



US00D430988S

United States Patent [19]

Cruz et al.

[11] Patent Number: **Des. 430,988**

[45] Date of Patent: **** Sep. 19, 2000**

[54] TOASTER END PANELS

[75] Inventors: **Anthony V. Cruz**, Calabasas, Calif.;
James R. Gaynor; **John D. Barnes**,
both of Richmond, Va.

[73] Assignee: **Hamilton Beach/Proctor-Silex, Inc.**,
Glen Allen, Va.

[**] Term: **14 Years**

[21] Appl. No.: **29/104,729**

[22] Filed: **May 11, 1999**

[51] **LOC (7) Cl.** **07-02**

[52] **U.S. Cl.** **D7/390**

[58] **Field of Search** D7/328-330, 390;
99/385, 389

[56] References Cited

U.S. PATENT DOCUMENTS

D. 176,275	12/1955	May	D7/330
D. 328,833	8/1992	Myers et al.	D7/330
D. 409,438	5/1999	Brady	D7/390
2,877,702	3/1959	Turner	99/329
4,136,607	1/1979	Mitsuo et al.	99/329

OTHER PUBLICATIONS

See Information Disclosure Statement regarding offer for sale less than one year prior to filing date of present application.

Primary Examiner—Caron D. Veynar
Attorney, Agent, or Firm—Roger S. Dybvig

[57] CLAIM

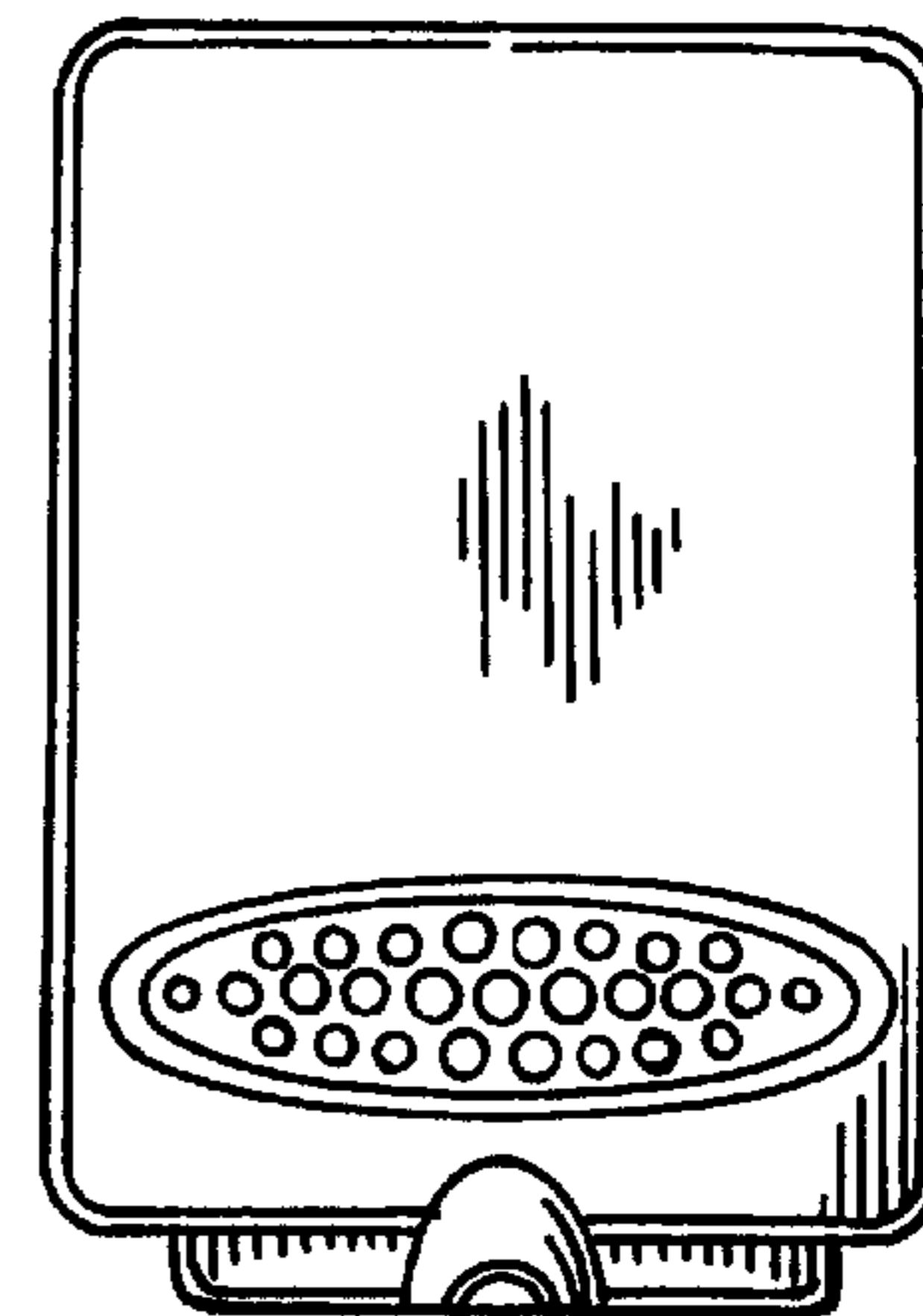
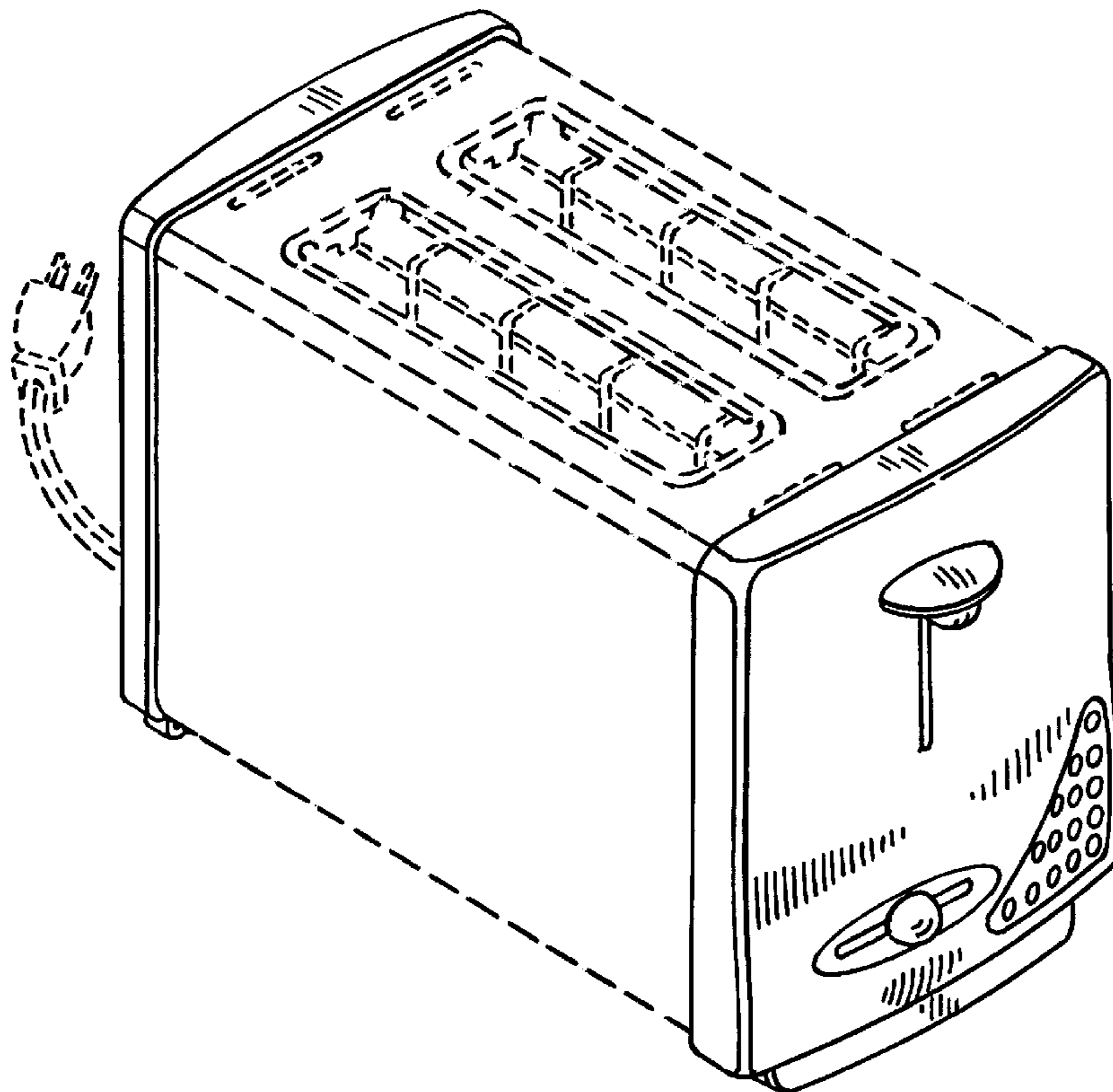
The ornamental design for toaster end panels, as shown and described.

DESCRIPTION

FIG. 1 is a perspective view as seen from the top, front, and left side of toaster end panels showing our new design; FIG. 2 is a left side elevational view thereof; FIG. 3 is a right side elevational view thereof; FIG. 4 is a front elevational view thereof; FIG. 5 is a rear elevational view thereof; FIG. 6 is a top plan view thereof; and, FIG. 7 is a bottom plan view thereof.

The broken lines in FIGS. 1 through 7 showing the power cord and toaster body are used for illustrative purposes only and form no part of the claimed design.

1 Claim, 3 Drawing Sheets



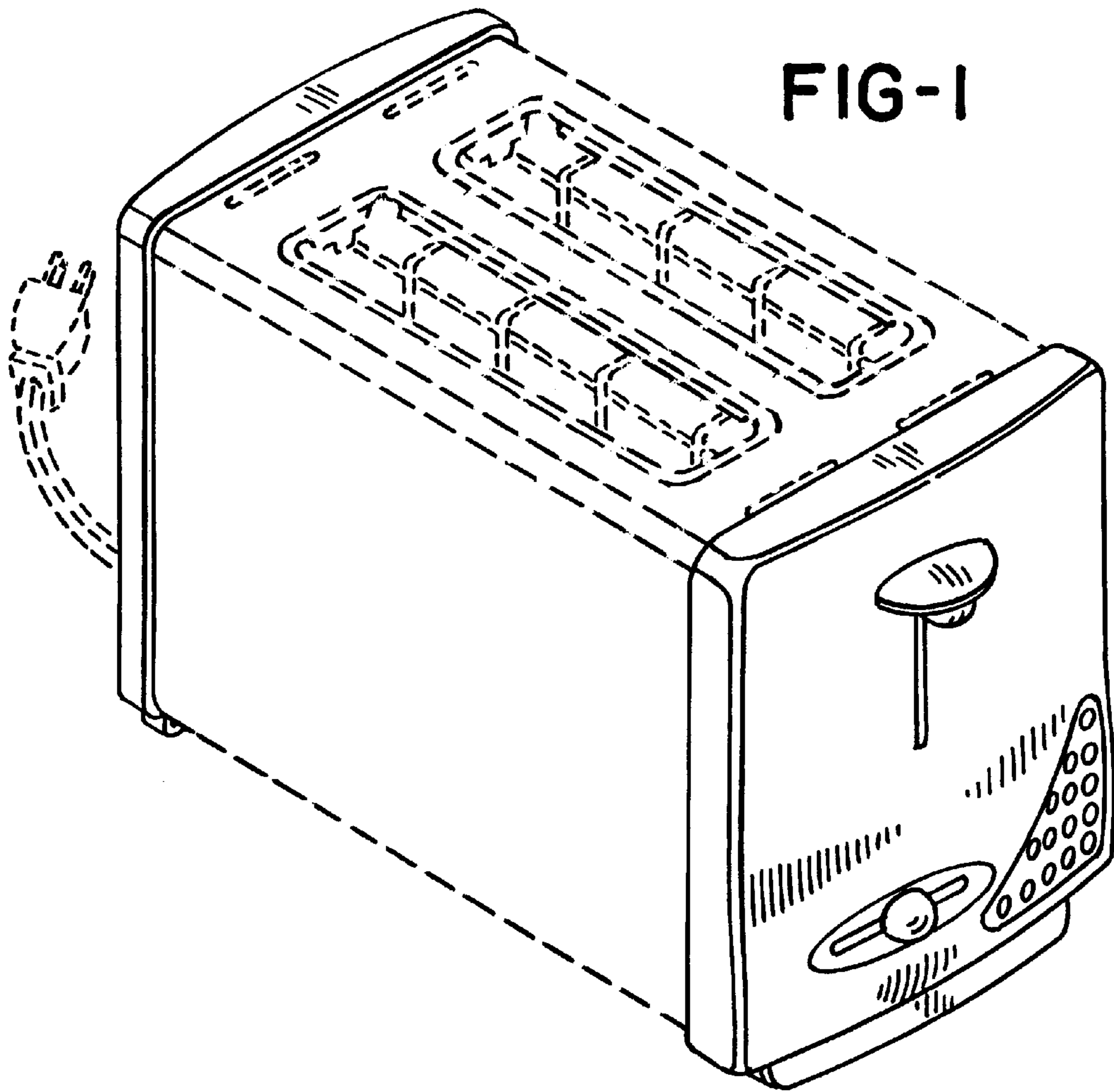


FIG-2



FIG-3

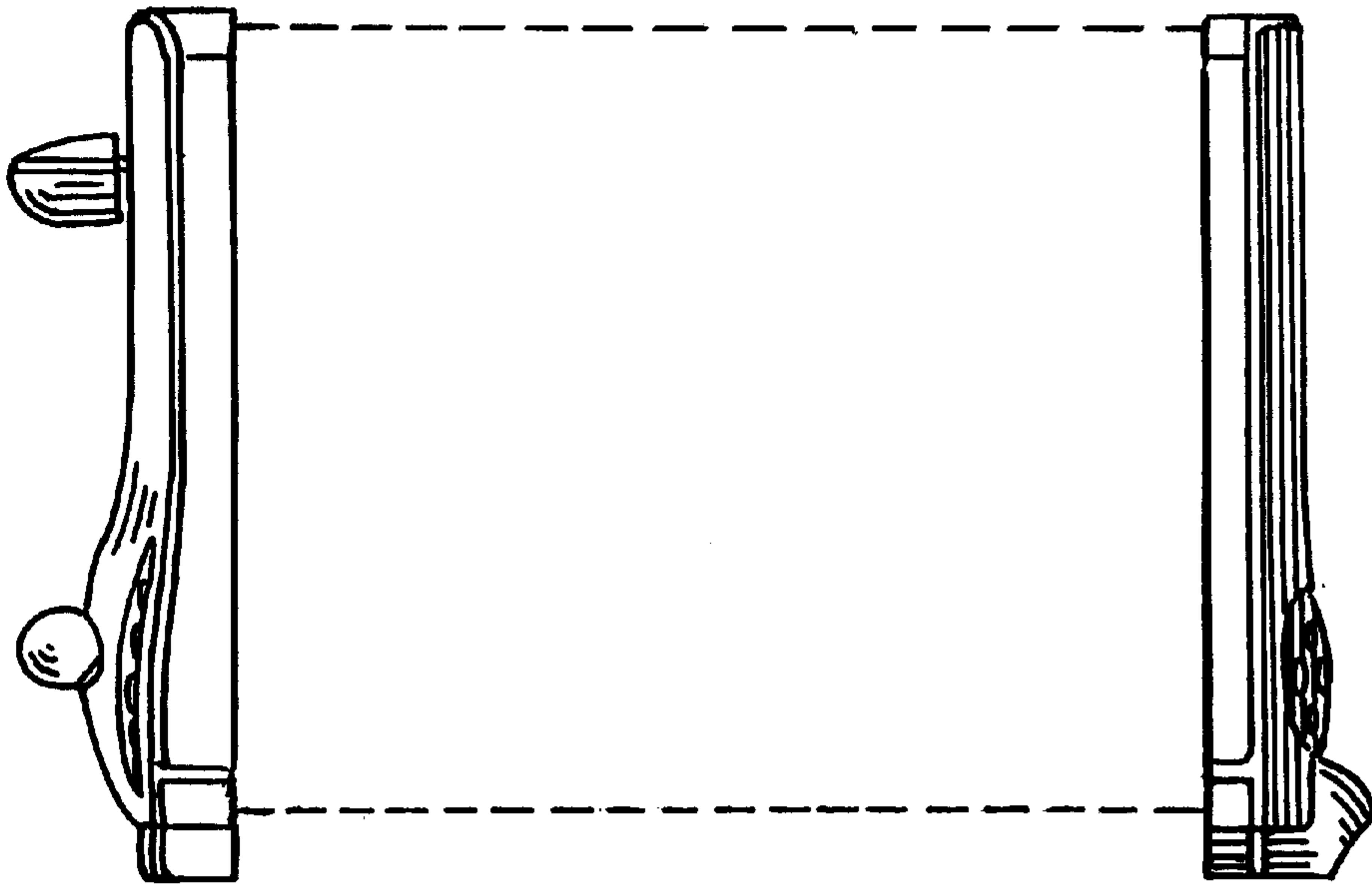


FIG-4

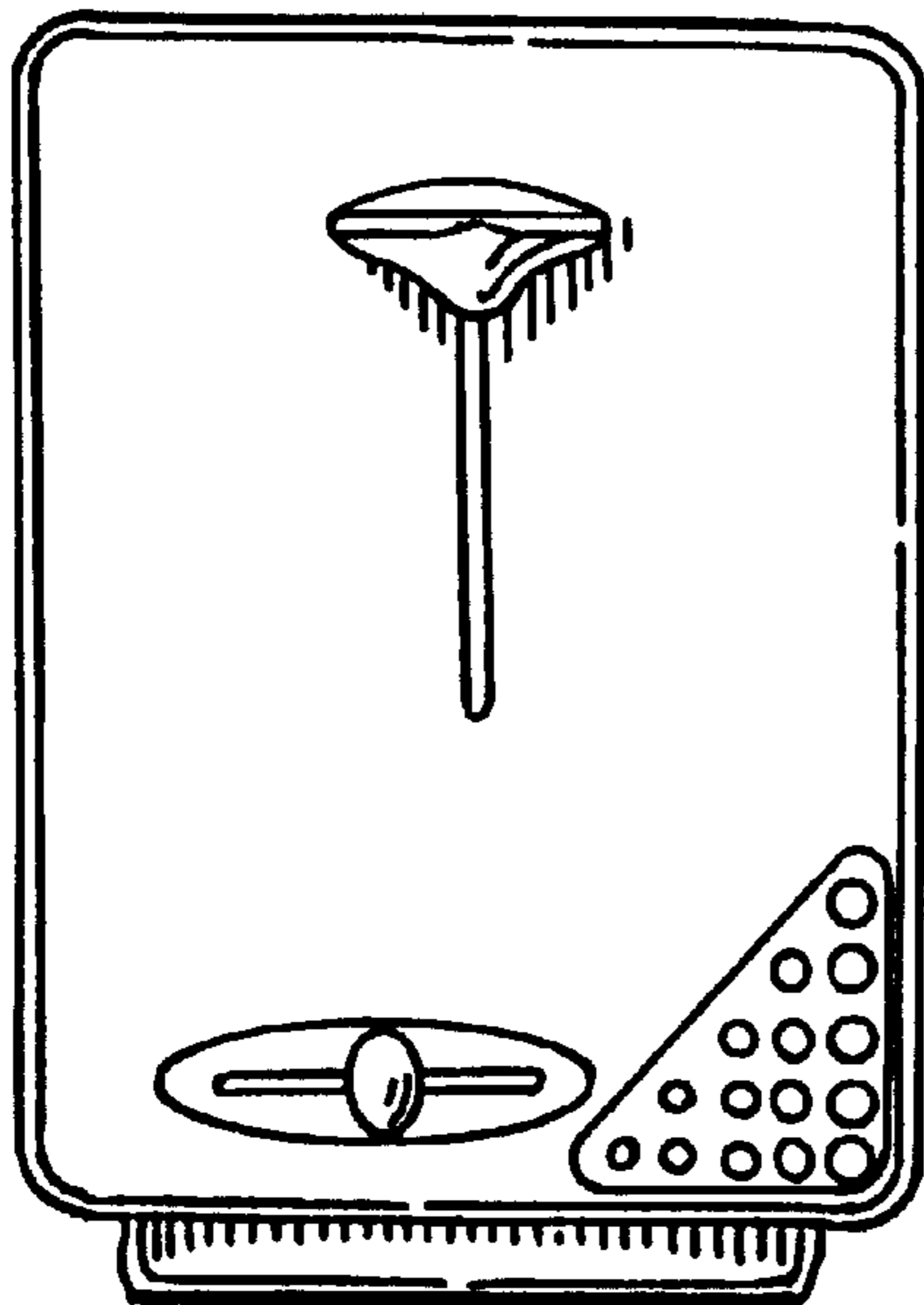


FIG-5

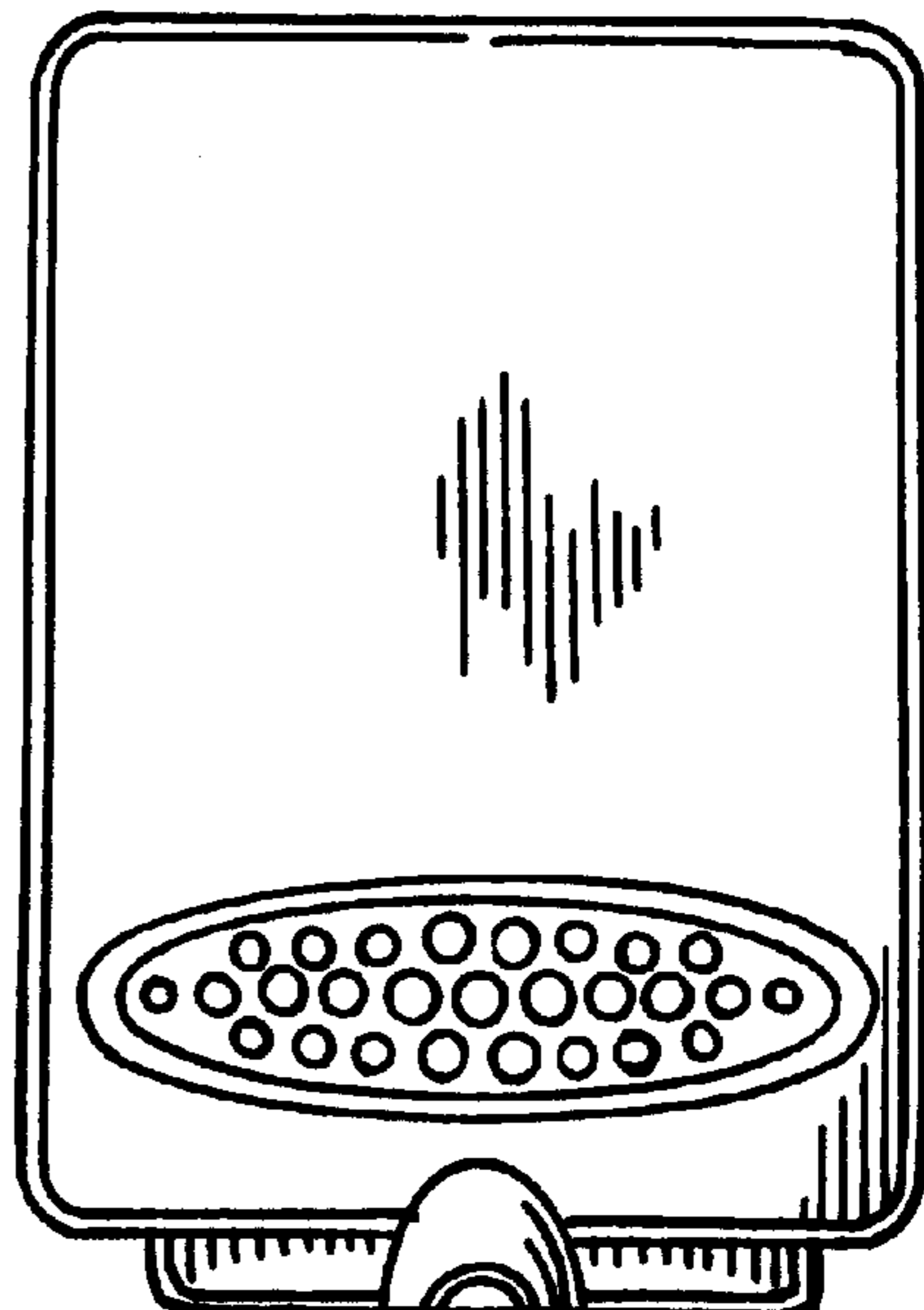


FIG-6

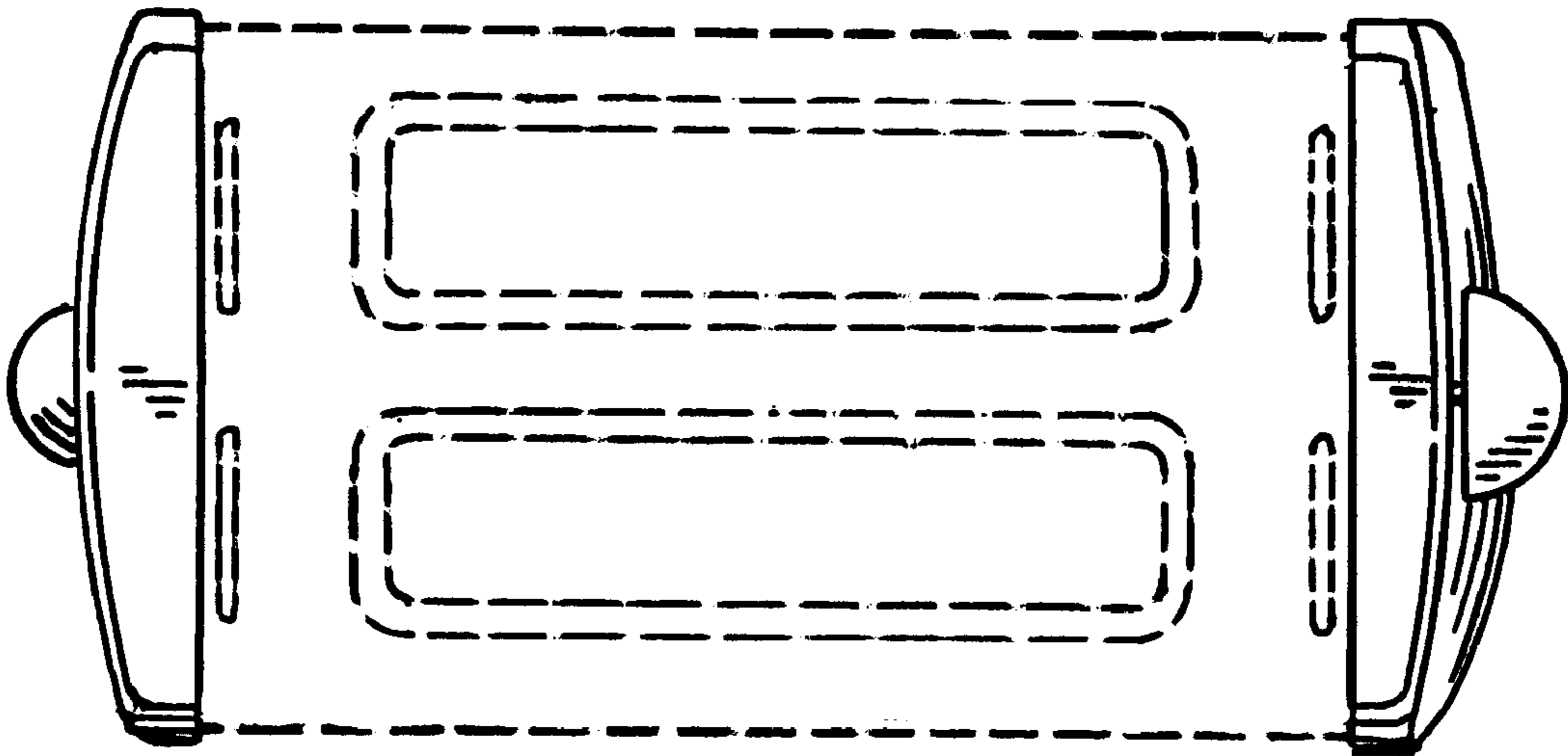


FIG-7

