



US00D430987S

United States Patent [19]

[11] Patent Number: **Des. 430,987**

Brandel et al.

[45] Date of Patent: **** Sep. 19, 2000**

[54] **FOOD WASTE DISPOSER**

[75] Inventors: **Robert L Brandel**, Brookfield; **John Komar, Jr.**, Franksville; **Scott W Anderson**, Racine, all of Wis.; **Kenneth R Parker; Jonathan P Van Dore**, both of Minneapolis, Minn.

[73] Assignee: **Emerson Electric Co.**, St. Louis, Mo.

[**] Term: **14 Years**

[21] Appl. No.: **29/082,739**

[22] Filed: **Jan. 29, 1998**

[51] **LOC (7) Cl.** **07-02**

[52] **U.S. Cl.** **D7/375**

[58] **Field of Search** D7/372, 375; 241/46.013, 241/46.014, 46.015, 46.016; 4/DIG. 4, 629; 222/421, 465.1; 215/380, 48

[56] **References Cited**

U.S. PATENT DOCUMENTS

D. 194,128	11/1962	Hawkins	D7/375
D. 207,918	6/1967	Clark	D7/375
D. 212,127	8/1968	Smith	D7/375

D. 226,028	1/1973	Kennedy	D7/375
D. 237,299	10/1975	Pitts	D7/375
3,165,271	1/1965	Enright	241/300
4,717,031	1/1988	Hewson	215/384
5,127,587	7/1992	Johnson	241/46.013
5,249,749	10/1993	Krebsbach	241/46.016

Primary Examiner—Ruth McInroy
Attorney, Agent, or Firm—Ryan Kromholz & Manion, S.C.

[57] **CLAIM**

The ornamental design for a food waste disposer, as shown and described.

DESCRIPTION

FIG. 1 is a top front perspective view of a food waste disposer showing our new design; FIG. 2 is a top rear perspective view thereof; FIG. 3 is a front elevational view thereof; FIG. 4 is a side elevational view thereof; FIG. 5 is a rear elevational view thereof; FIG. 6 is a top plan view thereof; and, FIG. 7 is a bottom plan view thereof. the portion shown in broken lines in all views is for illustrative purposes only and forms no part of the claimed design.

1 Claim, 6 Drawing Sheets

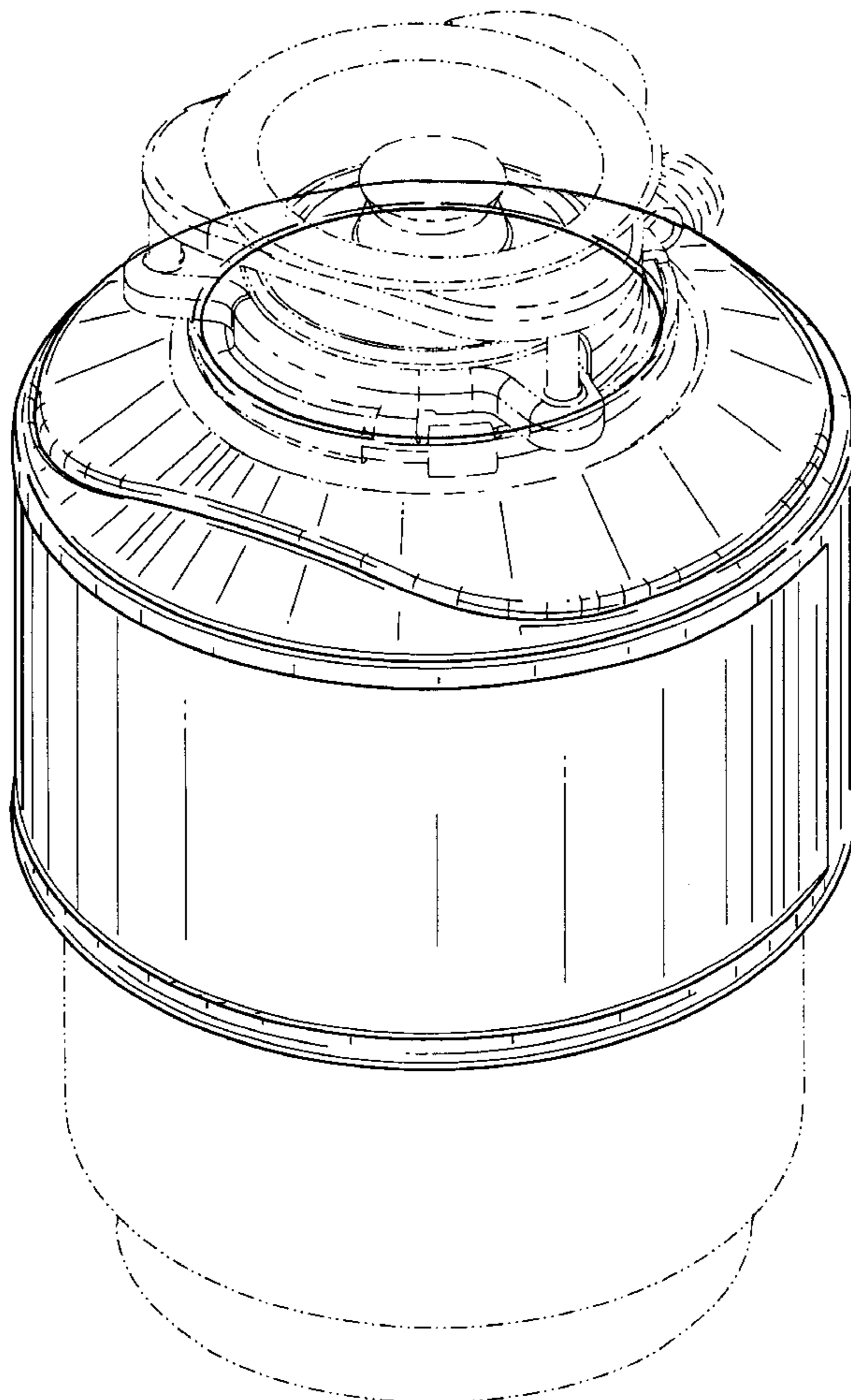


FIG. 1

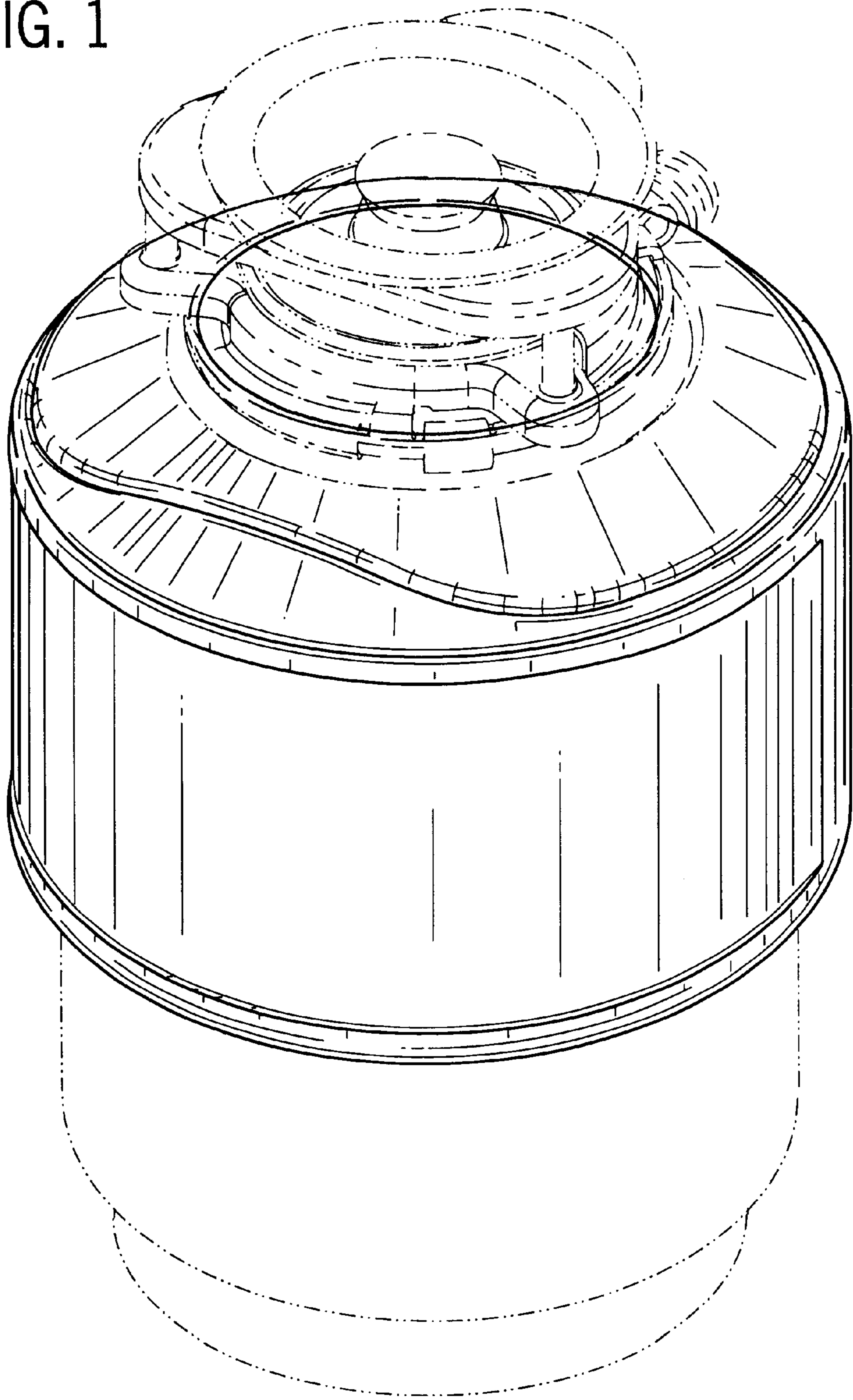


FIG. 2

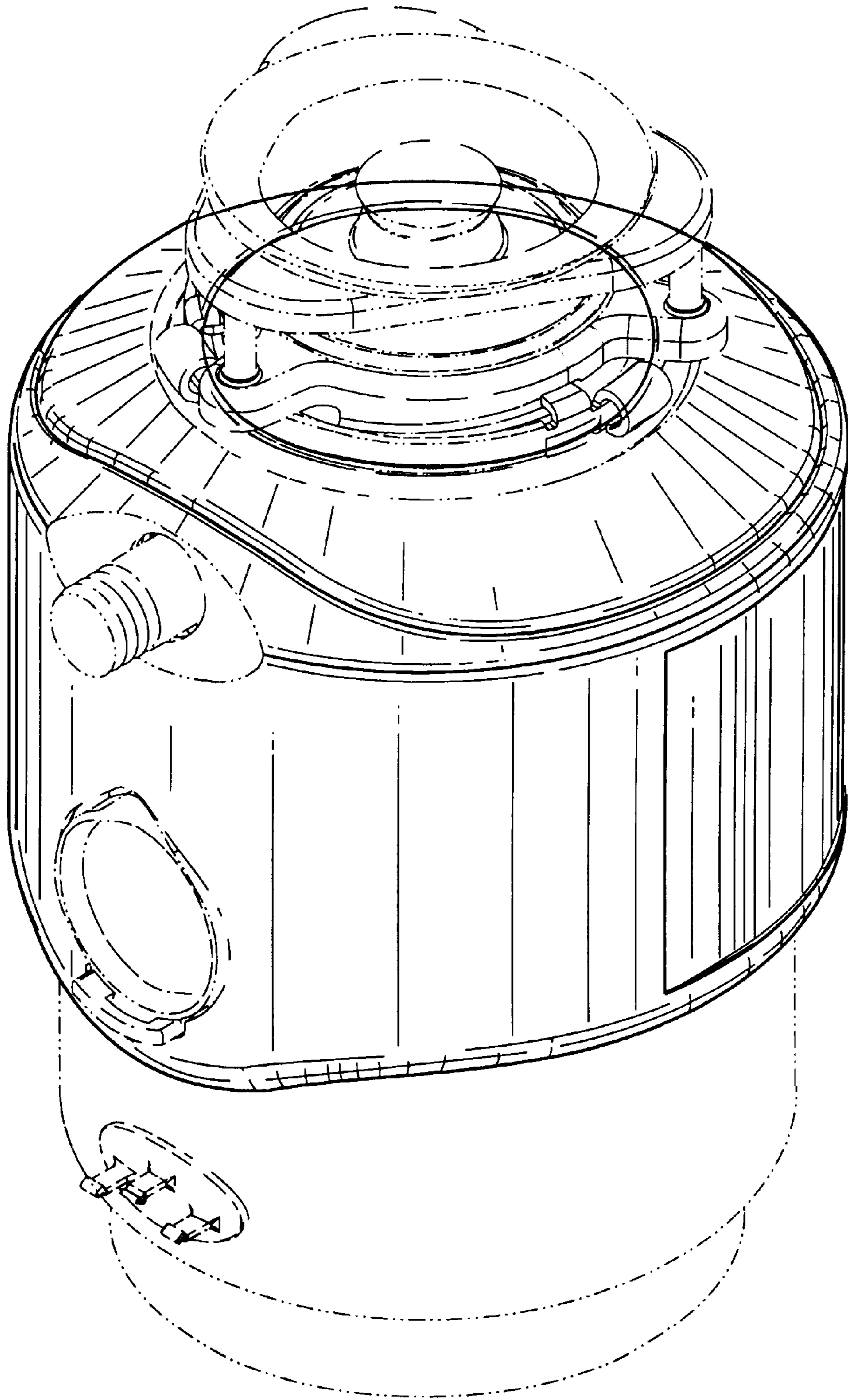


FIG. 3

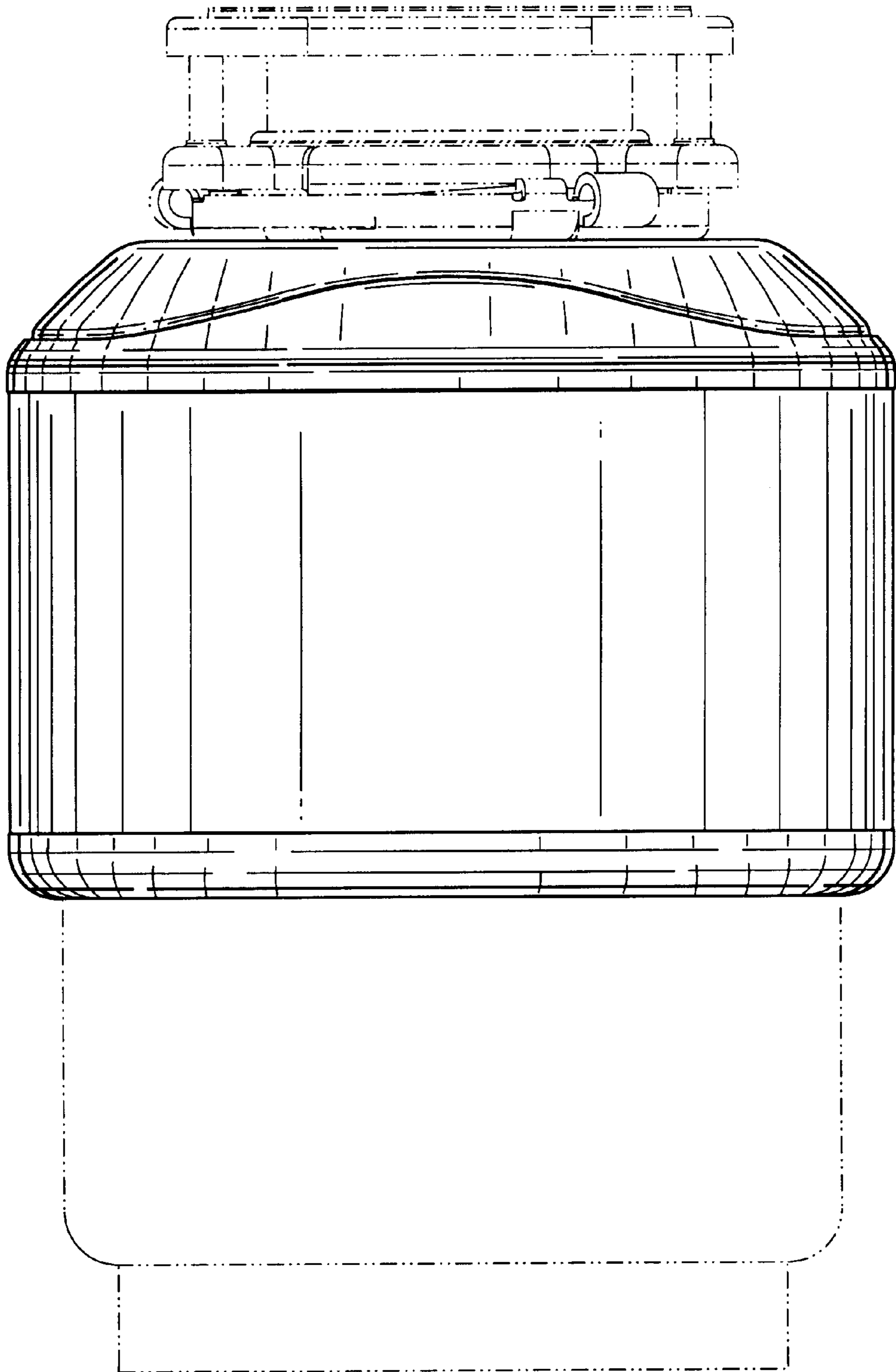


FIG. 4

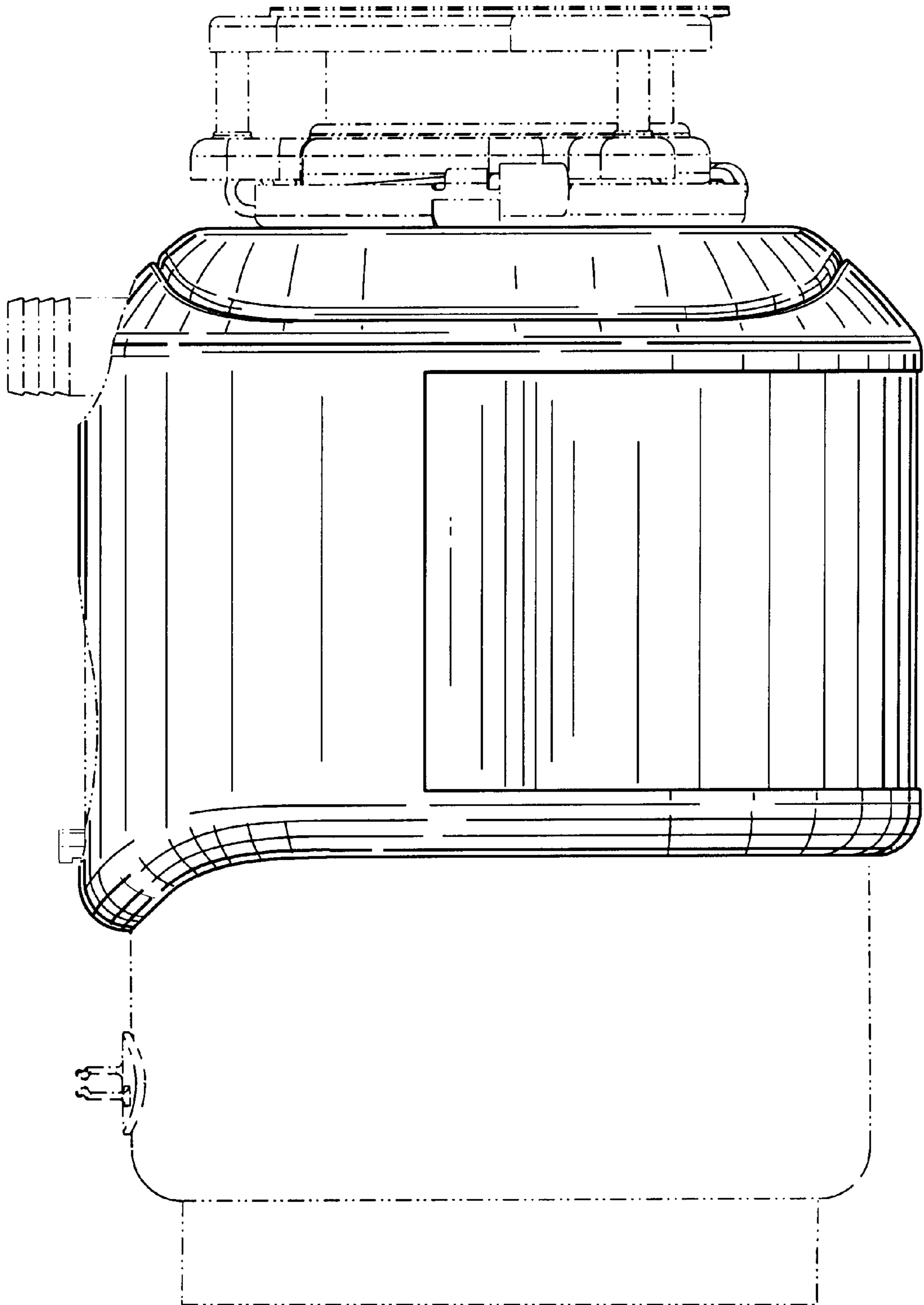


FIG. 5

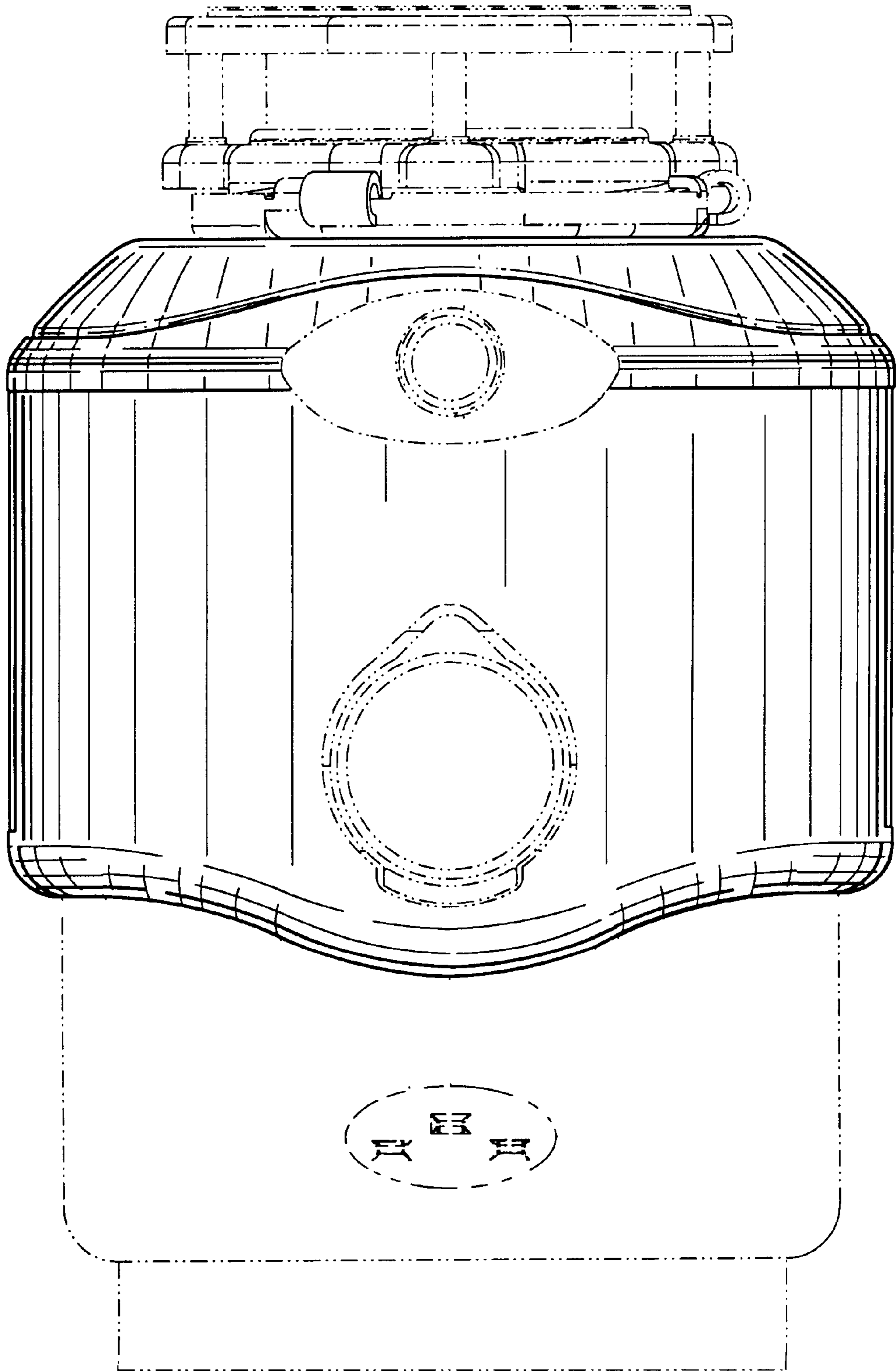


FIG. 6

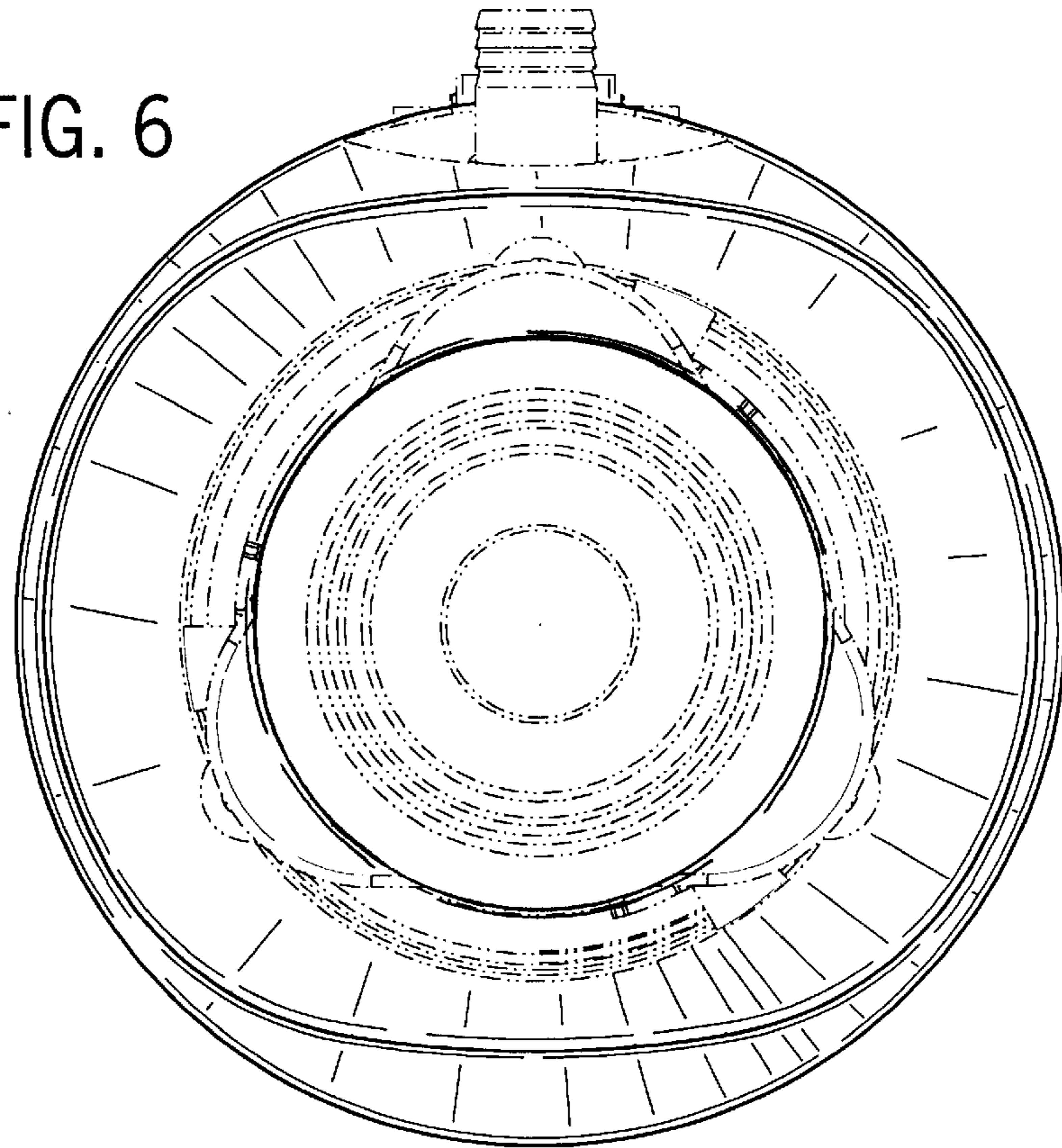


FIG. 7

