



US00D430984S

United States Patent [19]
Camarena

[11] **Patent Number: Des. 430,984**

[45] **Date of Patent: ** Sep. 19, 2000**

[54] **TOILET TISSUE ROLL CONTAINER**

[57] **CLAIM**

[76] **Inventor: George J. Camarena, 100 Kinross Dr. #40, Walnut Creek, Calif. 94598**

The ornamental design for a toilet tissue roll container, as shown and described.

[**] **Term: 14 Years**

DESCRIPTION

[21] **Appl. No.: 29/117,392**

FIG. 1 is a perspective view of a toilet tissue roll container in the closed position.

[22] **Filed: Jan. 21, 2000**

FIG. 2 is a perspective view of the toilet tissue roll container, in the open position, in full lines with a roll of toilet tissue shown in broken lines representing environmental association matter being for illustrative purposes only and forming no part of the claimed invention.

[51] **LOC (7) Cl. 20-02**

[52] **U.S. Cl. D6/520**

FIG. 3 is a cross sectional view of the toilet tissue roll container, in the closed position, in full lines with rolls of toilet tissue shown in broken lines representing environmental association matter being for illustrative purposes only and forming no part of the claimed invention.

[58] **Field of Search D6/518, 520, 523; 206/804, 812, 389, 391; 242/560**

FIG. 4 is a front elevational view of the toilet tissue roll container in the closed position.

[56] **References Cited**

U.S. PATENT DOCUMENTS

D. 416,412	11/1999	Thomas	D6/520
D. 425,739	5/2000	Jones, Jr. et al.	D6/520
2,534,290	12/1950	Moskowitz	206/804 X
4,389,026	6/1983	Willa et al.	206/391 X

FIG. 5 is a rear elevational view thereof.

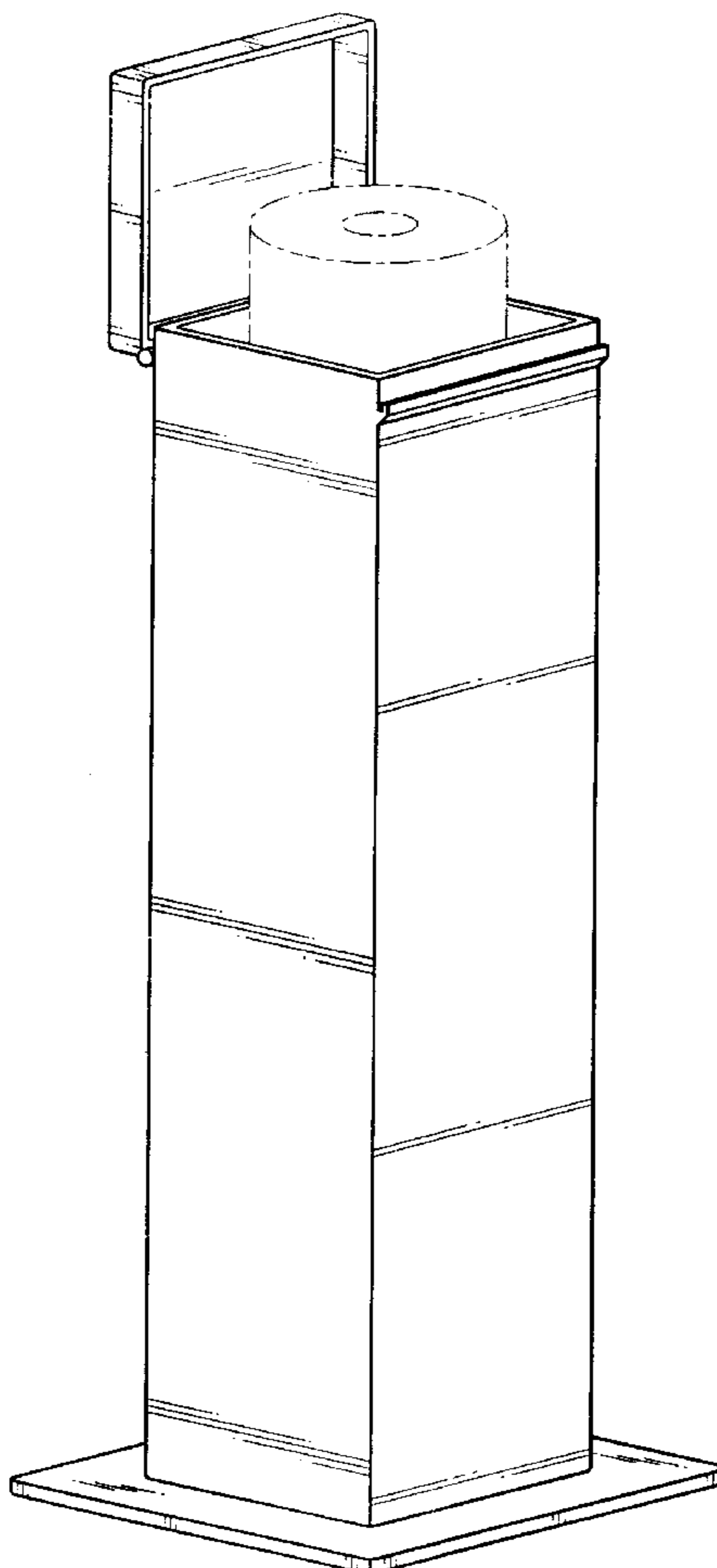
FIG. 6 is a left side elevational view thereof, the right side elevational view being a mirror image of the left side view.

FIG. 7 is a top plan view thereof; and,

FIG. 8 is a bottom plan view thereof.

Primary Examiner—Brian N. Vinson
Attorney, Agent, or Firm—Goldstein & Canino

1 Claim, 3 Drawing Sheets



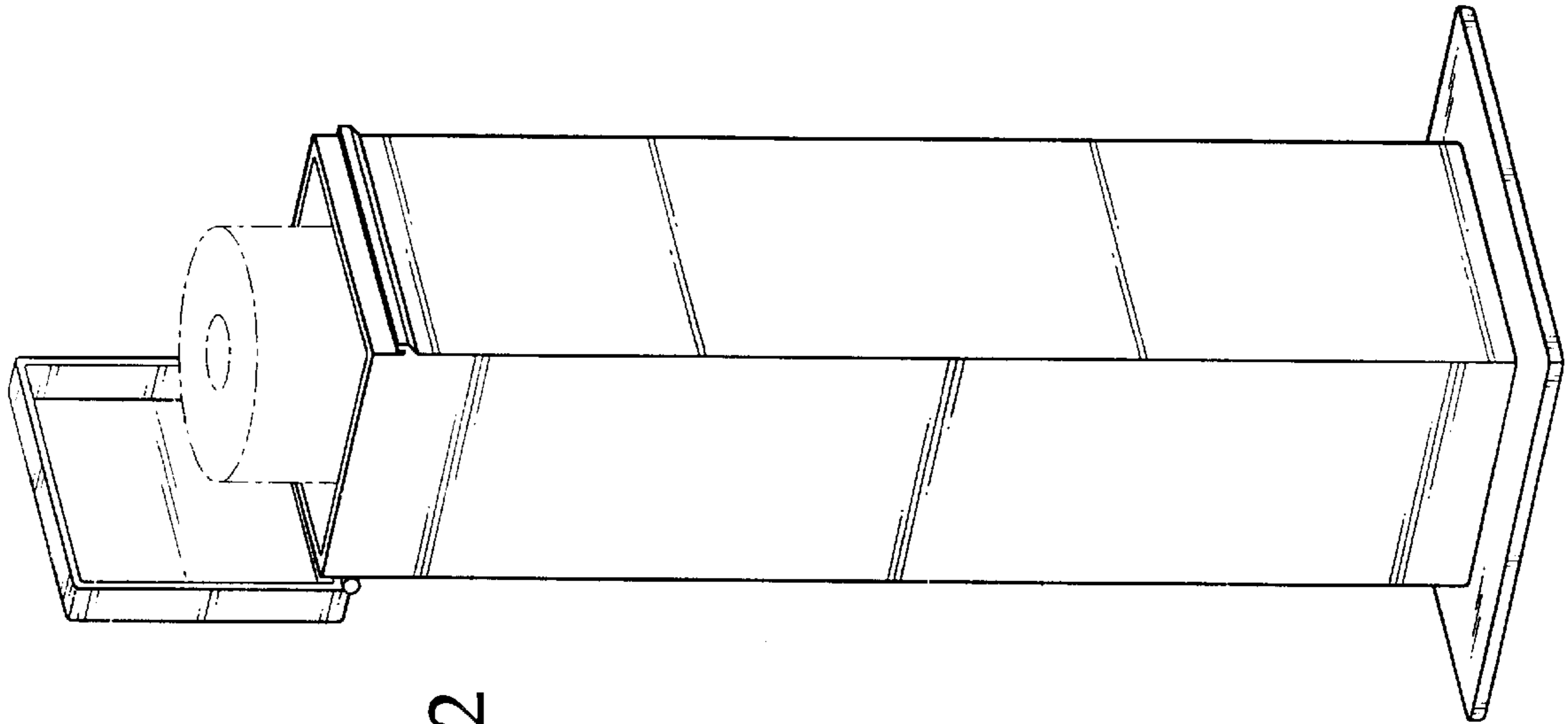


FIG. 2

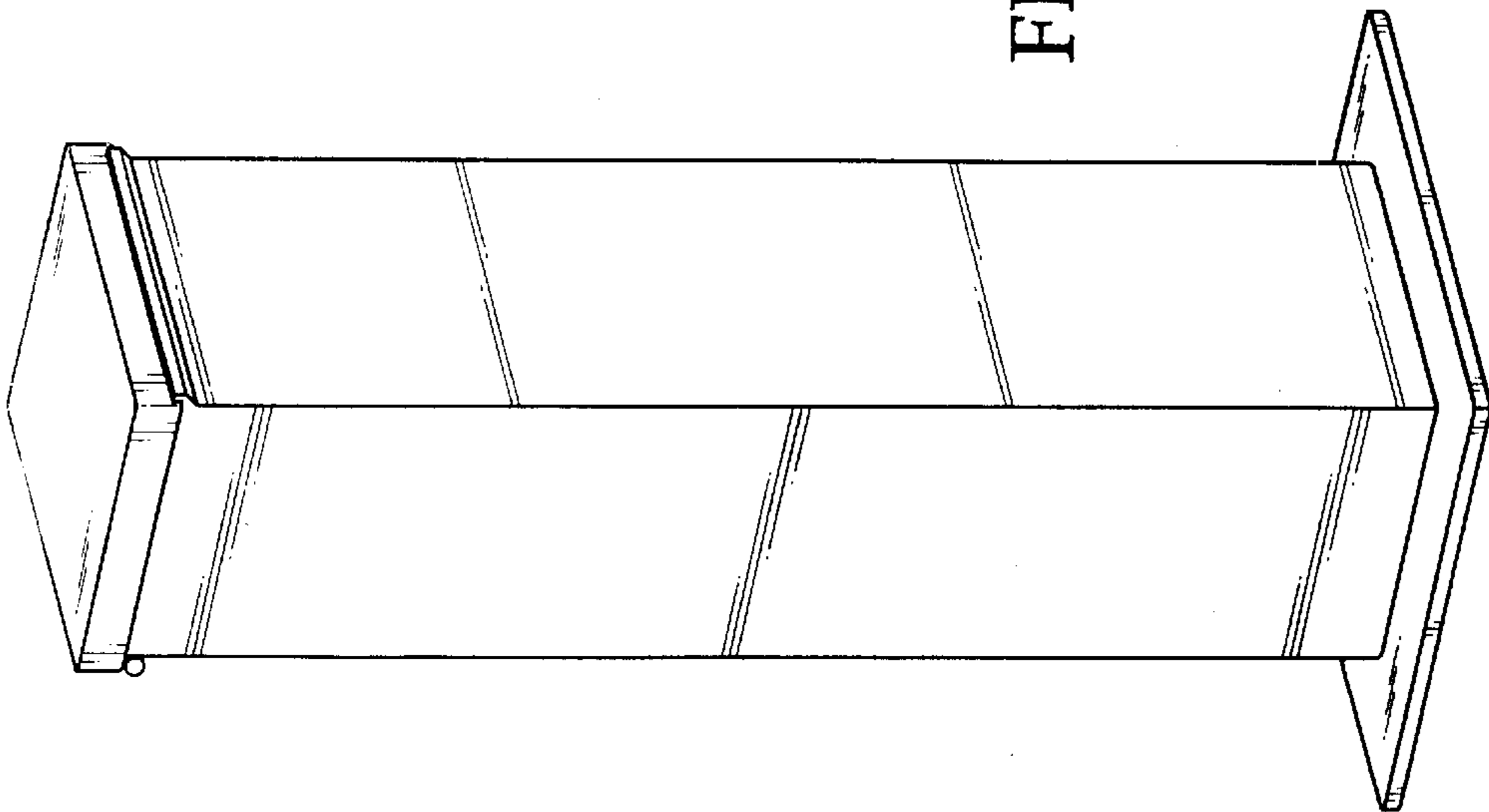


FIG. 1

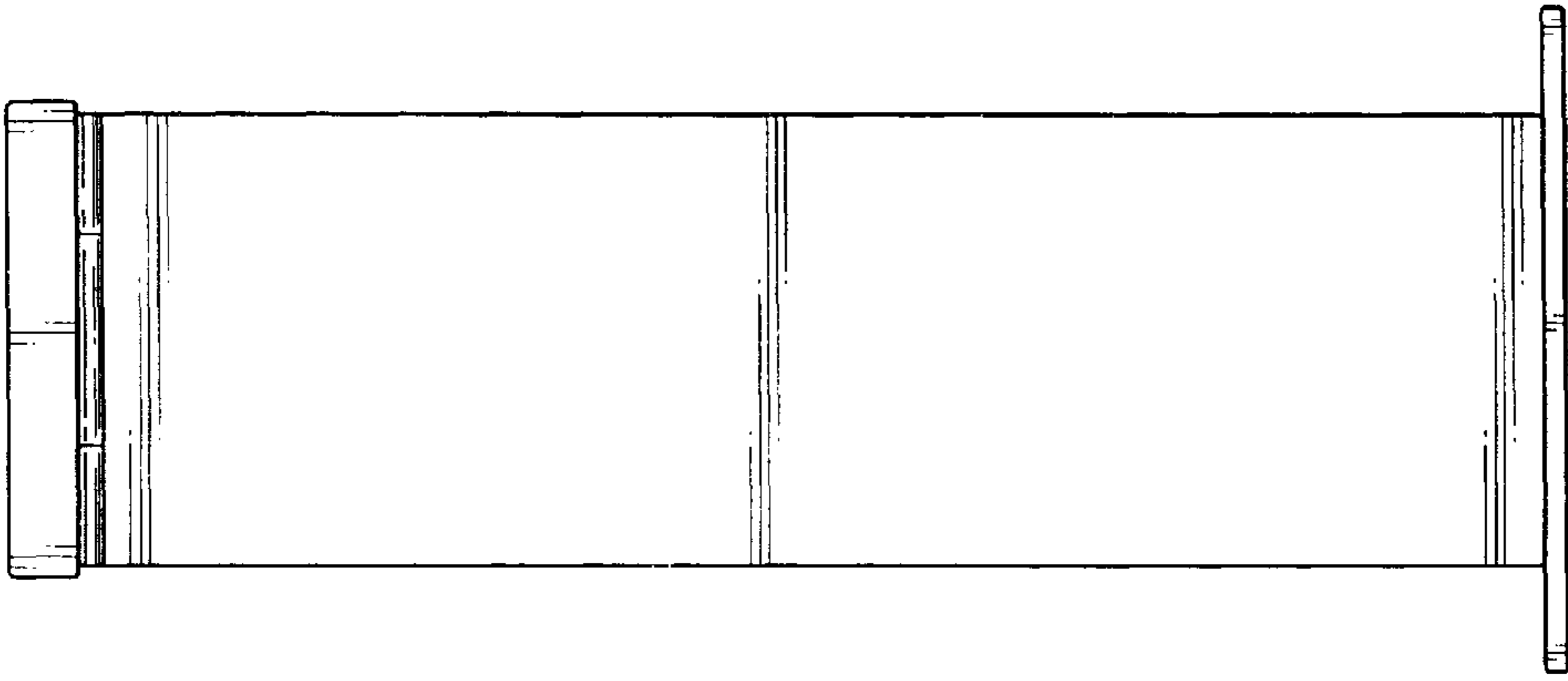


FIG. 5

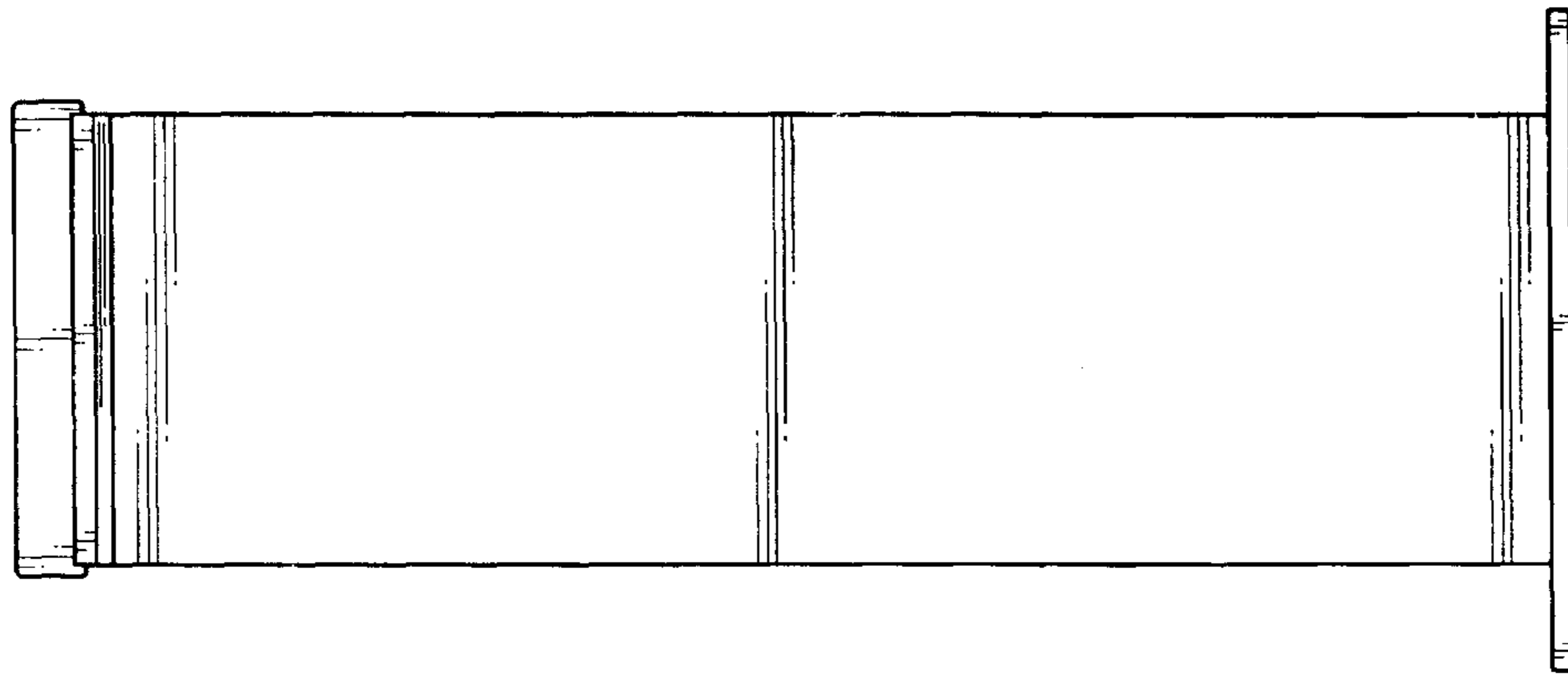


FIG. 4

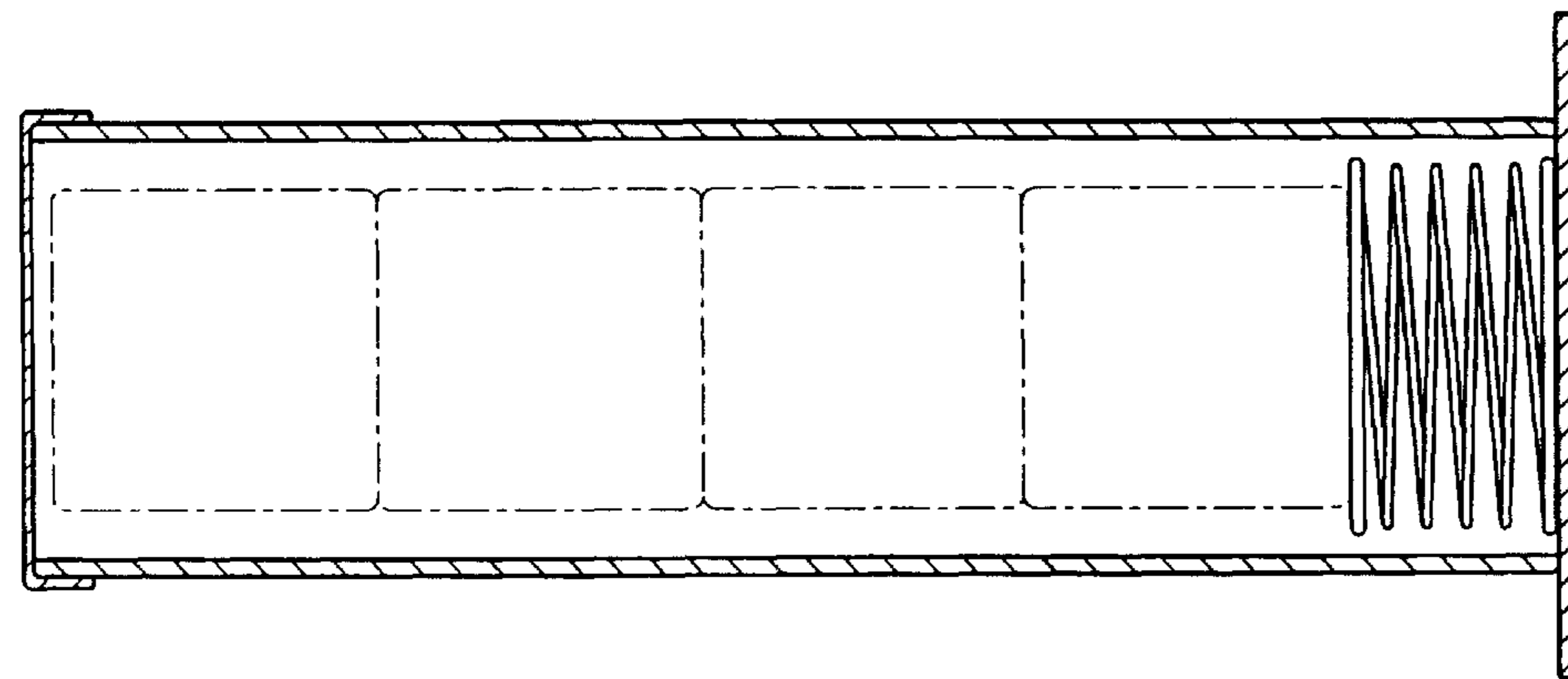


FIG. 3

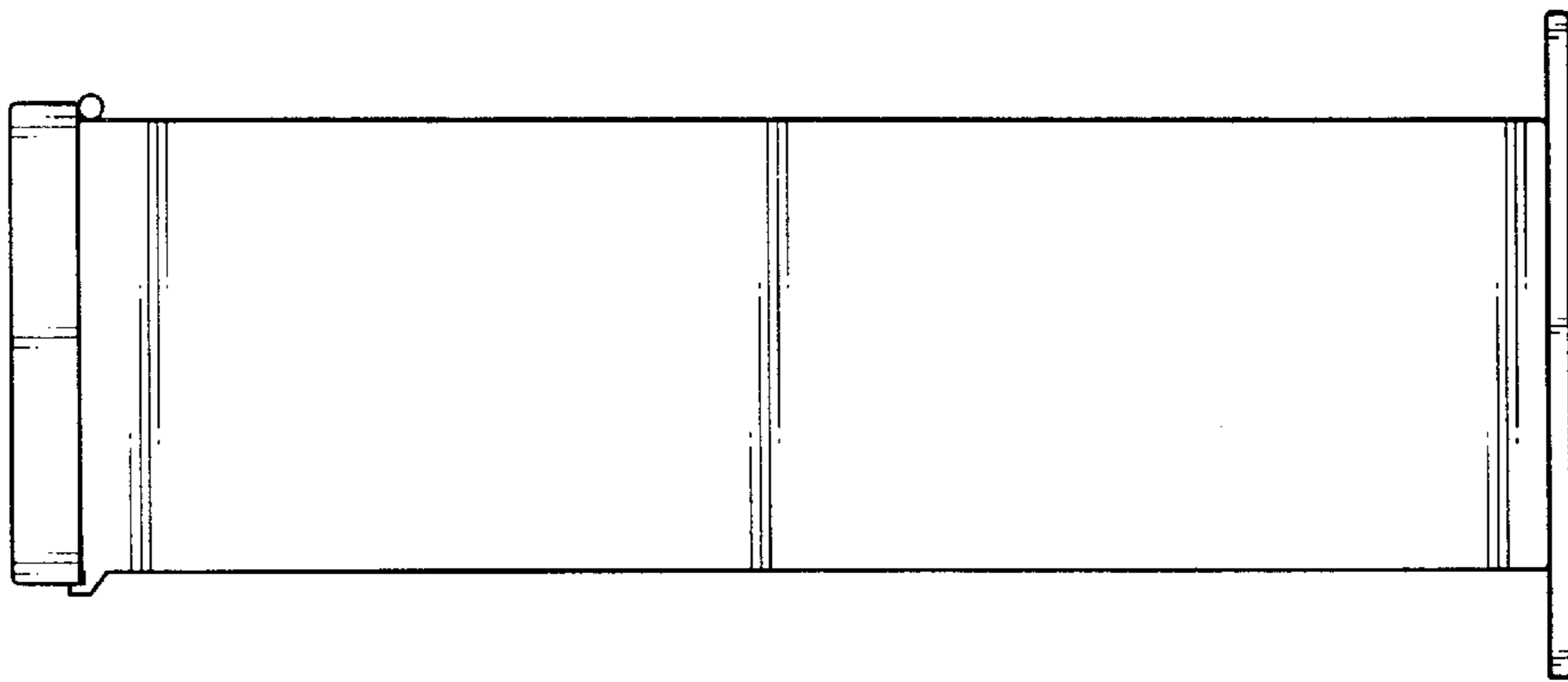
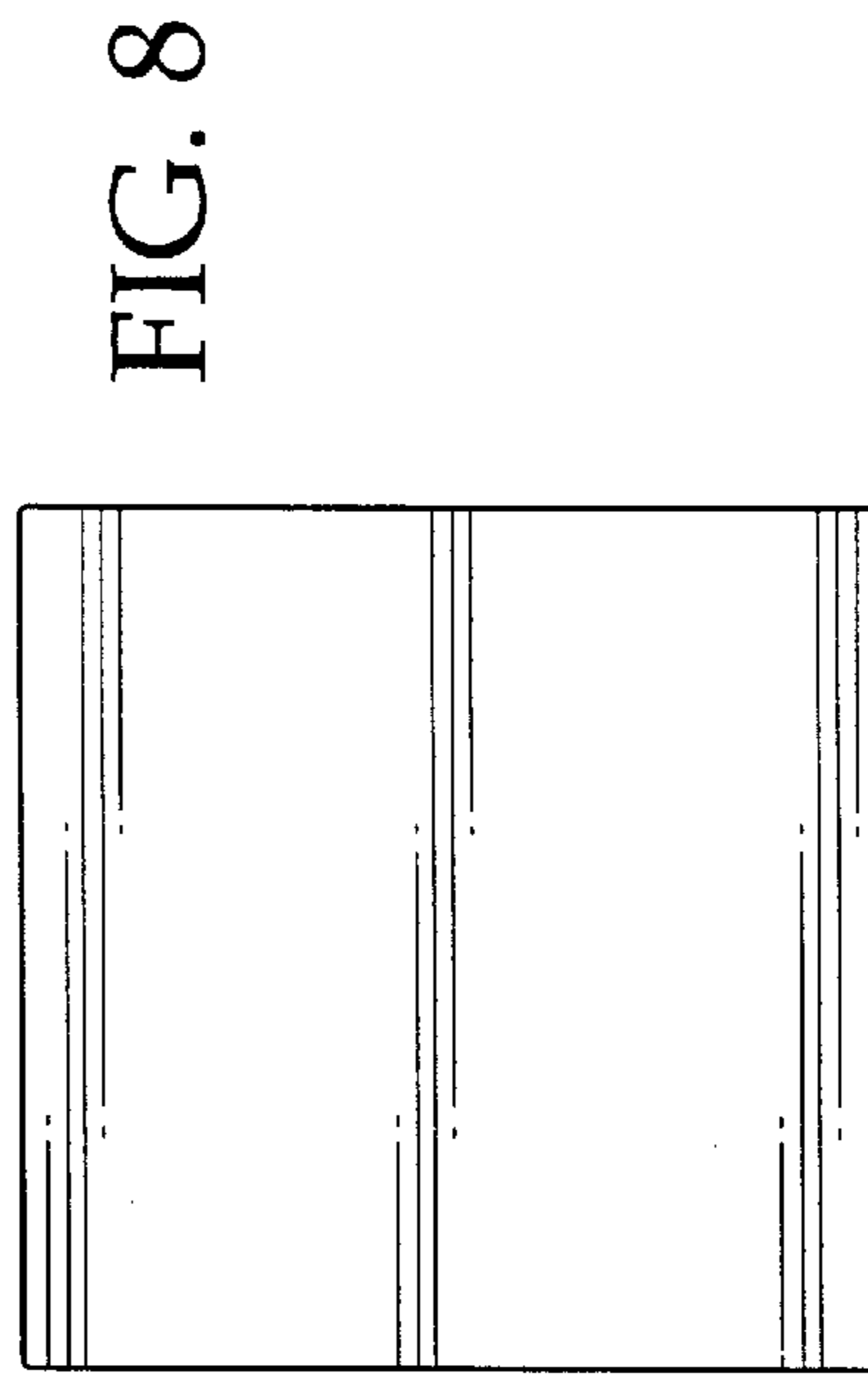
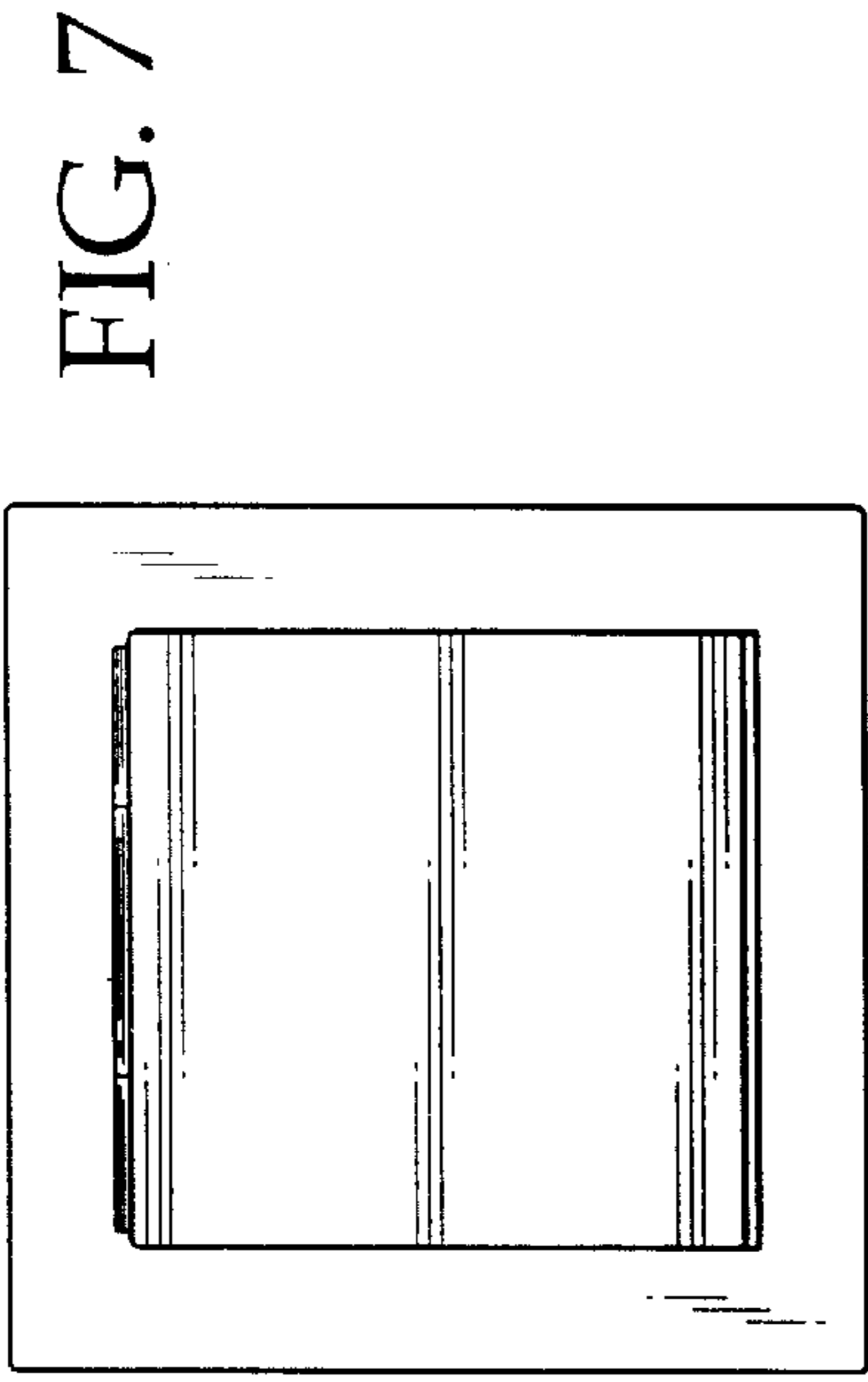


FIG. 6