



US00D430982S

United States Patent [19]

Kuo

[11] **Patent Number: Des. 430,982**

[45] **Date of Patent: ** Sep. 19, 2000**

[54] **CHAIR BASE**

[76] **Inventor: Hui-Ying Kuo**, No. 412, Sec. 2, Chung Cheng Rd., Hu Nei Hsiang, Kaohsiung Hsien, Taiwan

[**] **Term: 14 Years**

[21] **Appl. No.: 29/100,690**

[22] **Filed: Feb. 16, 1999**

[51] **LOC (7) Cl. 06-06**

[52] **U.S. Cl. D6/498**

[58] **Field of Search** D6/364, 365, 366, D6/367, 498, 500, 501, 502; 248/188, 188.1, 188.7, 188.8, 188.9; 297/411.2, 411.27, 411.28

[56] **References Cited**

U.S. PATENT DOCUMENTS

D. 304,399	11/1989	Caruso et al.	D6/498
D. 312,011	11/1990	Caruso et al.	D6/498
D. 321,299	11/1991	Caruso et al.	D6/498
D. 345,867	4/1994	Narita	D6/366

D. 359,396	6/1995	Schmid et al.	D6/366
D. 360,550	7/1995	Ford	D6/498
D. 366,377	1/1996	Perl	D6/498
D. 413,214	8/1999	Chu	D6/498
D. 414,629	10/1999	Perl	D6/498
D. 417,792	12/1999	Hansen et al.	D6/366

Primary Examiner—Gary D. Watson
Attorney, Agent, or Firm—Charles E. Baxley, Esq.

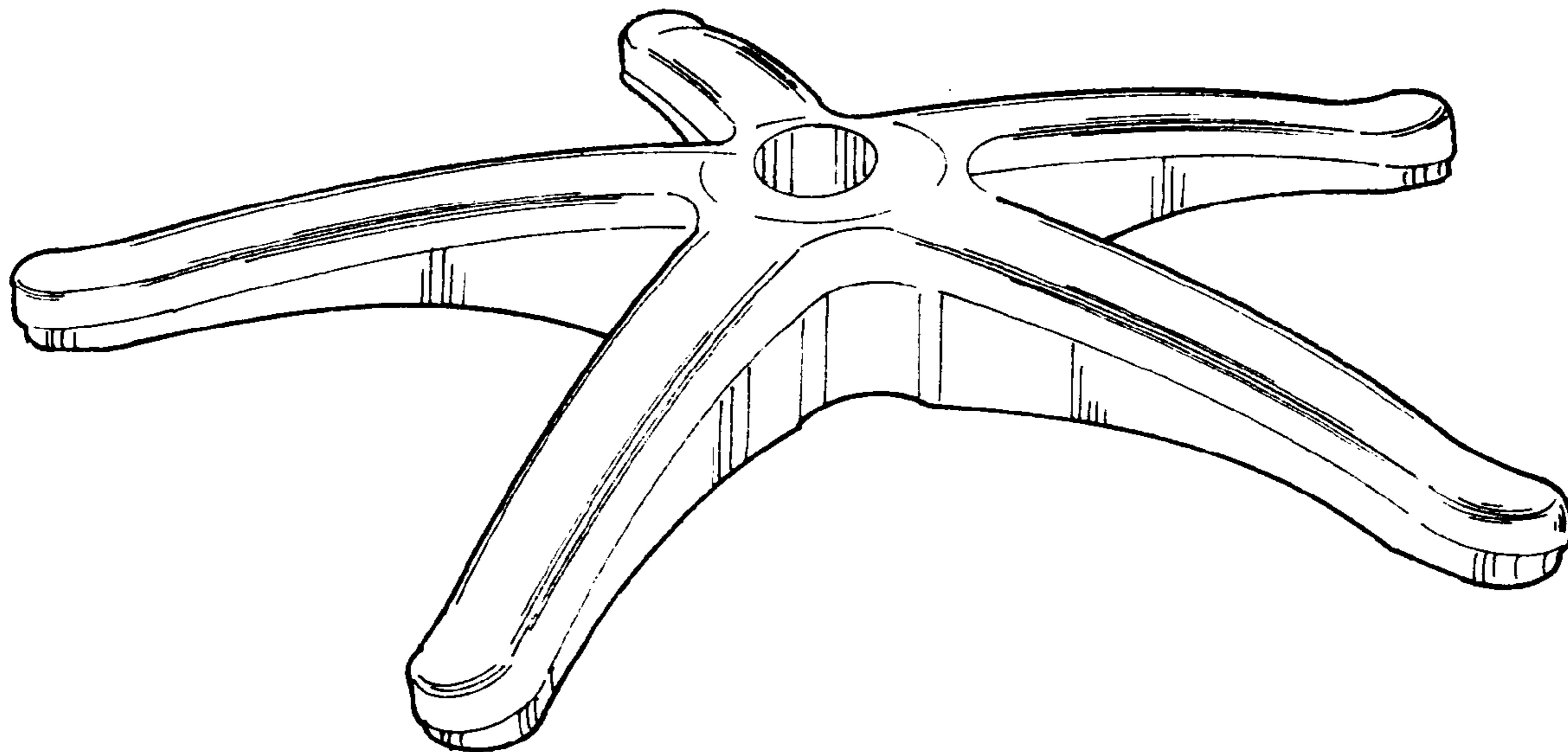
[57] **CLAIM**

The ornamental design for a chair base, as shown and described.

DESCRIPTION

FIG. 1 is a perspective view of a chair base showing my new design;
FIG. 2 is a front elevation view thereof;
FIG. 3 is a rear elevation view thereof;
FIG. 4 is a left side elevation view thereof;
FIG. 5 is a right side elevation view thereof;
FIG. 6 is a top plan view thereof; and,
FIG. 7 is a bottom plan view thereof.

1 Claim, 5 Drawing Sheets



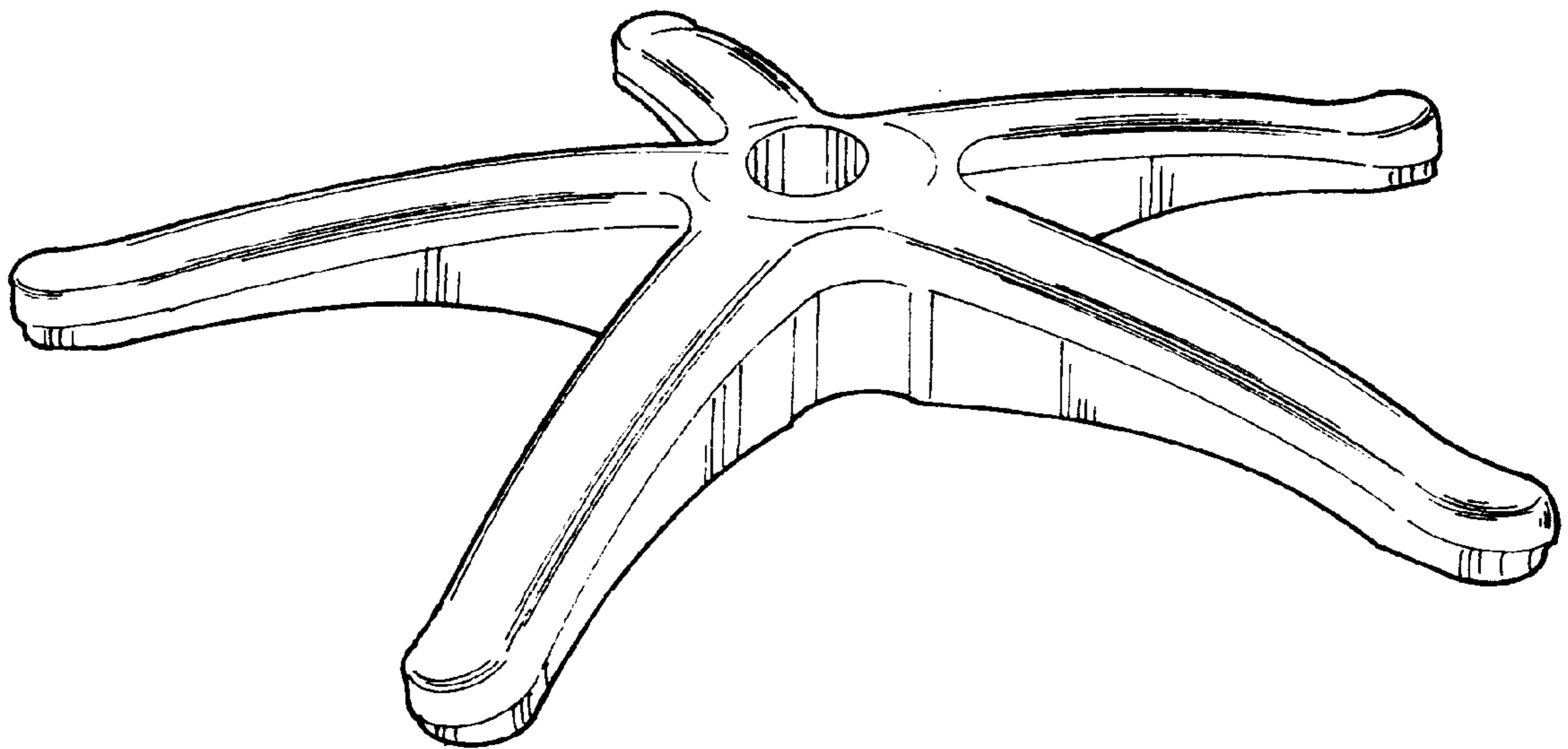


FIG. 1

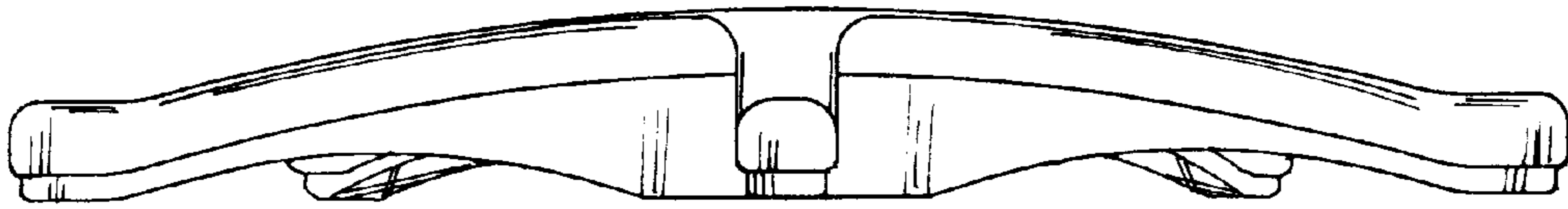


FIG. 2

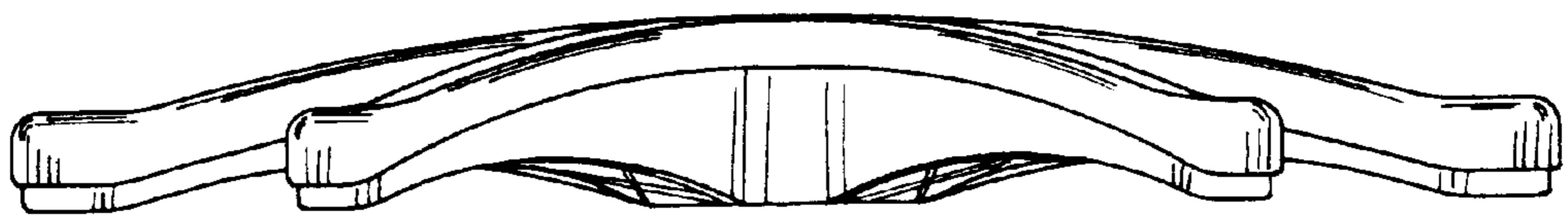


FIG. 3



FIG. 4

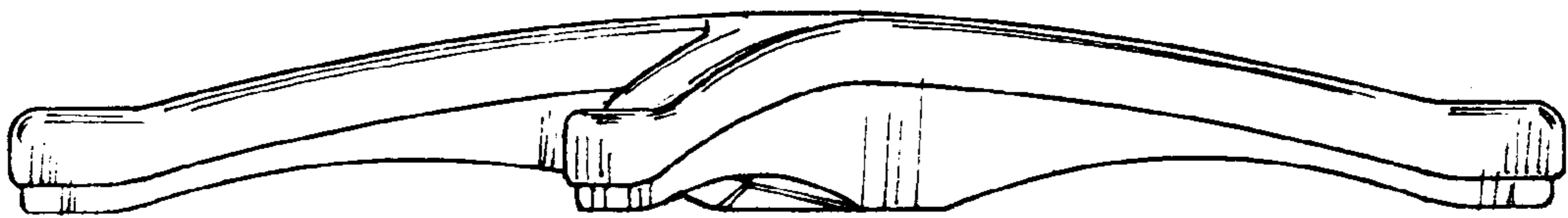


FIG. 5

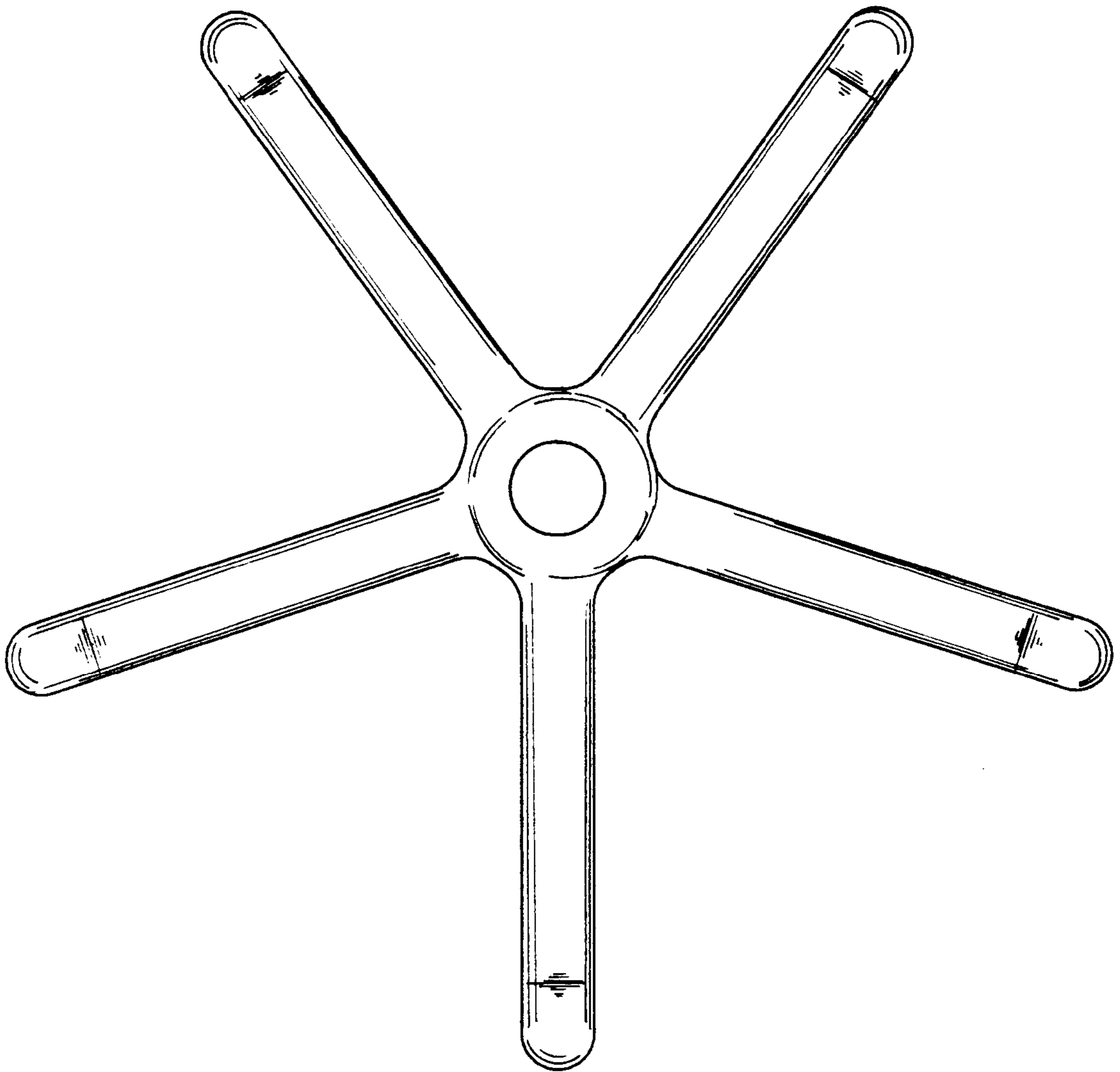


FIG. 6

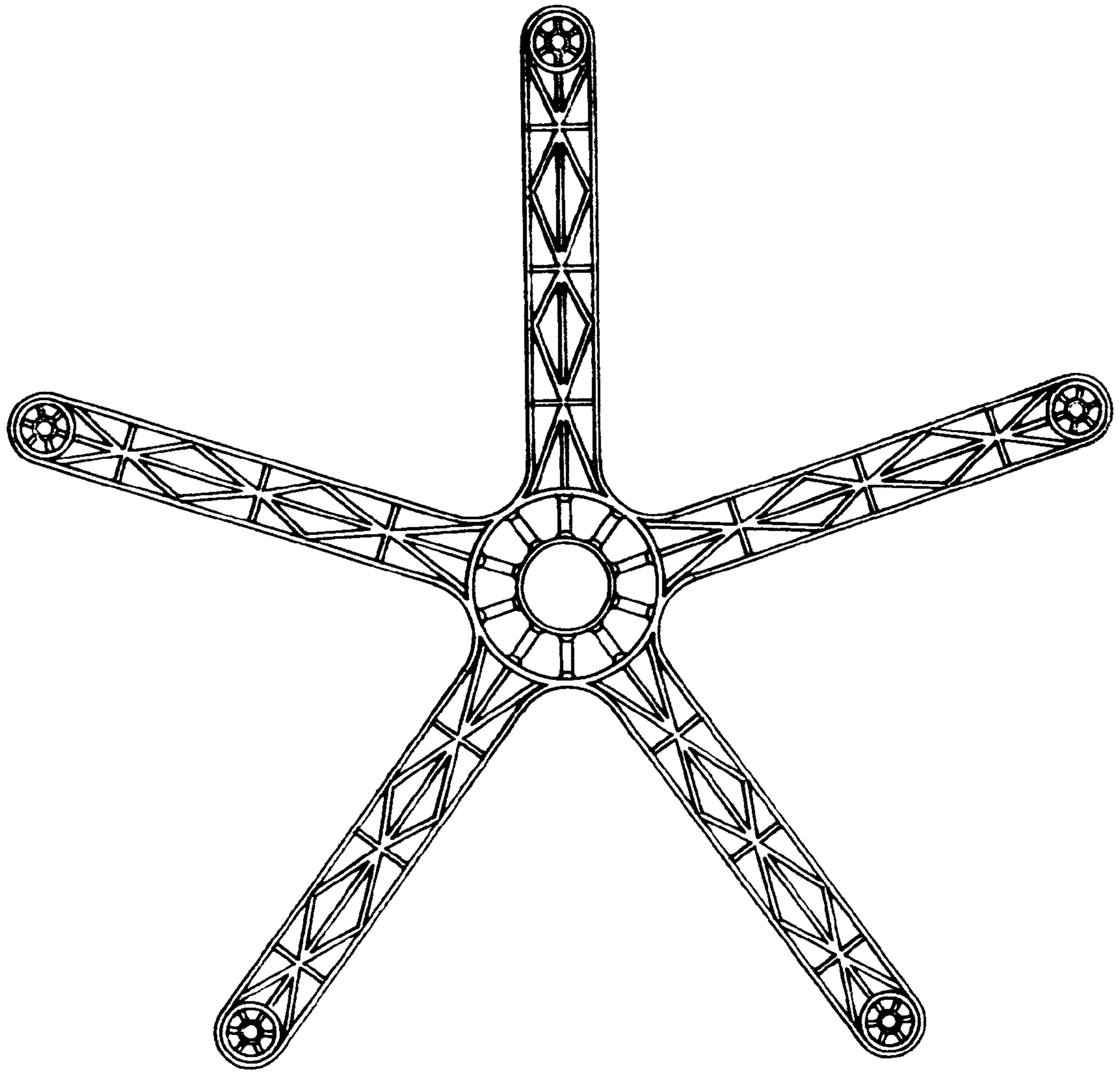


FIG. 7