



US00D430979S

**United States Patent** [19]  
**Brandenberg**

[11] **Patent Number: Des. 430,979**

[45] **Date of Patent: \*\* Sep. 19, 2000**

[54] **MODULAR DESK SYSTEM**

[76] Inventor: **Carl Brock Brandenburg**, 5800  
Monroe Hwy., Cresson, Tex. 76035

[\*\*] Term: **14 Years**

[21] Appl. No.: **29/116,360**

[22] Filed: **Dec. 30, 1999**

[51] **LOC (7) Cl.** ..... **06-04**

[52] **U.S. Cl.** ..... **D6/426; D6/423**

[58] **Field of Search** ..... D6/422-428, 480,  
D6/482, 484, 474, 477, 485; 312/194-196,  
204, 208.1; 108/50.01, 50.02

[56] **References Cited**

**U.S. PATENT DOCUMENTS**

|            |         |           |       |           |
|------------|---------|-----------|-------|-----------|
| D. 330,124 | 10/1992 | Short     | ..... | D6/422    |
| D. 367,775 | 3/1996  | Wood, Jr. | ..... | D6/423    |
| D. 400,371 | 11/1998 | Robinson  | ..... | D6/423    |
| 4,345,803  | 8/1982  | Heck      | ..... | 312/208.1 |

**OTHER PUBLICATIONS**

1988 Office Furniture Mart Catalog, p.35, #C desk 2nd from  
bottom at right.  
Modern Office, 1997, p.38, #B at left and center.

Modern Office, 1997, p.29, unit at top right.

*Primary Examiner*—Janice E. Seeger  
*Attorney, Agent, or Firm*—Melvin A. Hunn

[57] **CLAIM**

The ornamental design for a modular desk system, as shown  
and described.

**DESCRIPTION**

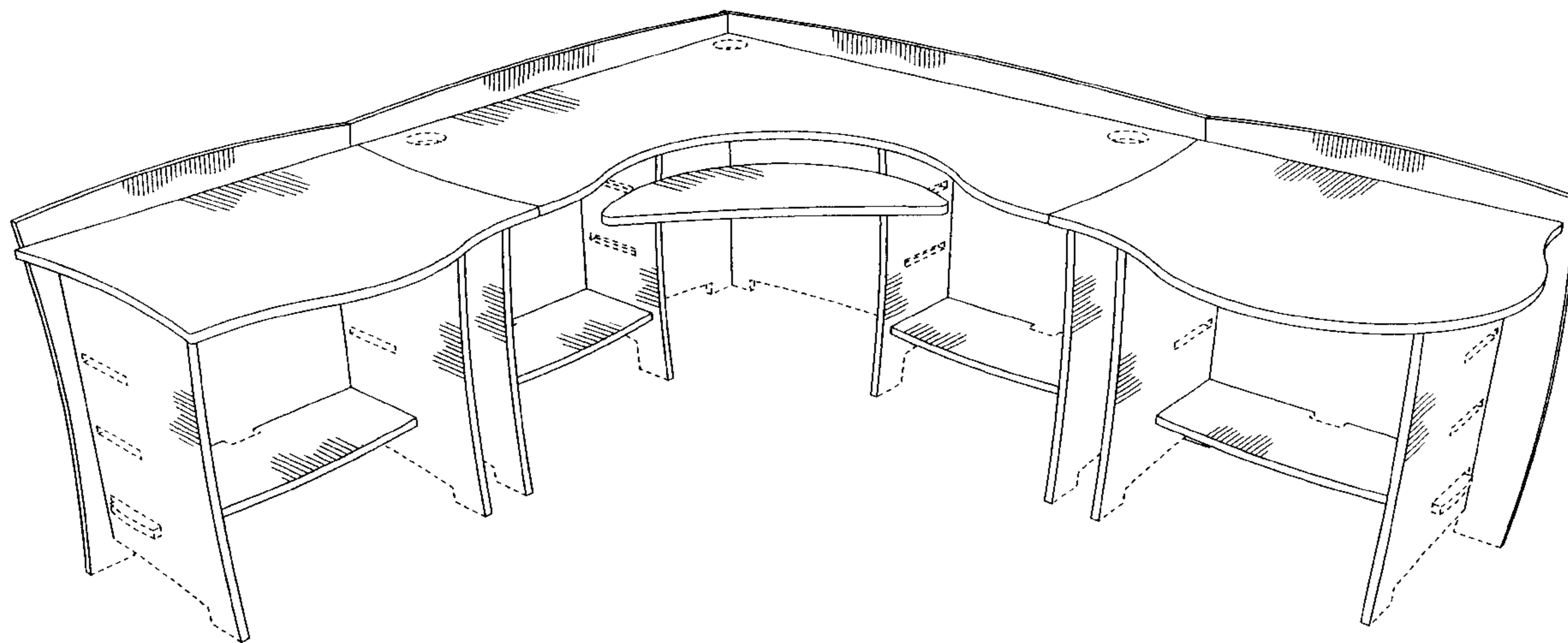
FIG. 1 is a perspective view of the front of the present  
invention.

FIG. 2 is a perspective view of the rear of the present  
invention; and,

FIG. 3 is a perspective view of the rear of the present  
invention.

The broken line structure shown in FIG. 1, 2 and 3 is for  
illustrative purposes only and forms no part of the claimed  
design.

**1 Claim, 3 Drawing Sheets**



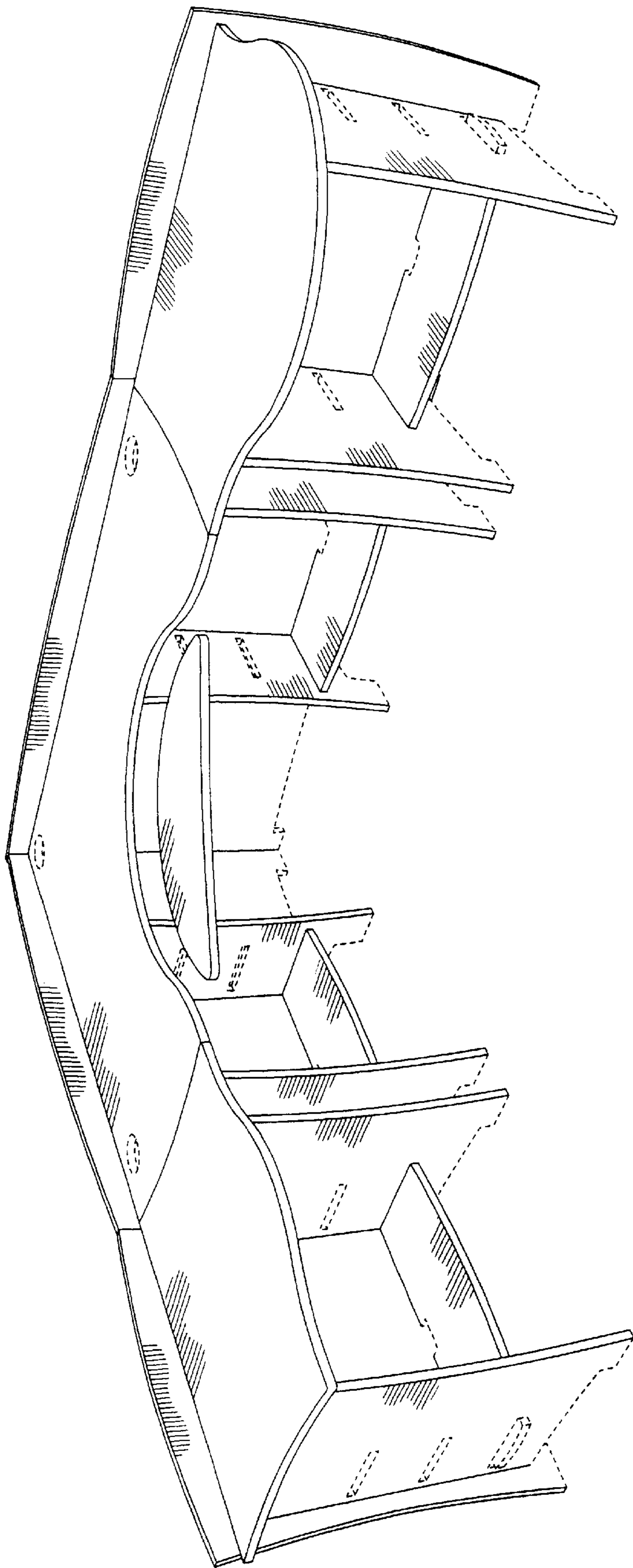


FIG. 1

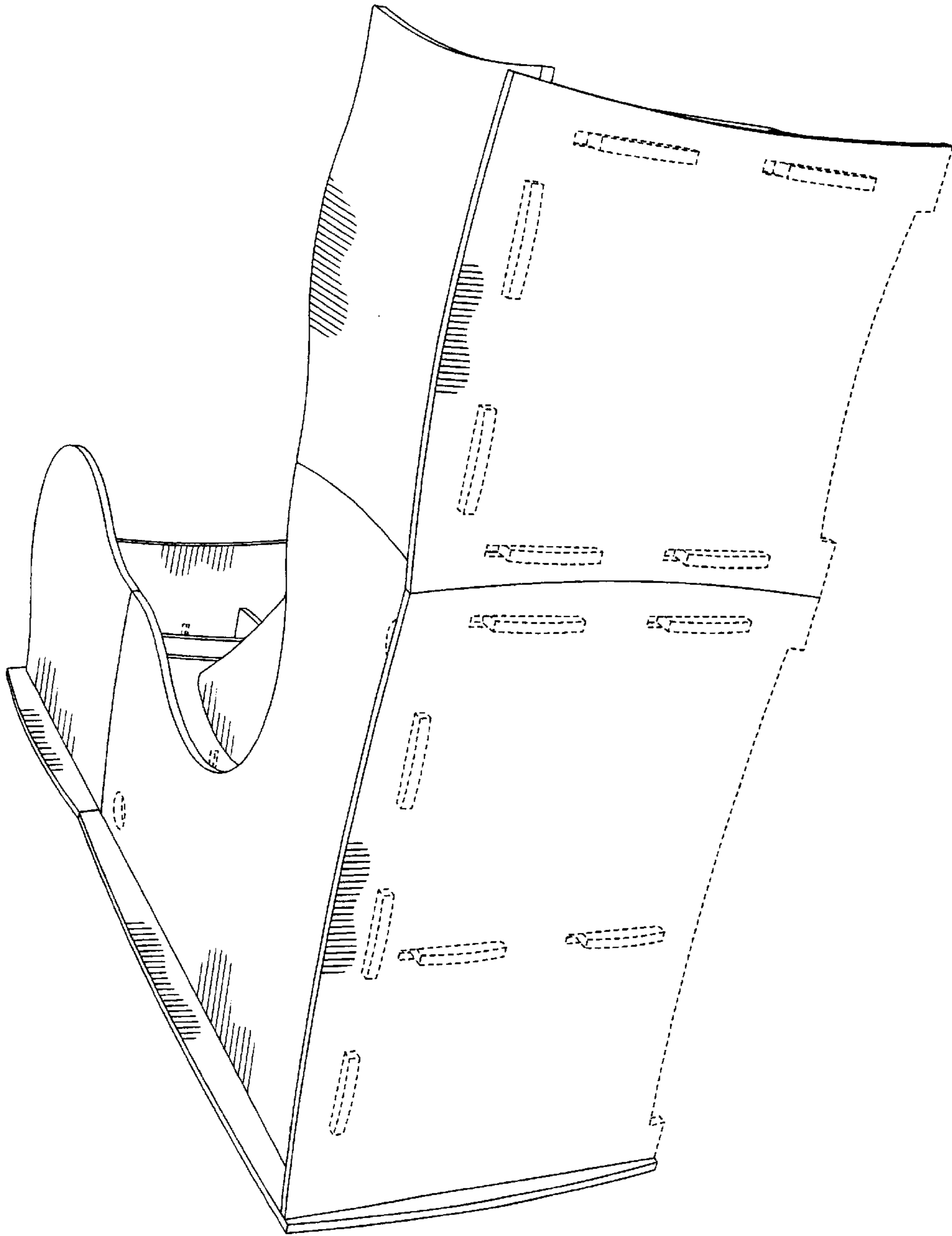


FIG. 2

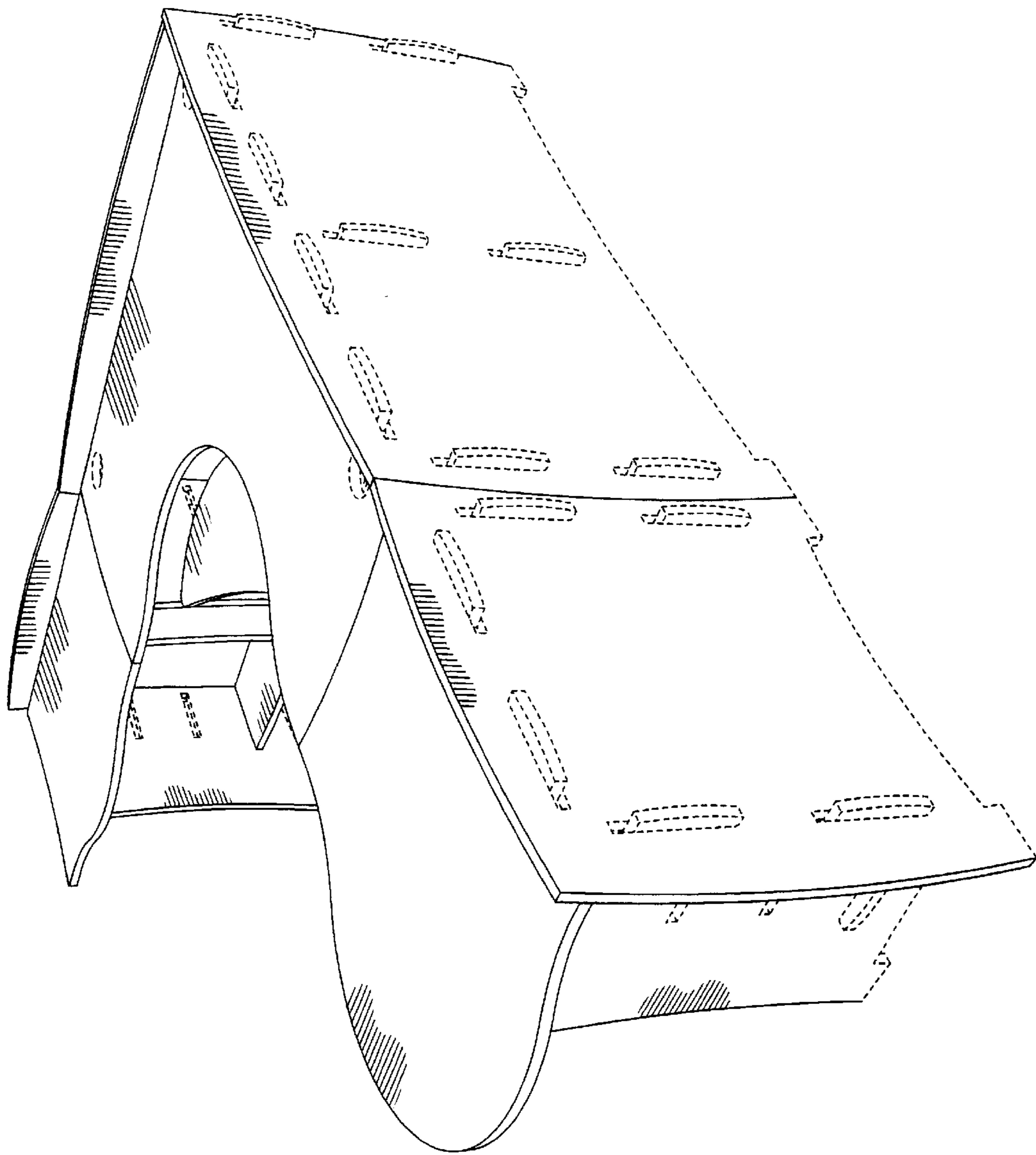


FIG. 3