



US00D430973S

United States Patent [19]

[11] **Patent Number: Des. 430,973**

Frankel et al.

[45] **Date of Patent: ** Sep. 19, 2000**

[54] **LOUNGE CHAIR**

D. 411,055 6/1999 Perrin et al. D6/336 X

[75] Inventors: **Neil P. Frankel**, Chicago, Ill.; **Carl G. Magnusson**, New York, N.Y.; **Hendrik R. Van Hekken**, Allentown; **William T. Shea**, Barto, both of Pa.

Primary Examiner—Gary D. Watson
Attorney, Agent, or Firm—Buchanan Ingersoll, P.C.

[73] Assignee: **Knoll, Inc.**, East Greenville, Pa.

[57] **CLAIM**

[**] Term: **14 Years**

The ornamental design for a lounge chair, as shown and described.

[21] Appl. No.: **29/098,990**

DESCRIPTION

[22] Filed: **Jan. 11, 1999**

FIG. 1 is a perspective view of a chair showing our new design;

[51] **LOC (7) Cl.** **06-01**

FIG. 2 is a front elevational view thereof;

[52] **U.S. Cl.** **D6/334; D6/336; D6/341**

FIG. 3 is a rear elevational view thereof;

[58] **Field of Search** D6/334, 335, 336, D6/338, 341, 365, 369, 371, 373, 374, 500, 501, 502; 297/160, 411.4, 411.41

FIG. 4 is a right side elevational view thereof, the left side being a mirror image thereof;

FIG. 5 is a top plan view thereof;

FIG. 6 is a bottom plan view thereof;

FIG. 7 is a perspective view of a second embodiment of our new design including a tablet arm;

[56] **References Cited**

U.S. PATENT DOCUMENTS

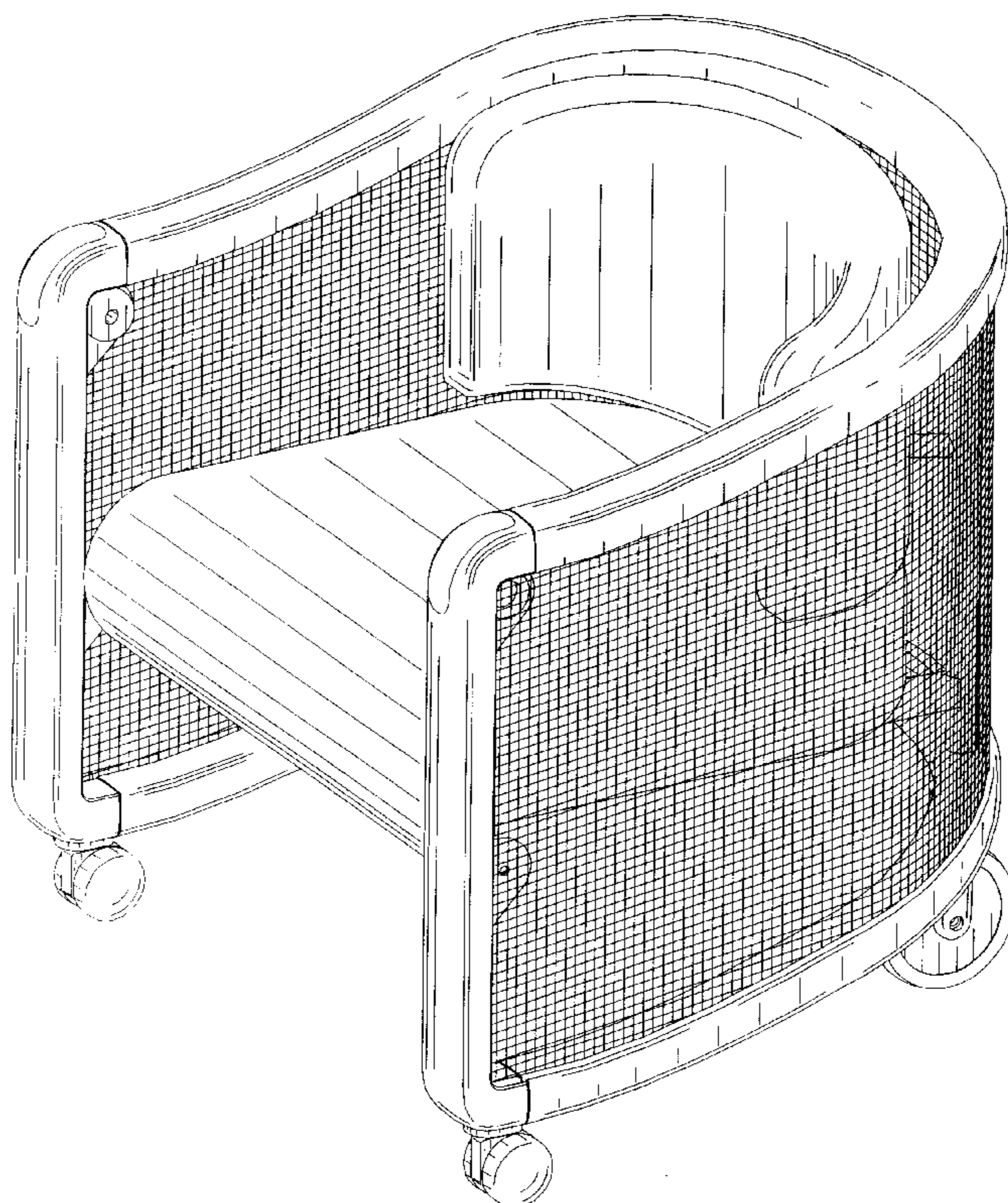
D. 207,262	3/1967	Maurer et al.	D6/341
D. 229,527	12/1973	Duern et al.	D6/374
D. 284,812	7/1986	Culler	D6/371
D. 286,587	11/1986	Culler	D6/334
D. 286,588	11/1986	Culler	D6/334
D. 327,583	7/1992	Dettinger	D6/334
D. 334,487	4/1993	Perry	D6/341 X
D. 380,910	7/1997	LeSourd et al.	D6/338
D. 385,423	10/1997	Shields	D6/336
D. 386,909	12/1997	Mourgue	D6/334
D. 388,965	1/1998	Mourgue	D6/334
D. 390,710	2/1998	Shields	D6/334

FIG. 8 is a perspective view of the second embodiment of FIG. 7 of our new design illustrating the tablet arm in a storage position; and,

FIG. 9 is a perspective view of a third embodiment of our new design.

The chair shown in FIGS. 7 and 8 is like that shown in FIGS. 1 through 6 with the exception of the tablet arm. The chair shown in FIG. 9 is like that shown in FIGS. 1 through 6 with the exception of the lower storage member. Any portions of FIGS. 7 through 9 which have not been shown or described form no part of the claimed design.

1 Claim, 7 Drawing Sheets



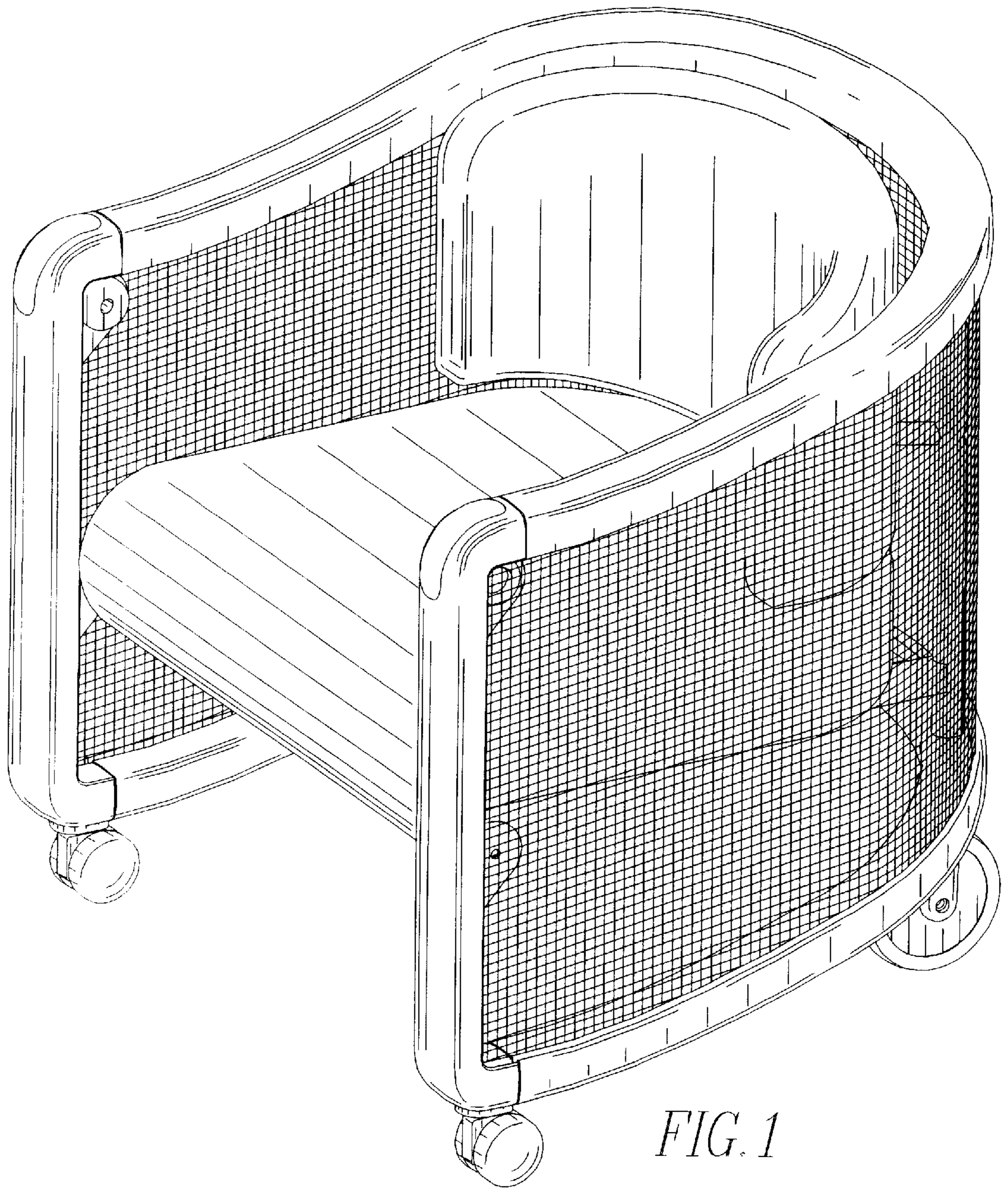


FIG. 1

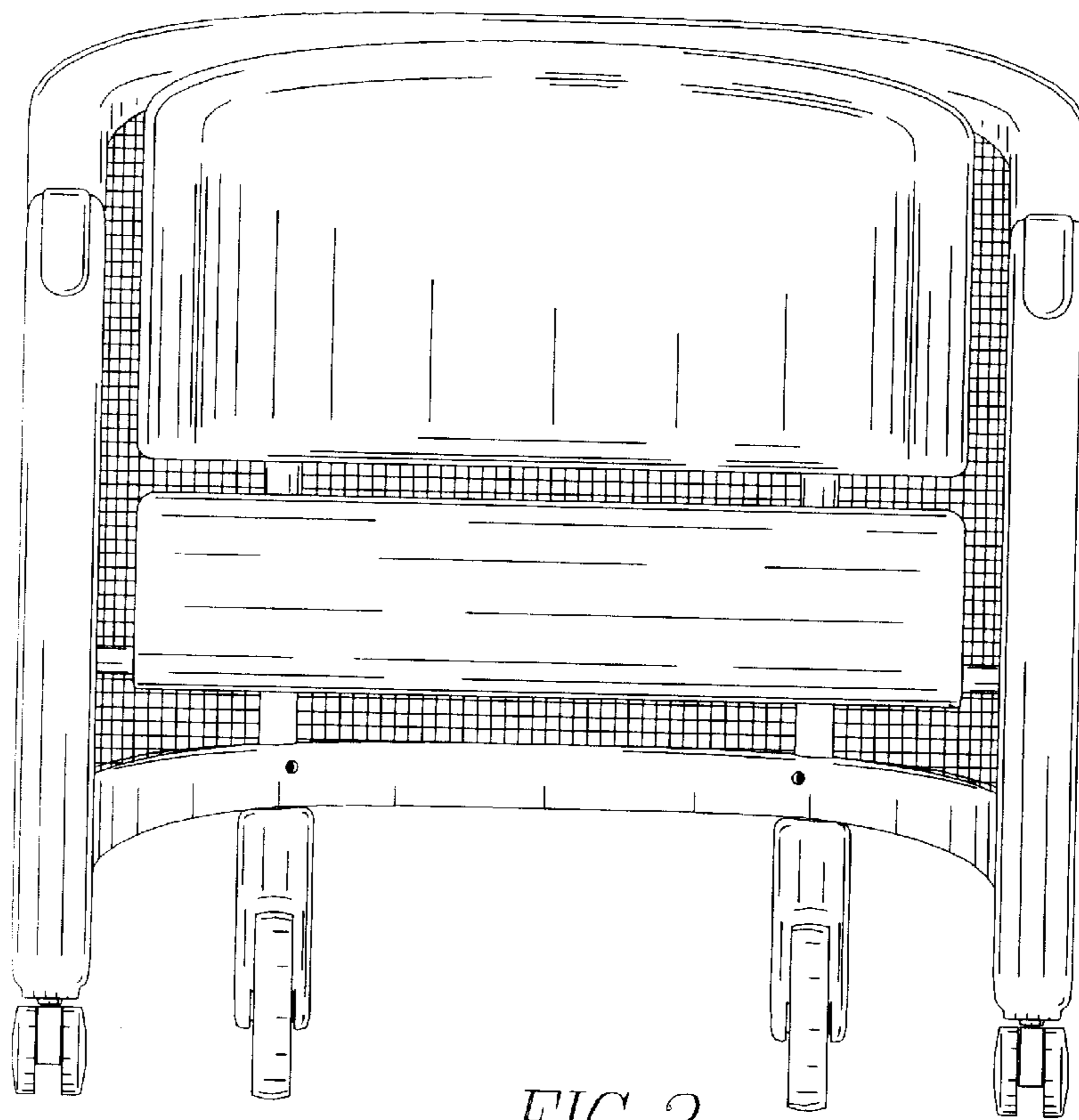


FIG. 2

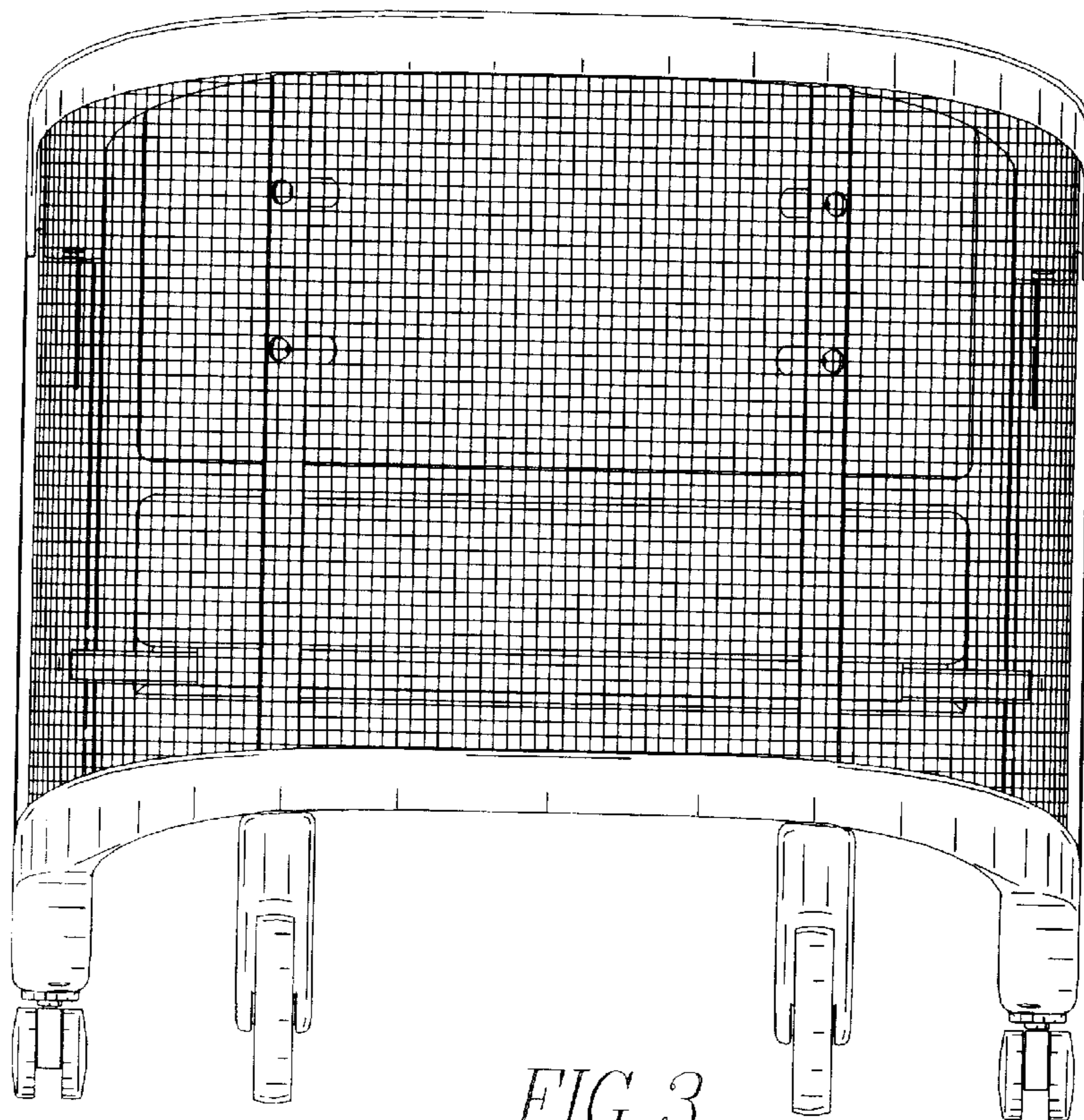


FIG. 3

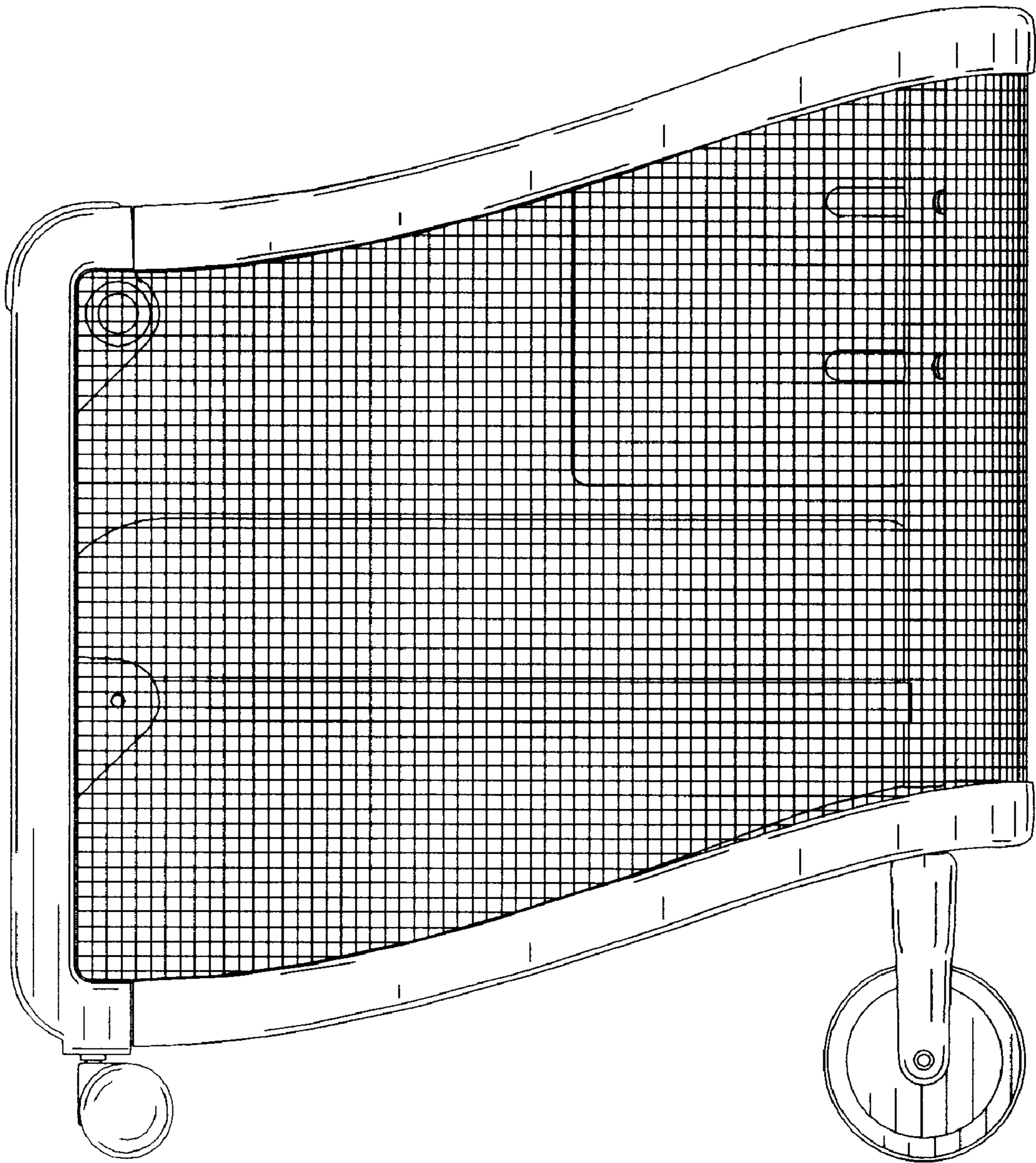


FIG. 4

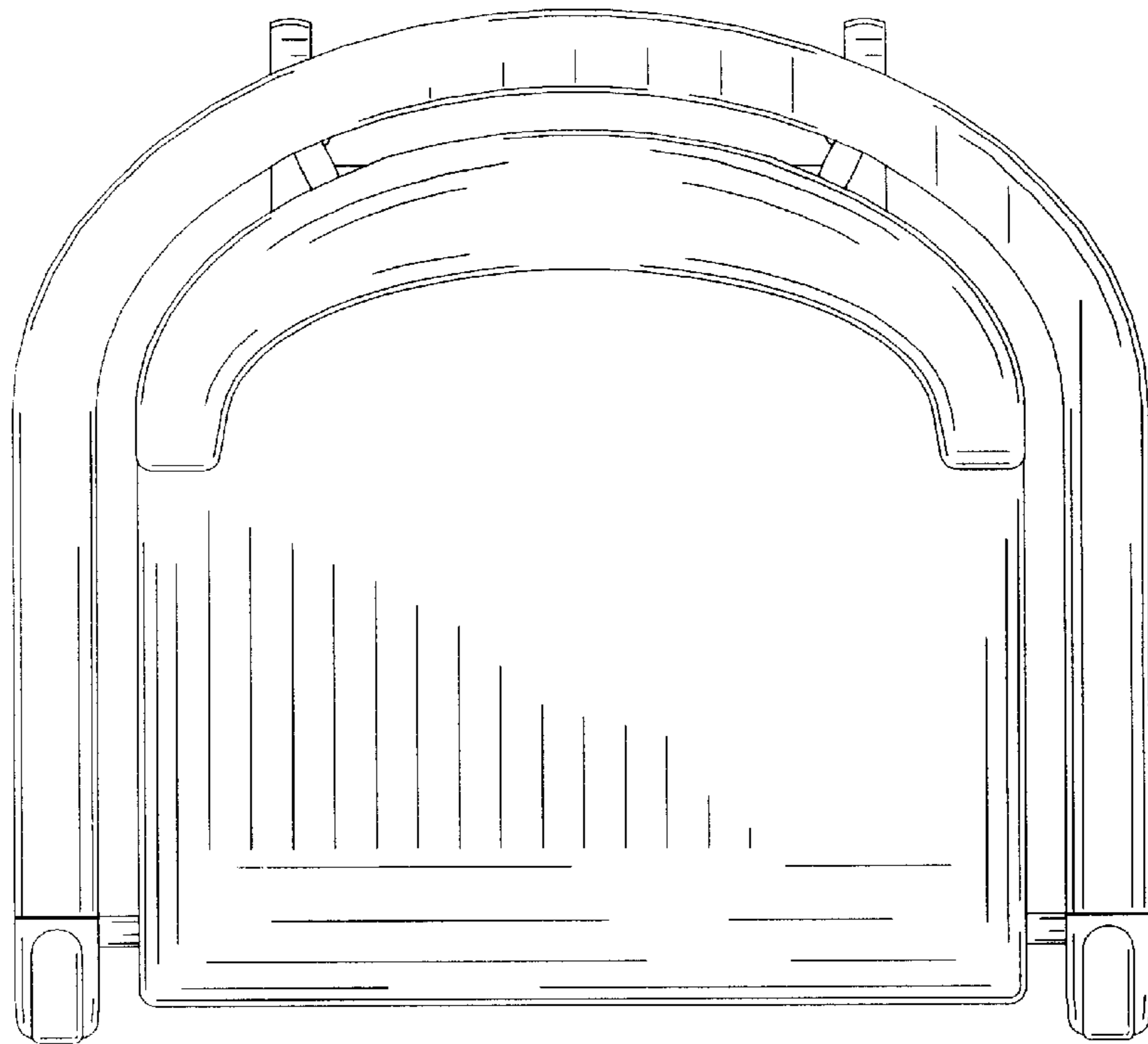


FIG. 5

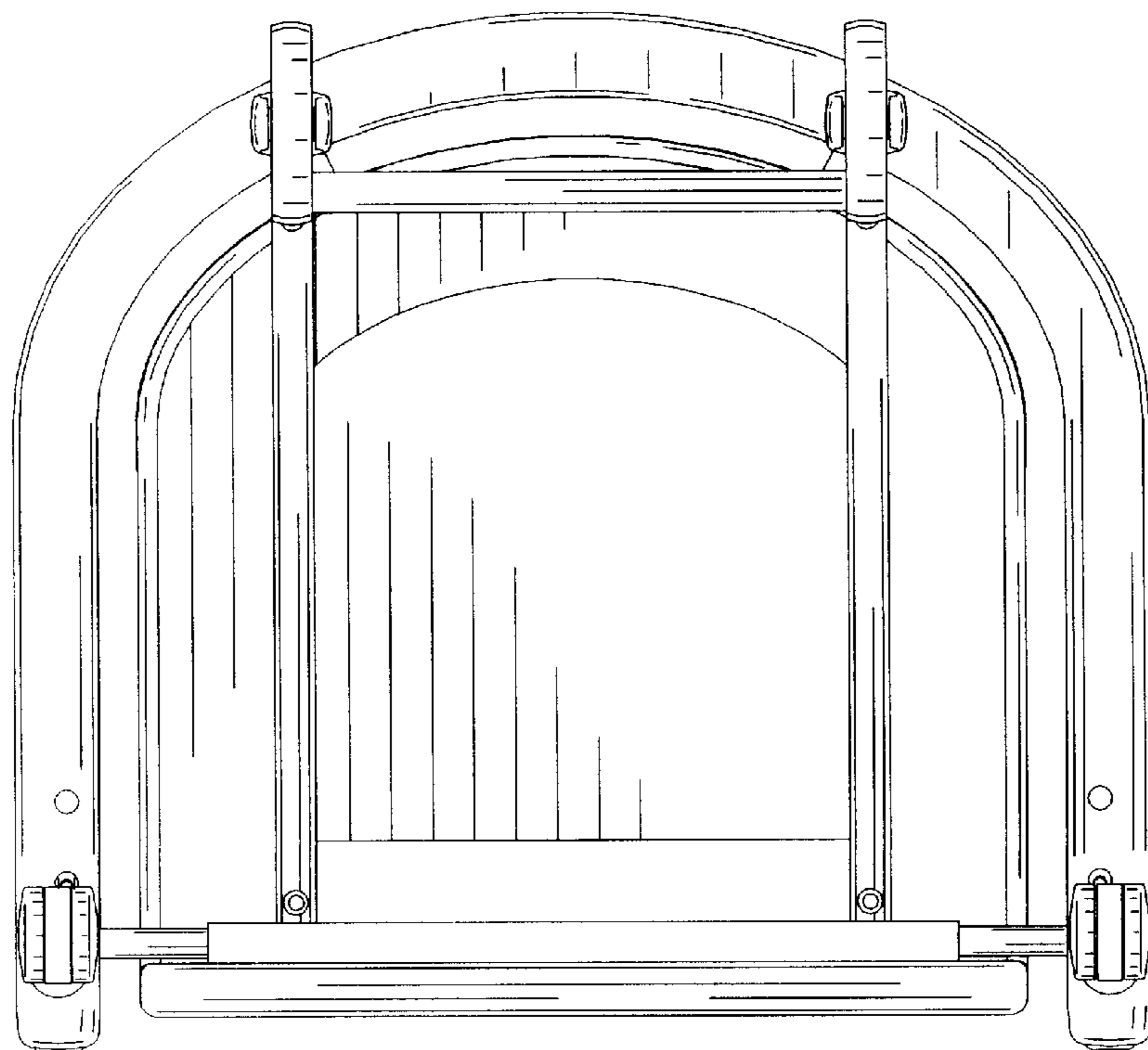


FIG. 6

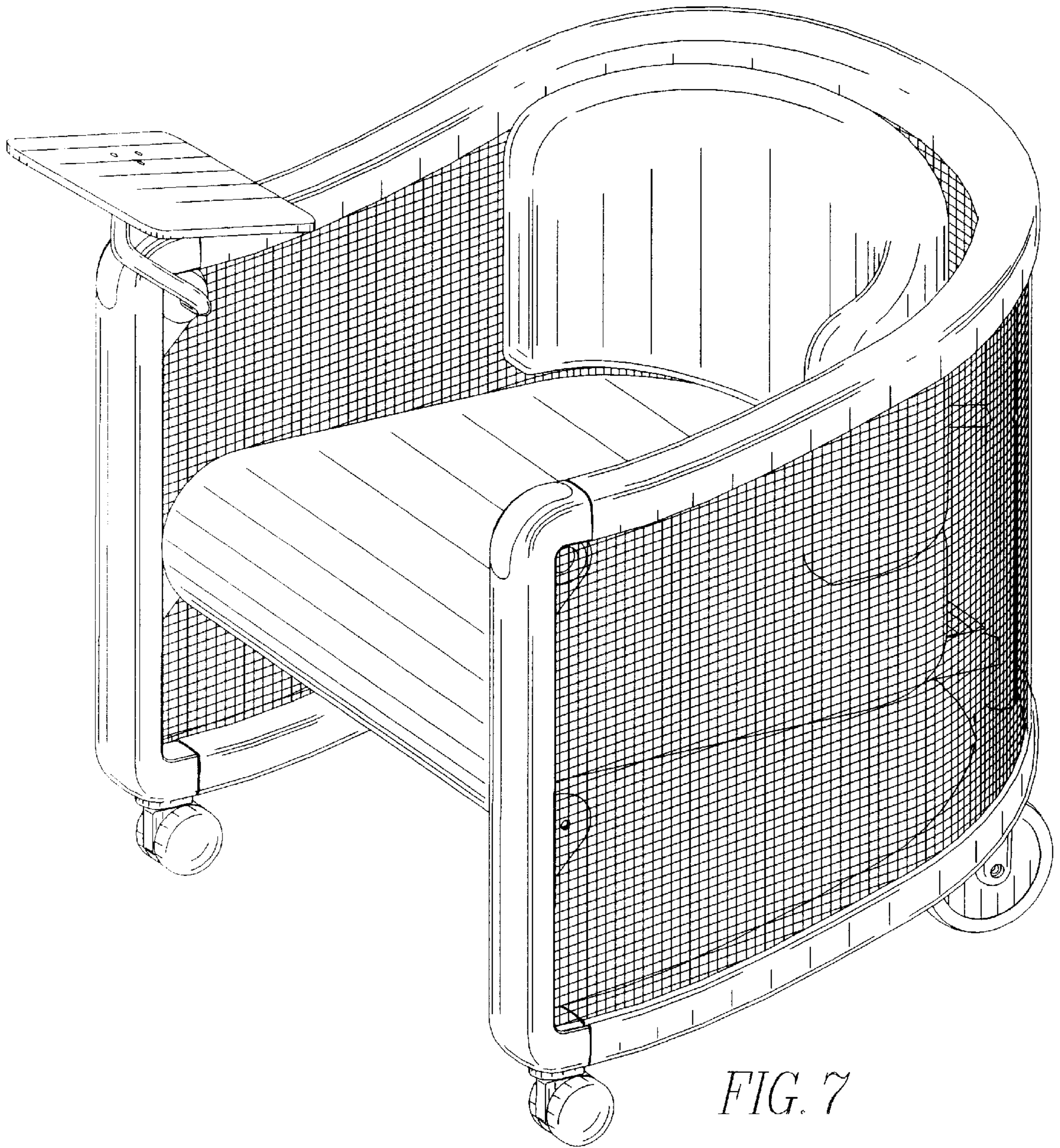


FIG. 7

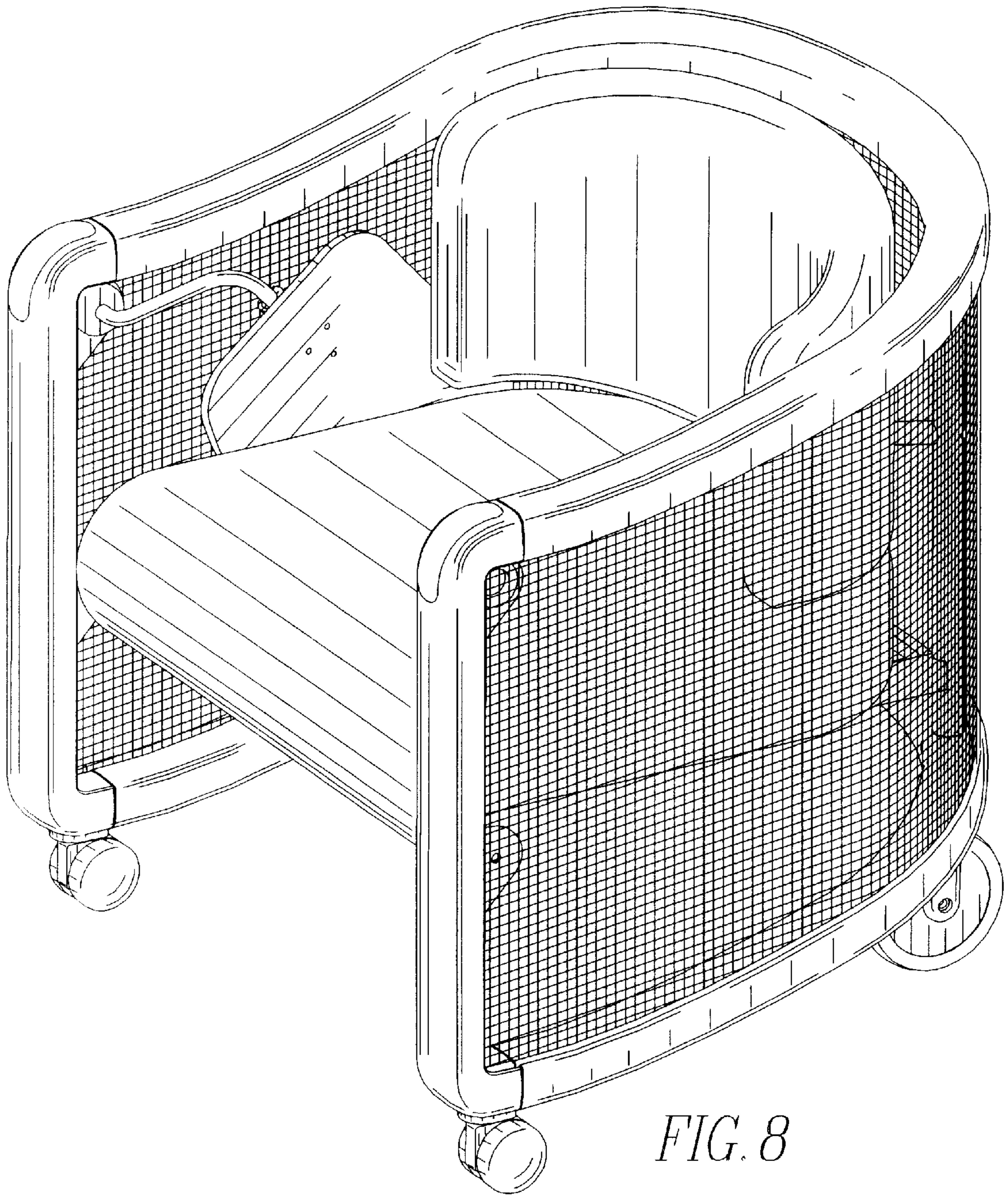


FIG. 8

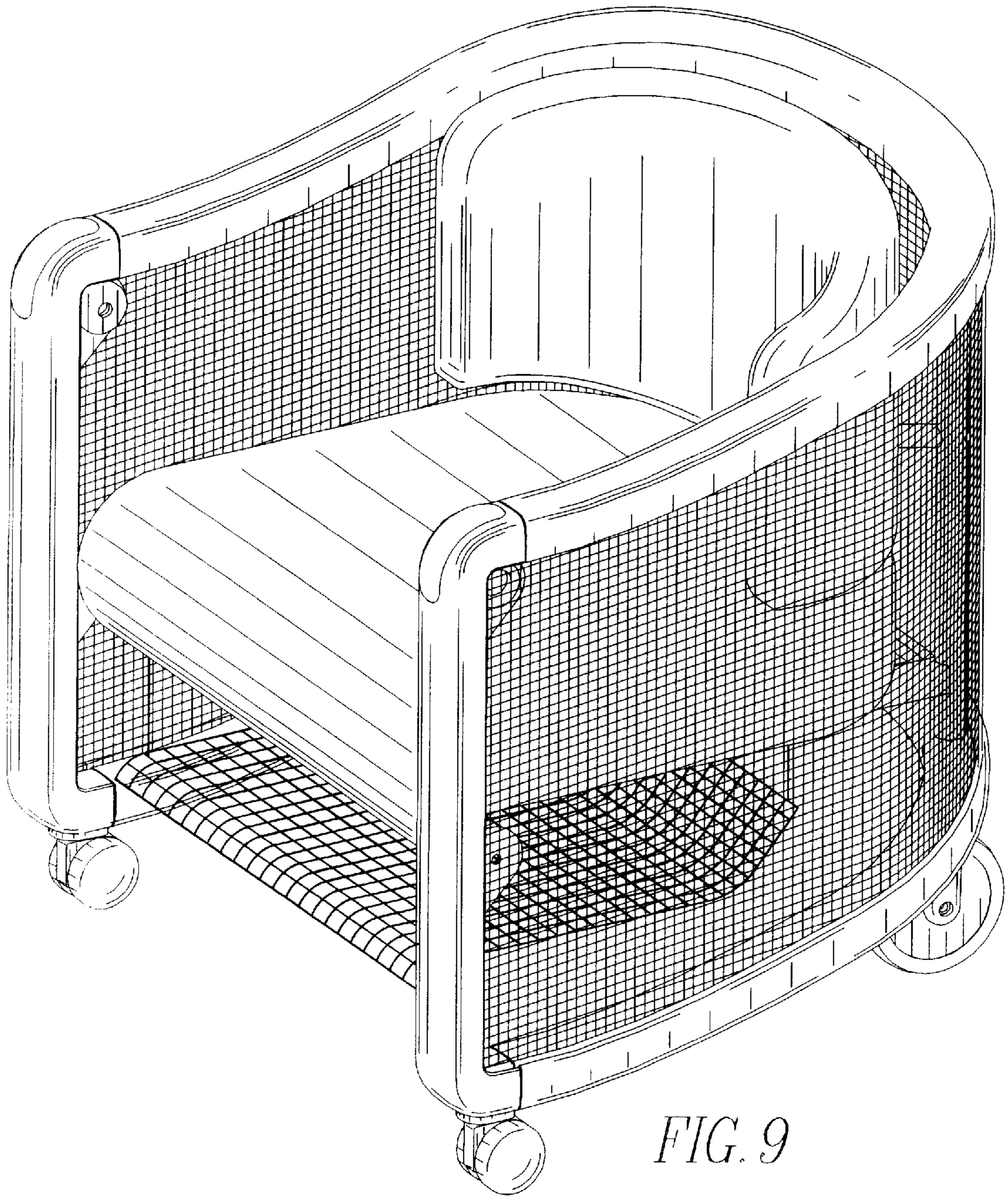


FIG. 9