



US00D430965S

United States Patent [19] Koberlein

[11] Patent Number: **Des. 430,965**

[45] Date of Patent: **** Sep. 12, 2000**

[54] **TOBACCO BALE HANDLER**

5,461,736 10/1995 Carpenter et al. 254/2 R X

[75] Inventor: **Ross Koberlein**, Fayette County, Ill.

OTHER PUBLICATIONS

[73] Assignee: **Worksaver Inc.**, Witchfield, Ill.

4 photos of bale handler manufactured by Taylor Manufacturing Co.

[**] Term: **14 Years**

7 photos of bale handler manufactured by Revels Tractor Co.

[21] Appl. No.: **29/112,817**

Primary Examiner—Cynthia E Ramirez
Attorney, Agent, or Firm—Paul M Denk

[22] Filed: **Oct. 25, 1999**

[57] CLAIM

[51] **LOC (7) Cl.** **12-05**

The ornamental design for the tobacco bale handler.

[52] **U.S. Cl.** **D34/28; D34/38**

DESCRIPTION

[58] **Field of Search** D34/28, 38, 35;
294/116, 104, 118; 248/323, 126, 300;
D8/349, 354; 108/51.11, 901, 53.3, 54.1;
254/2 R, 8 R

FIG. 1 is an isometric view of the tobacco bale handler of this invention;

FIG. 2 is a left side view thereof, the right side view being a mirror image thereof;

FIG. 3 is a front view;

FIG. 4 is a rear view; and,

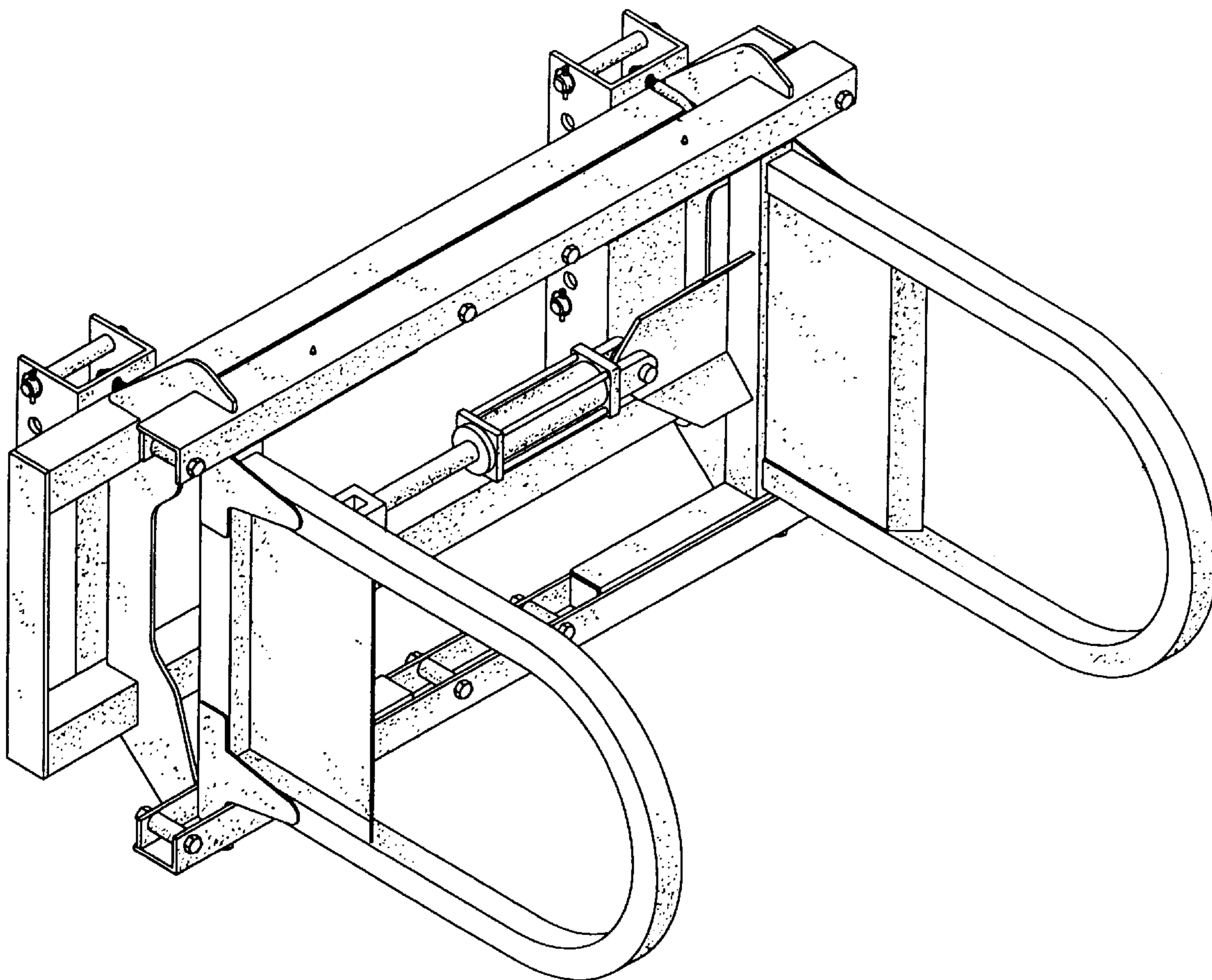
FIG. 5 is a top plan view, the bottom plan view being a mirror image thereof.

[56] References Cited

U.S. PATENT DOCUMENTS

D. 338,024	8/1993	Schumacher et al.	D34/28 X
2,465,777	3/1949	Young	248/323
4,641,845	2/1987	Hewitt	108/51.11
5,119,907	6/1992	Billington, III et al.	248/126 X

1 Claim, 3 Drawing Sheets



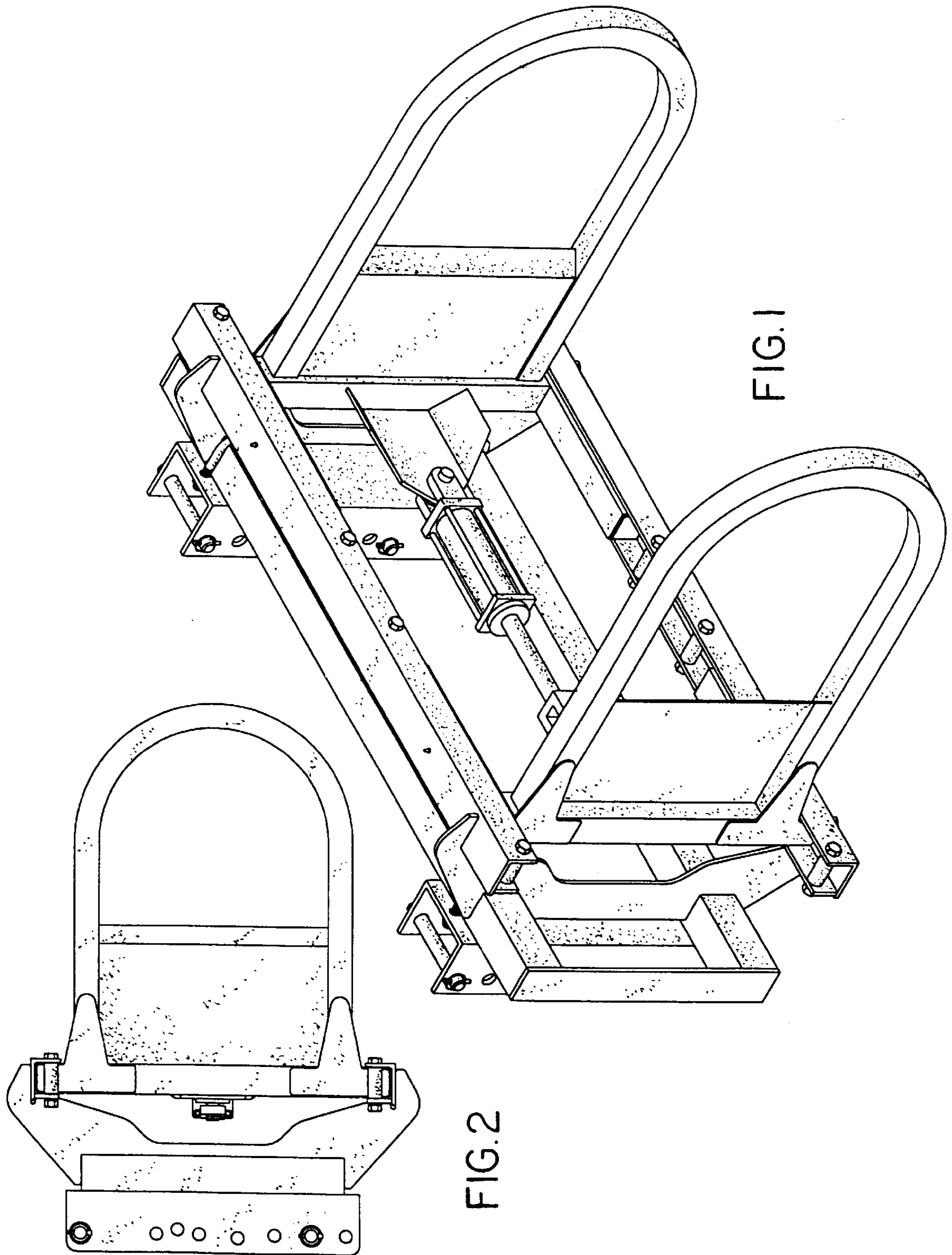


FIG. 1

FIG. 2

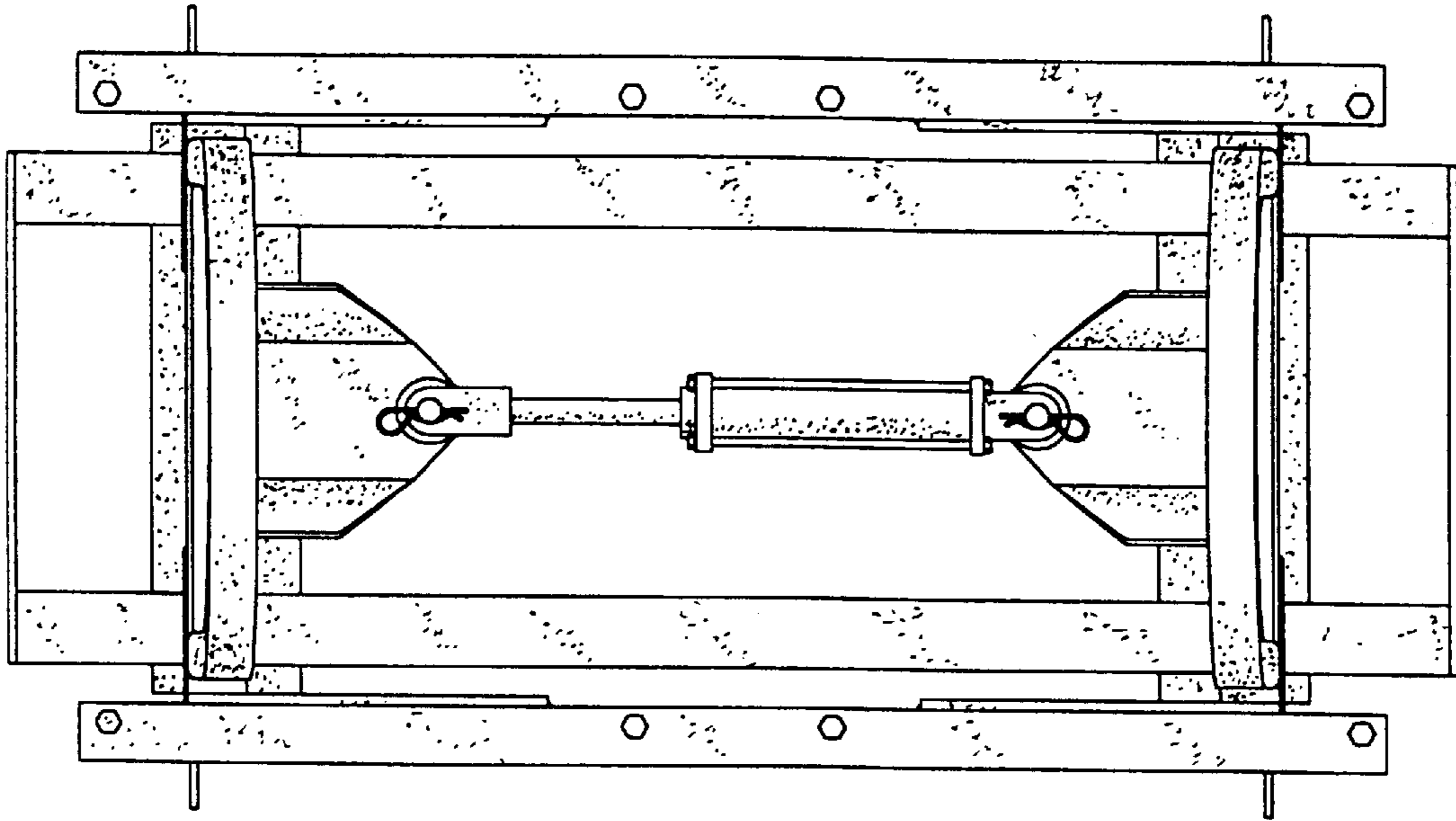


FIG. 3

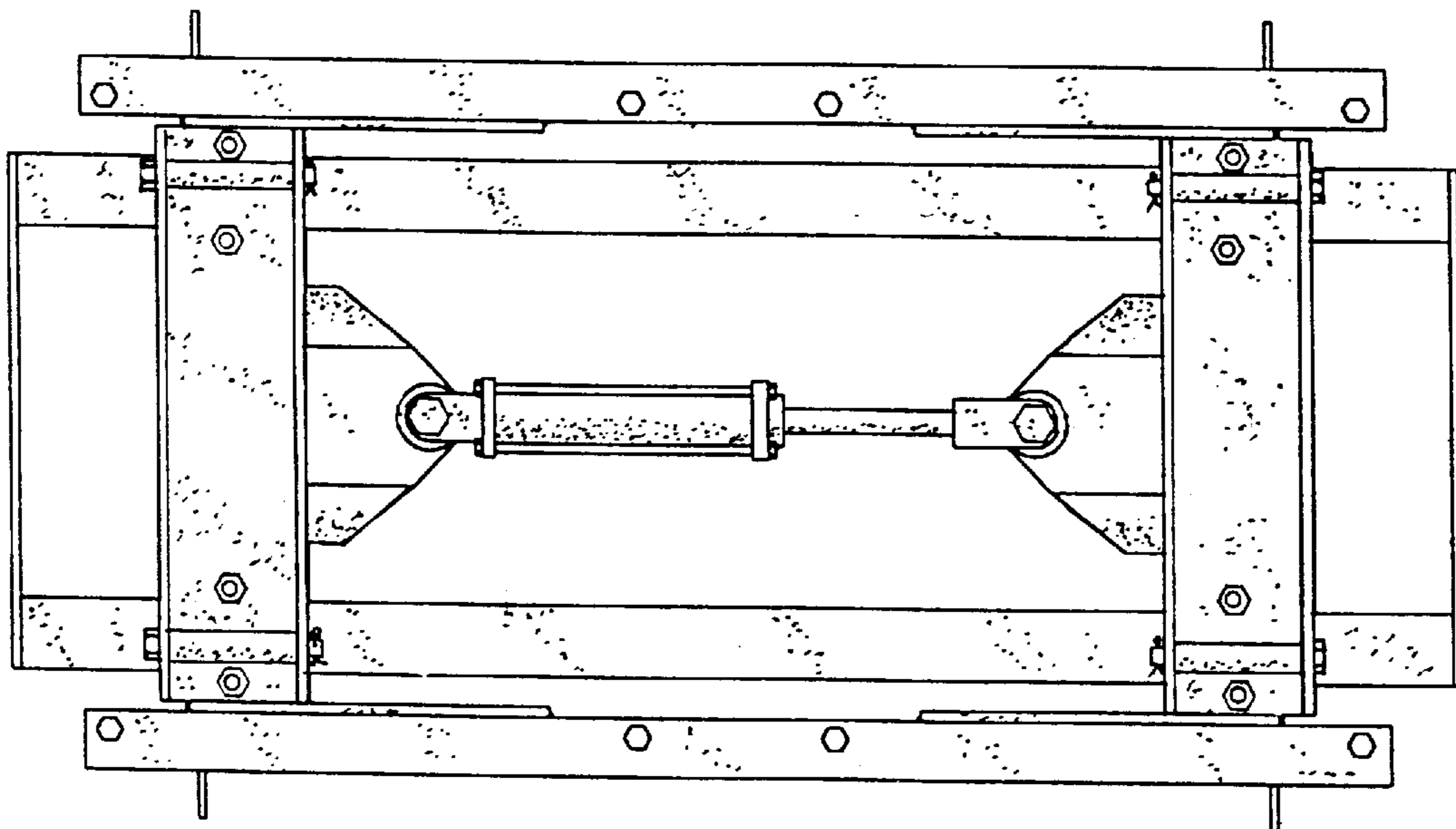


FIG. 4

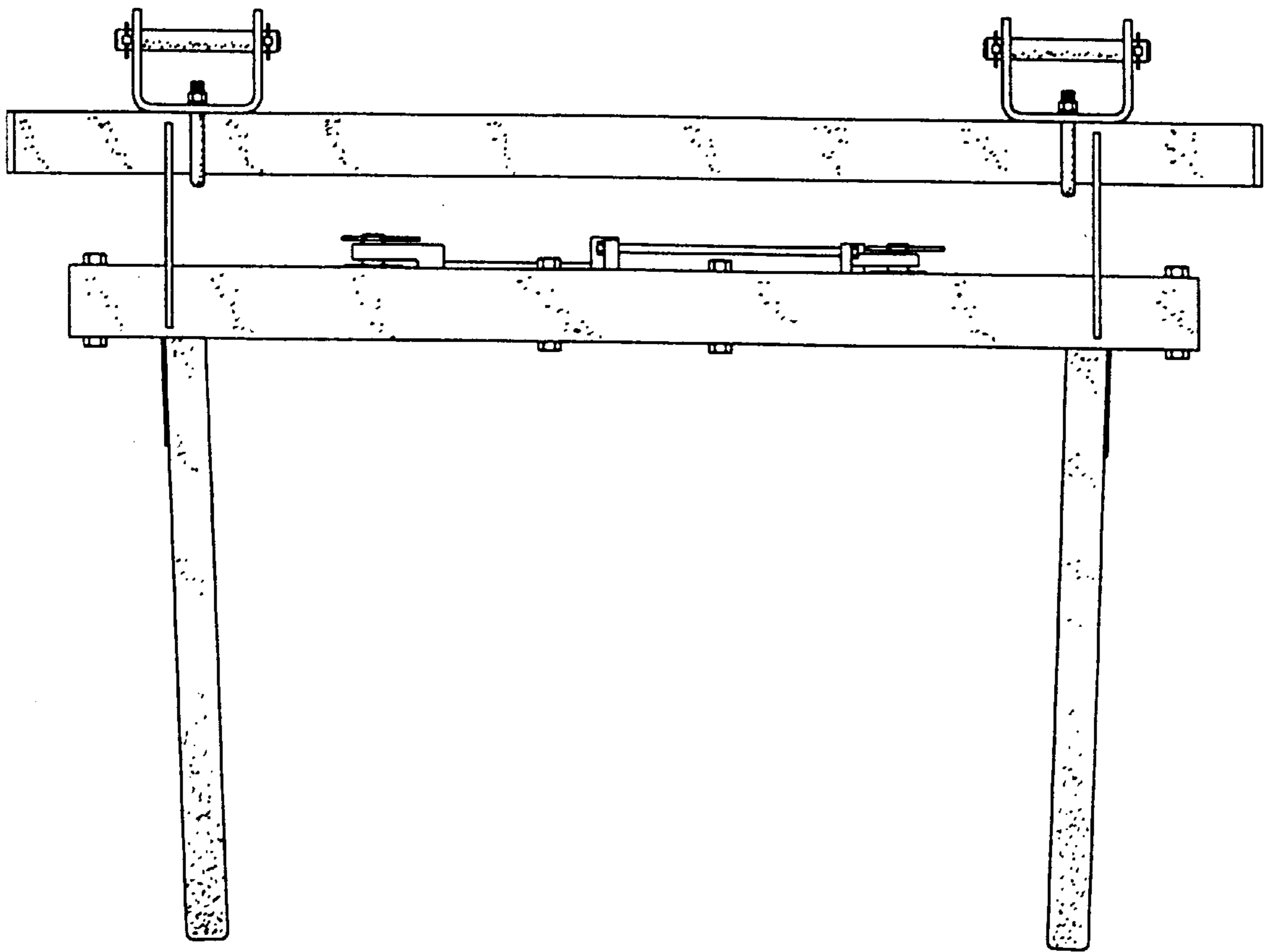


FIG. 5