



US00D430960S

# United States Patent [19]

van der Meyden et al.

[11] Patent Number: **Des. 430,960**

[45] Date of Patent: **\*\* Sep. 12, 2000**

[54] **AUTOMATIC SWIMMING POOL CLEANER**

[75] Inventors: **Hendrikus Johannes van der Meyden**, Glen Austin; **Michael Edward Moore**, Johannesburg; **Alexis Adrian Felipe Wadman**, Bedfordview, all of South Africa

[73] Assignee: **Zodiac Pool Care, Inc.**, Ft. Lauderdale, Fla.

[\*\*] Term: **14 Years**

[21] Appl. No.: **29/095,591**

[22] Filed: **Oct. 27, 1998**

[51] **LOC (7) Cl.** ..... **15-05**

[52] **U.S. Cl.** ..... **D32/1**

[58] **Field of Search** ..... D32/1, 15, 21, D32/25; 15/1.7; 210/169, 416.2, 460; 251/346; 180/116, 119, 120, 125, 130; 55/373, 374

[56] **References Cited**

**U.S. PATENT DOCUMENTS**

- D. 176,635 1/1956 Shalvoy ..... D32/21
- D. 264,797 6/1982 Burglin et al. .... D32/15

- D. 325,452 4/1992 Geffer ..... D32/1
- D. 325,796 4/1992 Kallenbach ..... D32/1
- D. 346,888 5/1994 Stone ..... D32/1
- 2,751,038 6/1956 Acheson ..... 55/356
- 4,351,077 9/1982 Hofmann ..... 15/1.7
- 5,364,512 11/1994 Earl ..... 210/192
- 5,450,644 9/1995 Berman ..... 15/1.7
- 5,546,982 8/1996 Clark et al. .... 137/557

*Primary Examiner*—Louis S. Zarfaz  
*Assistant Examiner*—Robert A. Delehanty  
*Attorney, Agent, or Firm*—Dean W. Russell; Kilpatrick Stockton LLP

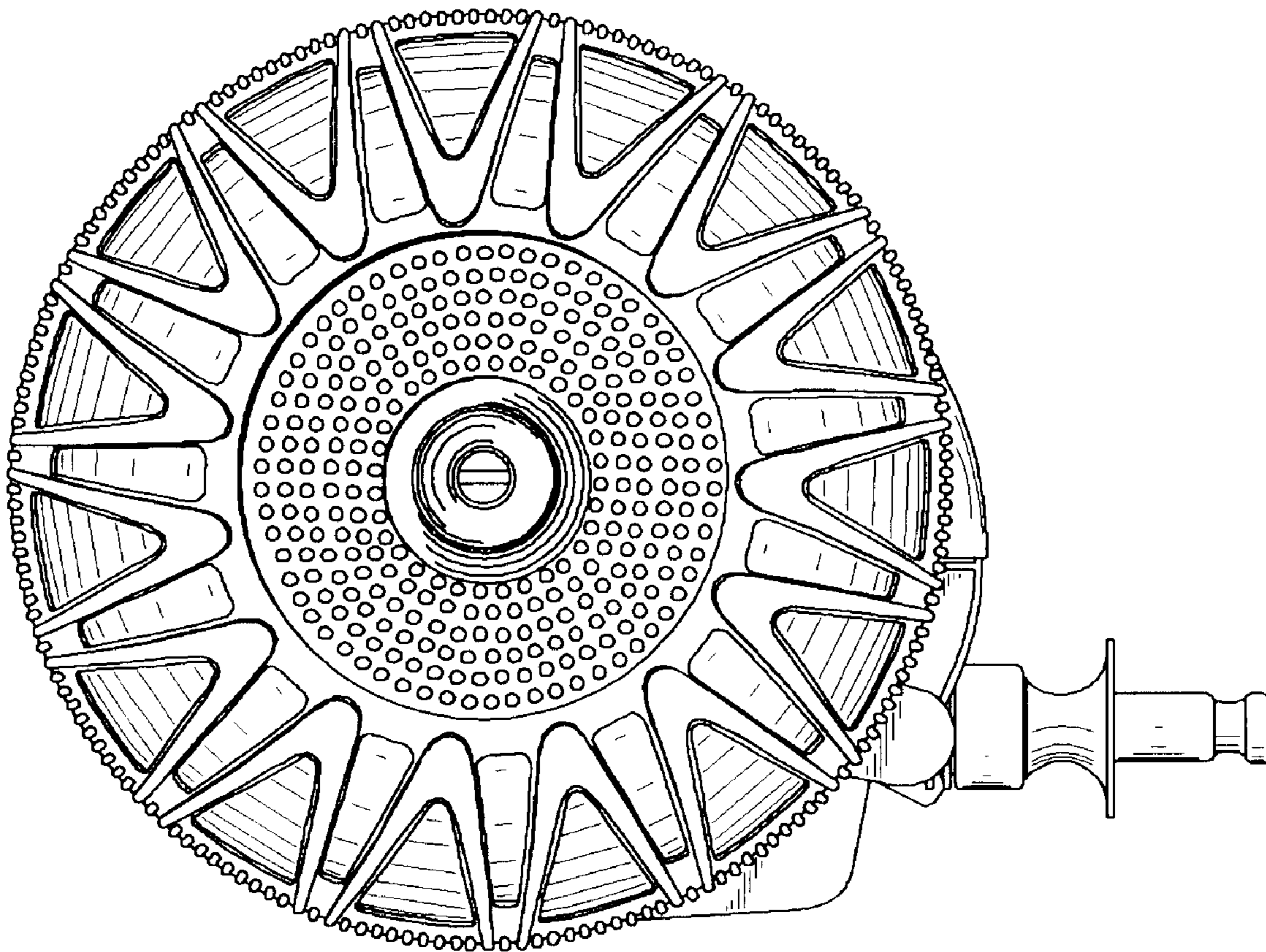
[57] **CLAIM**

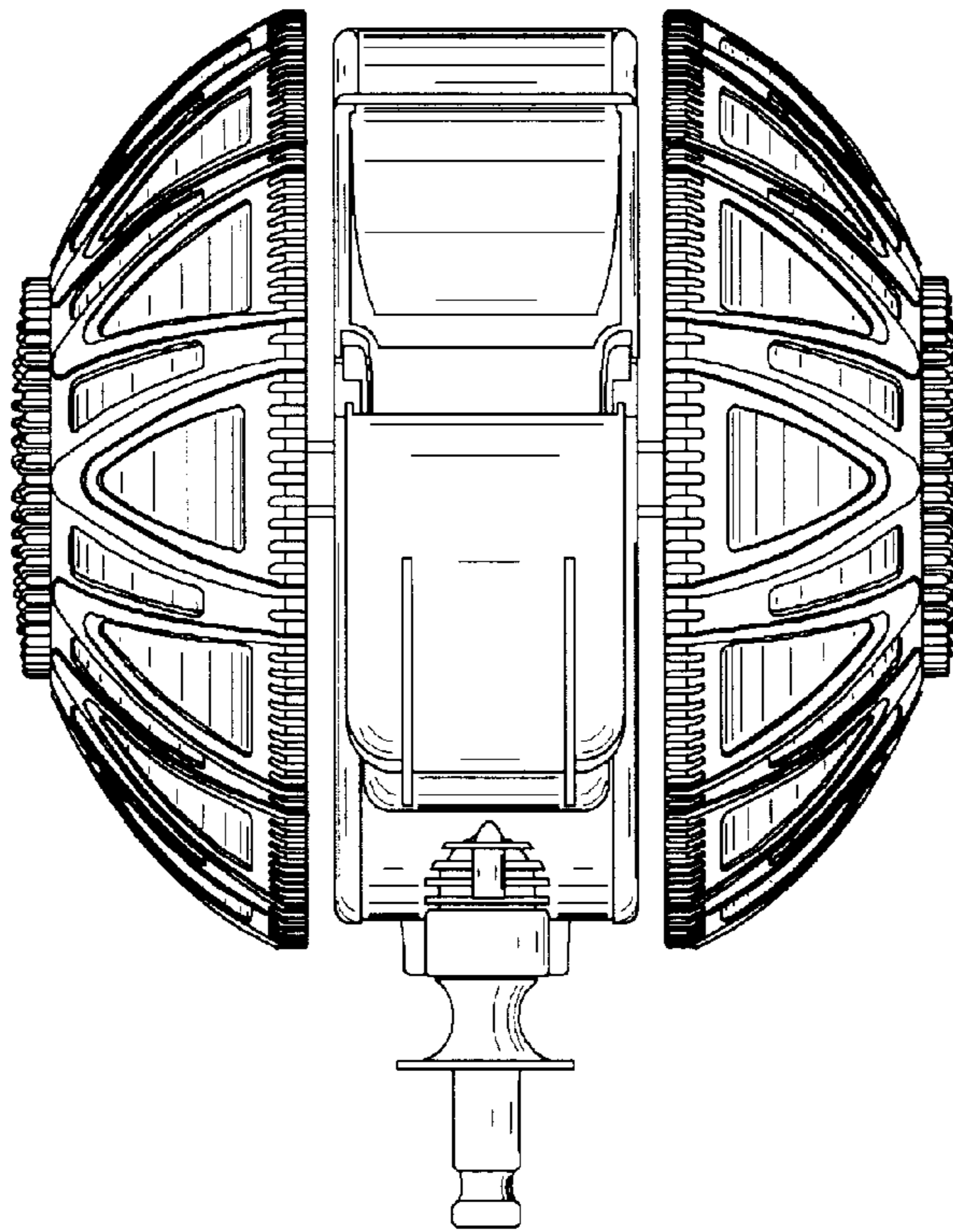
The ornamental design for an automatic swimming pool cleaner, as shown and described.

**DESCRIPTION**

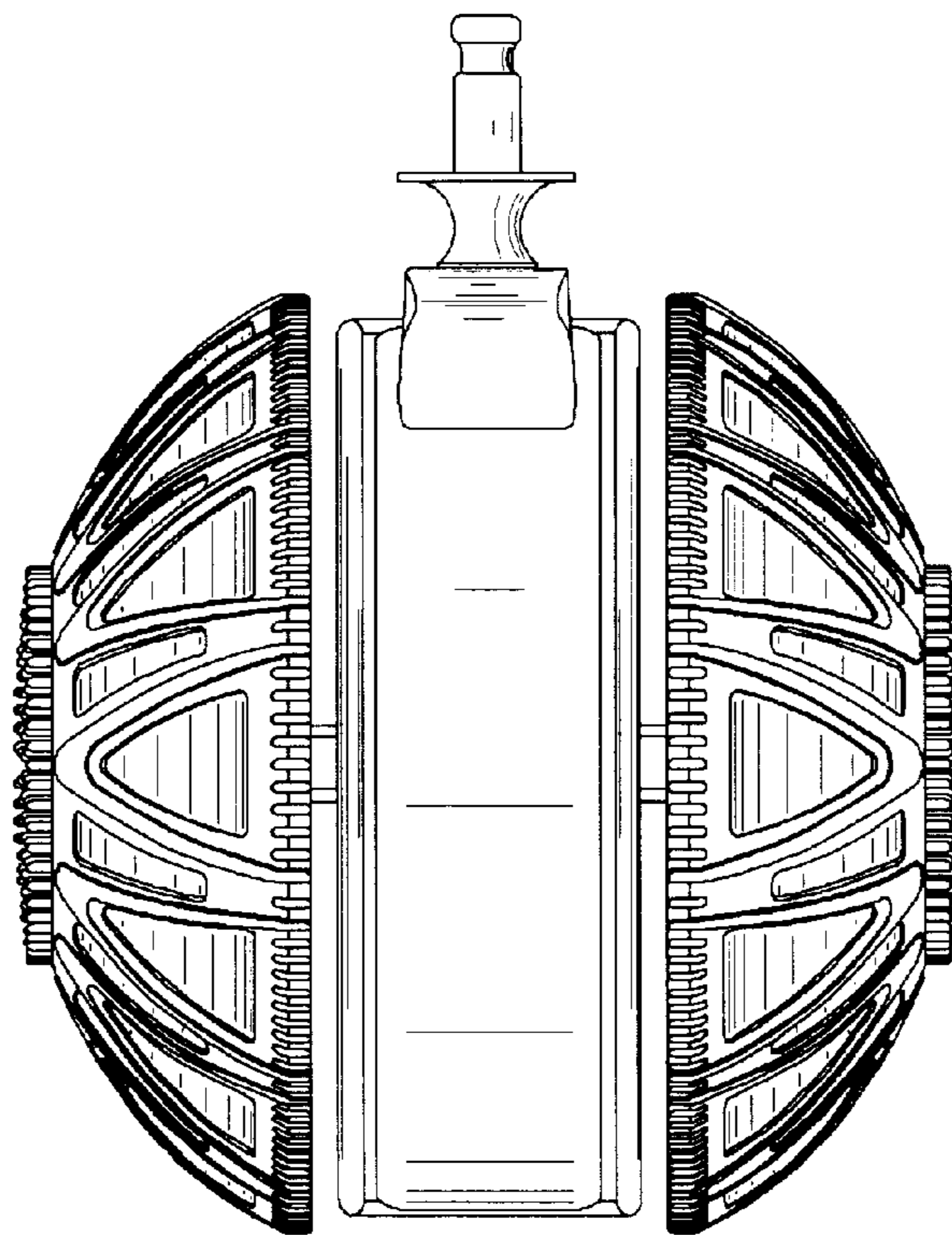
FIG. 1 is a top view of a cleaner showing the new design; FIG. 2 is a bottom view of said cleaner; FIG. 3 is a front view of said cleaner; FIG. 4 is a back view of said cleaner; FIG. 5 is a view of the left side of said cleaner; and, FIG. 6 is a view of the right side of said cleaner.

**1 Claim, 3 Drawing Sheets**

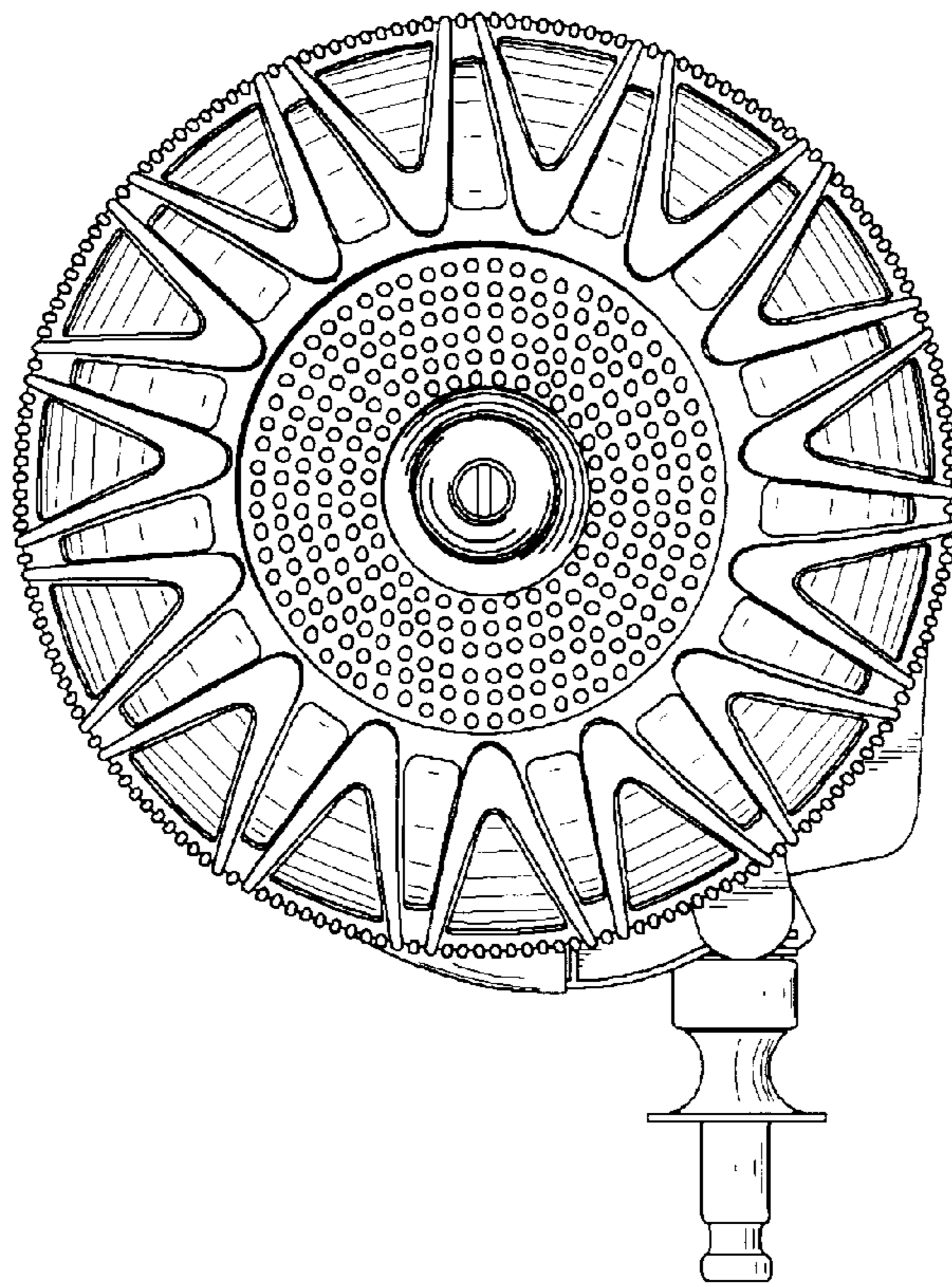




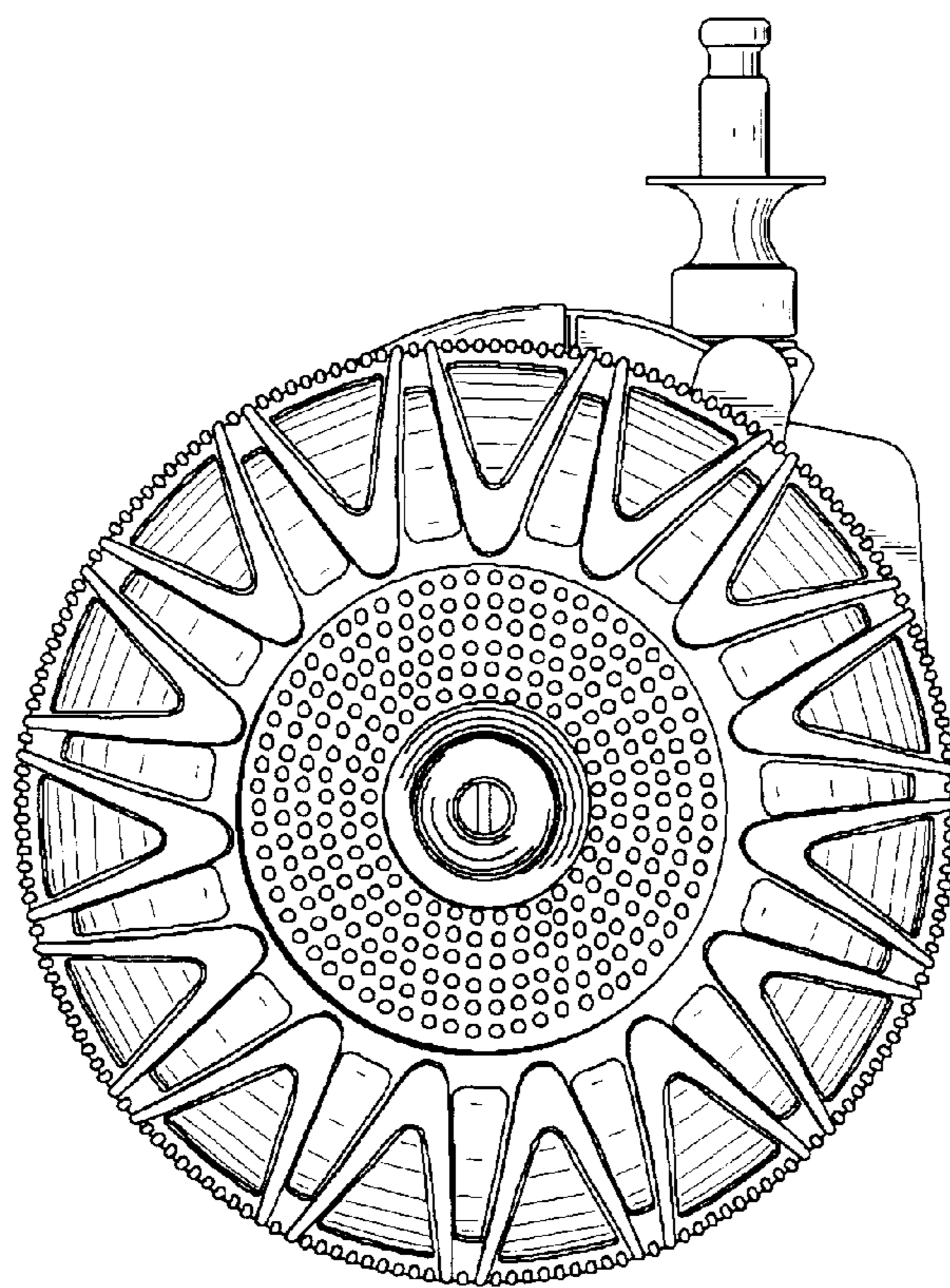
**FIG. 2**



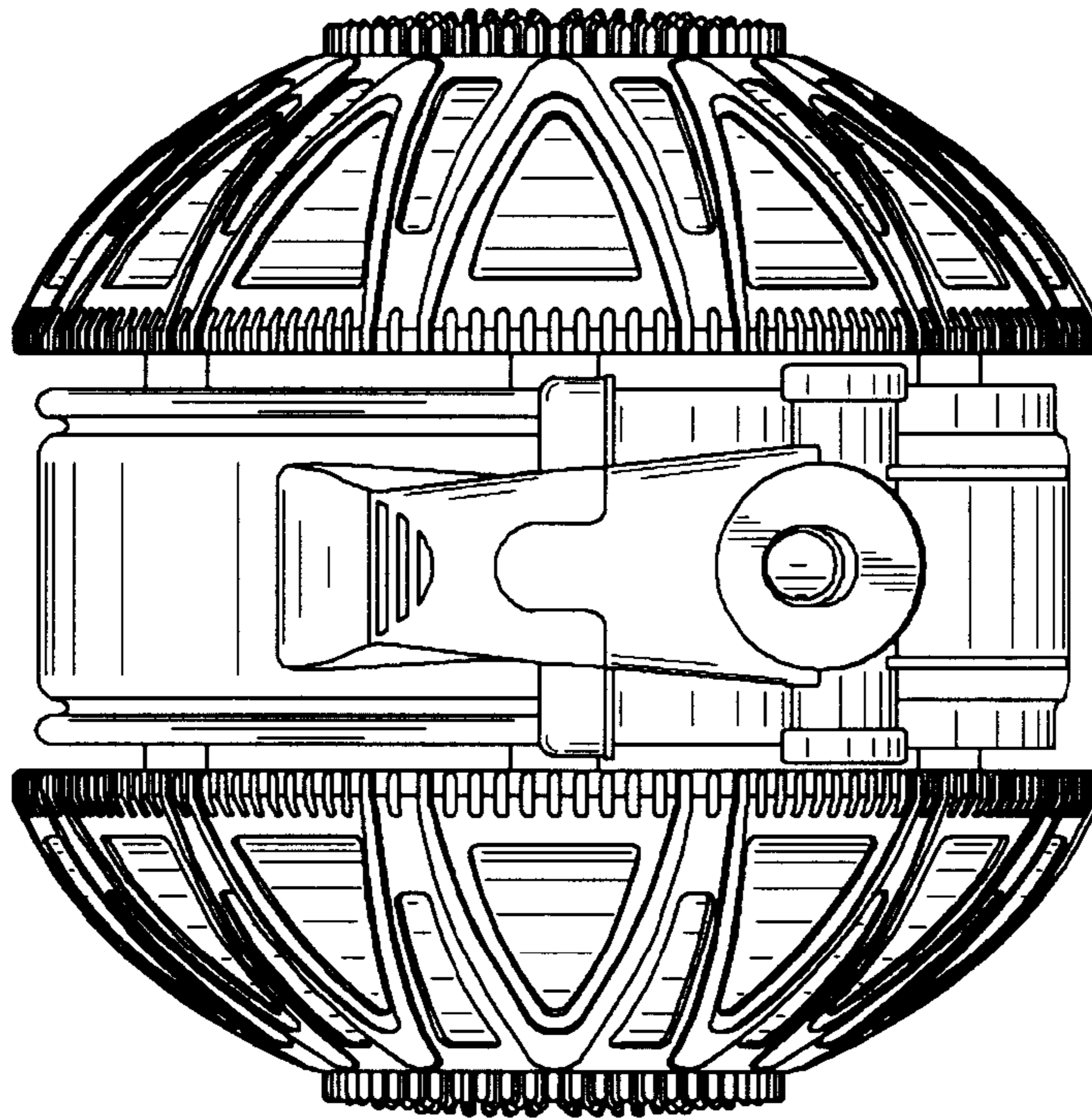
**FIG. 1**



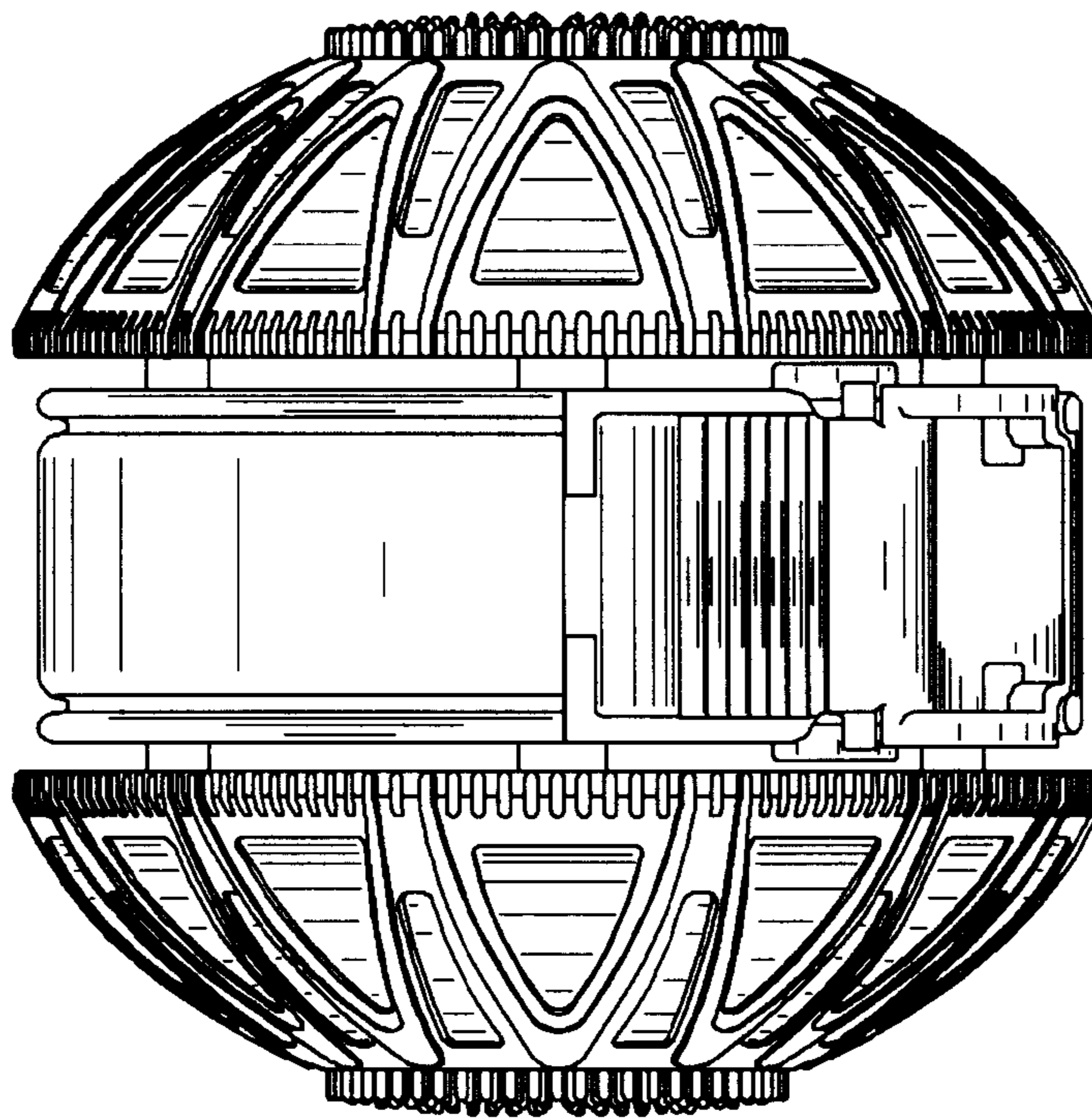
**FIG. 4**



**FIG. 3**



**FIG. 6**



**FIG. 5**