



US00D430957S

United States Patent [19]

[11] **Patent Number: Des. 430,957**

Boucugnani et al.

[45] **Date of Patent: ** Sep. 12, 2000**

[54] **CHILD'S SAFETY AND TRAINING BELT**

[76] Inventors: **Andres Boucugnani; Margarita Boucugnani**, both of 136-05 Sanford Ave. #4B, Flushing, N.Y. 11355

[**] Term: **14 Years**

[21] Appl. No.: **29/115,248**

[22] Filed: **Dec. 9, 1999**

[51] **LOC (7) Cl. 02-02**

[52] **U.S. Cl. D29/100**

[58] **Field of Search** D29/100, 101, D29/122, 124; D2/626, 830; 2/457, 103, 914; 182/3, 37, 138, 140; 362/108; 441/108, 117; D30/151-153; D3/327; 224/666, 269; 372/55

[56] **References Cited**

U.S. PATENT DOCUMENTS

D. 300,474	3/1989	Caulder et al.	D29/101
D. 383,256	9/1997	Hampton	D30/153
D. 391,685	3/1998	Kinniburgh	D29/124
2,833,250	5/1958	Beebe	D30/153
3,088,438	5/1963	Oliphant	119/96

3,295,501	1/1967	Riley	119/96
4,667,624	5/1987	Smith	119/96
4,977,860	12/1990	Harwell	224/666 X
5,358,158	10/1994	Darr	224/269 X
5,638,772	6/1997	Kaufmann	119/770
5,889,807	3/1999	Cunningham et al.	372/55

Primary Examiner—Louis S. Zarfes
Assistant Examiner—Robert A. Delehanty
Attorney, Agent, or Firm—Goldstein & Canino

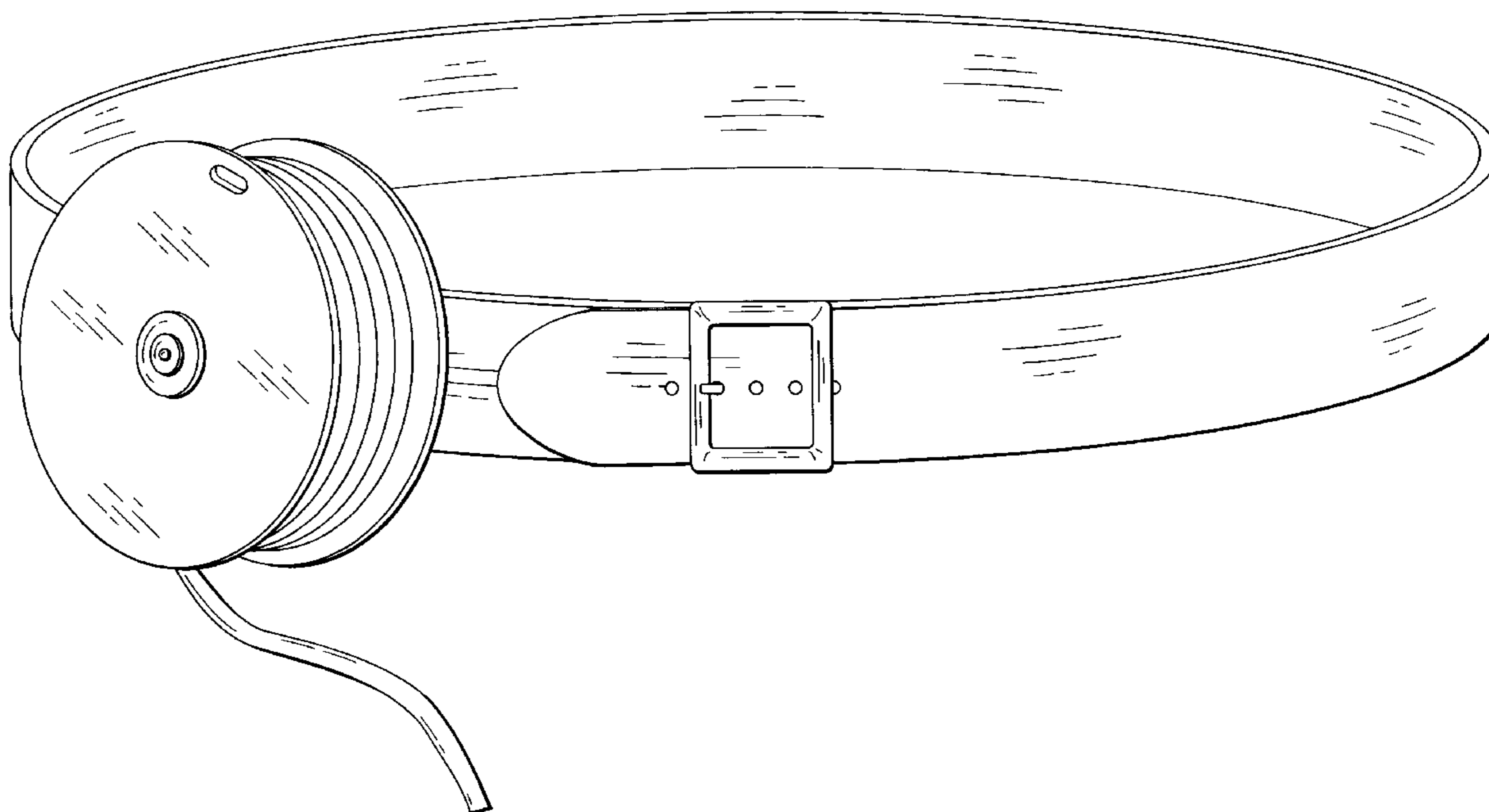
[57] **CLAIM**

The ornamental design for a child's safety and training belt, as shown and described.

DESCRIPTION

FIG. 1 is a diagrammatic perspective view of the child's safety and training belt.
FIG. 2 is a front elevational view thereof.
FIG. 3 is a rear elevational view thereof.
FIG. 4 is a right side elevational view thereof.
FIG. 5 is a left side elevational view thereof.
FIG. 6 is a top plan view of the child's safety and training belt; and,
FIG. 7 is a bottom plan view thereof.

1 Claim, 5 Drawing Sheets



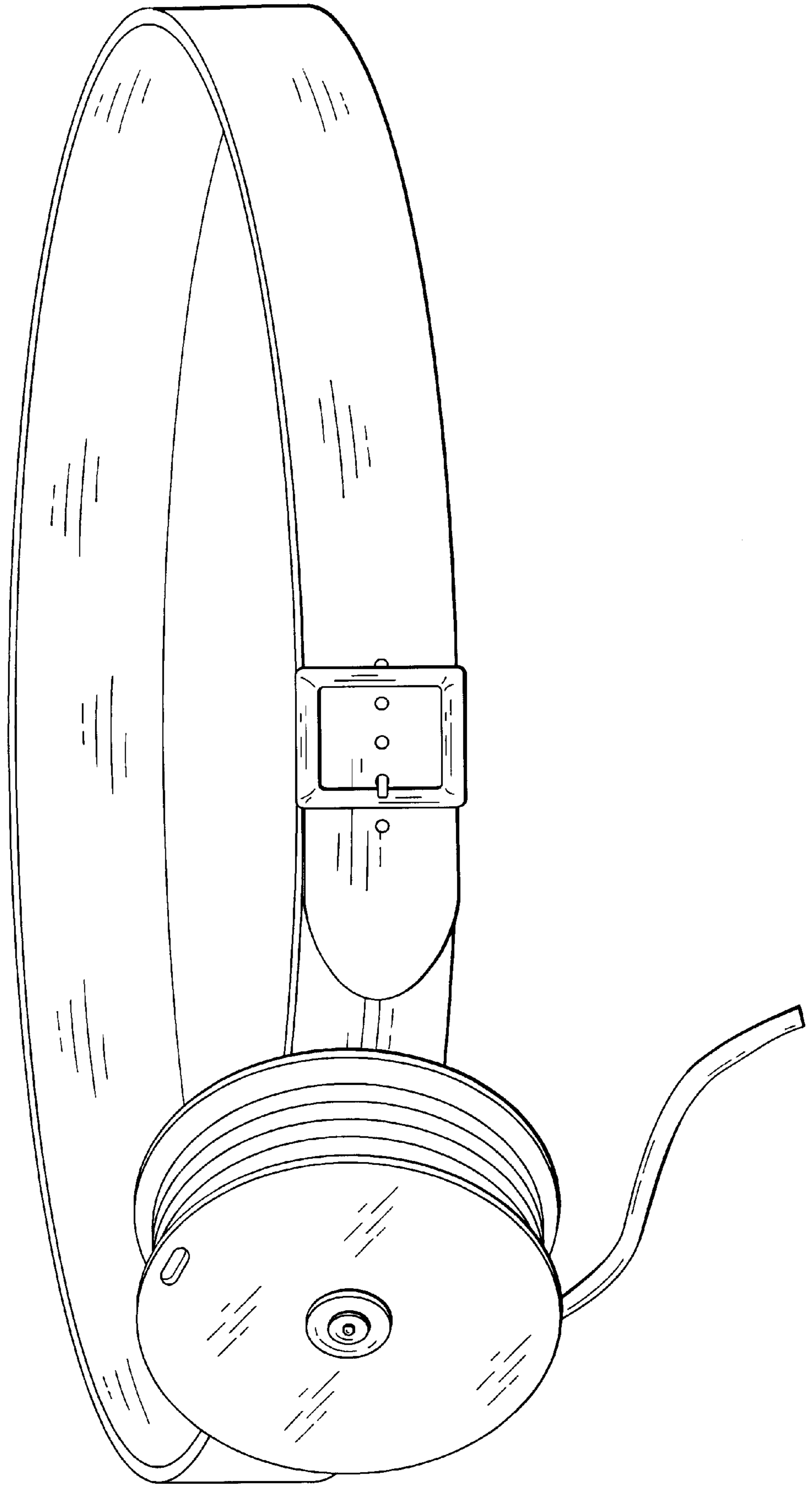


Fig. 1

Fig. 2

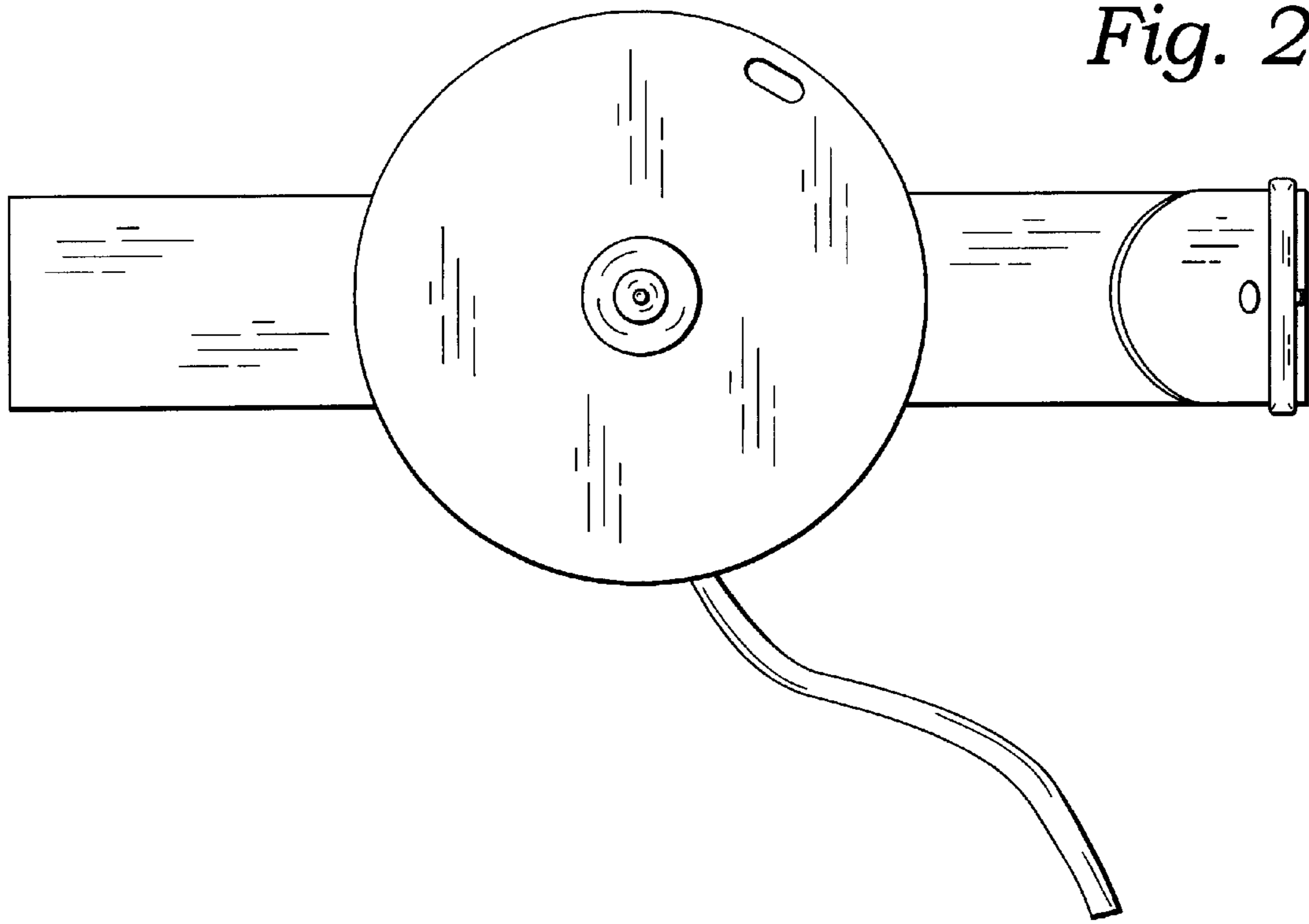
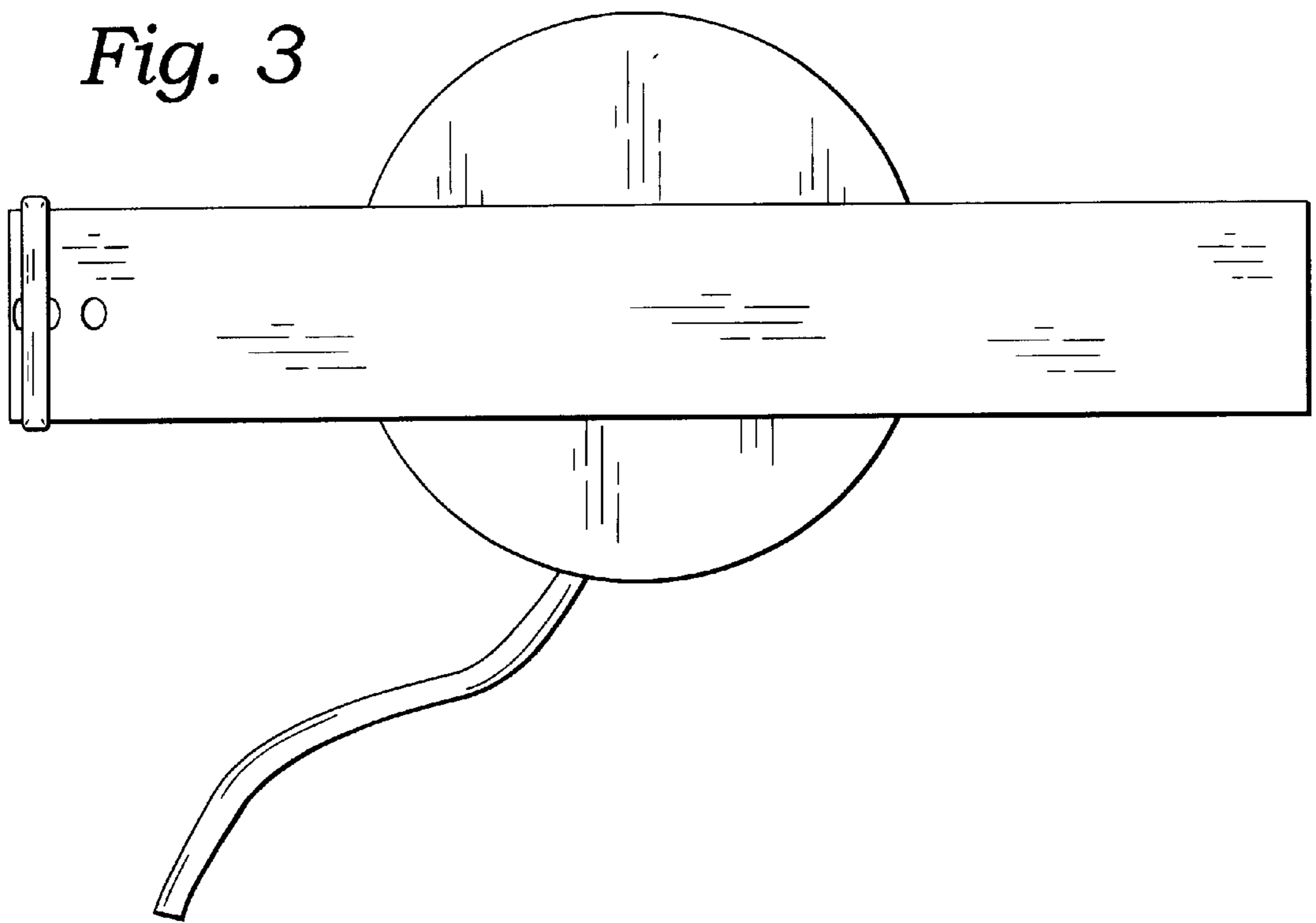


Fig. 3



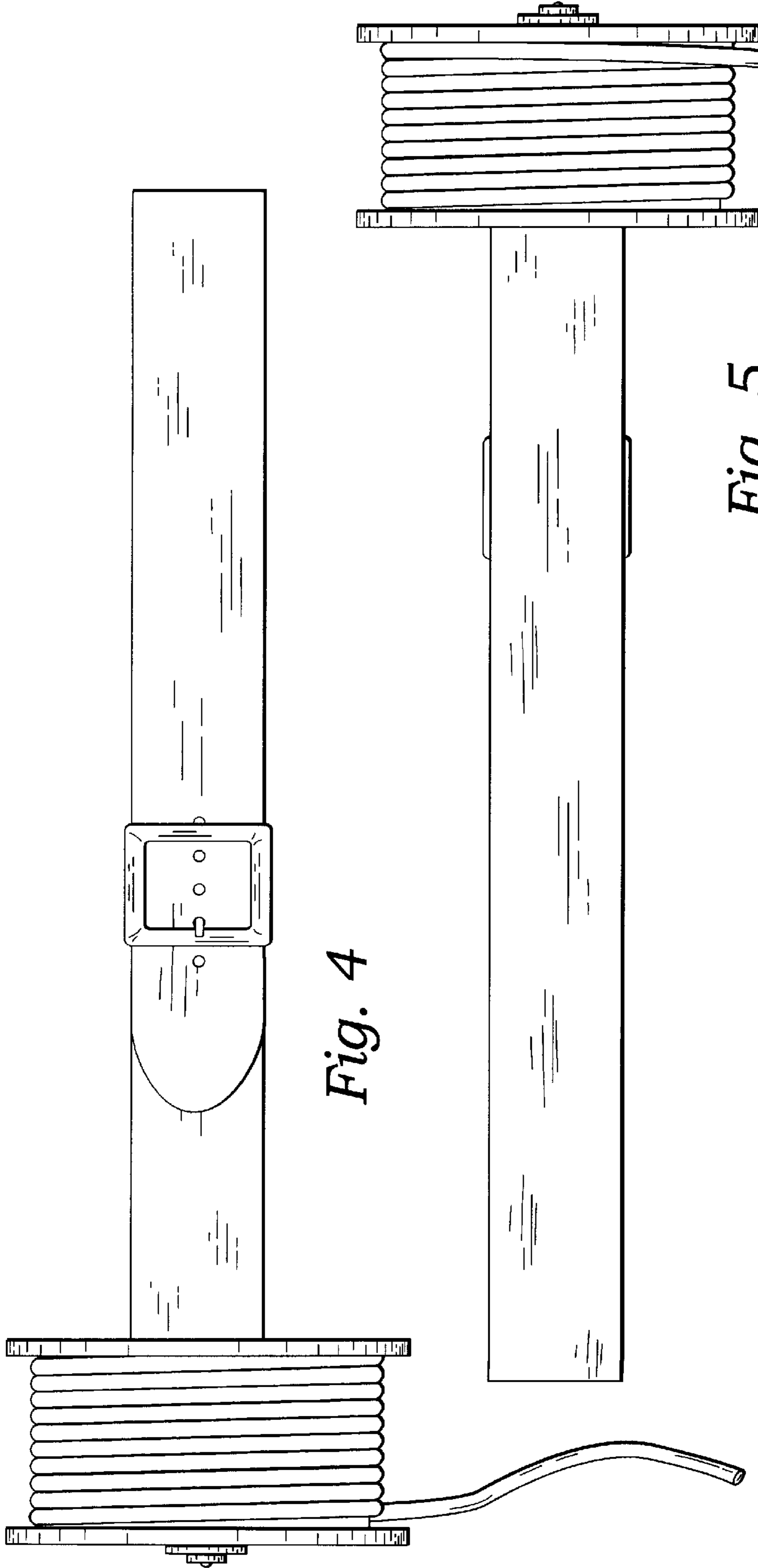


Fig. 4

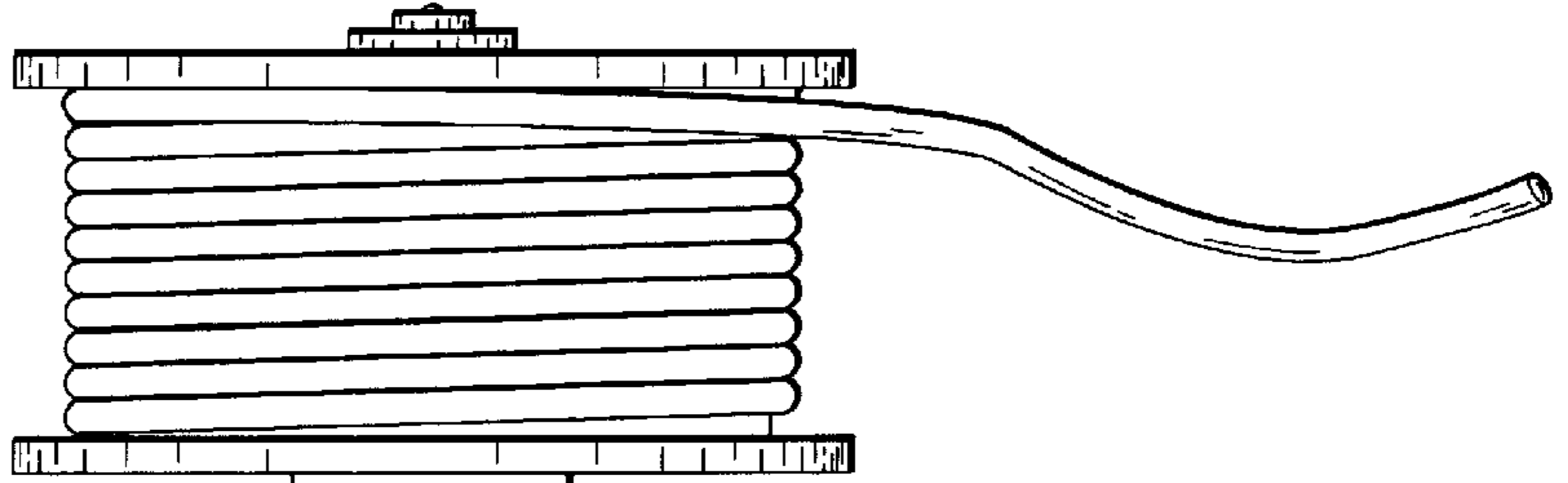


Fig. 5

Fig. 6

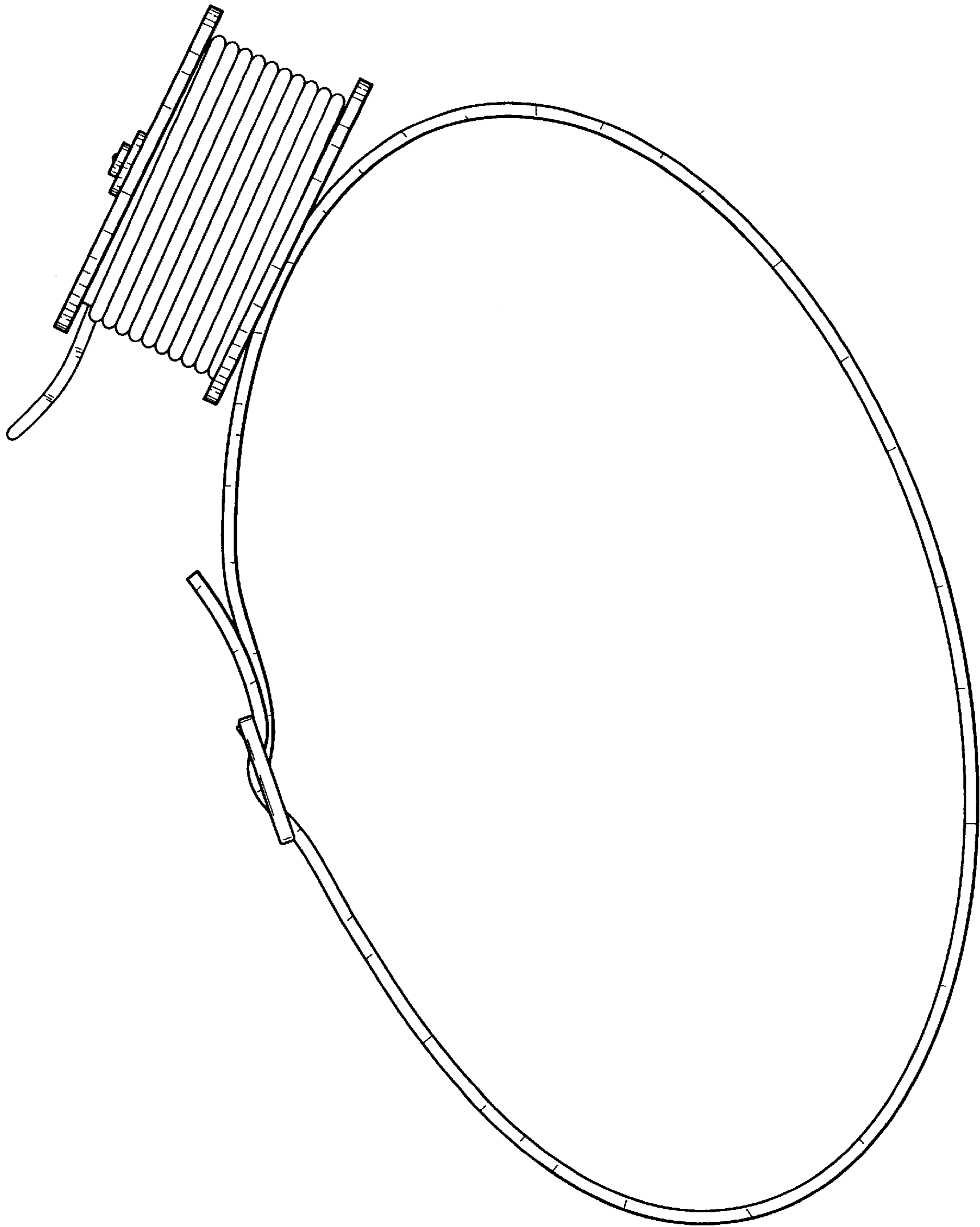


Fig. 7

