



US00D430947S

United States Patent [19]

[11] **Patent Number: Des. 430,947**

Dolan

[45] **Date of Patent: ** Sep. 12, 2000**

[54] **CHANDELIER**

OTHER PUBLICATIONS

[76] Inventor: **Patrick S. Dolan**, 1901 NW. Upshur, Portland, Oreg. 97209

Dolan Designs lighting catalog, 1995, p. 6, chandelier. Home Lighting and Accessories, , Mar. 1995, p. 75, chandelier #3421/6+3.

[**] Term: **14 Years**

Primary Examiner—Susan J. Lucas

[21] Appl. No.: **29/116,538**

[57] **CLAIM**

[22] Filed: **Jan. 4, 2000**

The ornamental design for a chandelier, as shown and described.

[51] **LOC (7) Cl.** **26-05**

DESCRIPTION

[52] **U.S. Cl.** **D26/86**

FIG. 1 is a perspective view thereof;
FIG. 2 is a front elevational view thereof;
FIG. 3 is a top plan view thereof; and,
FIG. 4 is a bottom plan view thereof.
The broken lines shown in the drawing are environmental only and form no part of the claimed design.

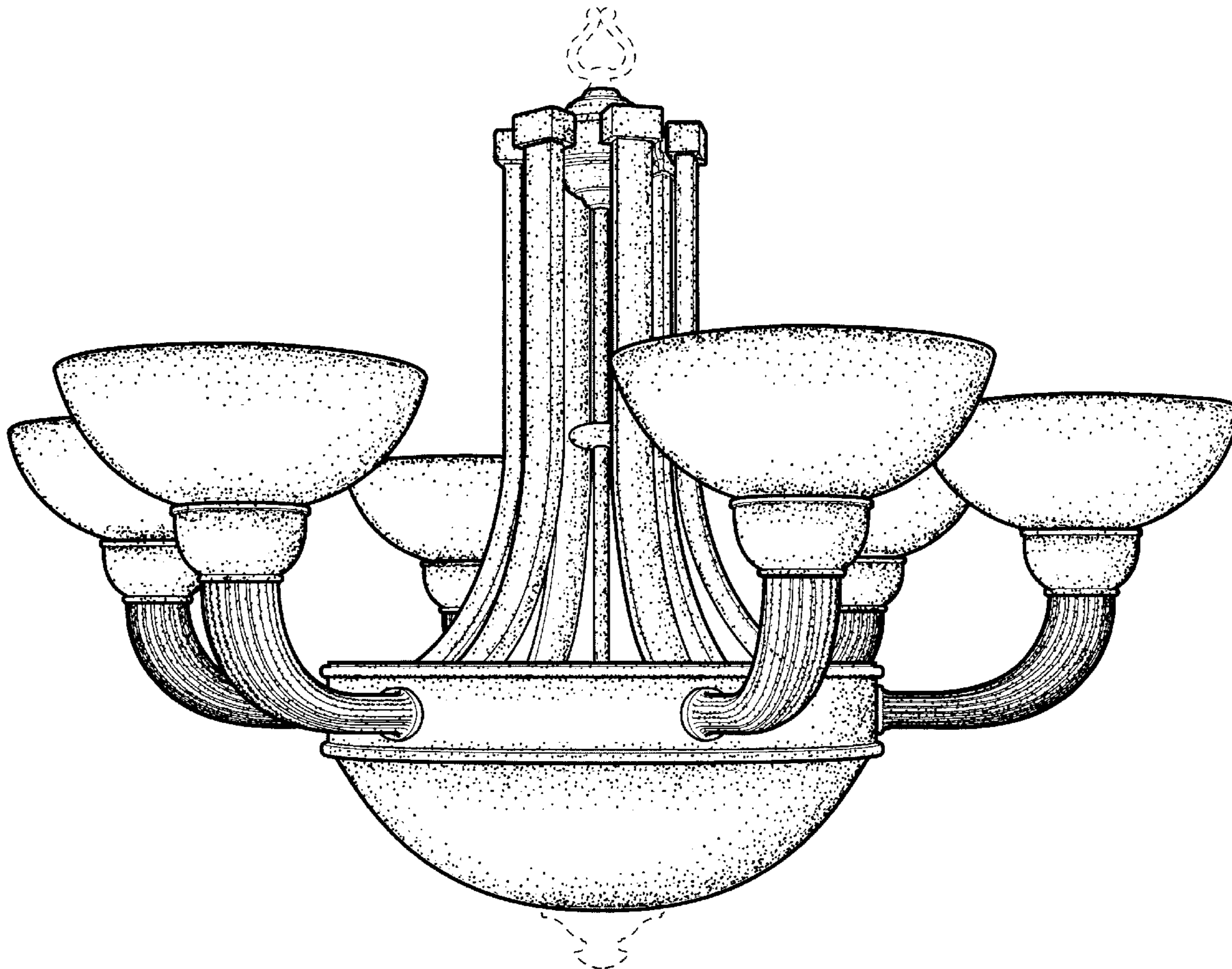
[58] **Field of Search** D26/72, 80-92;
362/147, 404-408

[56] **References Cited**

U.S. PATENT DOCUMENTS

D. 404,162 1/1999 Dolan D26/84

1 Claim, 4 Drawing Sheets



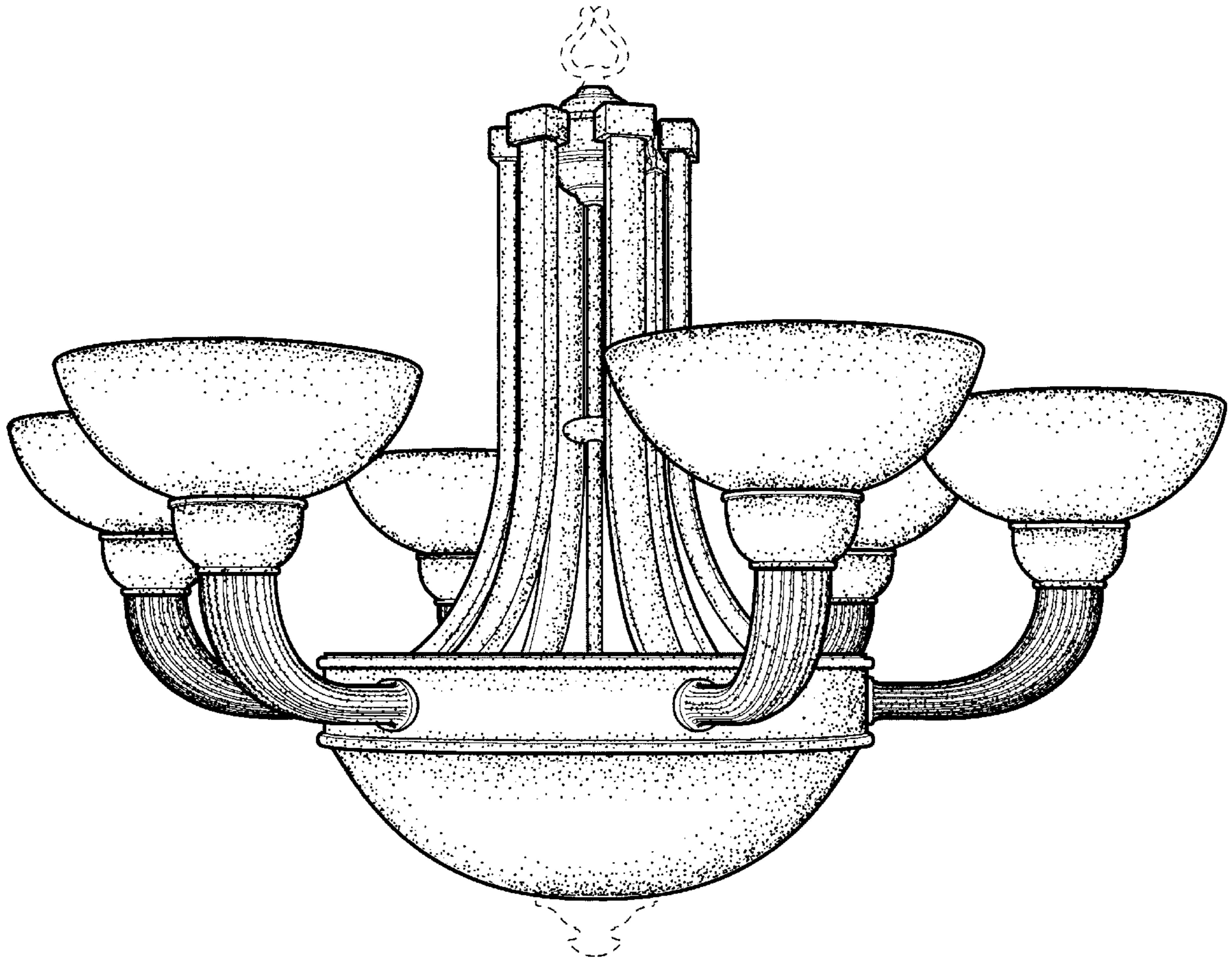


FIG. 1

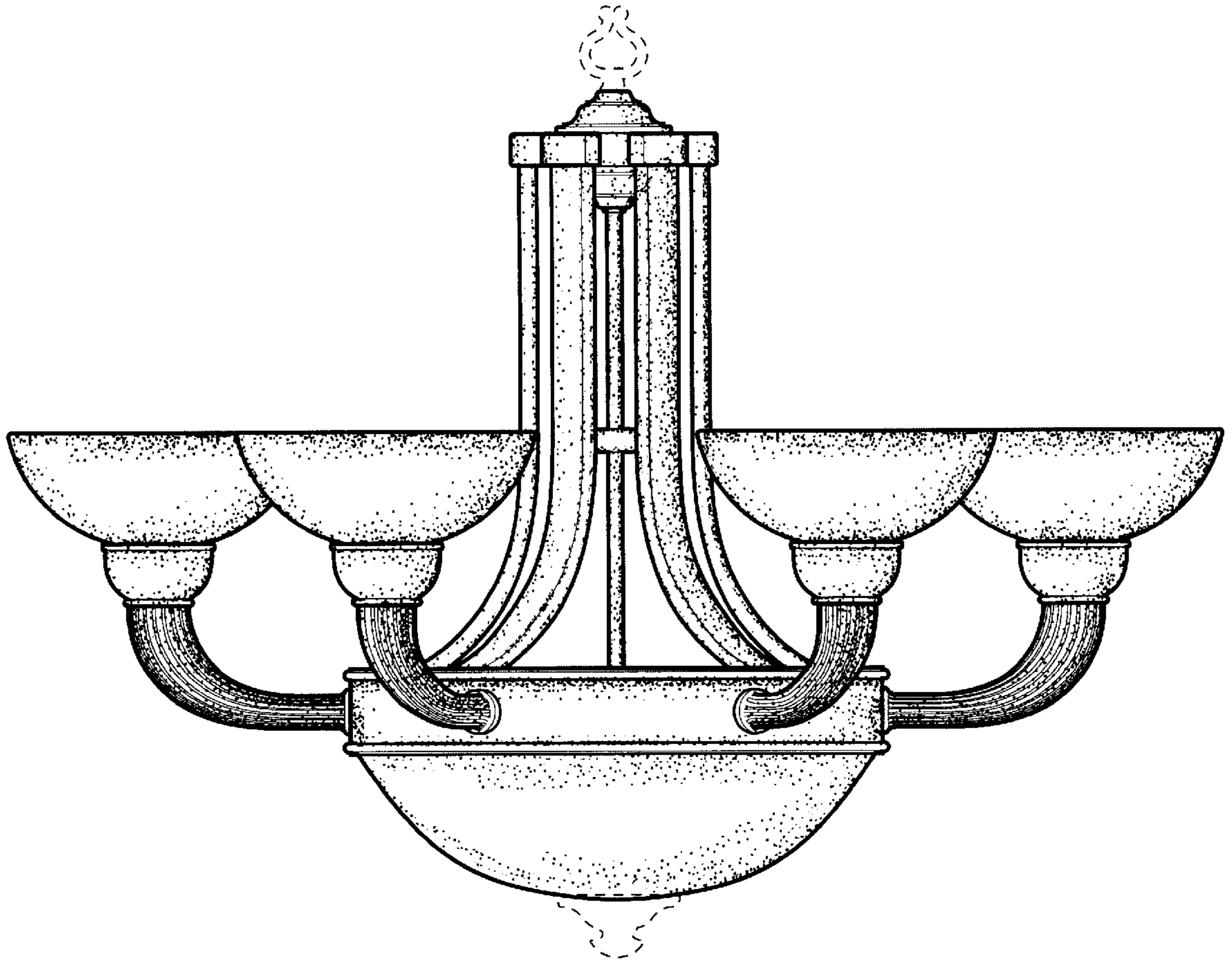


FIG. 2

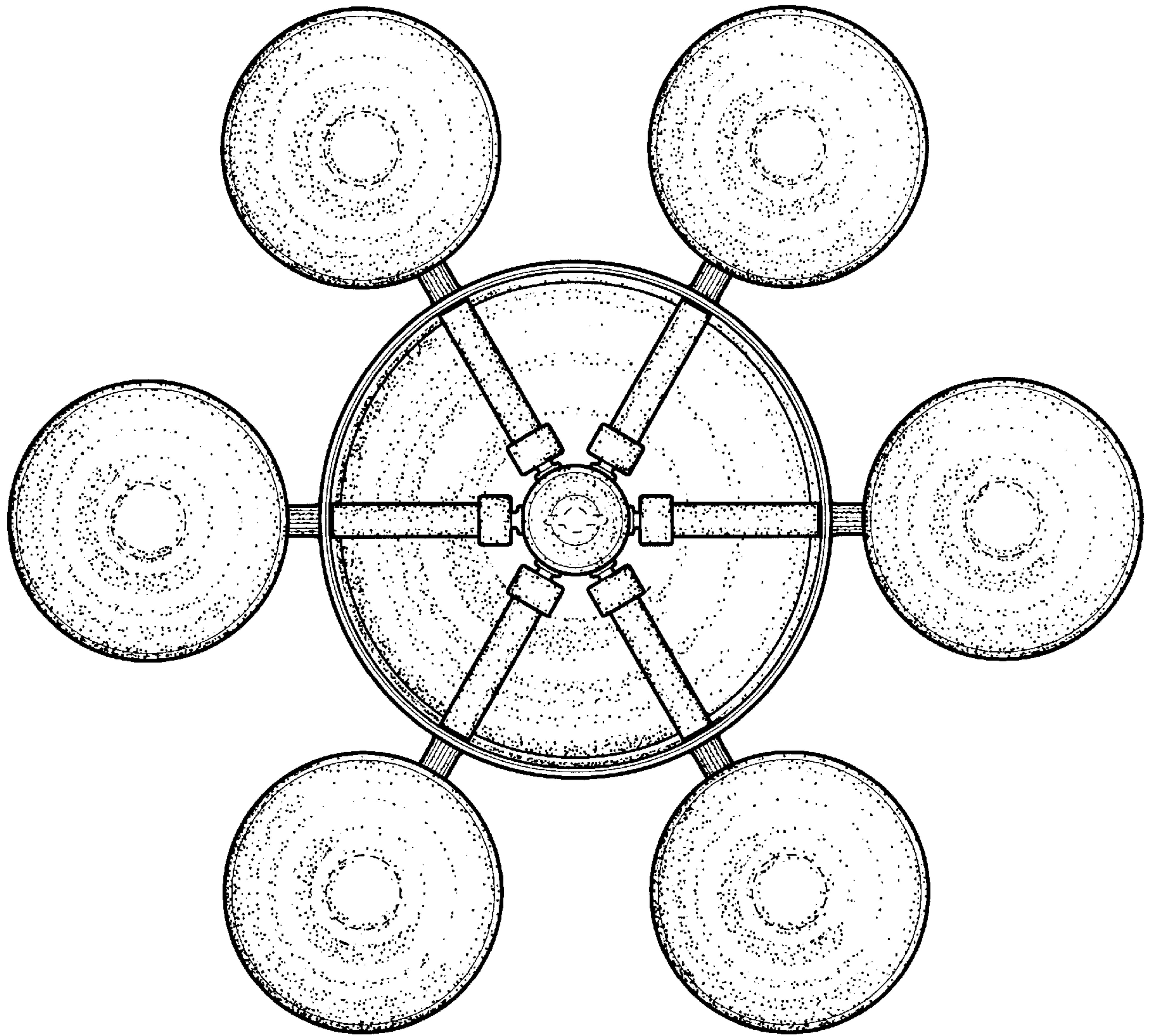


FIG. 3

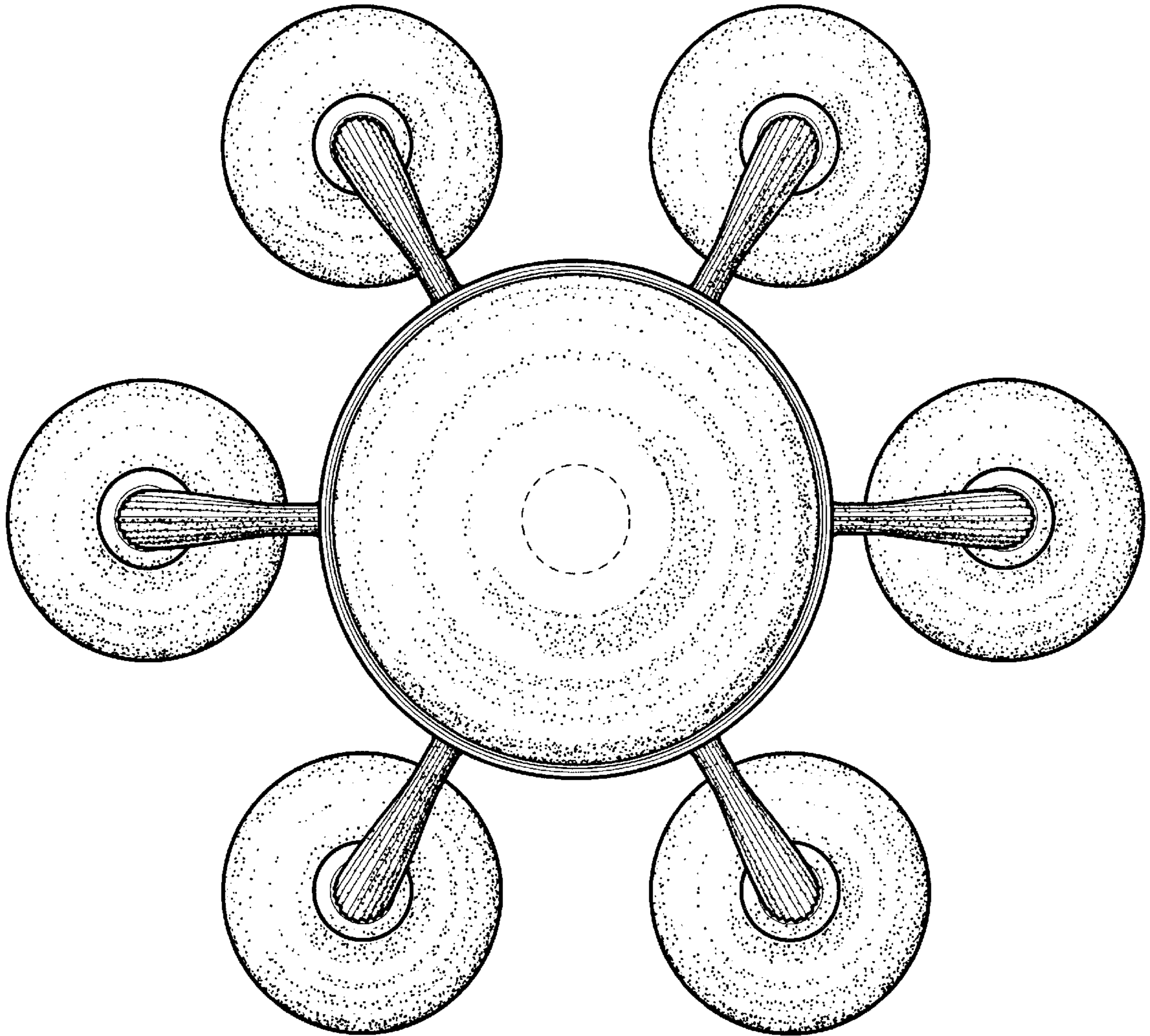


FIG. 4