



US00D430946S

United States Patent [19]
MacAllister et al.

[11] **Patent Number: Des. 430,946**

[45] **Date of Patent: ** Sep. 12, 2000**

[54] **UNDERWATER FISHING LIGHT**

D. 426,005 5/2000 Reniger et al. D26/28

[76] Inventors: **Andrew C MacAllister**, 14714 Knights Way Dr., Houston, Tex. 77083; **John M Ross**, 1618 Lehman, Houston, Tex. 77018; **Stuart B Ross**, 1107 Londonderry Ave., Friendswood, Tex. 77546; **Michael A Scarcella**, 310 Lombardy Dr., Sugar Land, Tex. 77478

Primary Examiner—Marcus A. Jackson

[57] **CLAIM**

The ornamental design for an underwater fishing light, as shown and described.

DESCRIPTION

FIG. 1 is a perspective view of an underwater fishing light showing our new design from the top, one end, and one side; FIG. 2 is a perspective view thereof showing our design from the bottom, and end and side opposite that is shown in FIG. 1;

FIG. 3 is a perspective view of a second embodiment of the underwater fishing light showing our design for the top, one end, and one side; and,

FIG. 4 is a perspective view thereof showing our design from the bottom, and end and side opposite that is shown in FIG. 3.

[**] Term: **14 Years**

[21] Appl. No.: **29/120,399**

[22] Filed: **Mar. 21, 2000**

[51] **LOC (7) Cl.** **26-02**

[52] **U.S. Cl.** **D26/38**

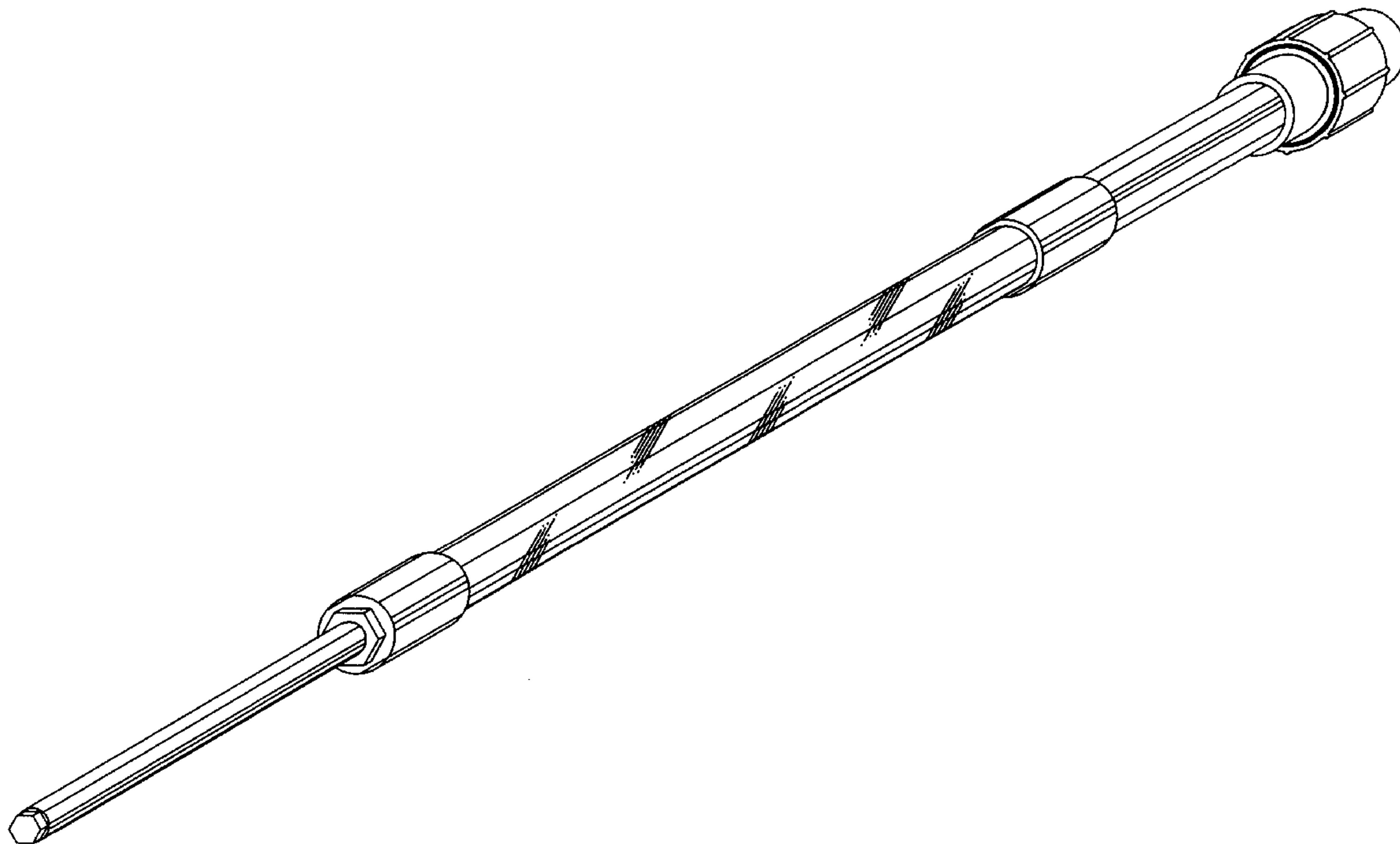
[58] **Field of Search** D26/28-36; 362/61, 362/80, 80.1, 83, 83.3, 267, 307, 311, 362

[56] **References Cited**

U.S. PATENT DOCUMENTS

D. 416,344 11/1999 Hawkins D26/42

1 Claim, 4 Drawing Sheets



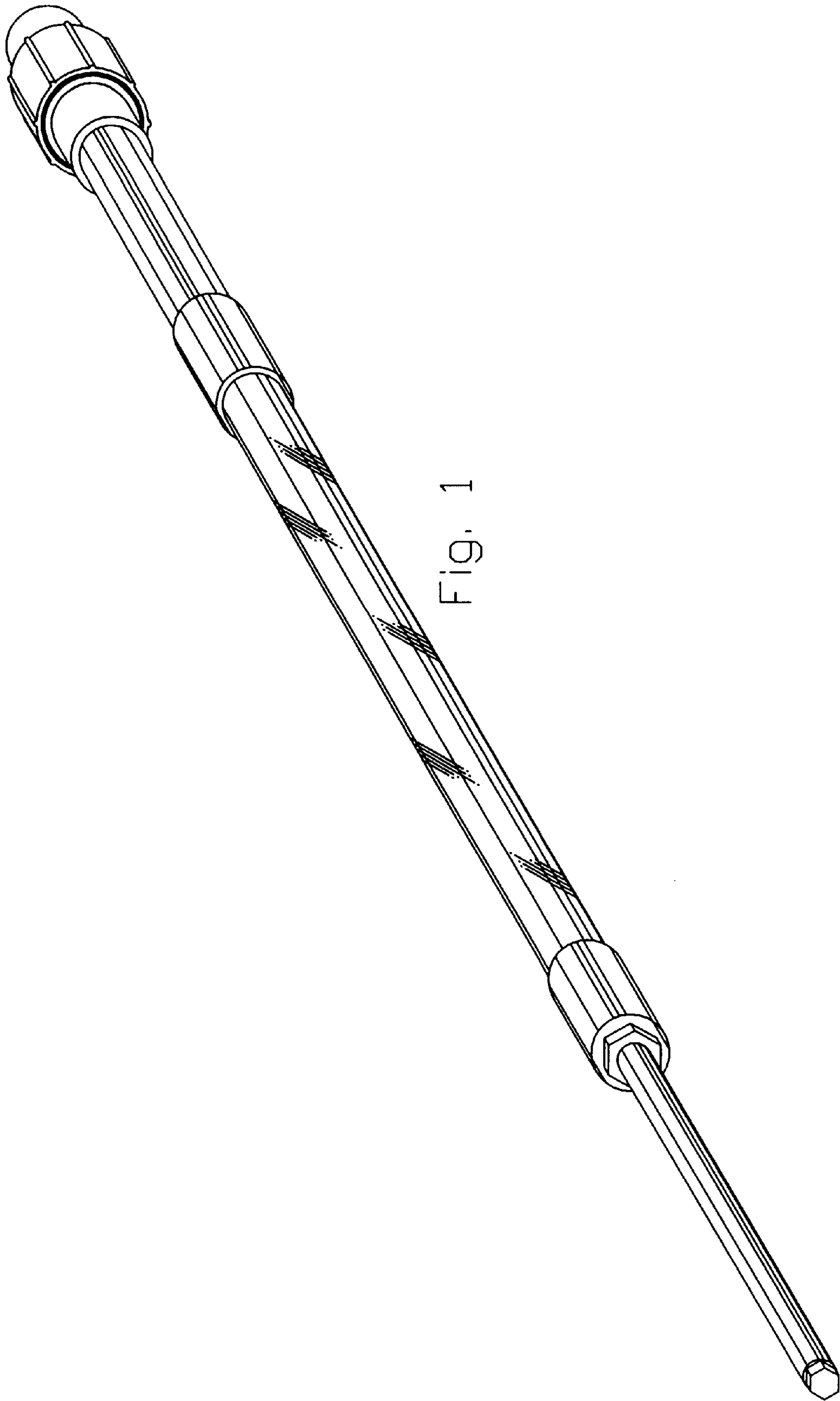


Fig. 1

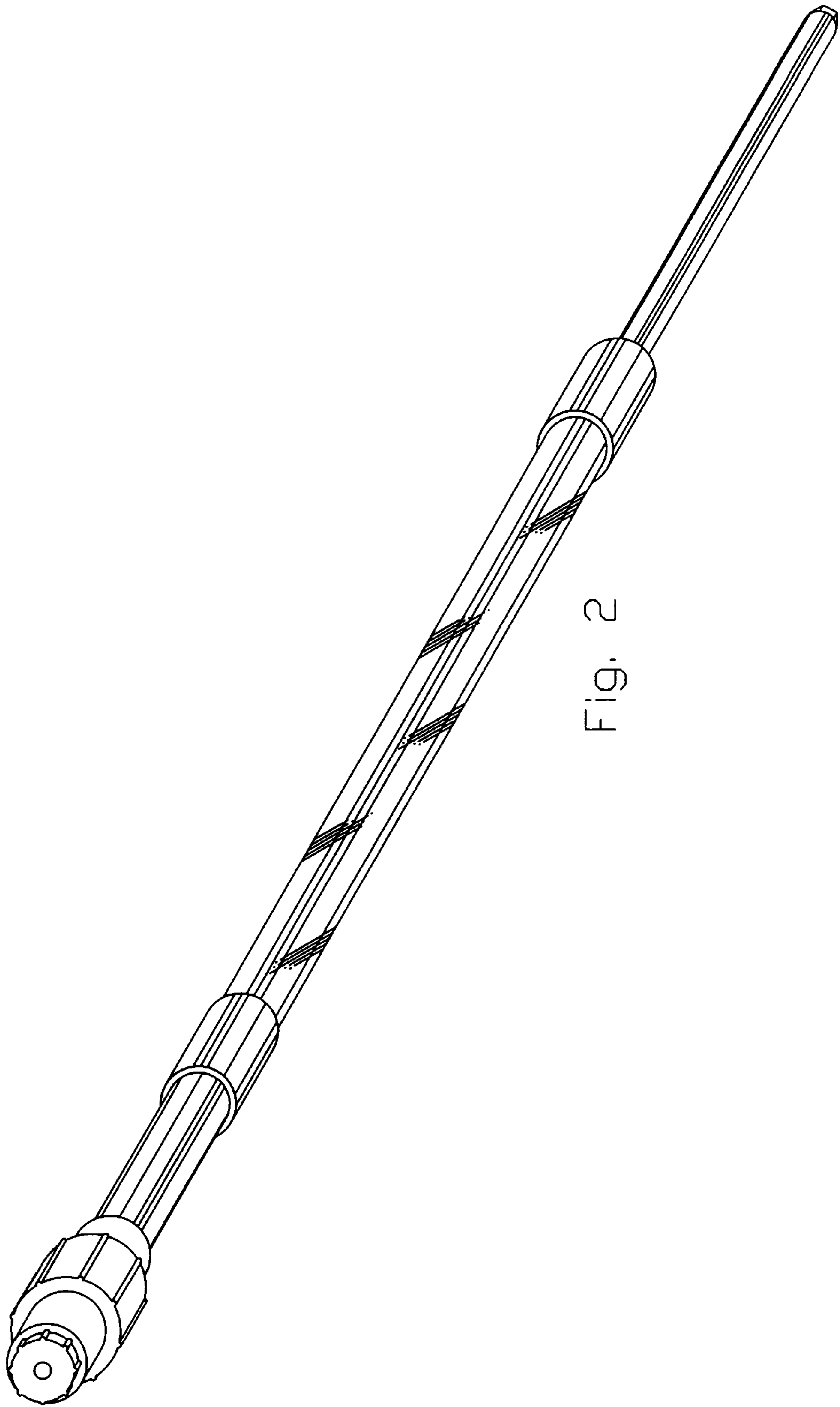


FIG. 2

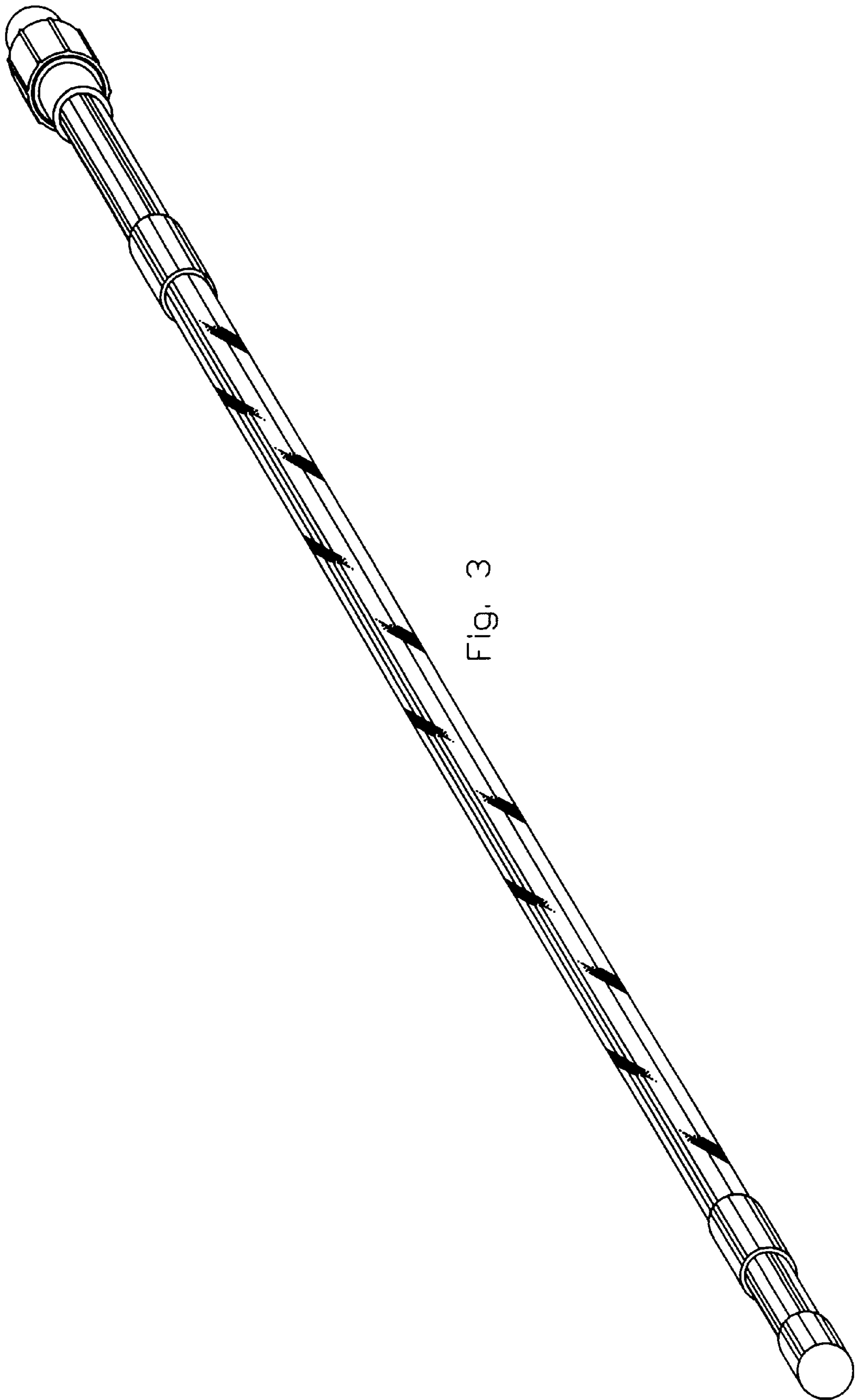


Fig. 3

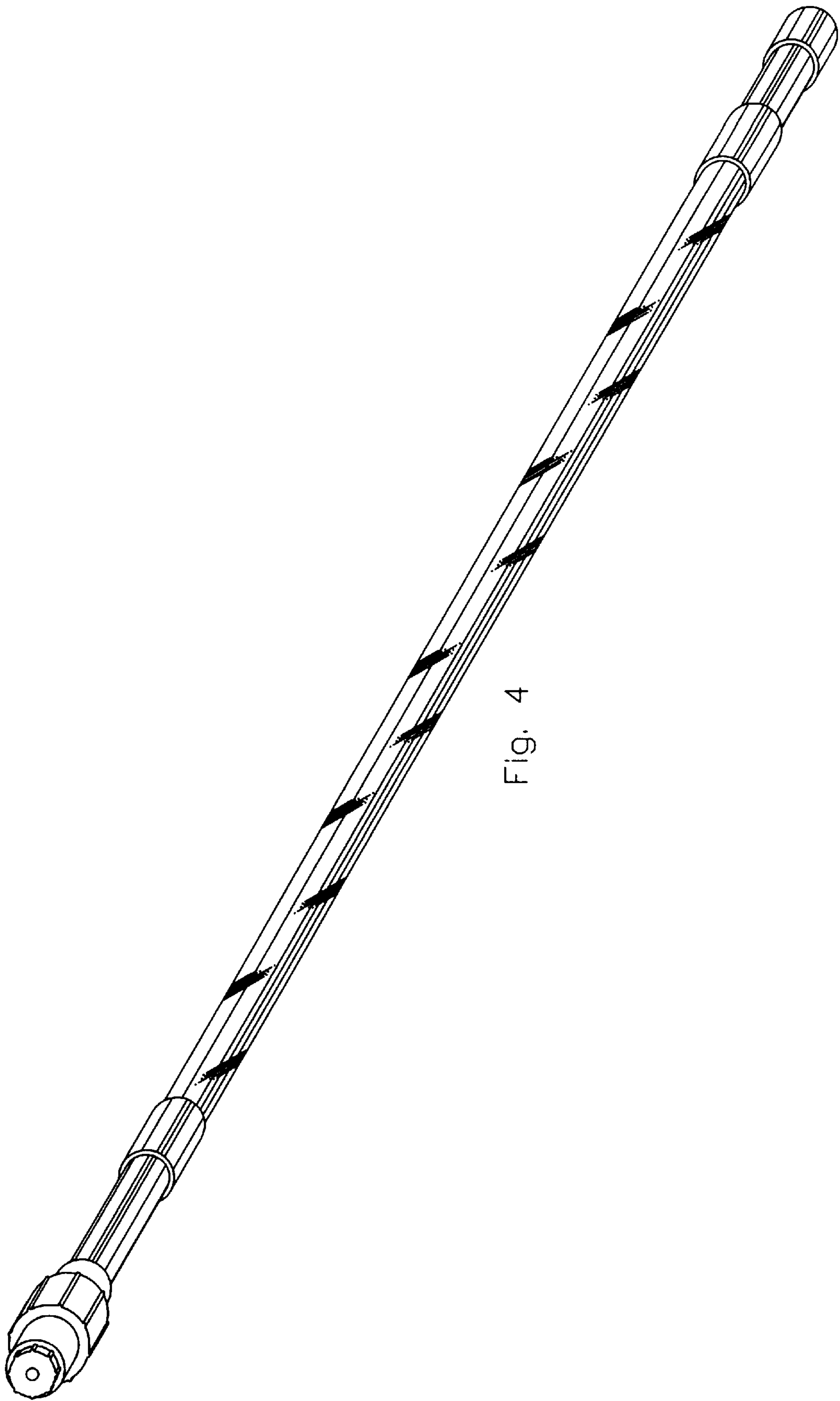


Fig. 4