



US00D430942S

United States Patent [19]
Schuster

[11] **Patent Number: Des. 430,942**

[45] **Date of Patent: ** Sep. 12, 2000**

[54] **LANDSCAPE LIGHTPOST**

[75] Inventor: **Jack Schuster**, Mound, Minn.

[73] Assignee: **Engineered Products Co.**, Plymouth, Minn.

[**] Term: **14 Years**

[21] Appl. No.: **29/108,822**

[22] Filed: **Aug. 4, 1999**

[51] **LOC (7) Cl.** **25-01**

[52] **U.S. Cl.** **D25/126**

[58] **Field of Search** D25/126; 52/726.4;
362/84, 382, 431

[56] **References Cited**

U.S. PATENT DOCUMENTS

D. 374,942 10/1996 Lee D25/126
5,667,174 9/1997 Adams 362/431

Primary Examiner—Doris Clark

Attorney, Agent, or Firm—Schwegman, Lundberg, Woessner & Kluth, P.A.

[57] **CLAIM**

The ornamental design for a landscape lightpost, as shown and described.

DESCRIPTION

FIG. 1 is a perspective view of a landscape lightpost, incorporating the new design.

FIG. 2 is a front elevation of the landscape lightpost of FIG. 1.

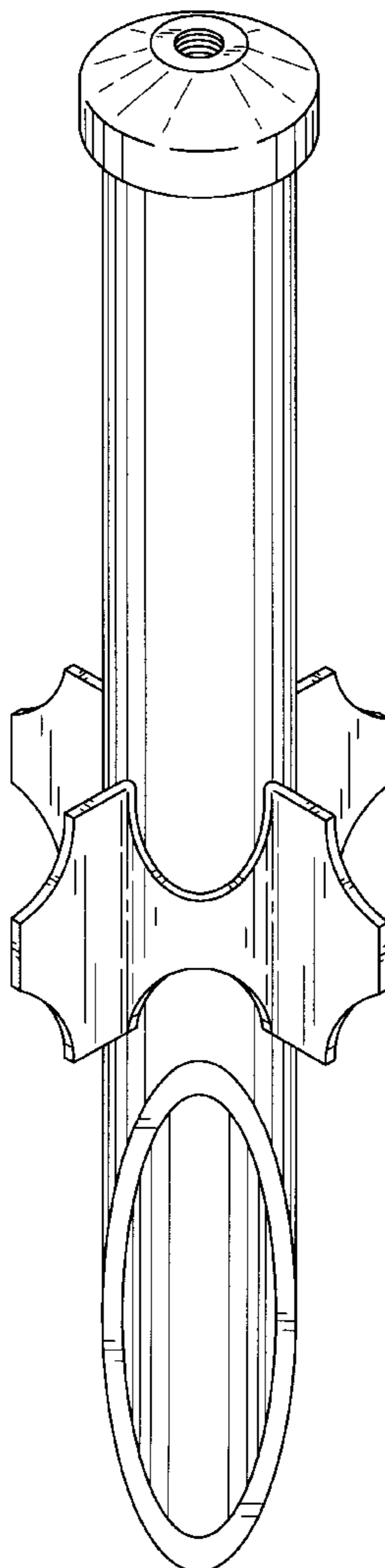
FIG. 3 is a left side elevation of the landscape lightpost of FIG. 1.

FIG. 4 is a right side elevation of the landscape lightpost of FIG. 1.

FIG. 5 is a rear elevation of the landscape lightpost of FIG. 1.

FIG. 6 is a top plan of the landscape lightpost of FIG. 1; and, FIG. 7 is a bottom plan of the landscape lightpost of FIG. 1.

1 Claim, 6 Drawing Sheets



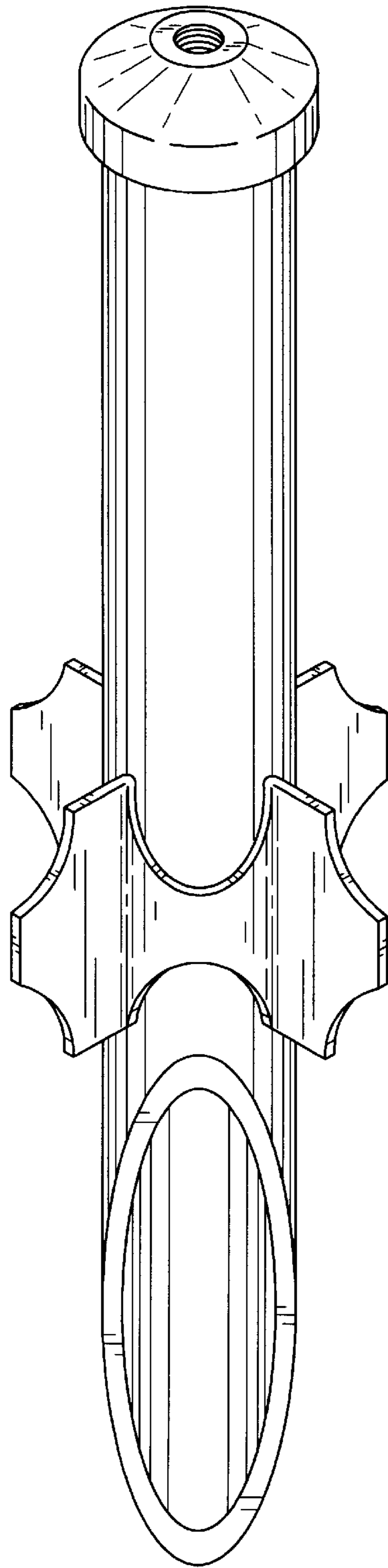


FIG. 1

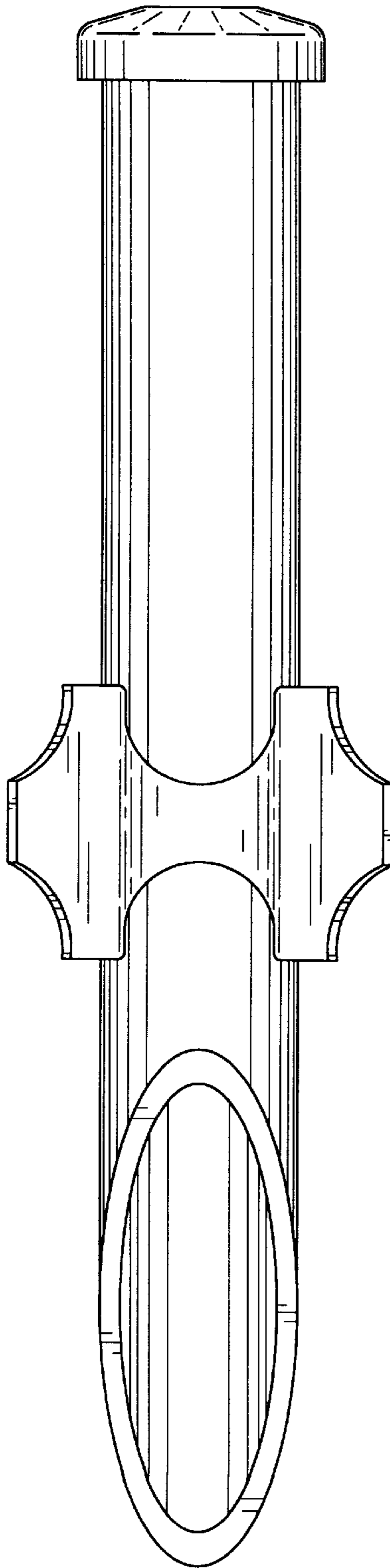


FIG. 2

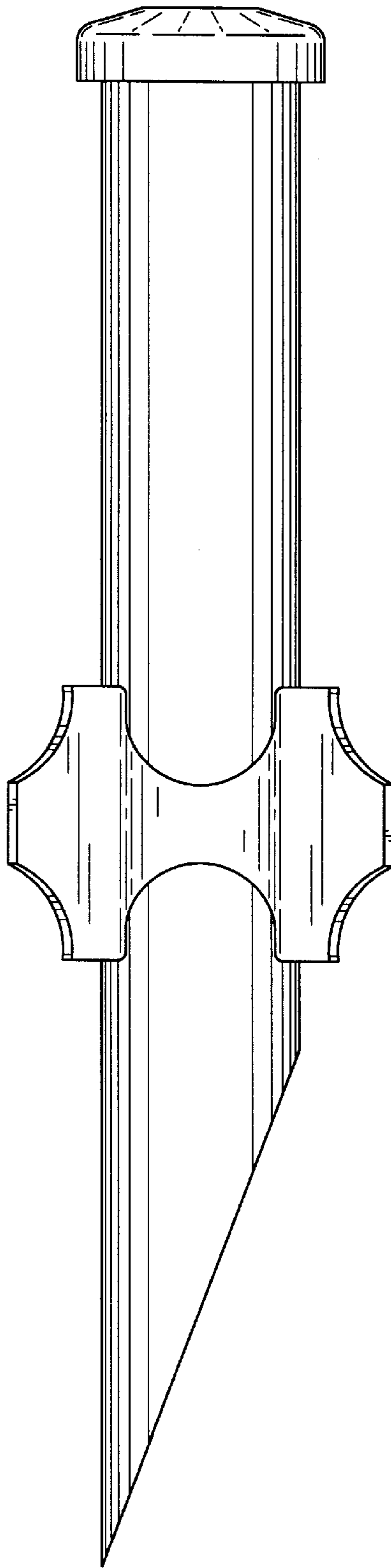


FIG. 3

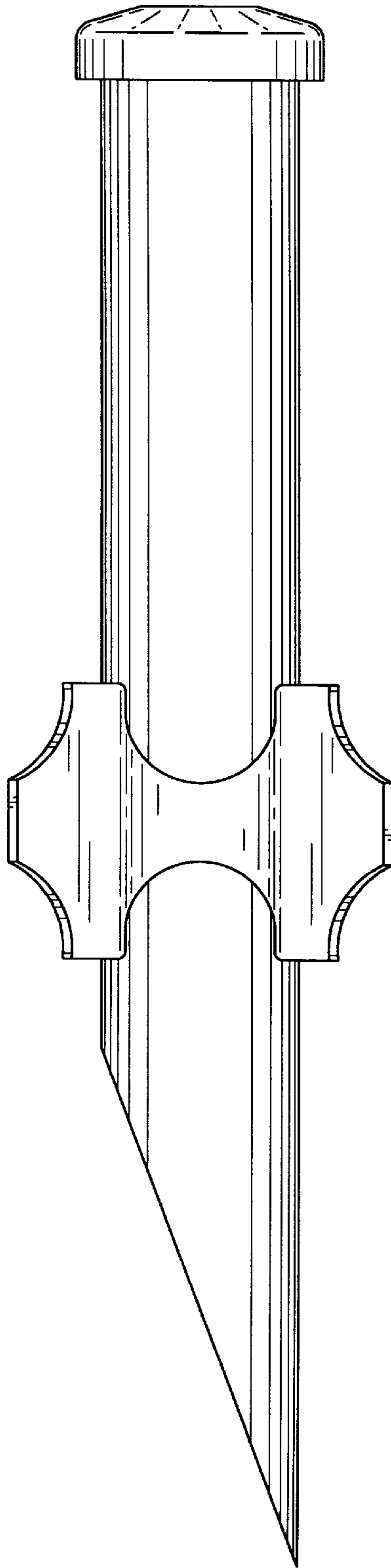


FIG. 4

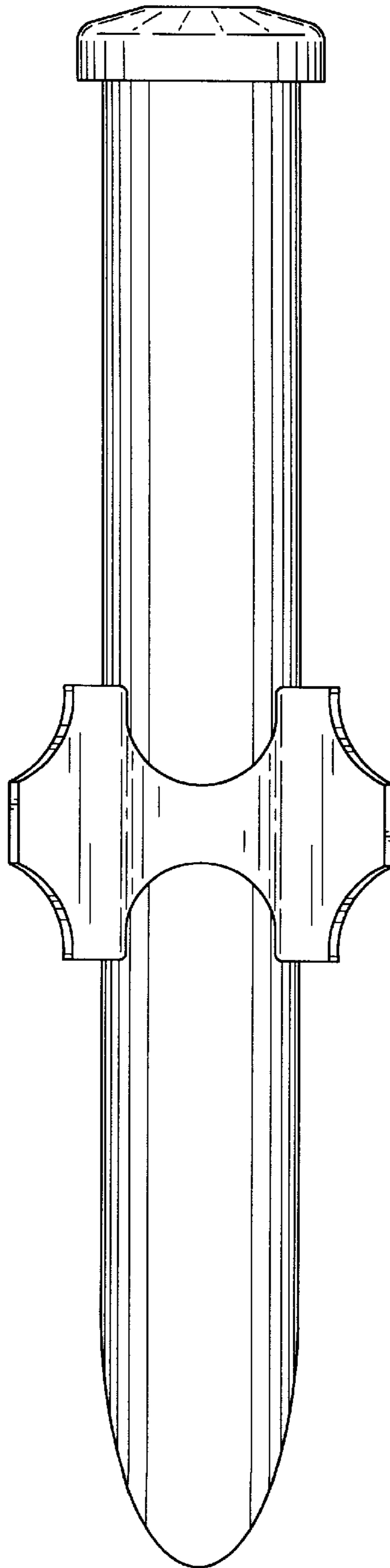


FIG. 5

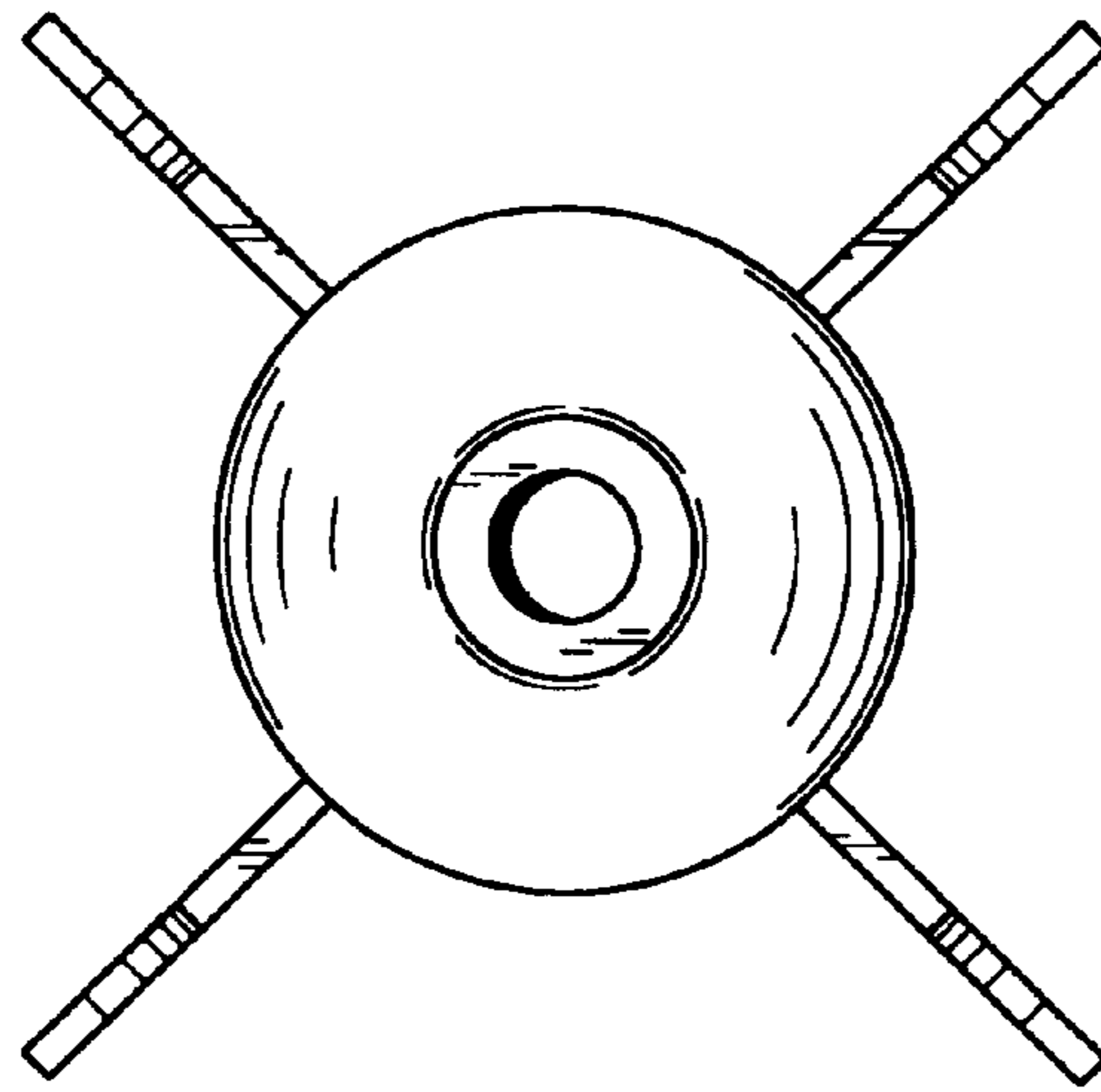


FIG. 6

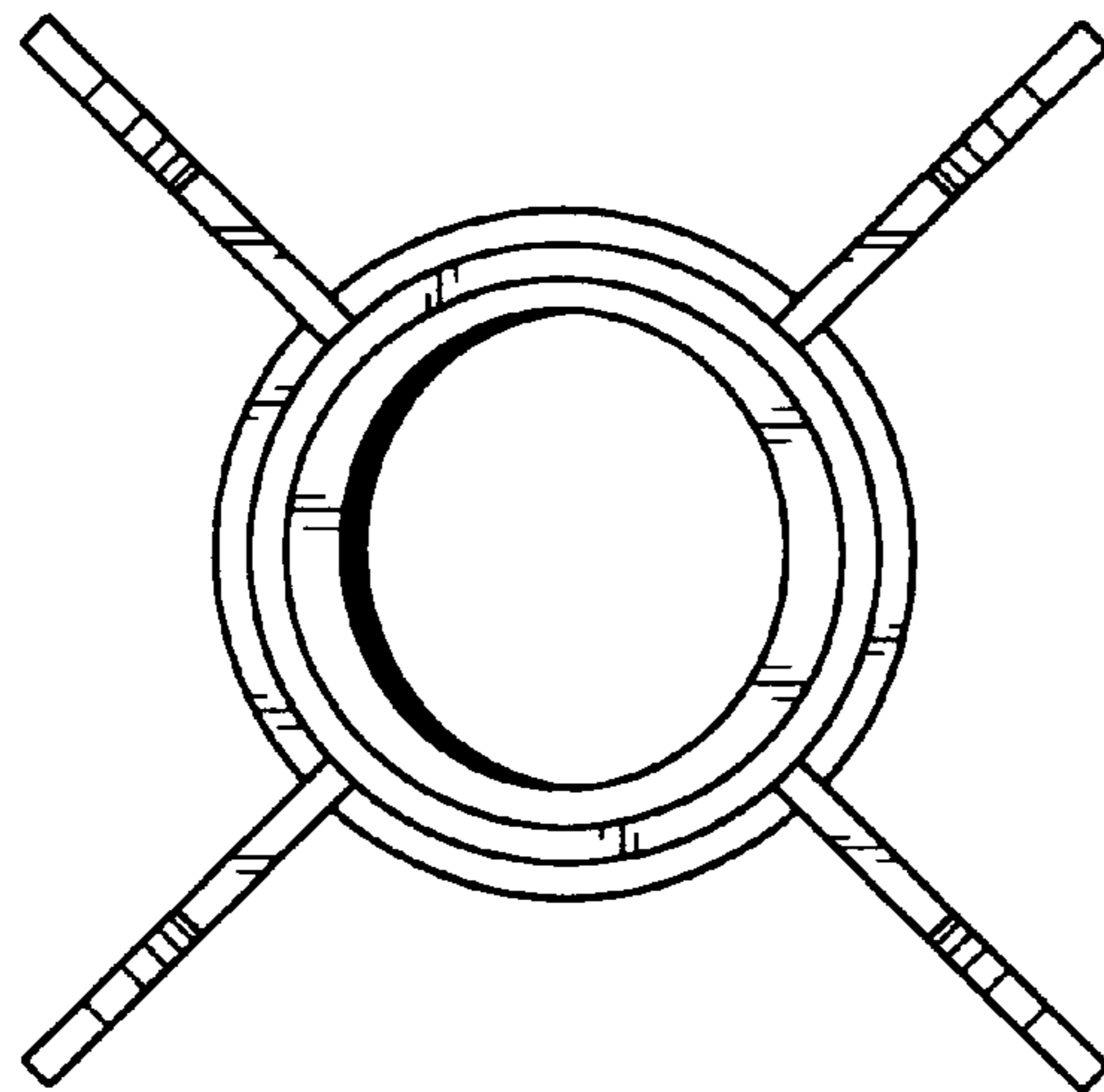


FIG. 7