



US00D430941S

United States Patent [19]

Franson et al.

[11] Patent Number: **Des. 430,941**

[45] Date of Patent: **** Sep. 12, 2000**

[54] WINDOW COMPONENT EXTRUSION

D. 408,562 4/1999 Kenkel et al. D25/124

[75] Inventors: **Jeffrey R. Franson**, Maple Valley;
Douglas L. Cole, Seattle, both of Wash.

Primary Examiner—Doris Clark
Attorney, Agent, or Firm—Richardson & Folise

[73] Assignee: **Mikron Industries, Inc.**, Kent, Wash.

[57] **CLAIM**

[**] Term: **14 Years**

The ornamental design for a window component extrusion, as shown and described.

[21] Appl. No.: **29/120,229**

DESCRIPTION

[22] Filed: **Mar. 15, 2000**

FIG. 1 is a top right perspective view of the window component extrusion which is broken in the center indicating indefinite length.

[51] LOC (7) Cl. **25-01**

[52] U.S. Cl. **D25/124**

FIG. 2 is a bottom left perspective view of the window component extrusion shown in FIG. 1.

[58] Field of Search D25/52, 60, 124;
52/204.1; 49/501, 504, DIG. 2

FIG. 3 is a top right perspective view of a second embodiment of the window component extrusion which is broken in the center indicating indefinite length; and,

[56] **References Cited**

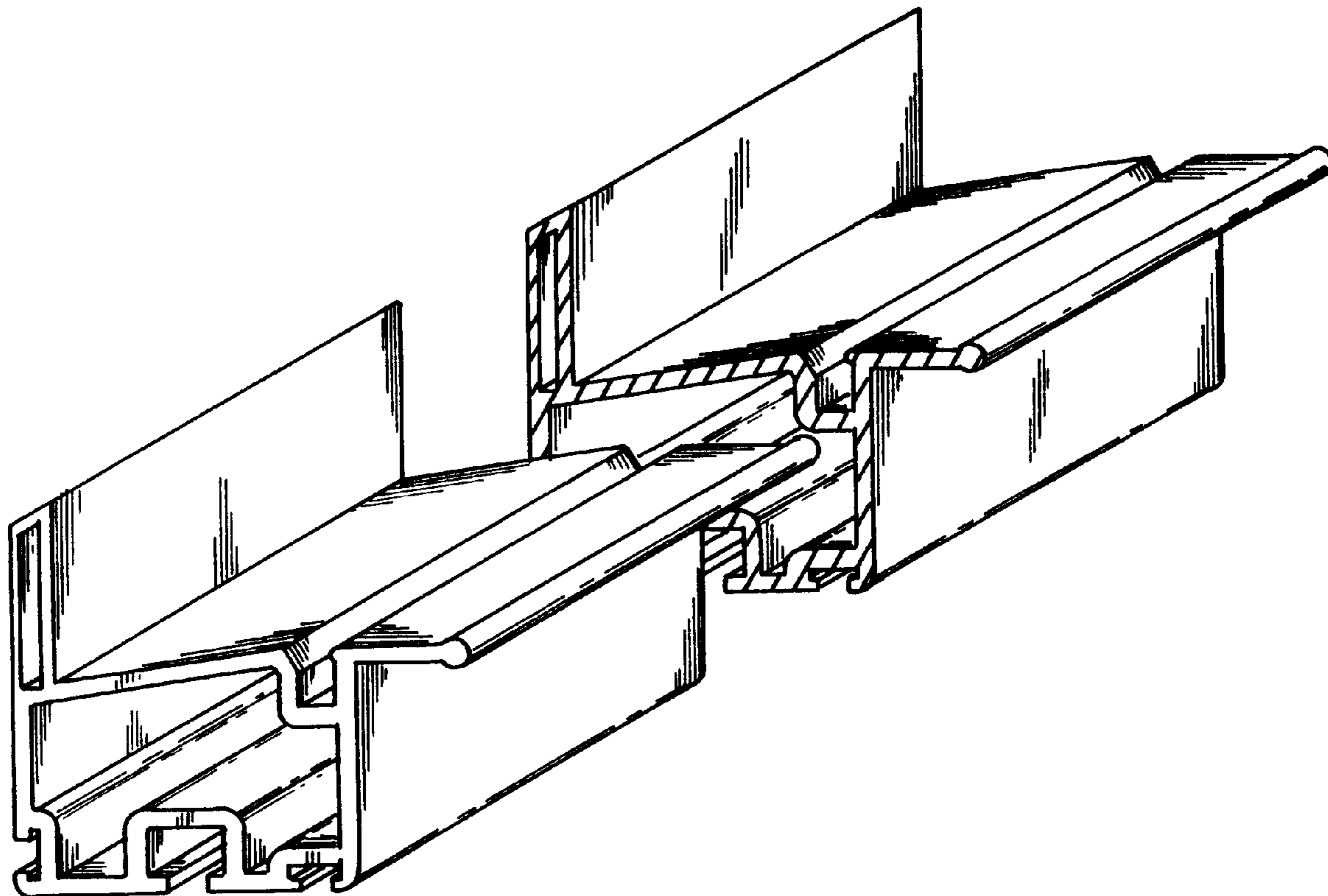
U.S. PATENT DOCUMENTS

FIG. 4 is a bottom left perspective view of the window component extrusion shown in FIG. 3.

D. 357,750 4/1995 Schrader .

D. 402,050 12/1998 Leonelli D25/124

1 Claim, 2 Drawing Sheets



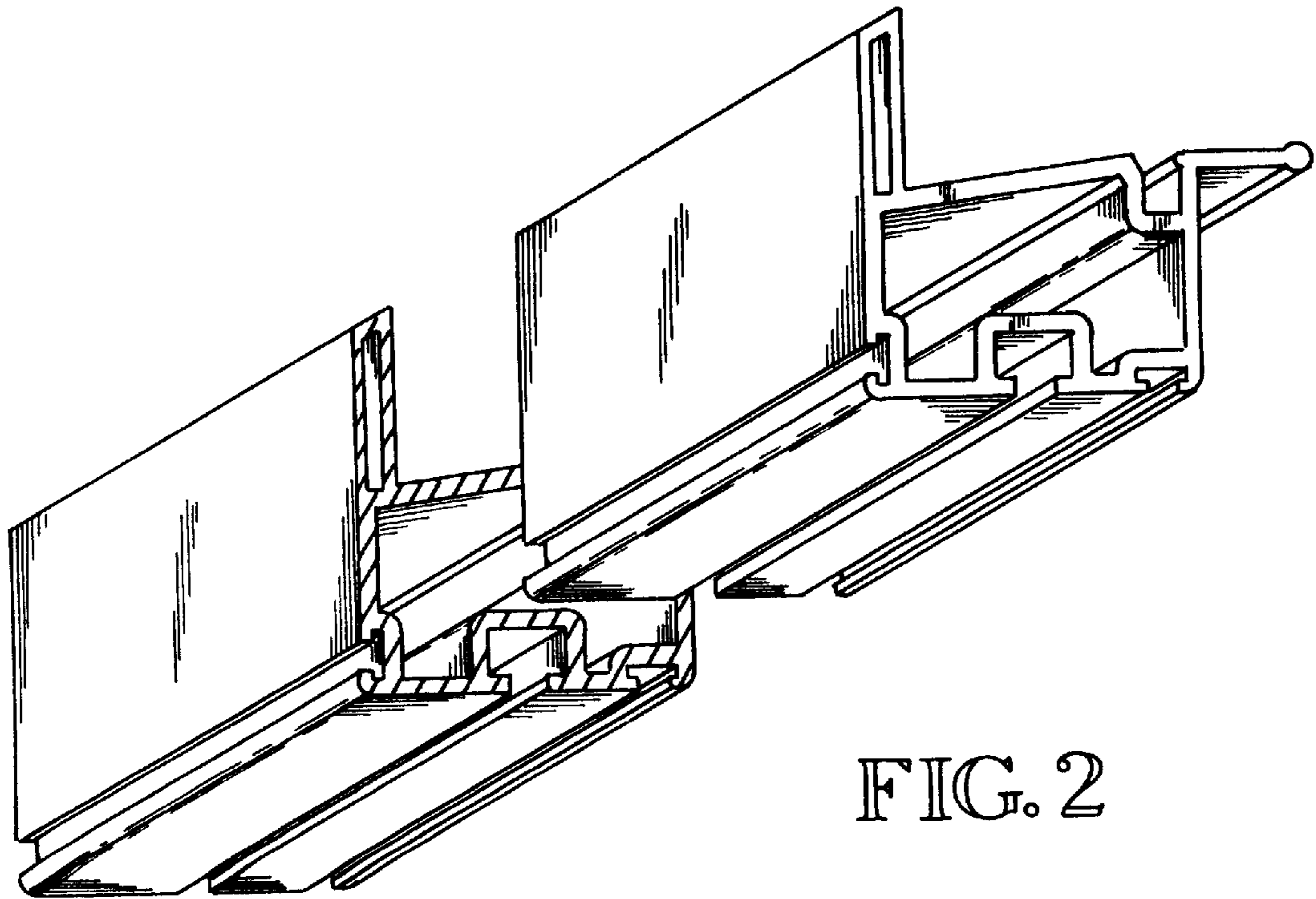
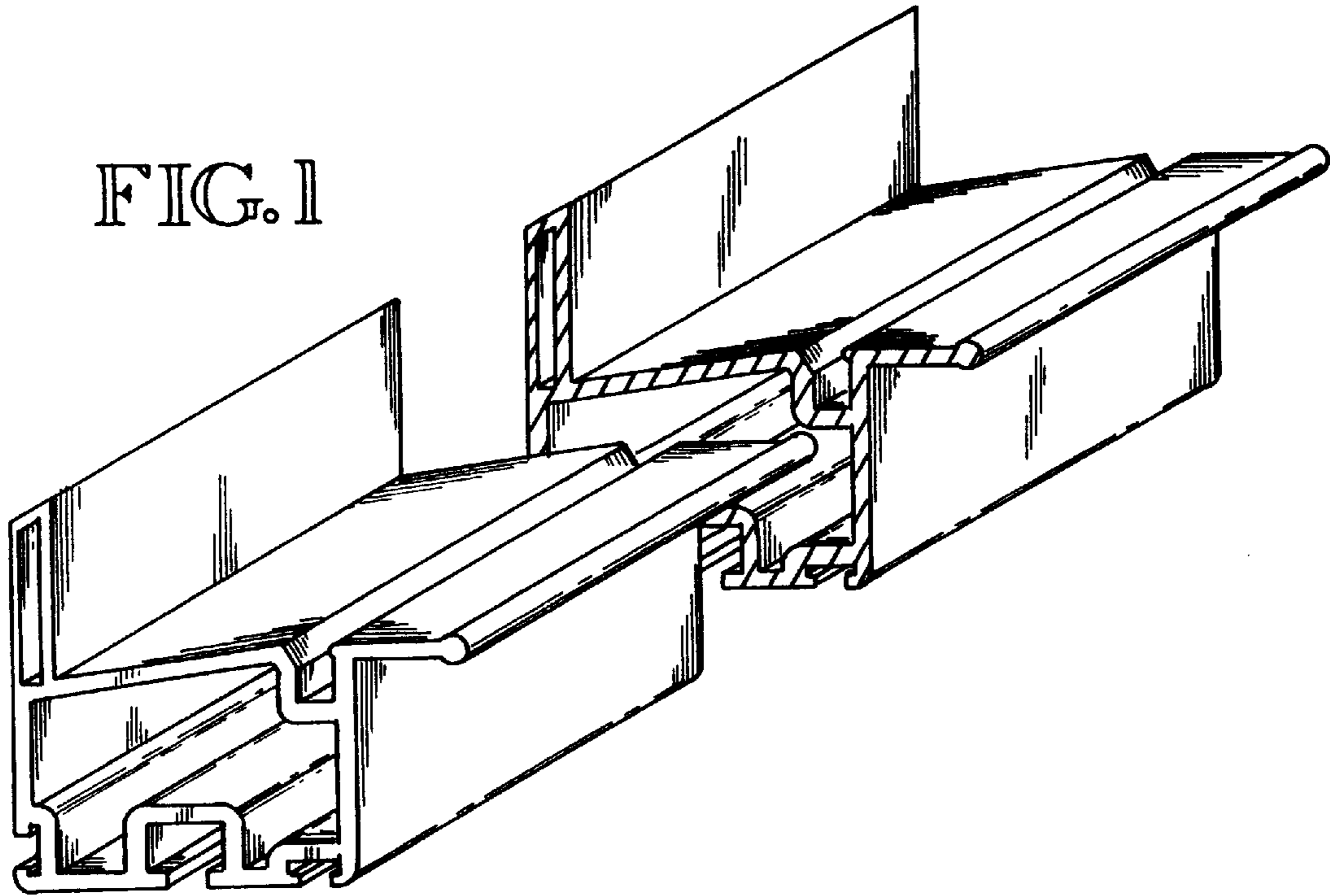


FIG. 2

FIG. 3

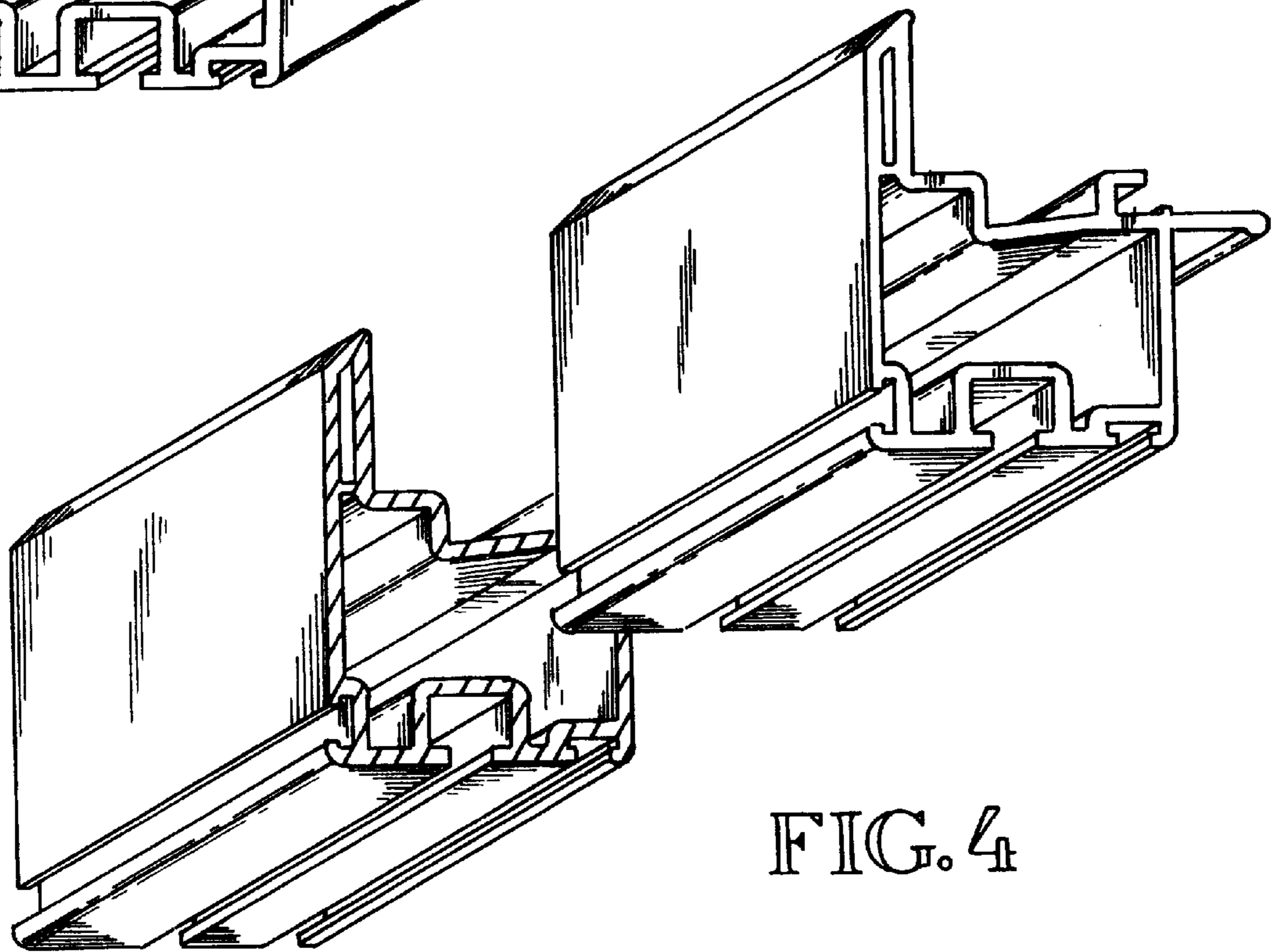
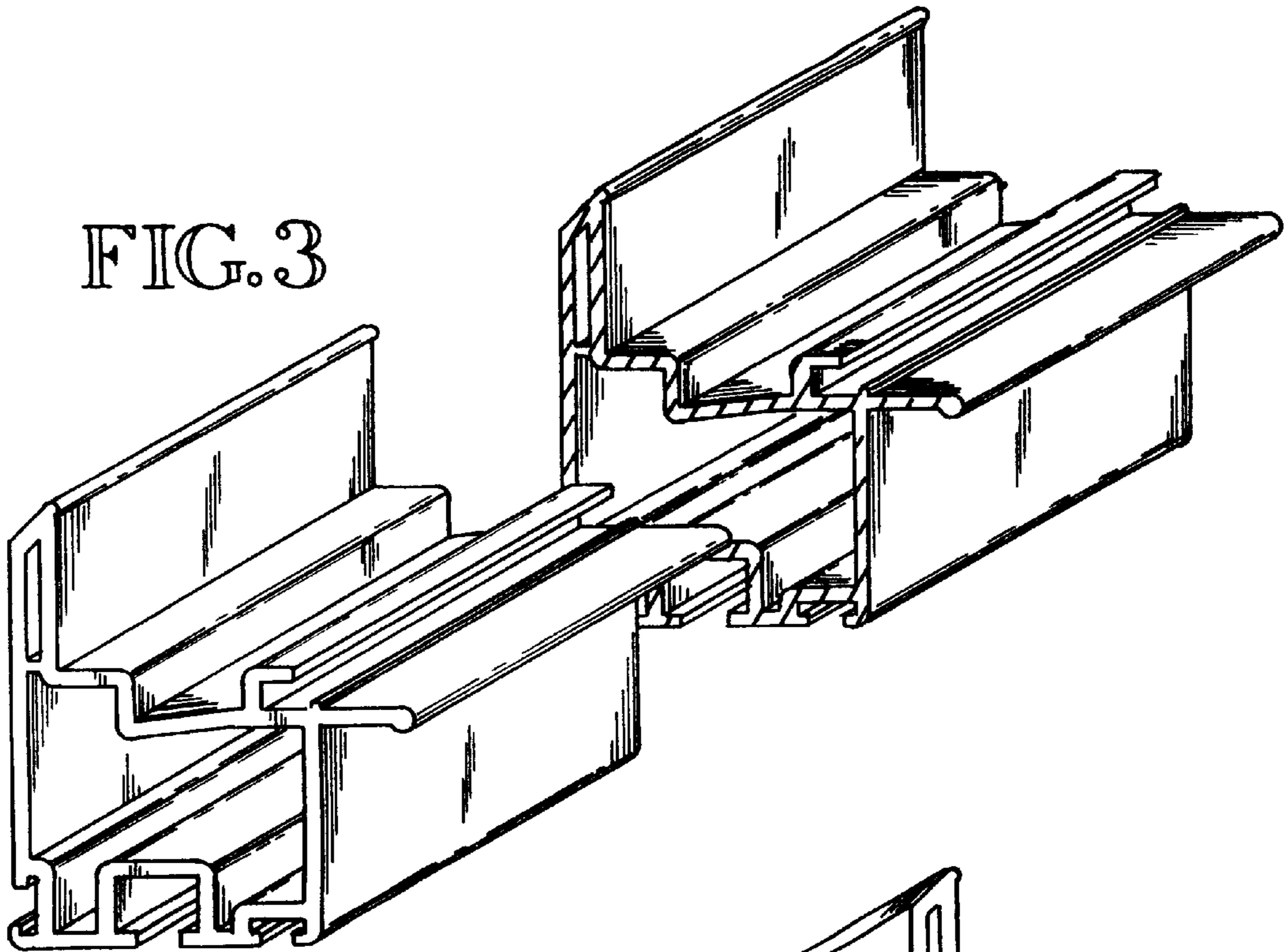


FIG. 4