

US00D430940S

**United States Patent** [19]  
**Goss**

[11] **Patent Number: Des. 430,940**

[45] **Date of Patent: \*\* Sep. 12, 2000**

[54] **WINDOW COMPONENT EXTRUSION**

[75] Inventor: **Lorane Goss**, Slippery Rock, Pa.

[73] Assignee: **Mikron Industries, Inc.**, Kent, Wash.

[\*\*] Term: **14 Years**

[21] Appl. No.: **29/117,453**

[22] Filed: **Jan. 24, 2000**

[51] **LOC (7) Cl.** ..... **25-01**

[52] **U.S. Cl.** ..... **D25/124**

[58] **Field of Search** ..... D25/60, 52, 124,  
D25/125; 49/DIG. 2, 504, 505, 404, 413,  
419, 407, 408; 52/204.56, 204.51, 730.3,  
205.1, 202

[56] **References Cited**

**U.S. PATENT DOCUMENTS**

D. 402,054 12/1998 Leonelli ..... D25/124

*Primary Examiner*—Doris Clark

*Attorney, Agent, or Firm*—Richardson & Folise

[57] **CLAIM**

The ornamental design for a window component extrusion, as shown and described.

**DESCRIPTION**

FIG. 1 is a top right perspective view of the window component extrusion which is broken in the center indicating indefinite length; and,

FIG. 2 is a bottom left perspective view of the window component extrusion shown in FIG. 1.

**1 Claim, 1 Drawing Sheet**

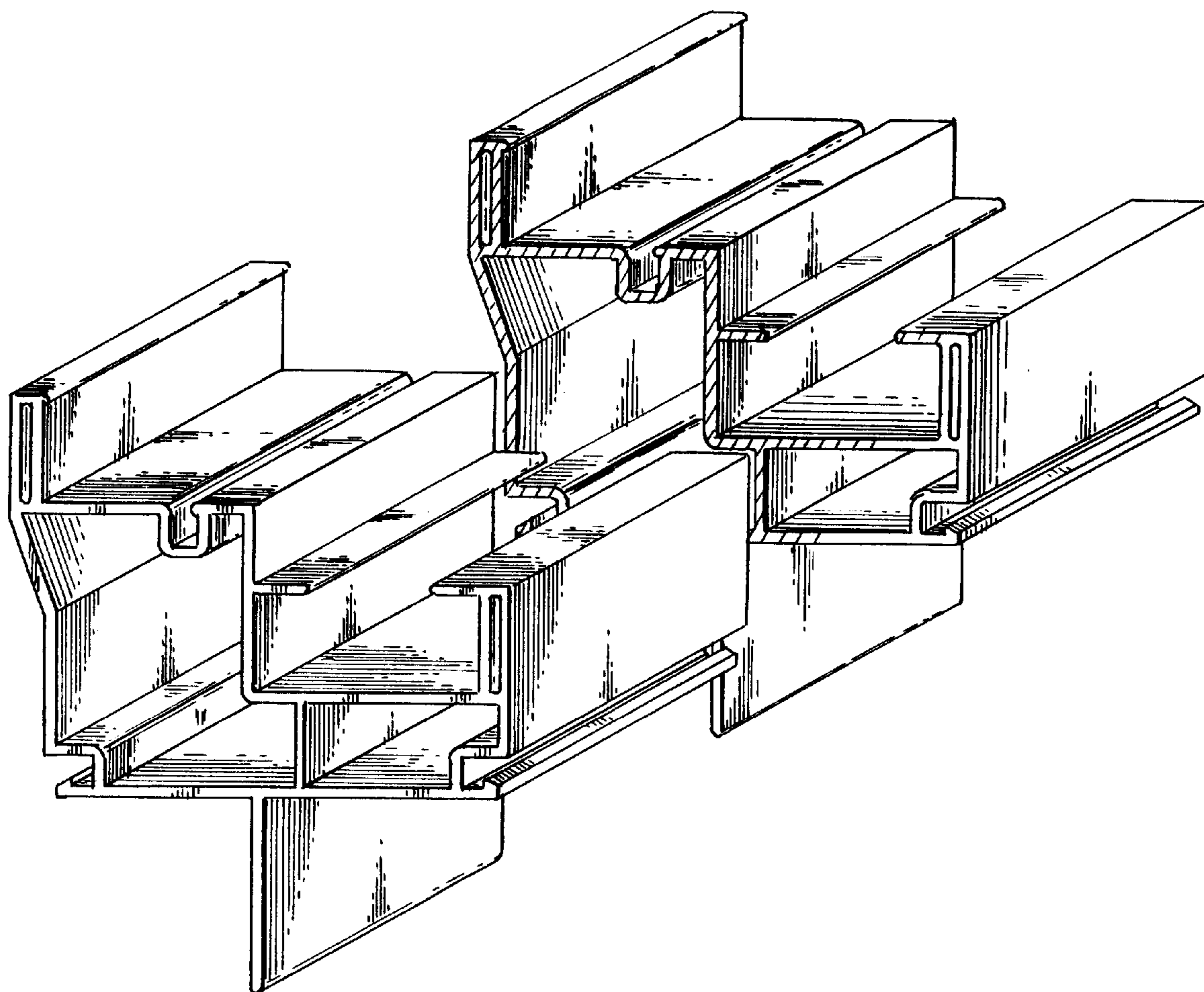


FIG. 1

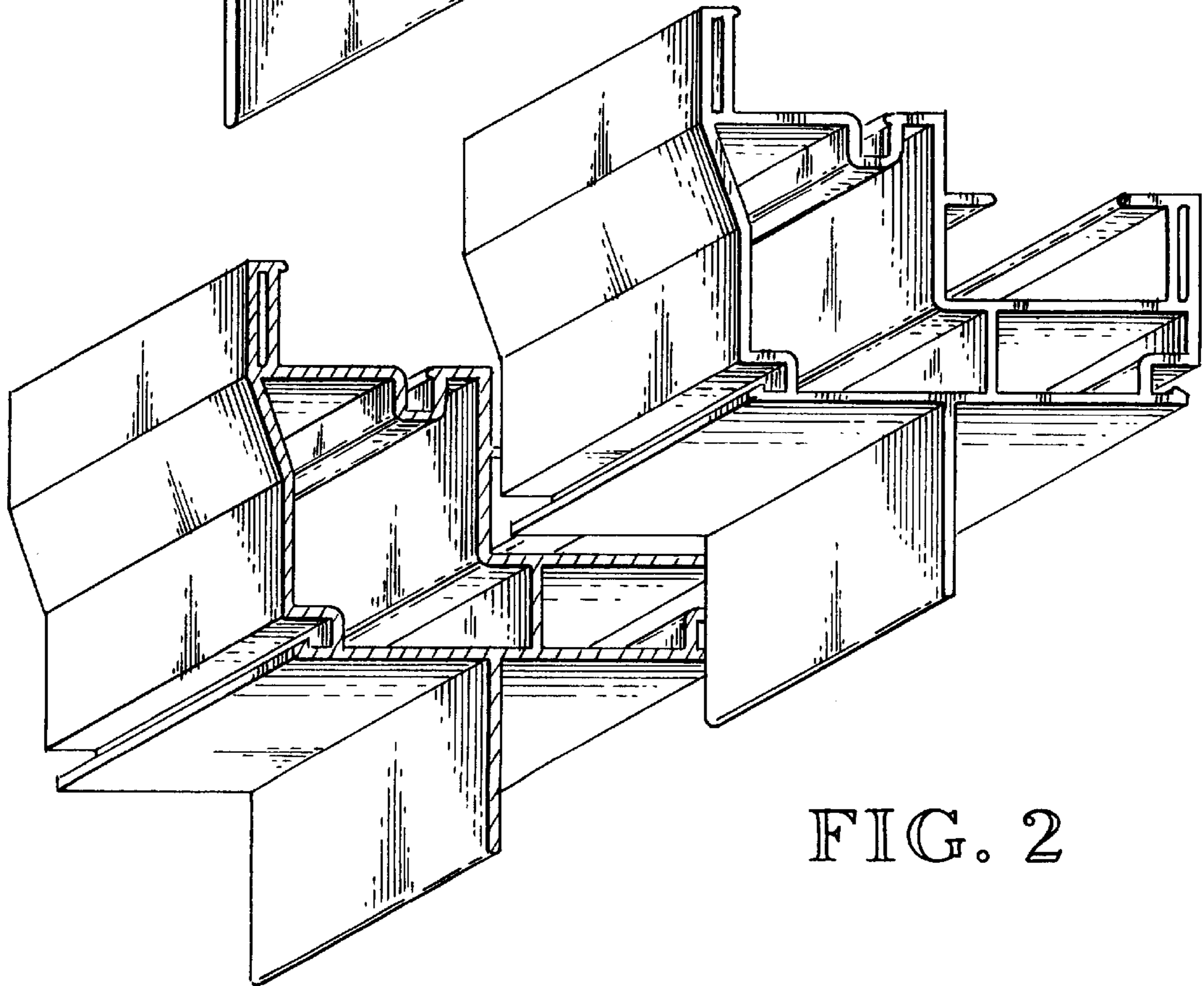
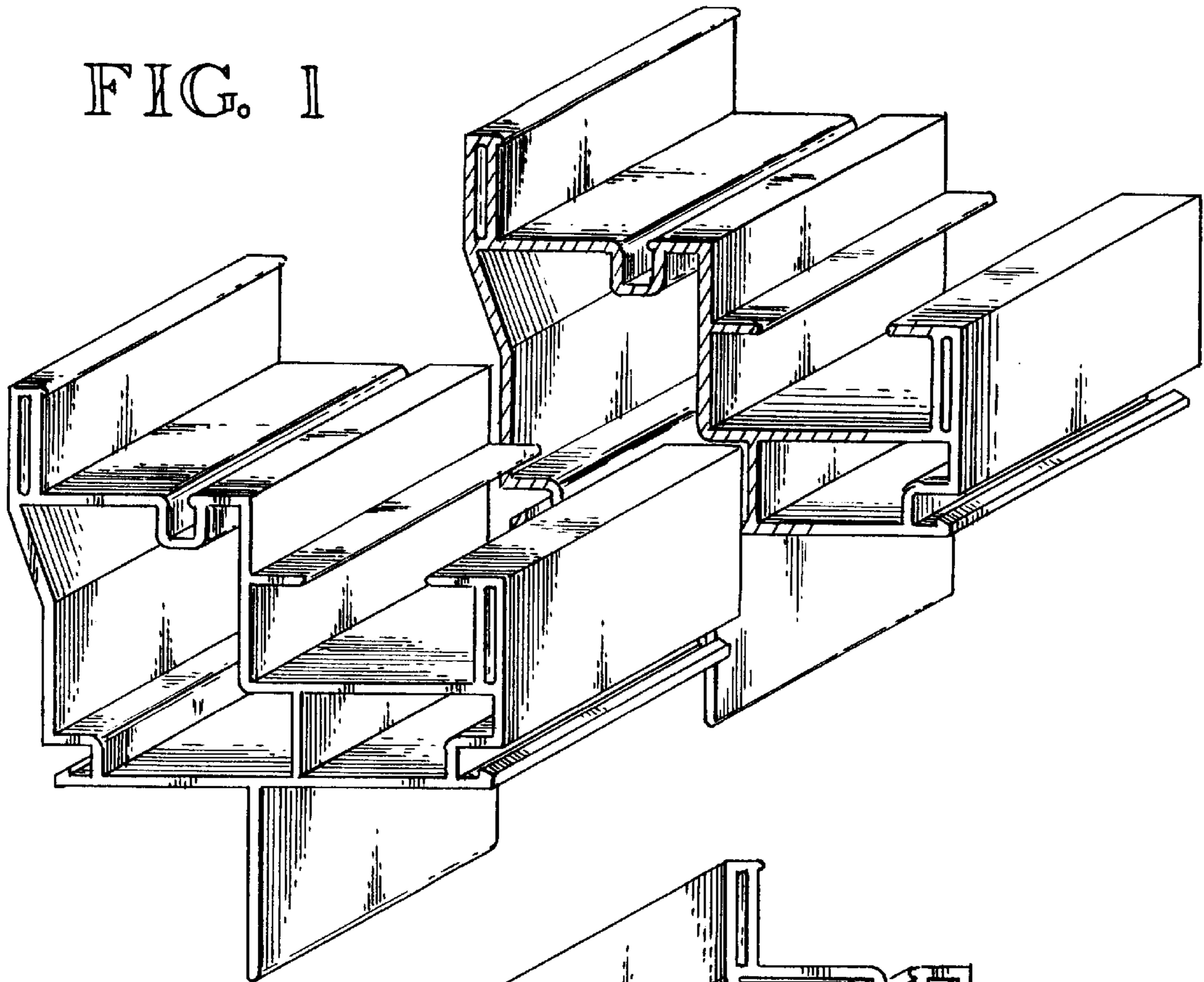


FIG. 2