



US00D430933S

# United States Patent [19] Reil

[11] Patent Number: Des. 430,933

[45] Date of Patent: \*\* Sep. 12, 2000

[54] UNIVERSAL CARTRIDGE FOR PIERCED EARRINGS

[76] Inventor: Vladimir Reil, 32450 Nautilus Dr., Rancho Palos Verdes, Calif. 90274

[\*\*] Term: 14 Years

[21] Appl. No.: 29/085,084

[22] Filed: Mar. 16, 1998

[51] LOC (7) Cl. .... 24-02

[52] U.S. Cl. .... D24/146

[58] Field of Search ..... D24/146; 606/188

[56] **References Cited**

U.S. PATENT DOCUMENTS

D. 282,779	2/1986	Reil	24/23
D. 315,211	3/1991	Reil	24/25
D. 347,895	6/1994	Mann	24/146
D. 358,210	5/1995	Reil	24/146
D. 366,316	1/1996	Reil	24/146
3,941,134	3/1976	McDonald	128/330
4,030,507	6/1977	Mann	128/330
4,146,032	3/1979	Rubenstein et al.	128/330
4,527,563	7/1985	Reil	128/329
4,860,747	8/1989	Sciara	128/330
4,921,494	5/1990	Reil	606/188
4,931,060	6/1990	Aue	606/188

5,004,470	4/1991	Mann	606/188
5,004,471	4/1991	Mann	606/188
5,007,918	4/1991	Mann	606/188
5,211,653	5/1993	Nakajima	606/188
5,263,960	11/1993	Mann	606/188
5,350,394	9/1994	Mann	606/188
5,360,434	11/1994	Mann	606/188
5,389,105	2/1995	Mann	606/188
5,496,343	3/1996	Reil	606/188
5,499,993	3/1996	Blomdahl et al.	606/188

Primary Examiner—Louis S. Zarfes  
Assistant Examiner—I Simmons  
Attorney, Agent, or Firm—Cislo & Thomas LLP

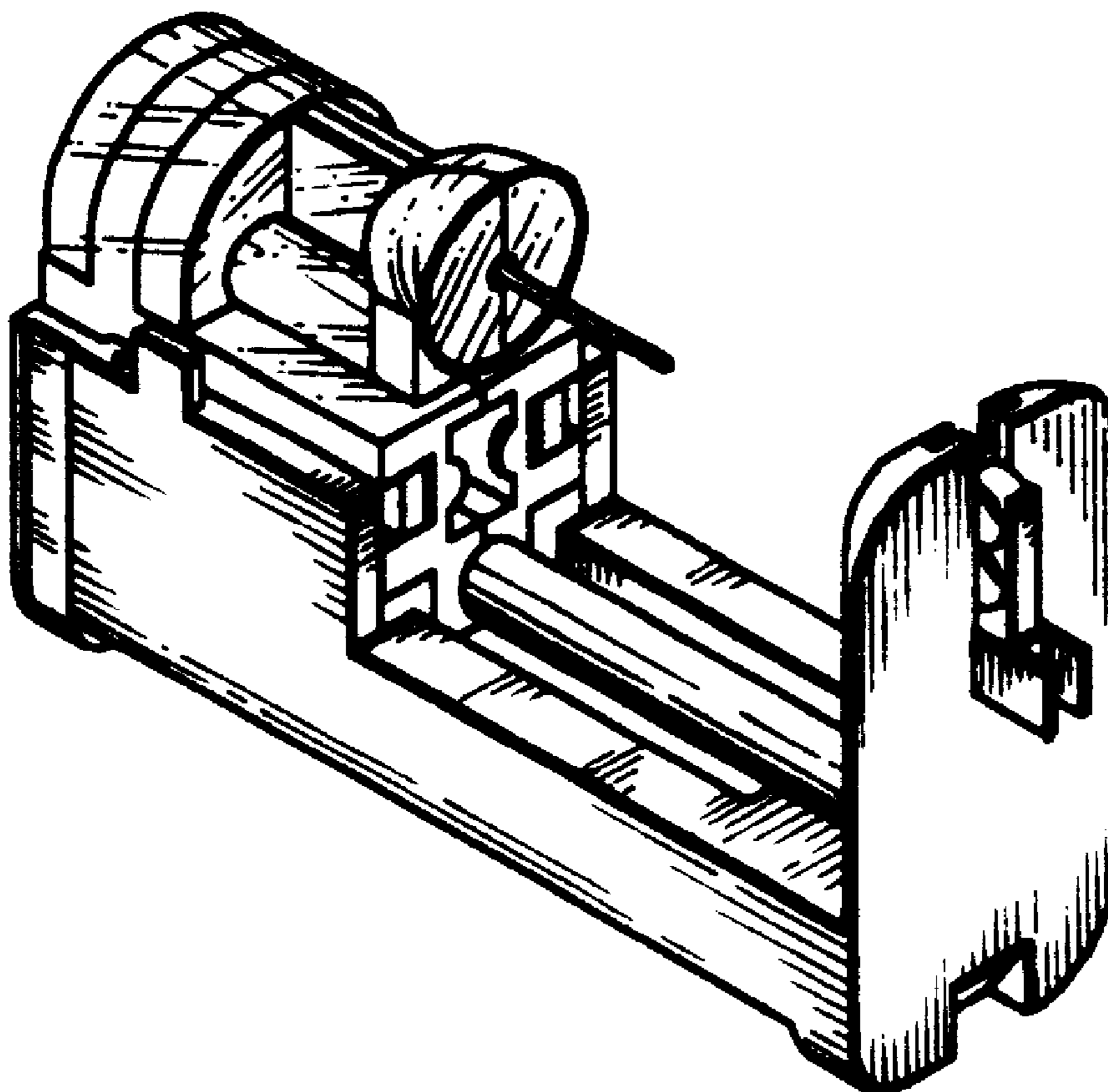
[57] **CLAIM**

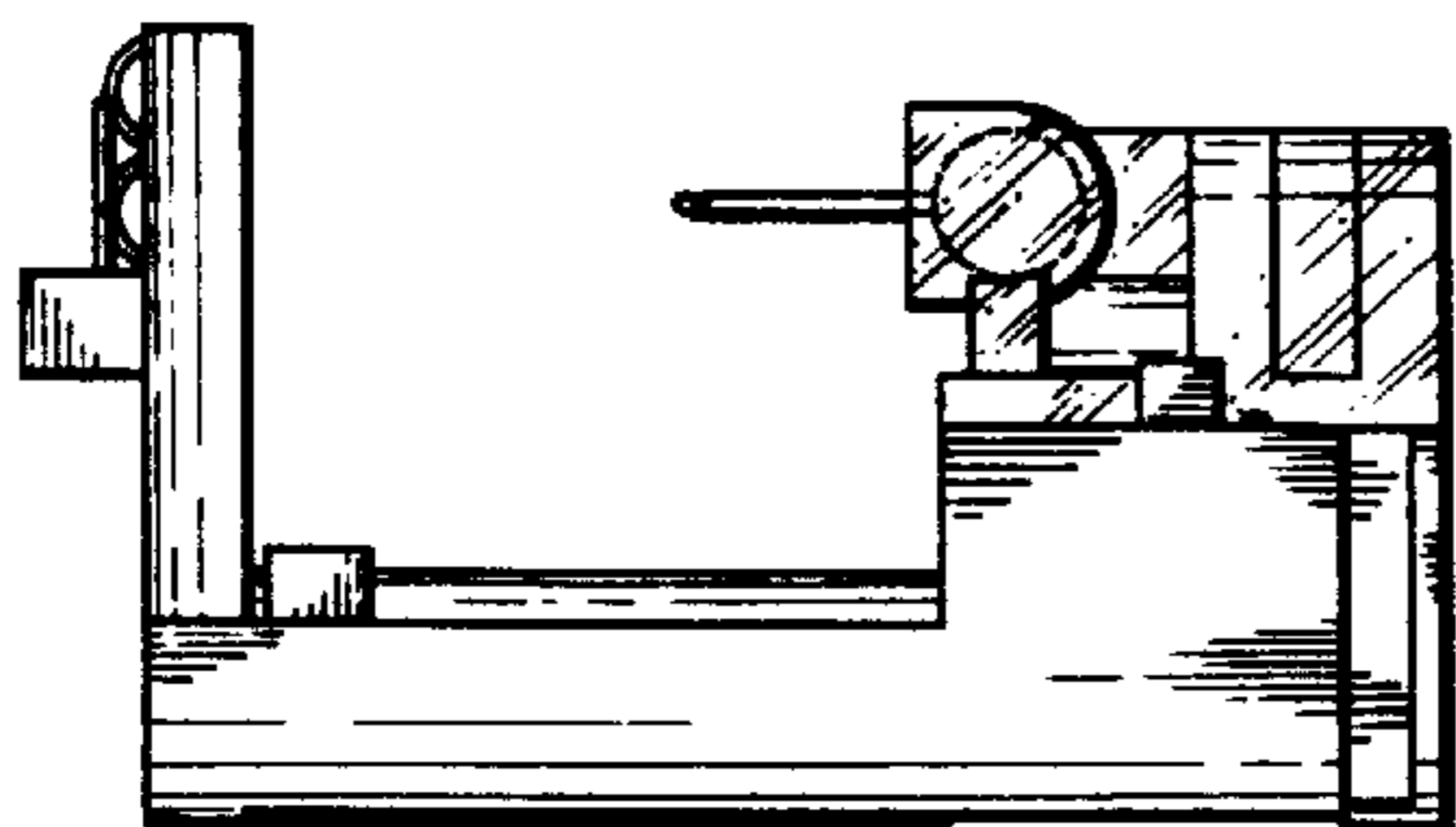
The ornamental design for a universal cartridge for pierced earrings, as shown and described.

**DESCRIPTION**

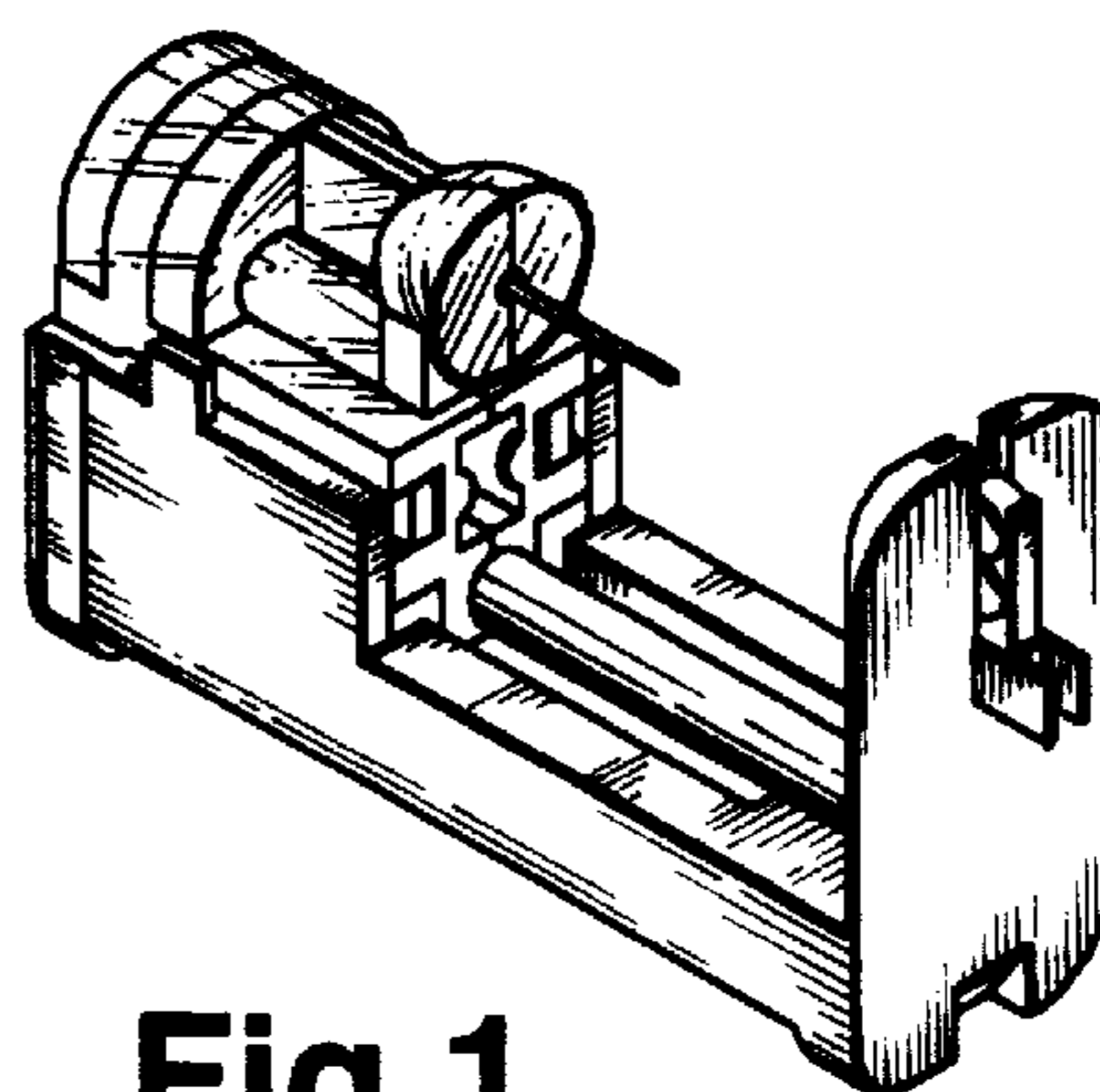
FIG. 1 is a perspective view of a universal cartridge for pierced earrings showing my new design; FIG. 2 is a left side elevational view thereof; FIG. 3 is a right side elevational view thereof; FIG. 4 is a top view thereof; FIG. 5 is a bottom view thereof; FIG. 6 is a rear view thereof; and, FIG. 7 is a front view thereof;

1 Claim, 1 Drawing Sheet

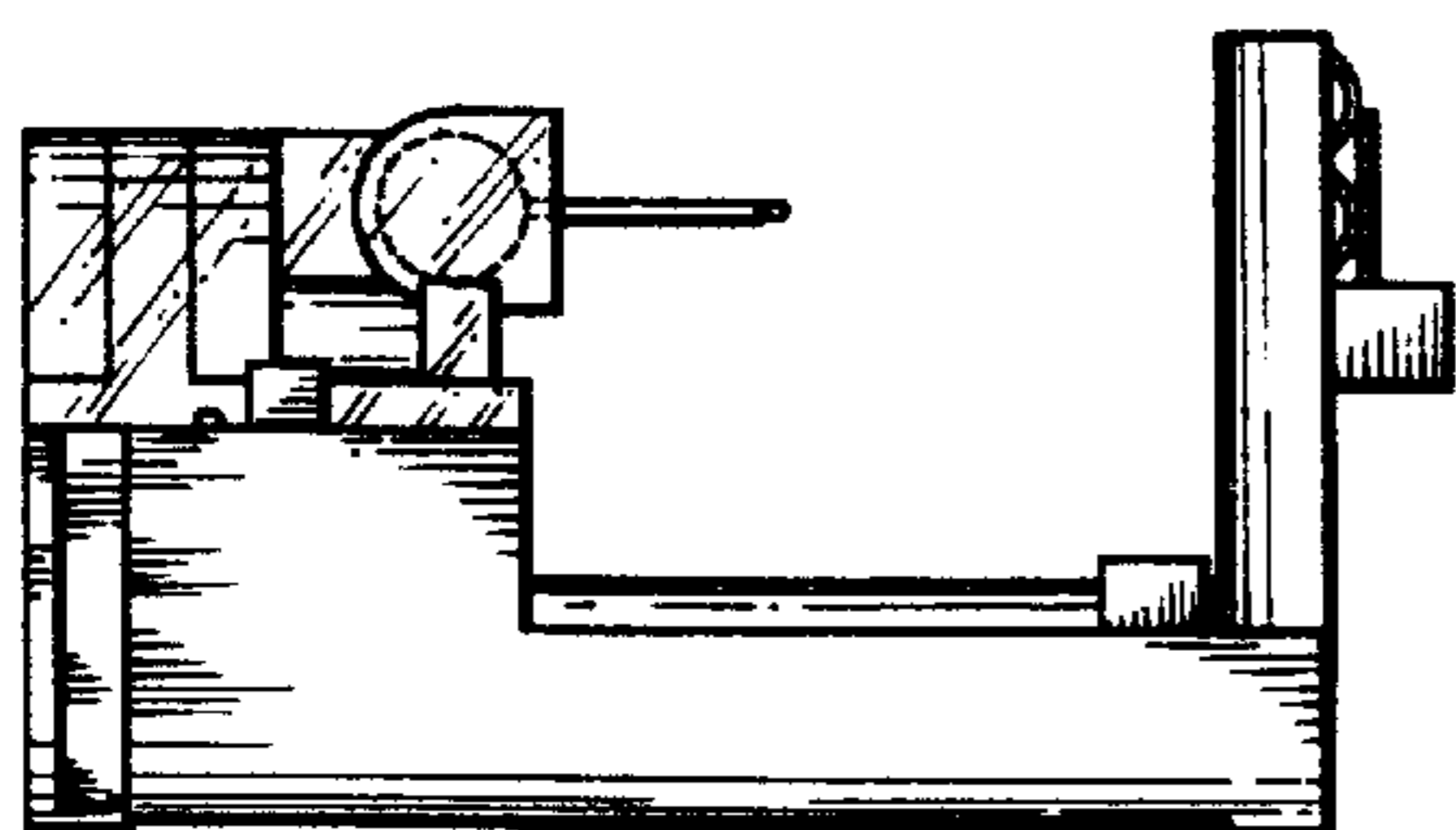




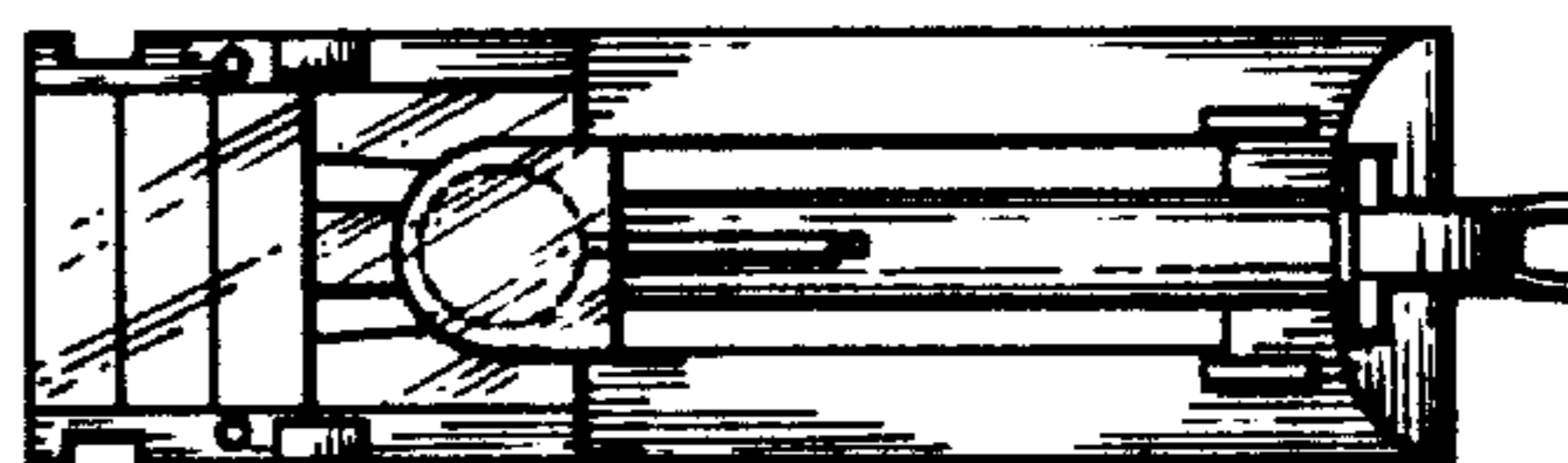
**Fig.2**



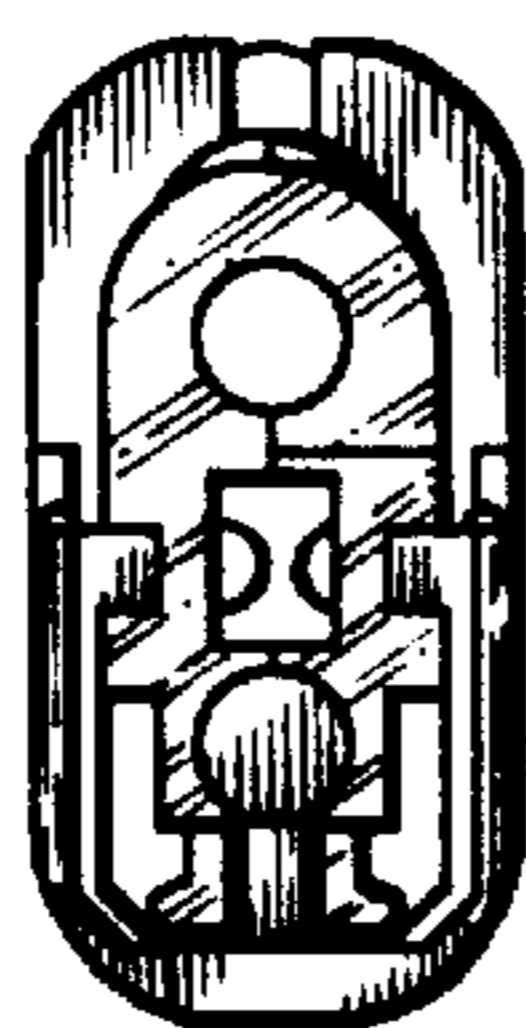
**Fig.1**



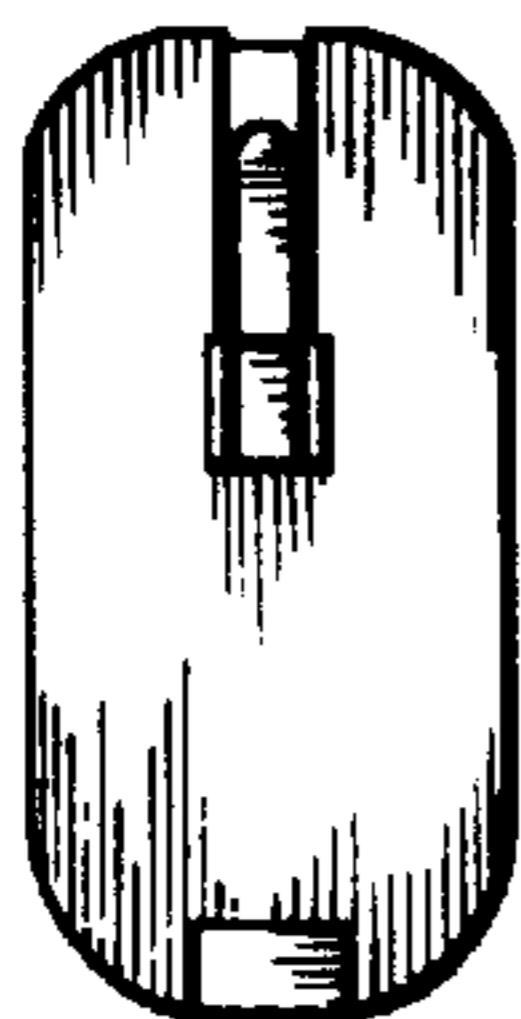
**Fig.3**



**Fig.4**



**Fig.6**



**Fig.7**



**Fig.5**