



US00D430930S

United States Patent [19]

[11] **Patent Number: Des. 430,930**

Zuege

[45] **Date of Patent: ** Sep. 12, 2000**

[54] **COMBINED CEILING FAN MOTOR HOUSING, BLADE IRONS AND LIGHT FIXTURE UNIT**

[75] Inventor: **Bradford C. Zuege**, Memphis, Tenn.

[73] Assignee: **Hunter Fan Company**, Memphis, Tenn.

[**] Term: **14 Years**

[21] Appl. No.: **29/090,522**

[22] Filed: **Jul. 10, 1998**

[51] **LOC (7) Cl.** **23-04**

[52] **U.S. Cl.** **D23/411; D23/377**

[58] **Field of Search** **D26/59; D23/377, D23/385, 379, 411, 413; 416/5**

[56] **References Cited**

U.S. PATENT DOCUMENTS

- D. 298,454 11/1988 Clyde-Mason D23/377
- D. 409,297 5/1999 Tai D23/377

Primary Examiner—Lisa Lichtenstein
Attorney, Agent, or Firm—Garrison, Morris & Haight, PLLC

[57] **CLAIM**

The ornamental design for a combined ceiling fan motor housing, blade irons and light fixture unit, as shown and described.

DESCRIPTION

FIG. 1 is a perspective view of a combined ceiling fan motor

housing, blade irons and light fixture unit showing my new design;

FIG. 2 is a perspective view of the combined ceiling fan motor housing, blade irons and light fixture unit shown in FIG. 1 with the environmental structure removed therefrom;

FIG. 3 is a front view thereof;

FIG. 4 is a right-side view thereof;

FIG. 5 is a rear view thereof;

FIG. 6 is a left-side view thereof;

FIG. 7 is a top view thereof;

FIG. 8 is a bottom view thereof;

FIG. 9 is a perspective view of an alternate embodiment of the combined ceiling fan motor housing, blade irons and light fixture unit shown in FIGS. 1–8;

FIG. 10 is a front view thereof;

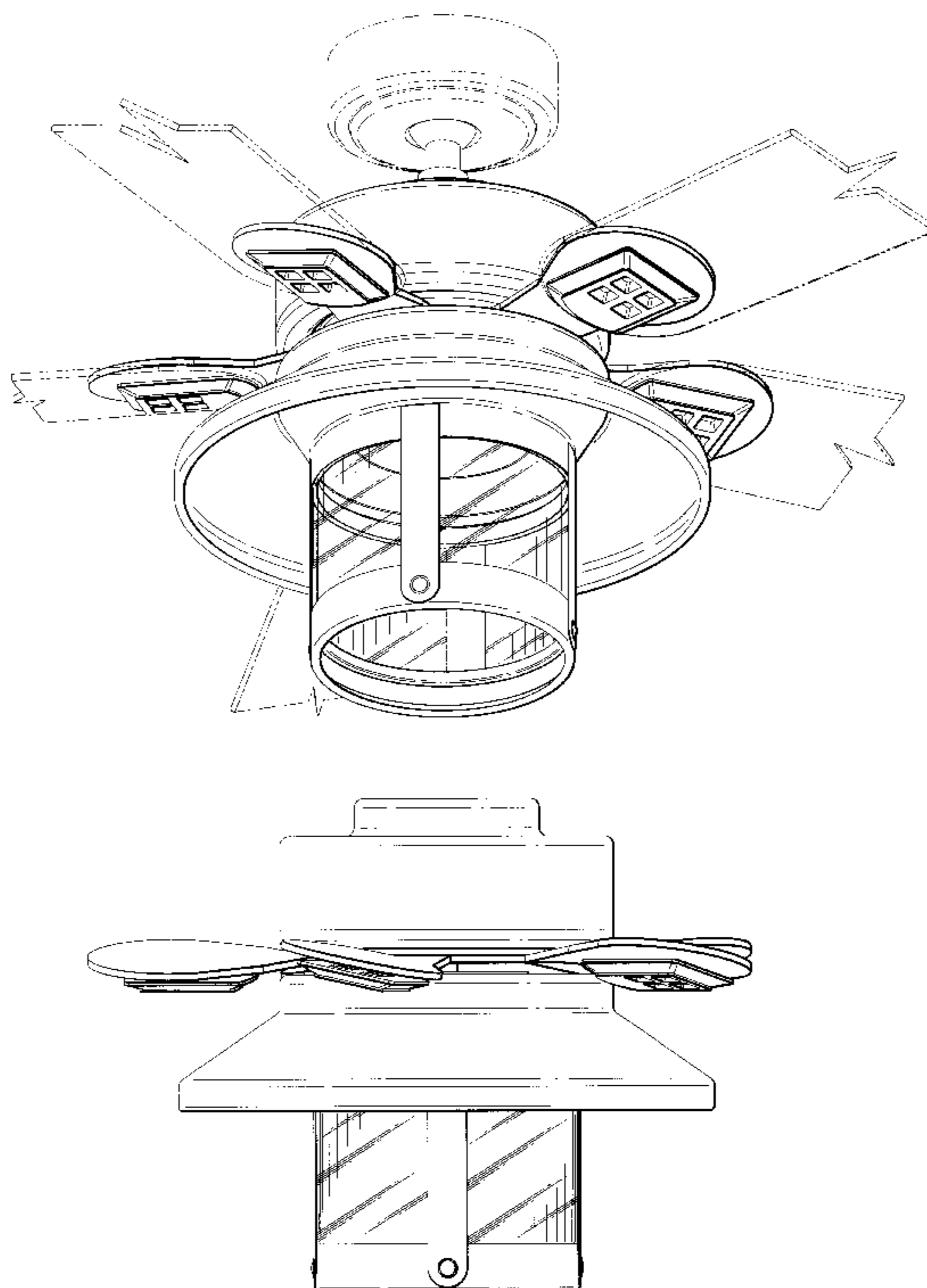
FIG. 11 is a right-side view thereof;

FIG. 12 is a rear view thereof; and,

FIG. 13 is a left-side view thereof, the top view being identical to the top view disclosed in FIG. 7. and the bottom view being identical to the bottom view disclosed in FIG. 8.

The broken line showing of environmental structure in FIG. 1 is for illustrative purposes only and forms no part of the claimed design.

1 Claim, 13 Drawing Sheets



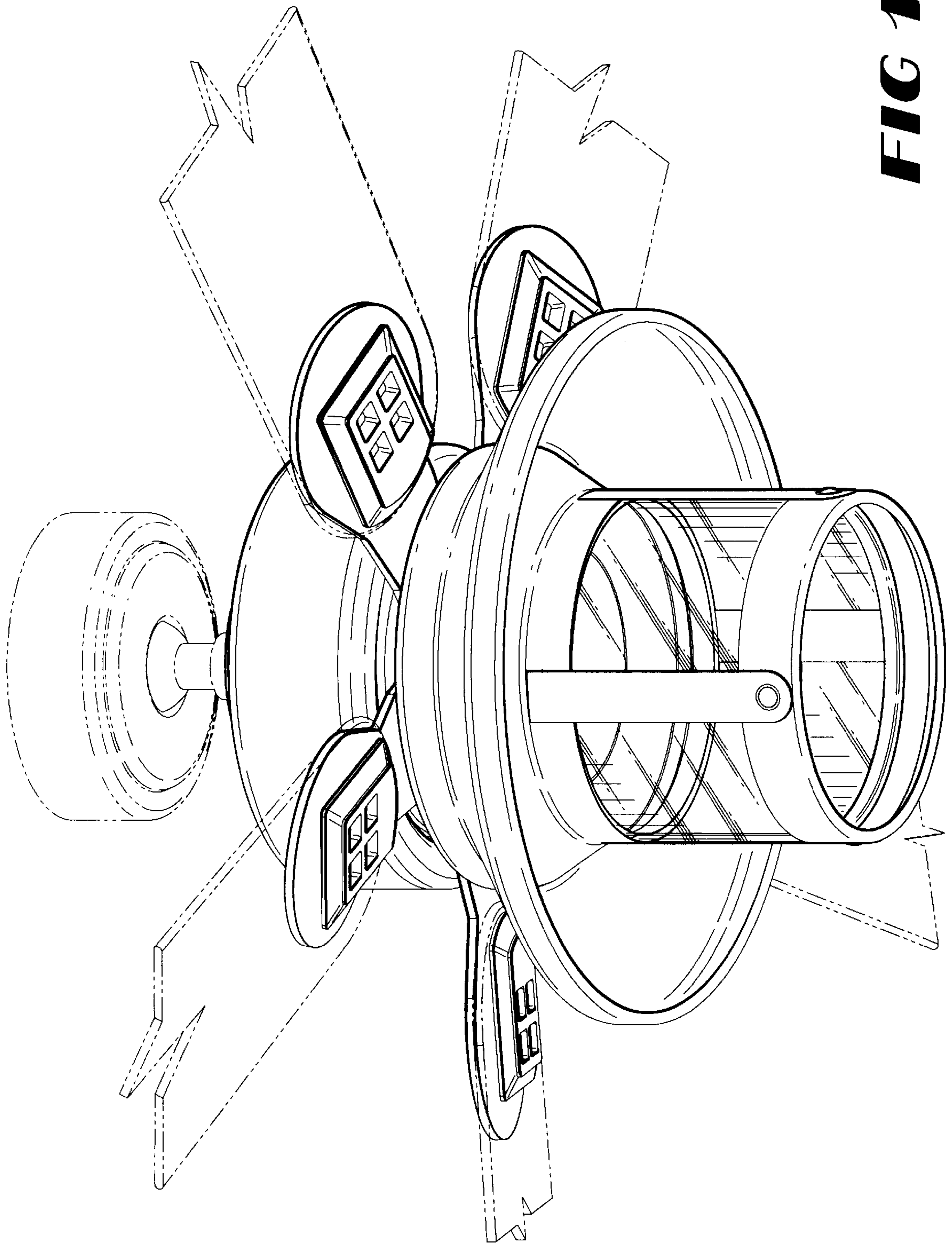


FIG 1

FIG 2

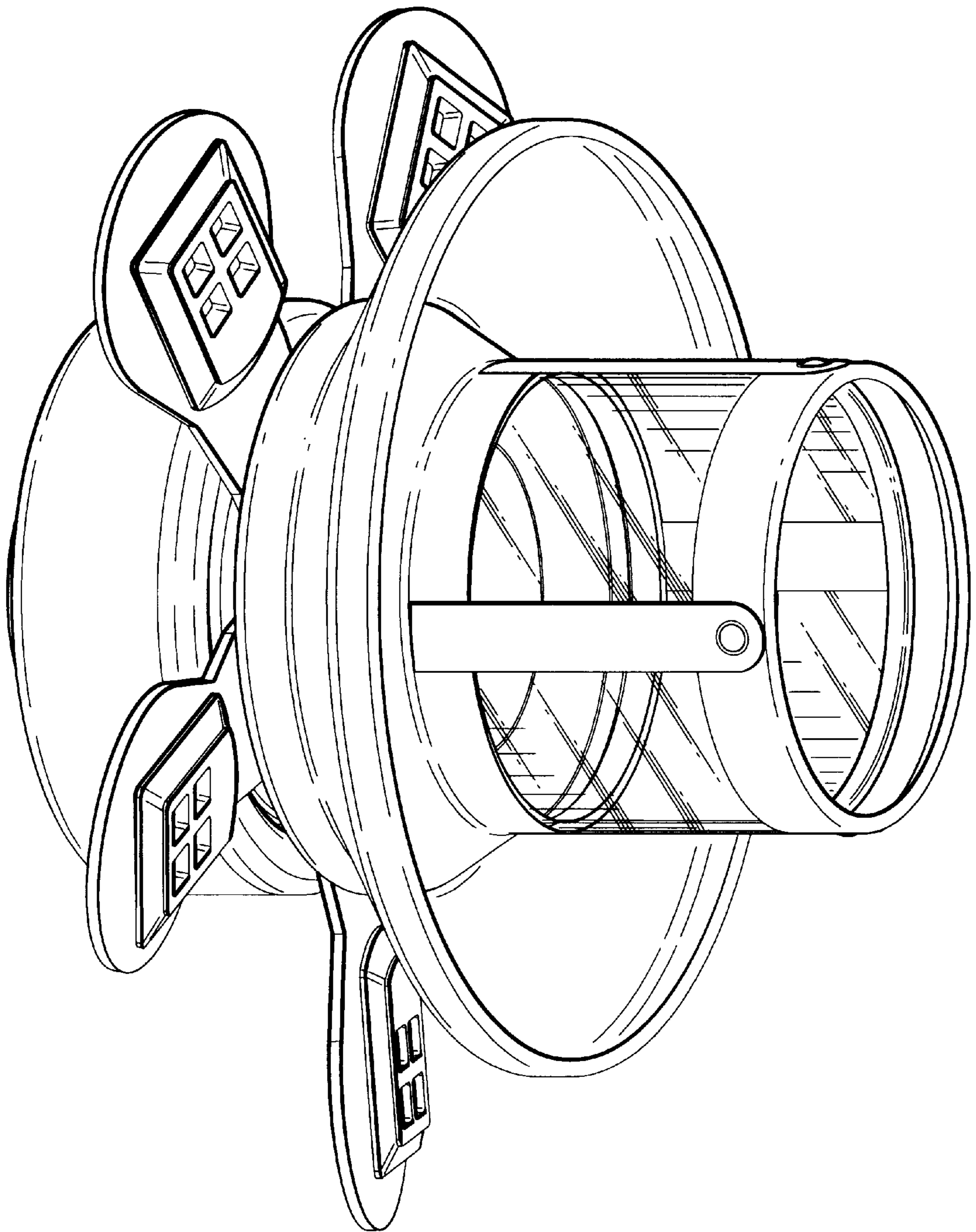
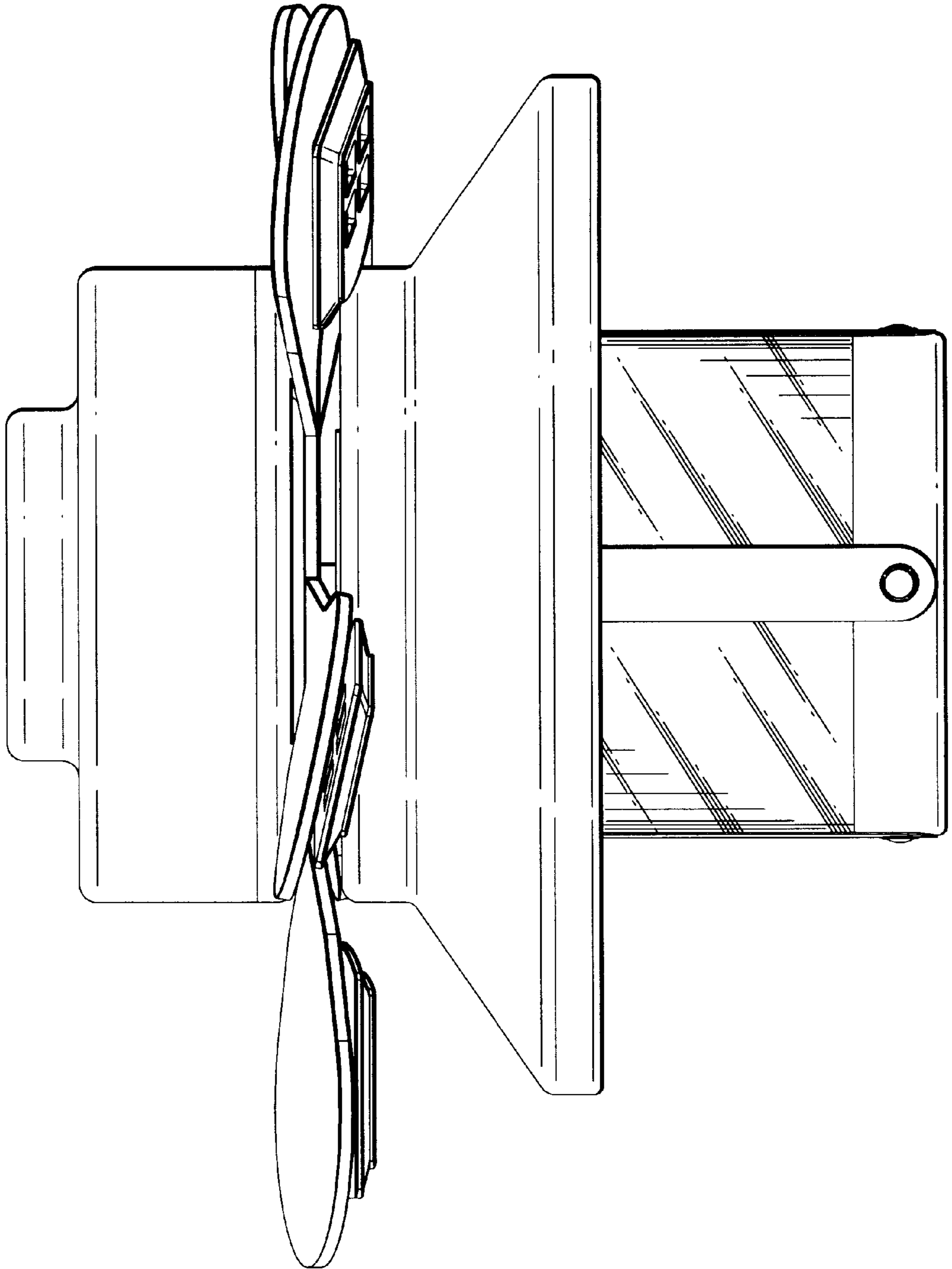


FIG 3



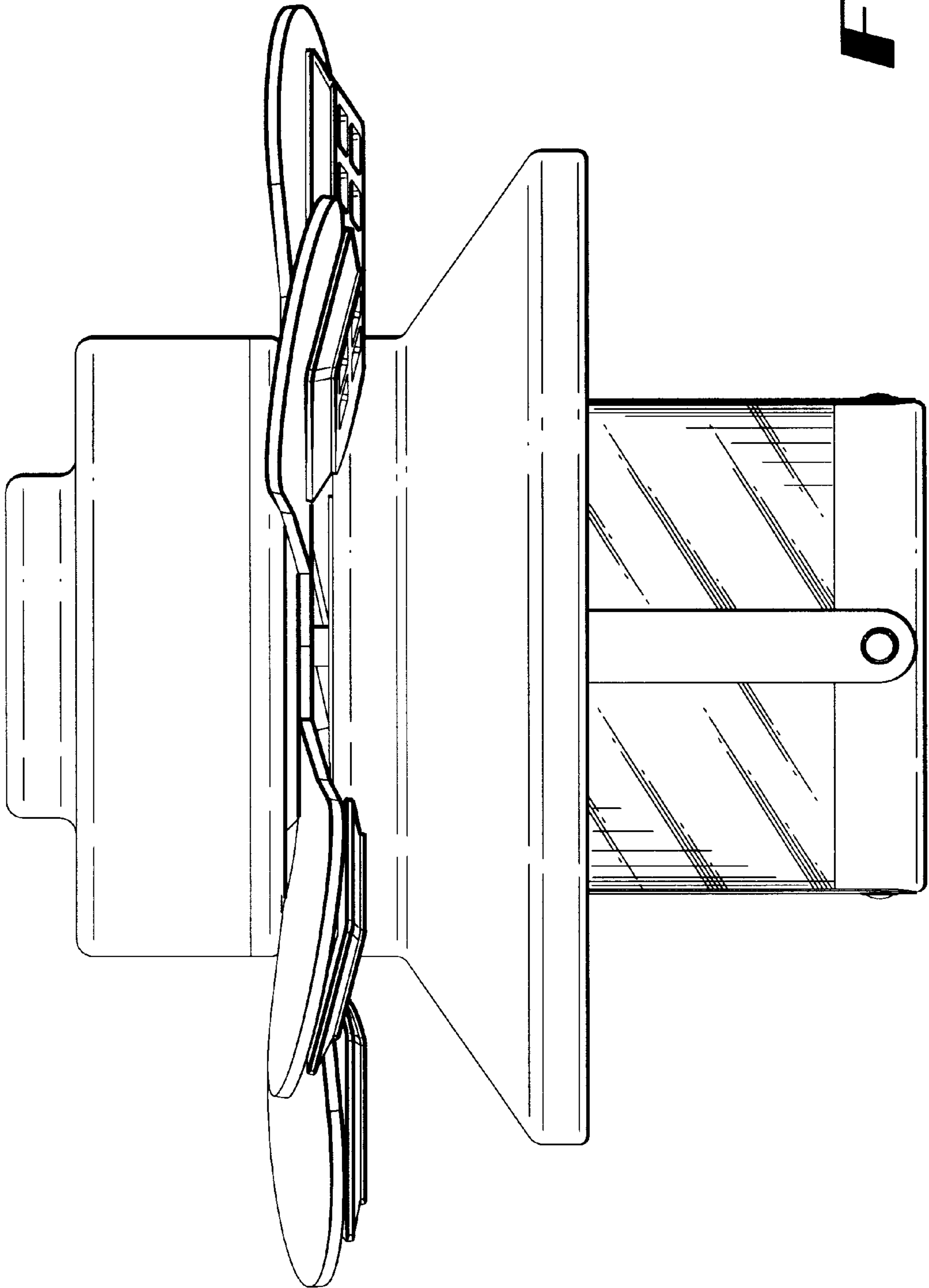


FIG 4

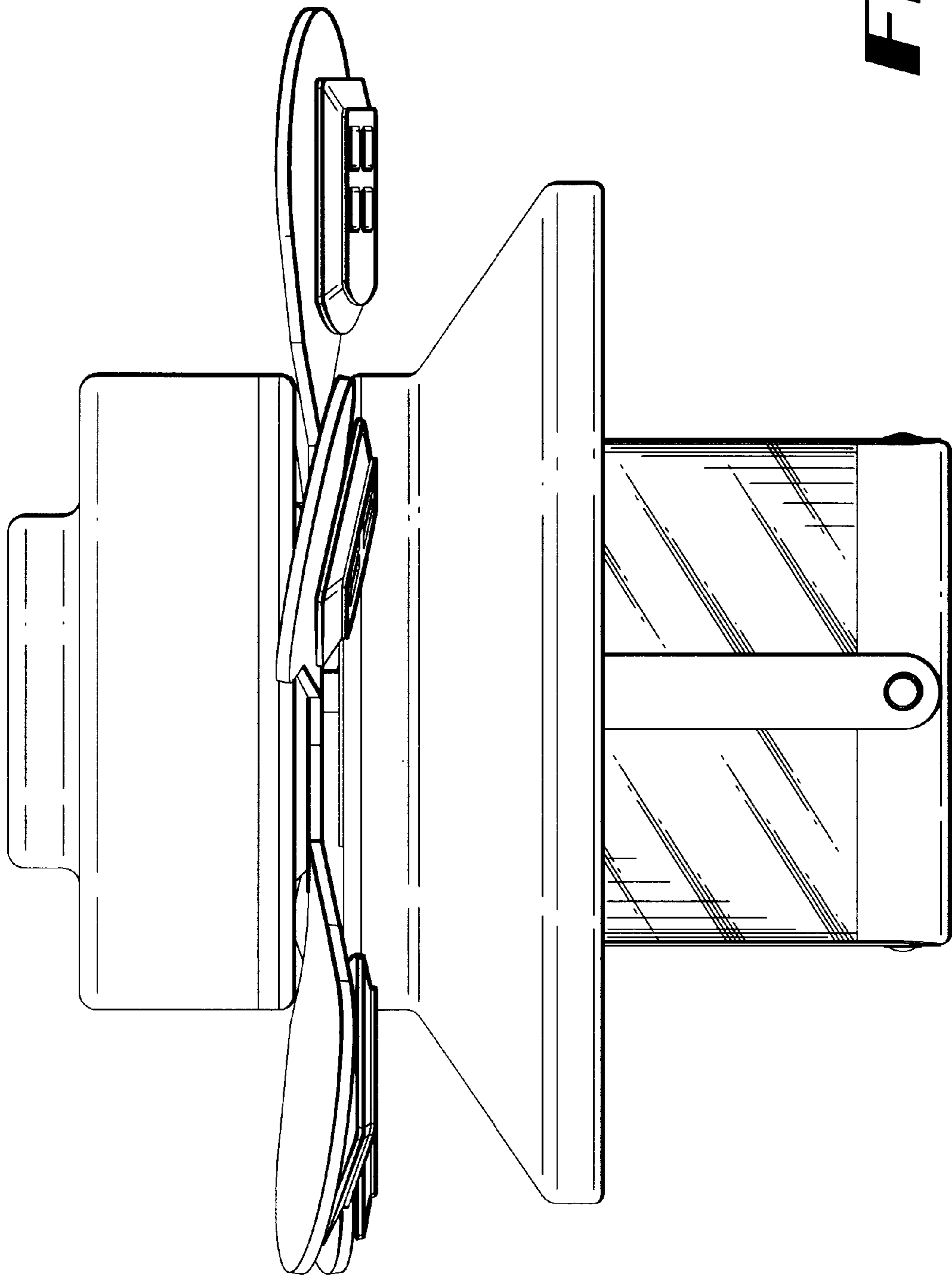


FIG 5

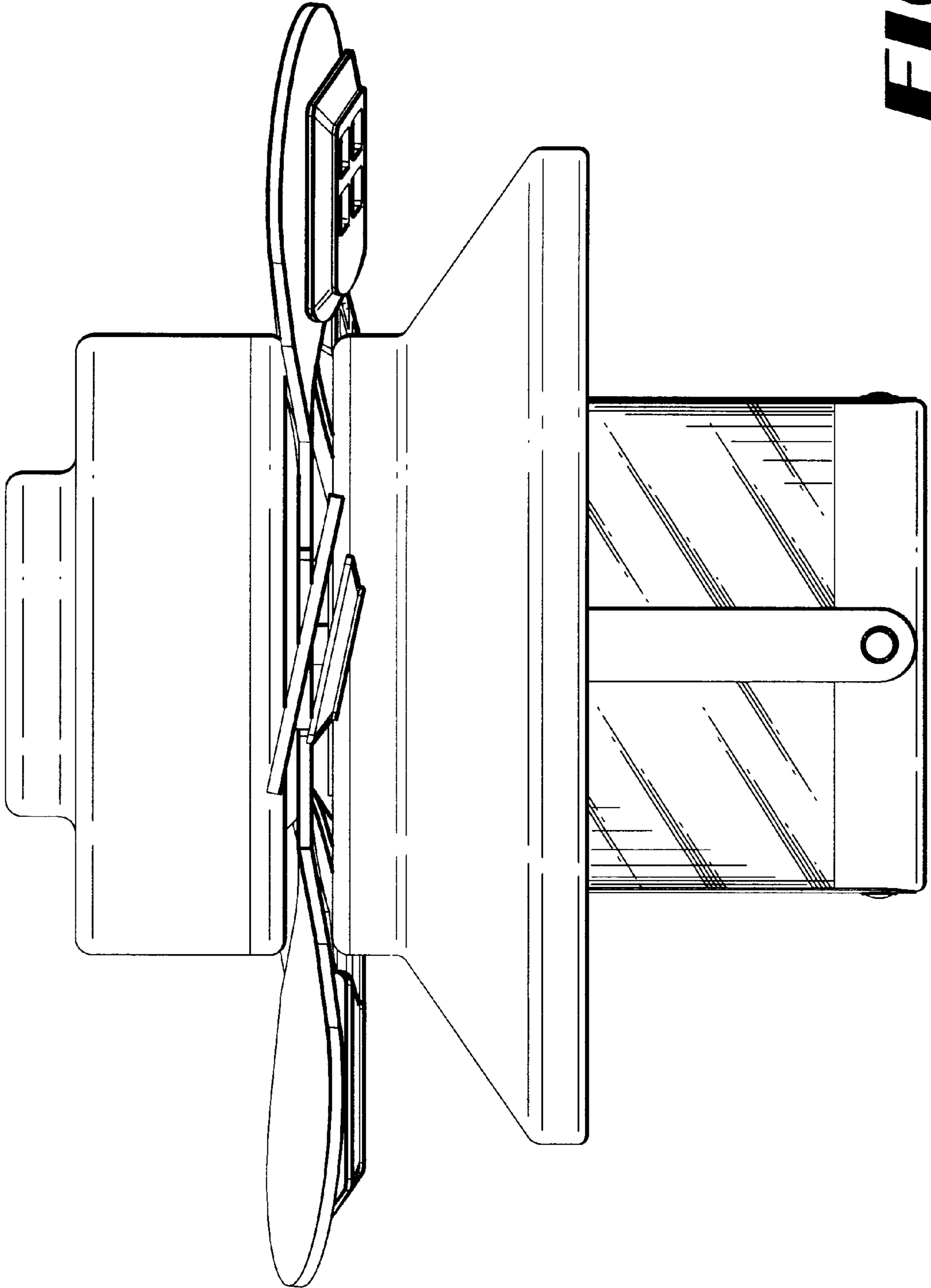


FIG 6

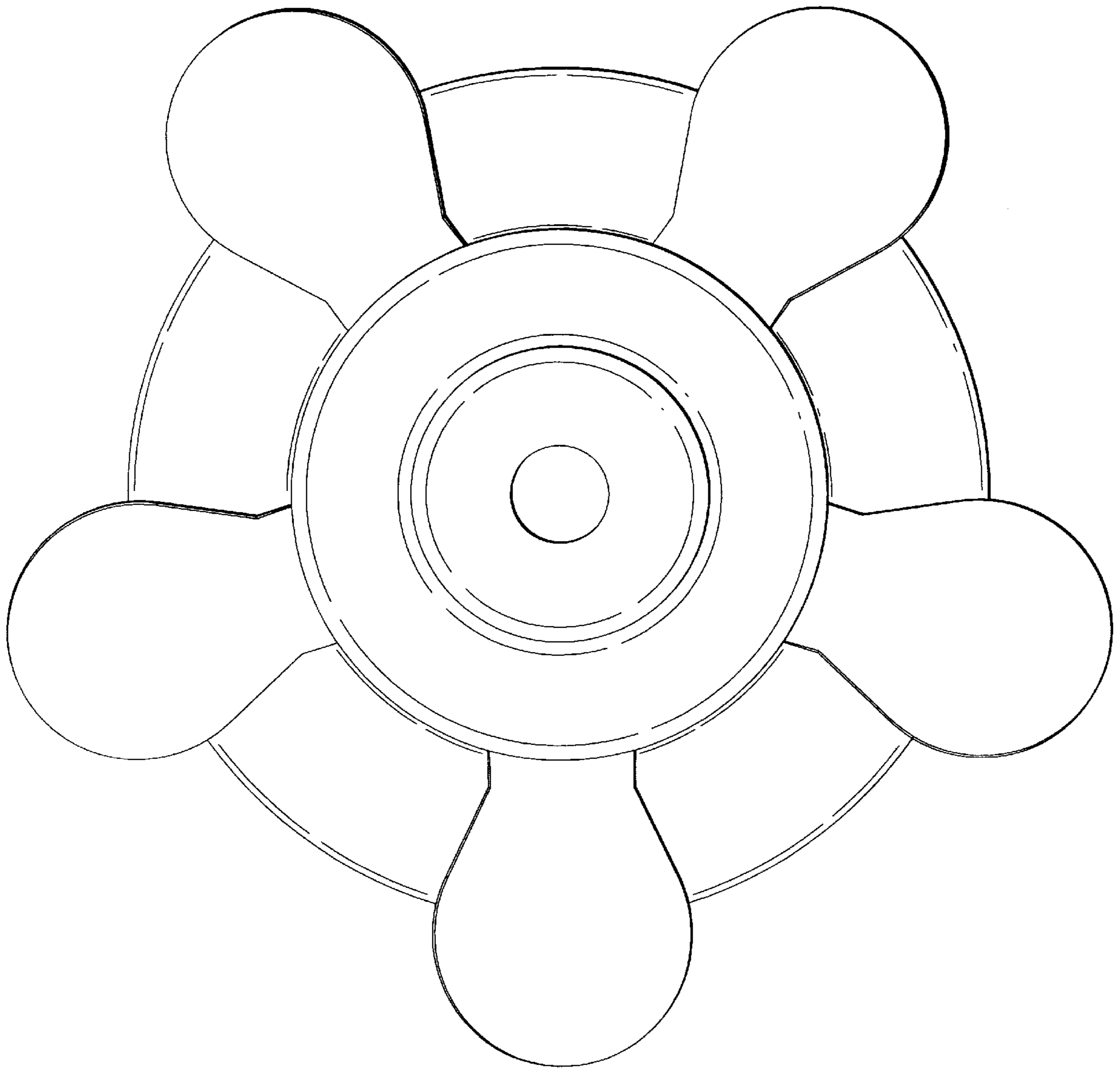


FIG 7

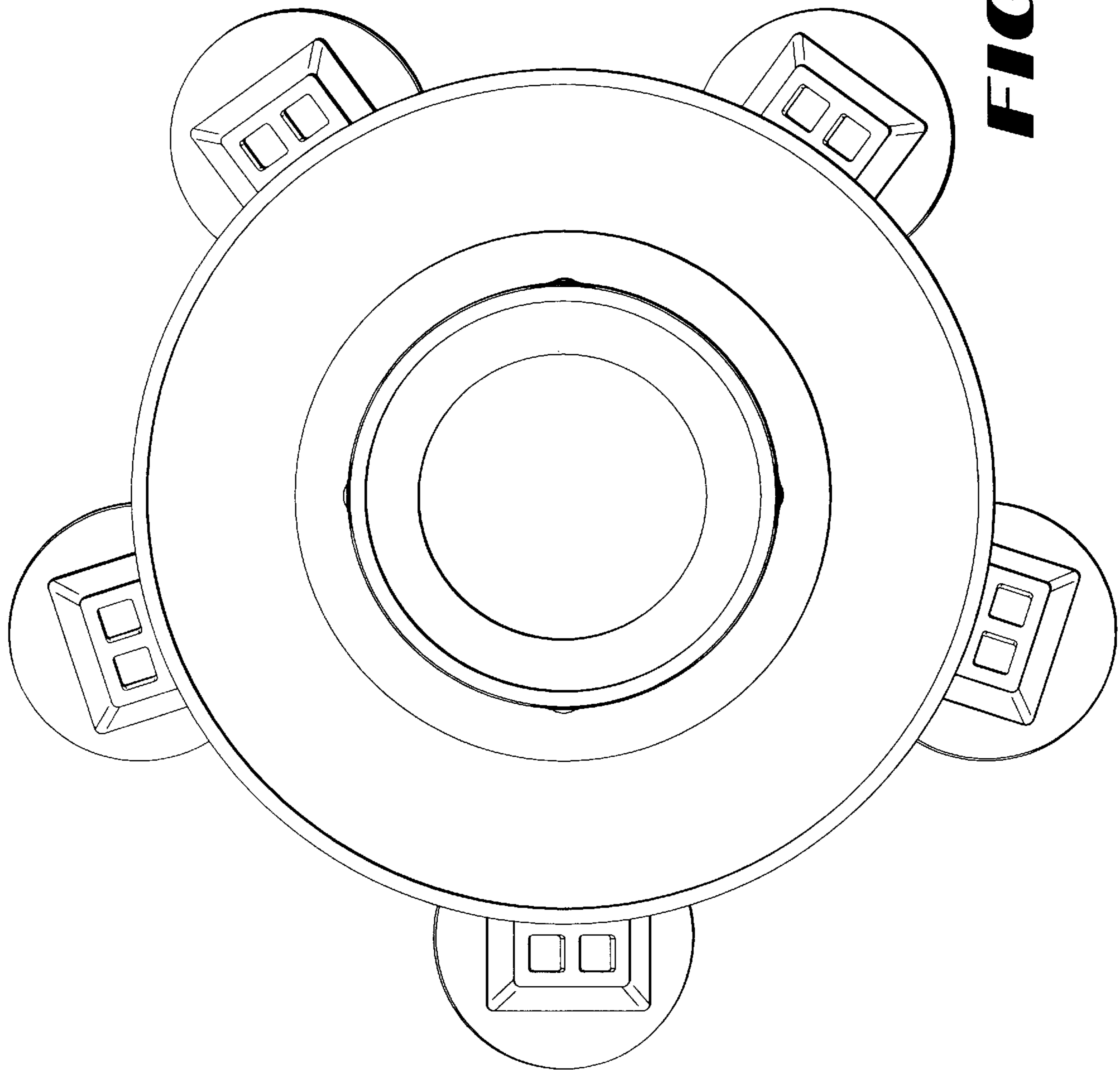


FIG 8

FIG 9

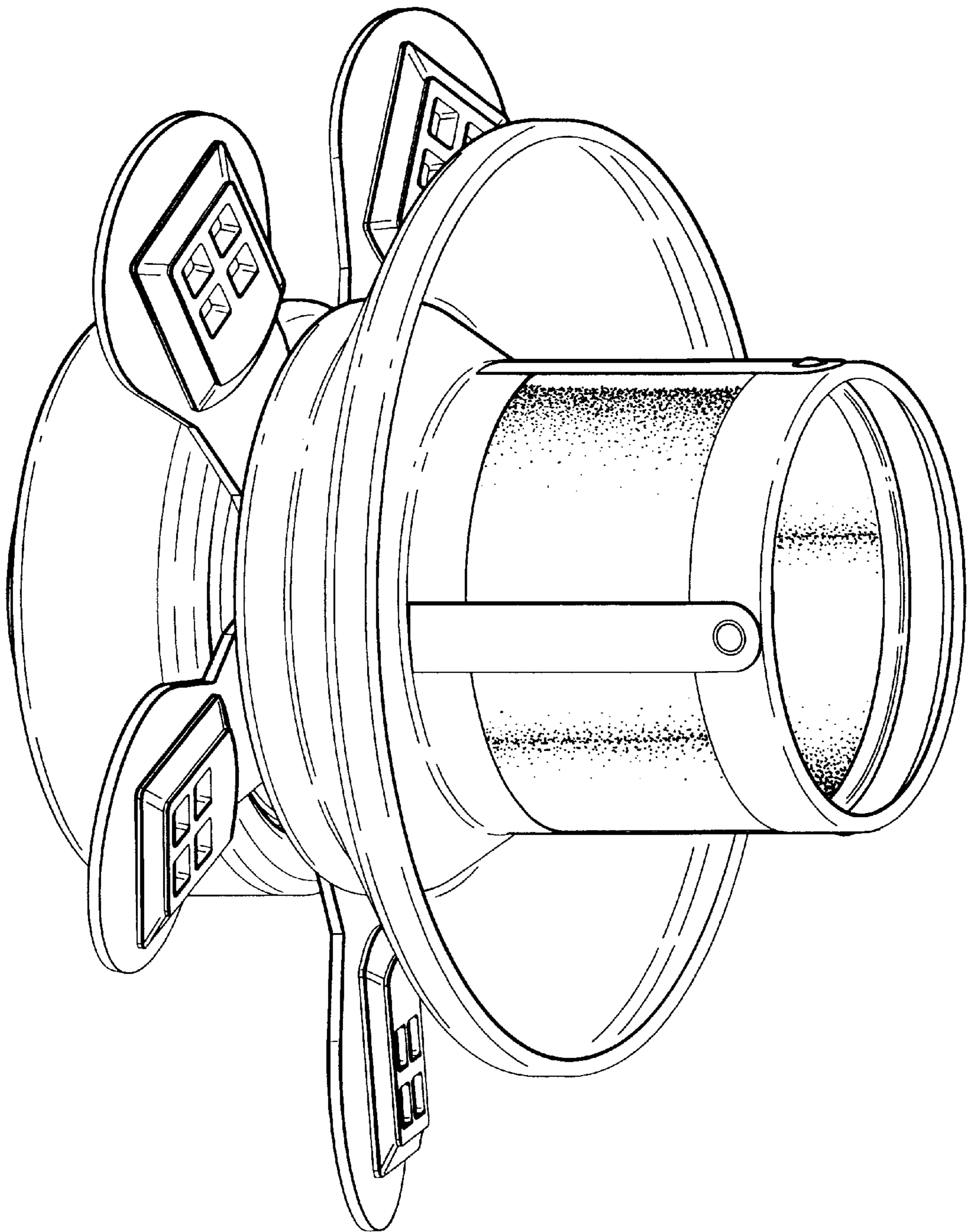
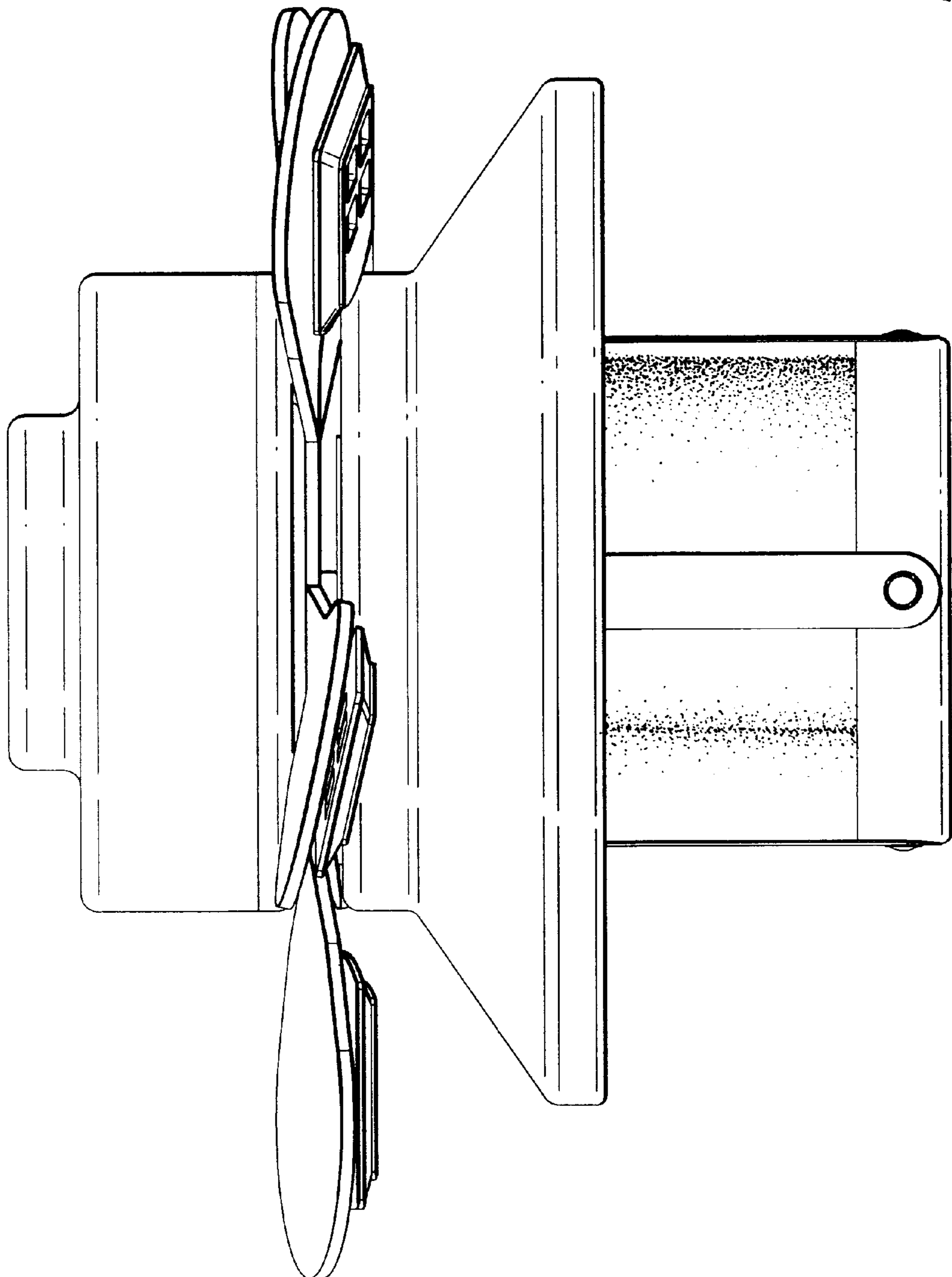


FIG 10



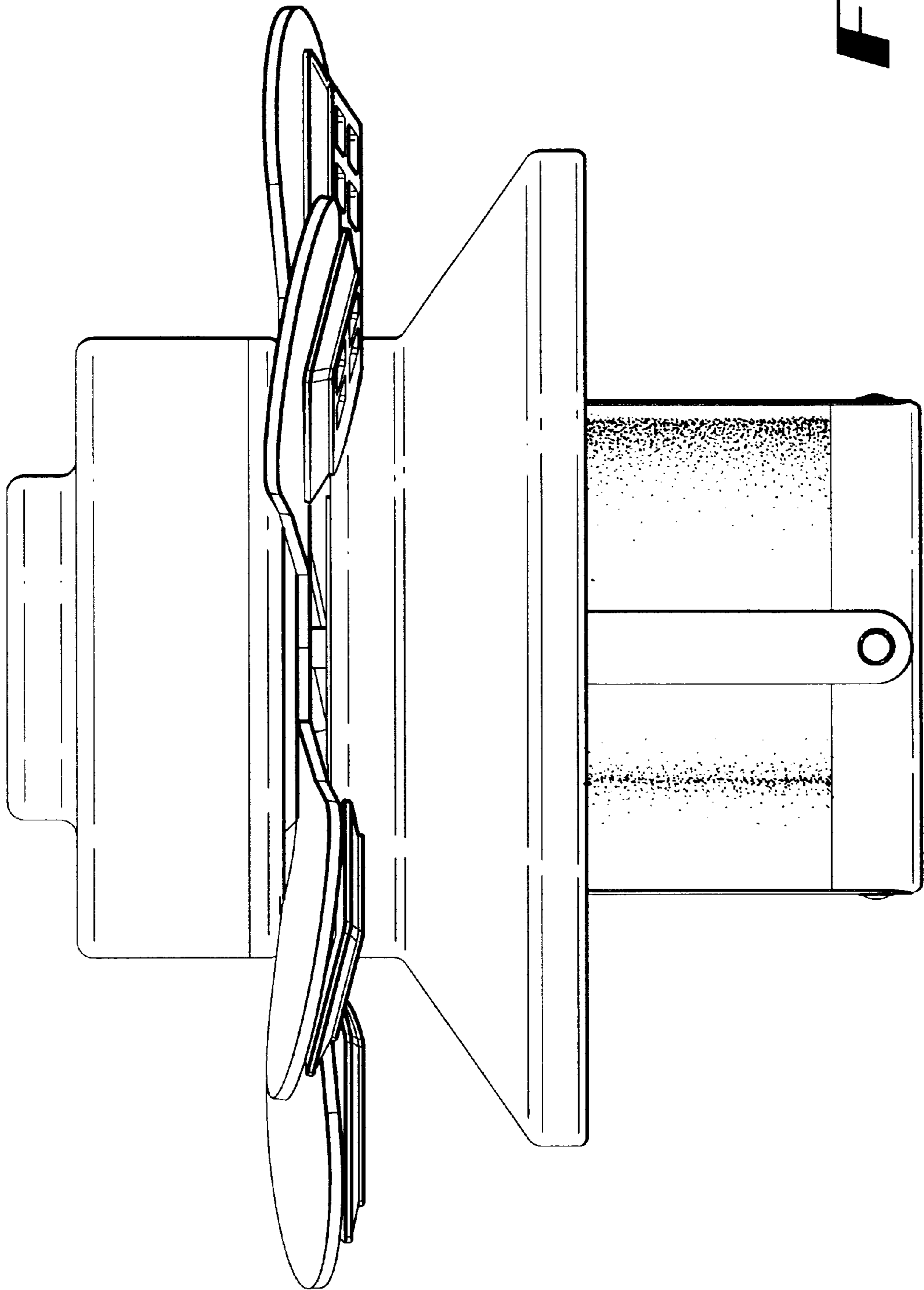


FIG 11

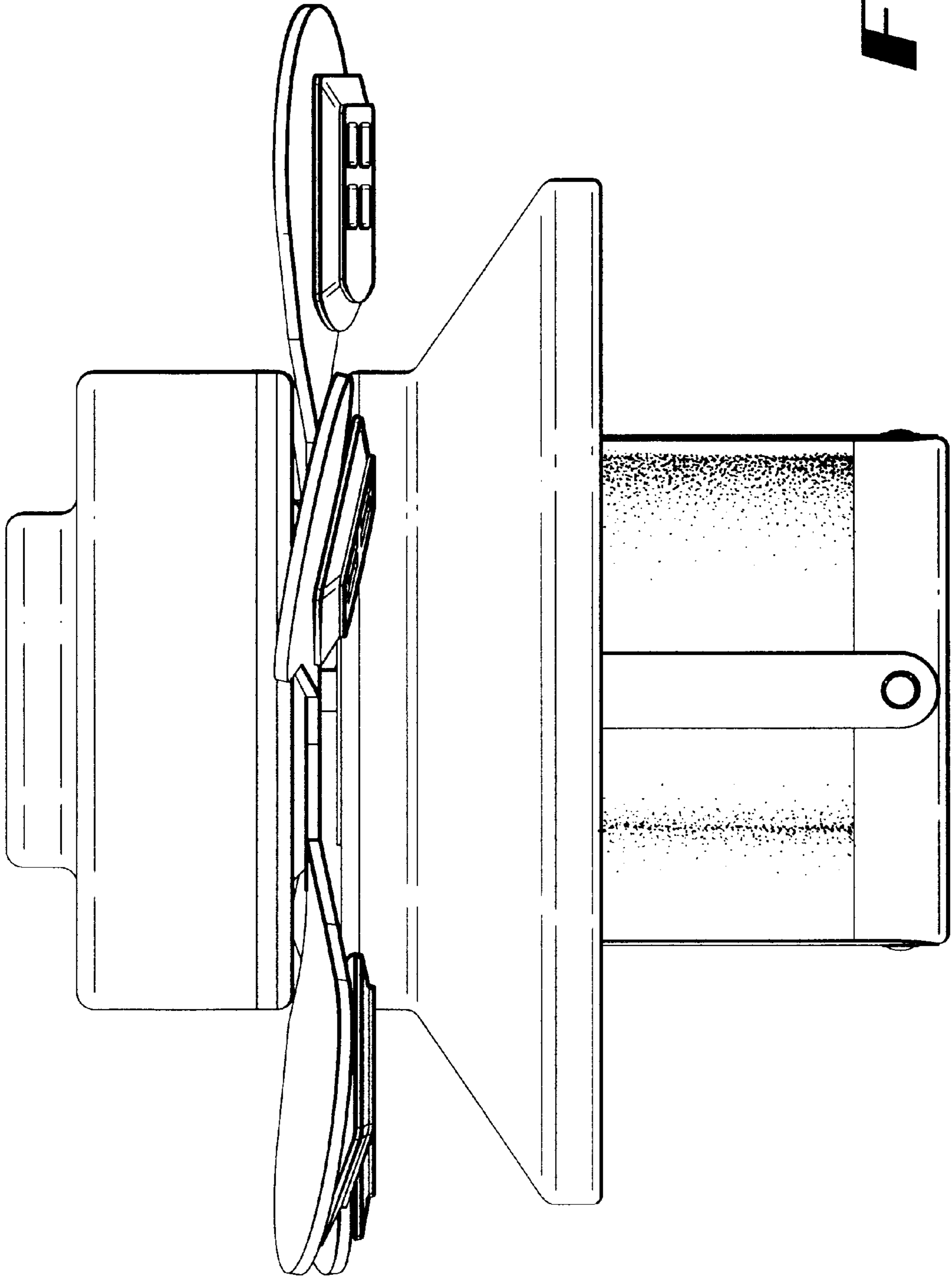


FIG 12

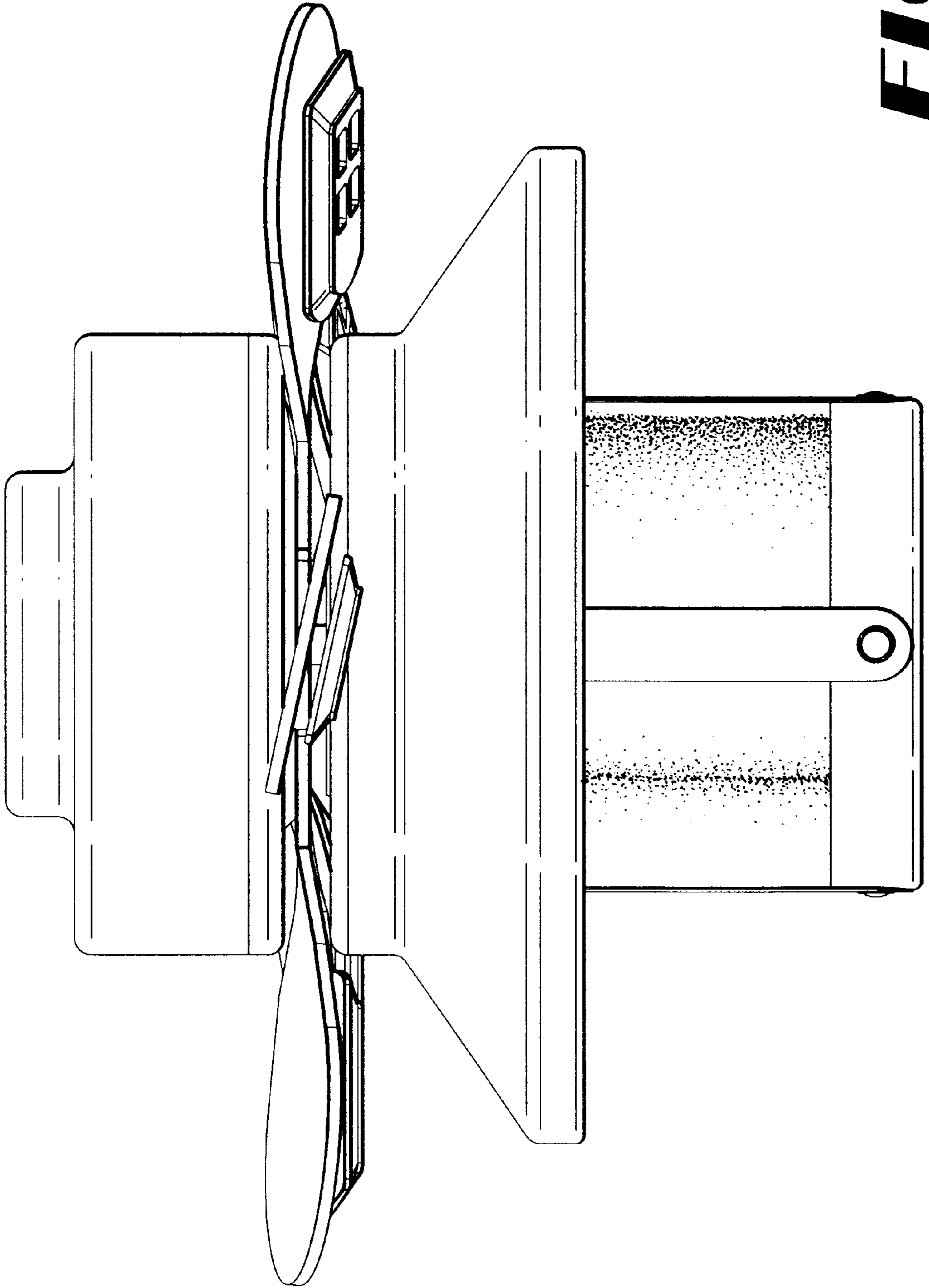


FIG 13