



US00D430927S

# United States Patent [19] Tani

[11] Patent Number: **Des. 430,927**

[45] Date of Patent: **\*\* Sep. 12, 2000**

[54] **WATER CLOSET**

[75] Inventor: **Minoru Tani**, Kitakyushu, Japan

[73] Assignee: **Toto Ltd.**, Japan

[\*\*] Term: **14 Years**

[21] Appl. No.: **29/112,965**

[22] Filed: **Oct. 28, 1999**

|            |        |                      |         |
|------------|--------|----------------------|---------|
| D. 379,496 | 5/1997 | Kawamura et al. .... | D23/301 |
| D. 381,408 | 7/1997 | Birsel et al. ....   | D23/301 |
| D. 383,833 | 9/1997 | Birsel et al. ....   | D23/301 |
| D. 384,136 | 9/1997 | Kawamura et al. .... | D23/301 |
| D. 393,309 | 4/1998 | Tani .....           | D23/301 |

### FOREIGN PATENT DOCUMENTS

|        |        |         |
|--------|--------|---------|
| 845954 | 8/1992 | Japan . |
| 922493 | 3/1995 | Japan . |
| 925113 | 5/1995 | Japan . |

*Primary Examiner*—Doris Clark  
*Attorney, Agent, or Firm*—Finnegan, Henderson, Farabow, Garrett & Dunner, L.L.P.

### Related U.S. Application Data

[62] Division of application No. 29/070,755, May 15, 1997.

### [30] Foreign Application Priority Data

Nov. 15, 1996 [JP] Japan ..... 8-34747

[51] **LOC (7) Cl.** ..... **23-02**

[52] **U.S. Cl.** ..... **D23/301**

[58] **Field of Search** ..... D23/295–301,  
D23/303–311, 300, 329–332, 353, 354,  
363–365, 420, 420.1–420.5, 443–448, 661

### [57] CLAIM

The ornamental design for a water closet, as shown and described.

### DESCRIPTION

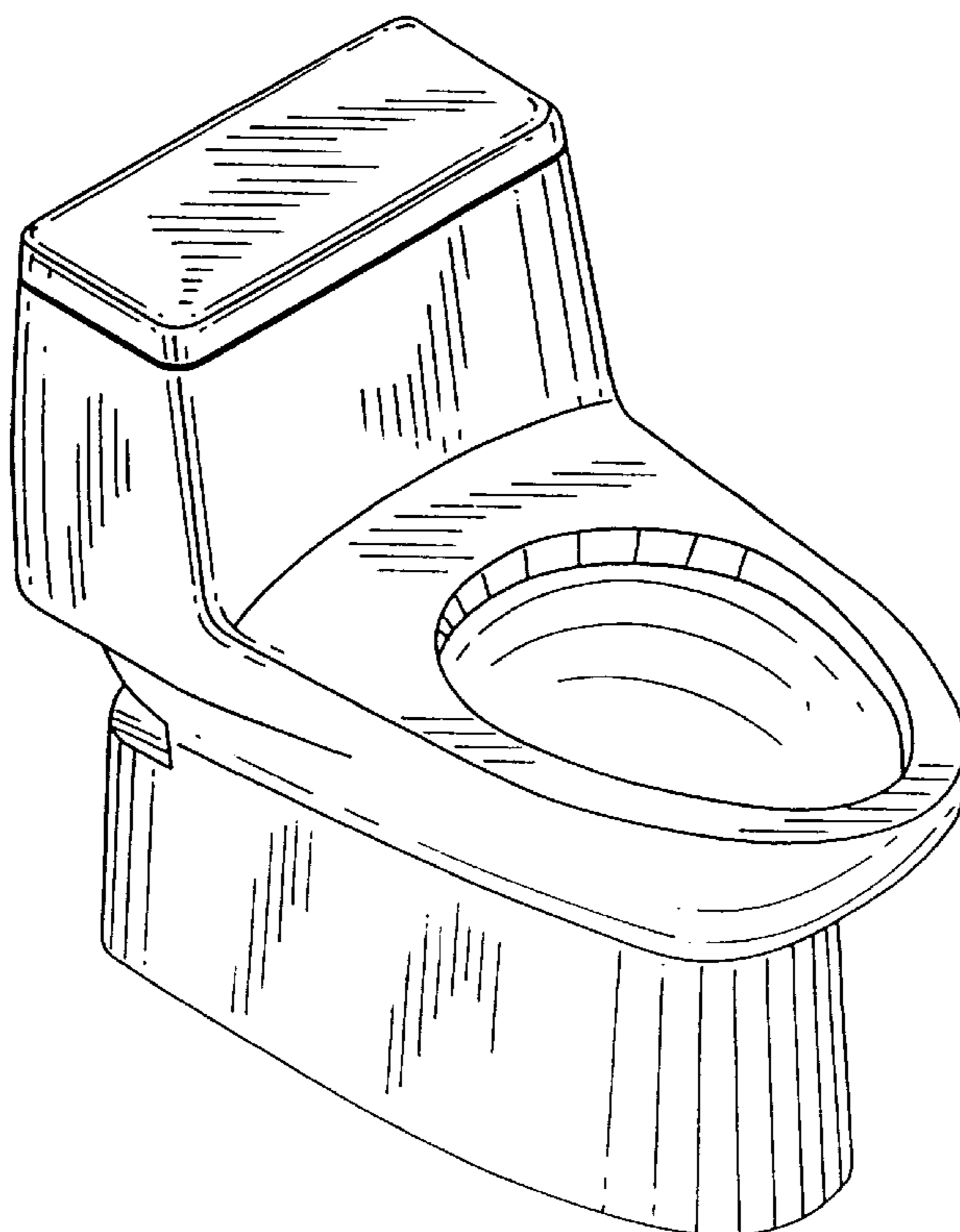
FIG. 1 is a front view of a first embodiment of a water closet embodying my design;  
FIG. 2 is a top view thereof;  
FIG. 3 is a right side view thereof, the left side being a mirror image of the right side;  
FIG. 4 is a perspective view thereof;  
FIG. 5 is a front view of a second embodiment of a water closet embodying my design;  
FIG. 6 is a top view thereof;  
FIG. 7 is a right side view thereof, the left side being a mirror image of the right side; and,  
FIG. 8 is a perspective view thereof.

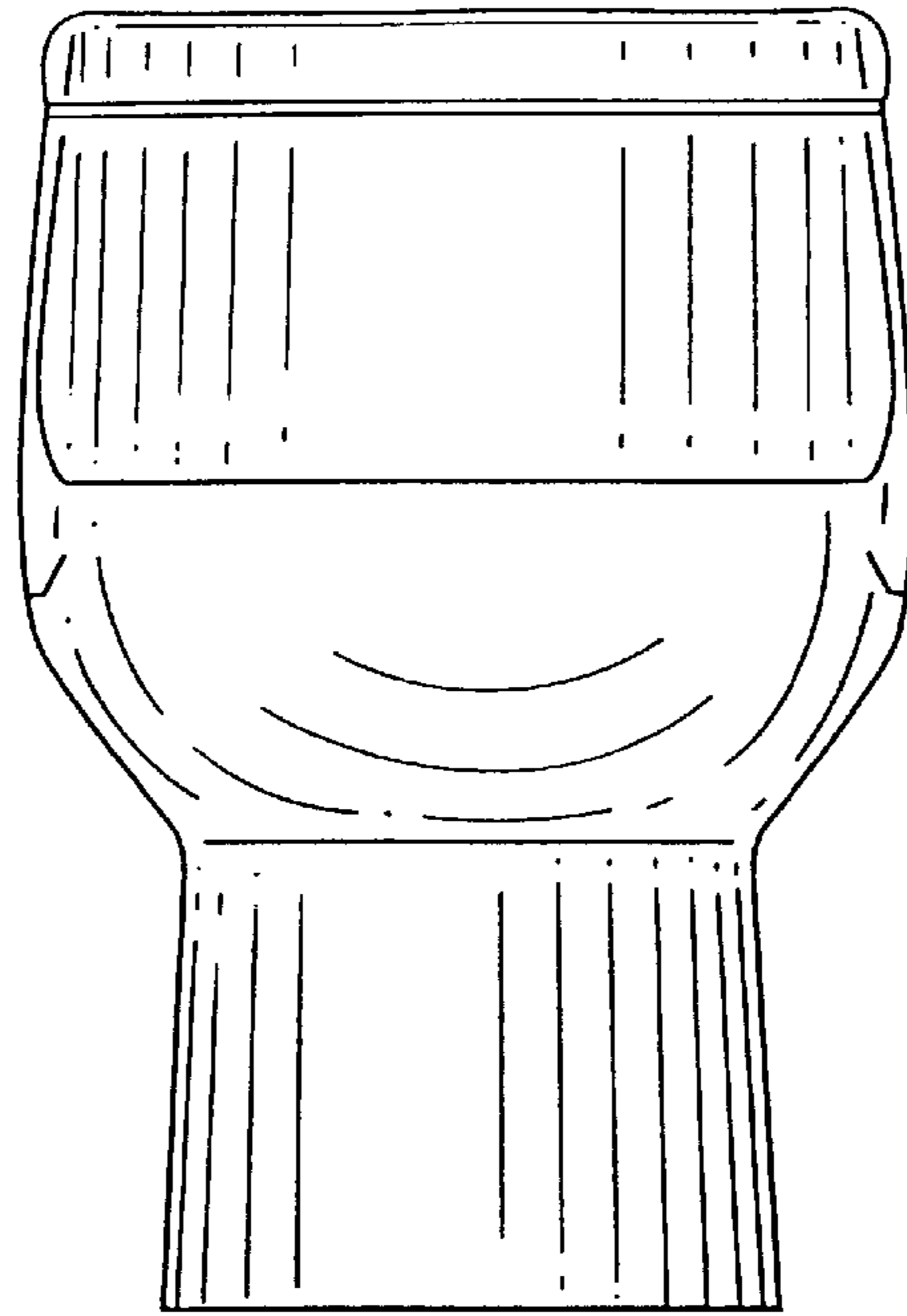
### [56] References Cited

#### U.S. PATENT DOCUMENTS

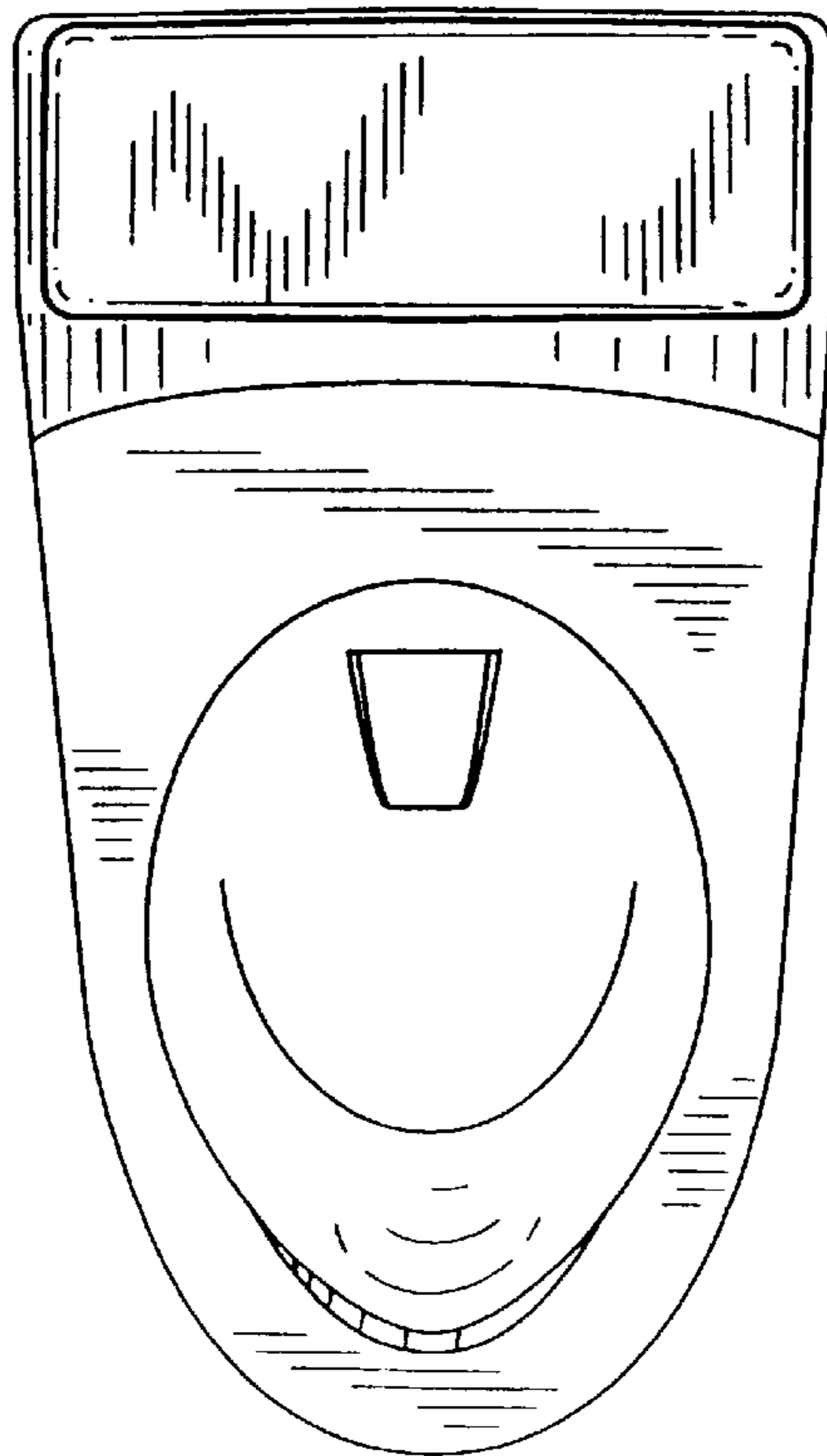
|            |         |                         |         |
|------------|---------|-------------------------|---------|
| D. 250,202 | 11/1978 | Doman et al. ....       | D23/65  |
| D. 278,078 | 3/1985  | Kaiser .....            | D23/65  |
| D. 292,431 | 10/1987 | Kohler, Jr. ....        | D23/301 |
| D. 311,243 | 10/1990 | Vaupel et al. ....      | D23/301 |
| D. 346,854 | 5/1994  | Reid .....              | D23/301 |
| D. 349,156 | 7/1994  | Kohler, Jr. et al. .... | D23/301 |
| D. 352,549 | 11/1994 | Sim .....               | D23/301 |
| D. 353,450 | 12/1994 | Anderson et al. ....    | D23/301 |

**1 Claim, 4 Drawing Sheets**

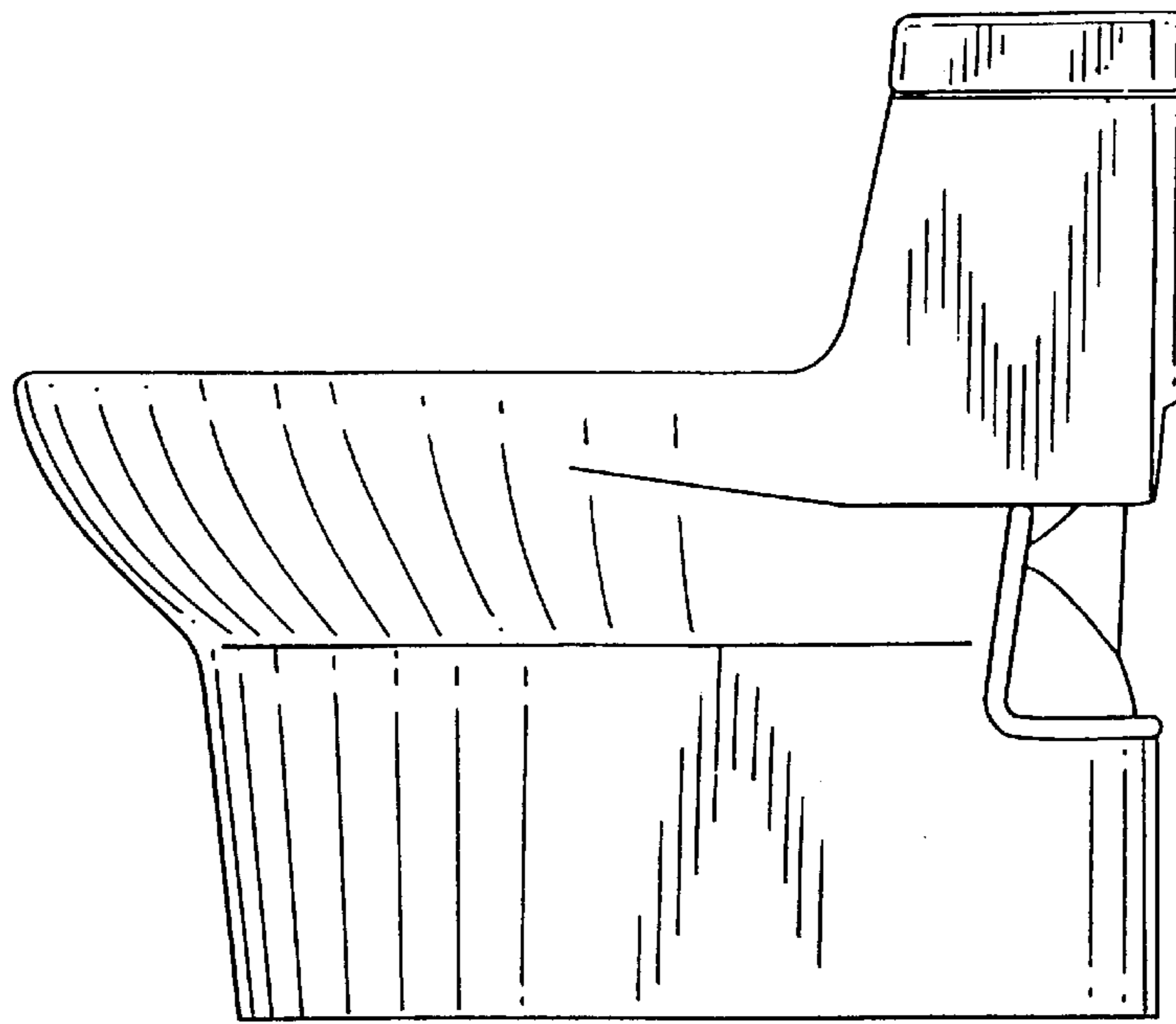




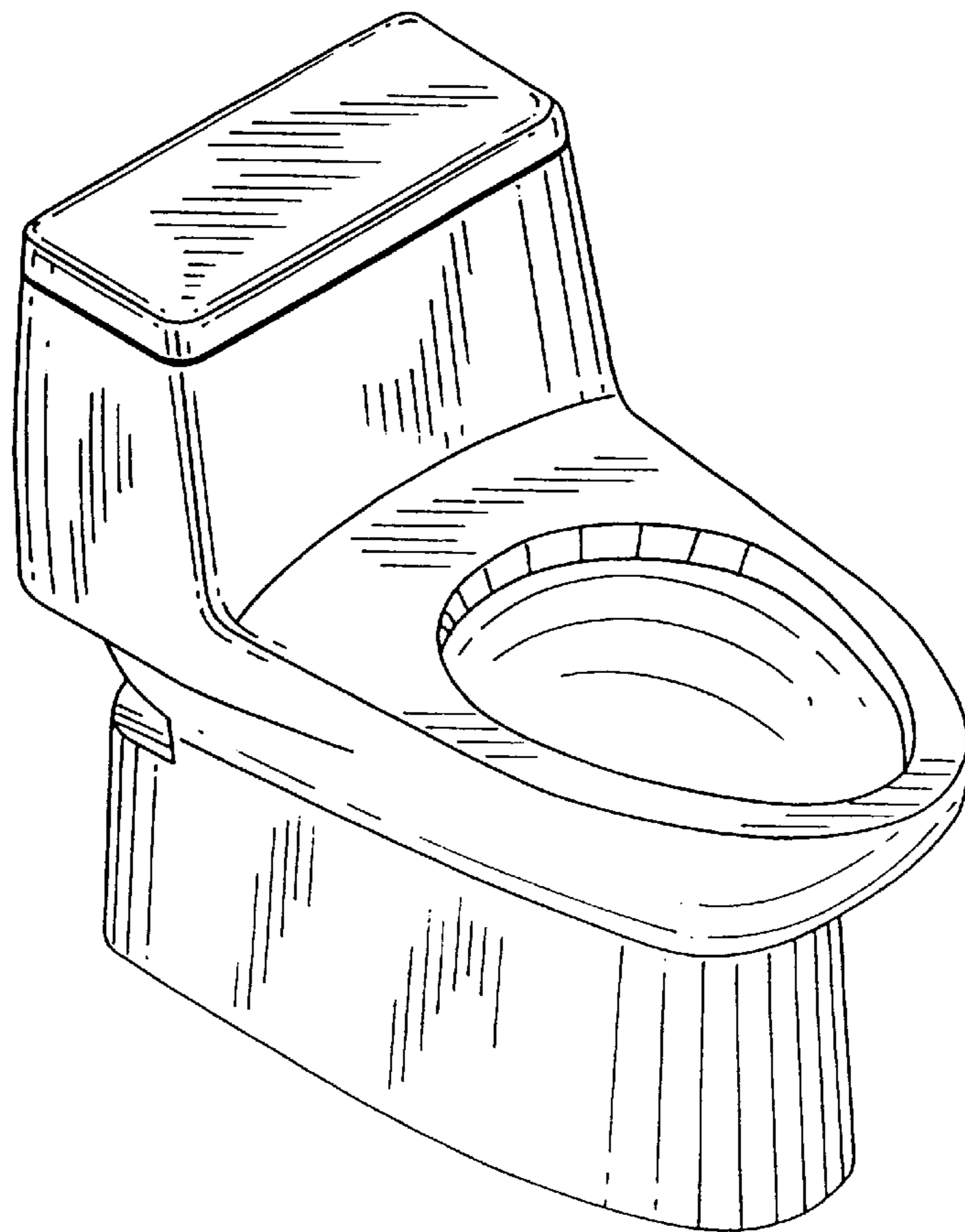
**FIG. 1**



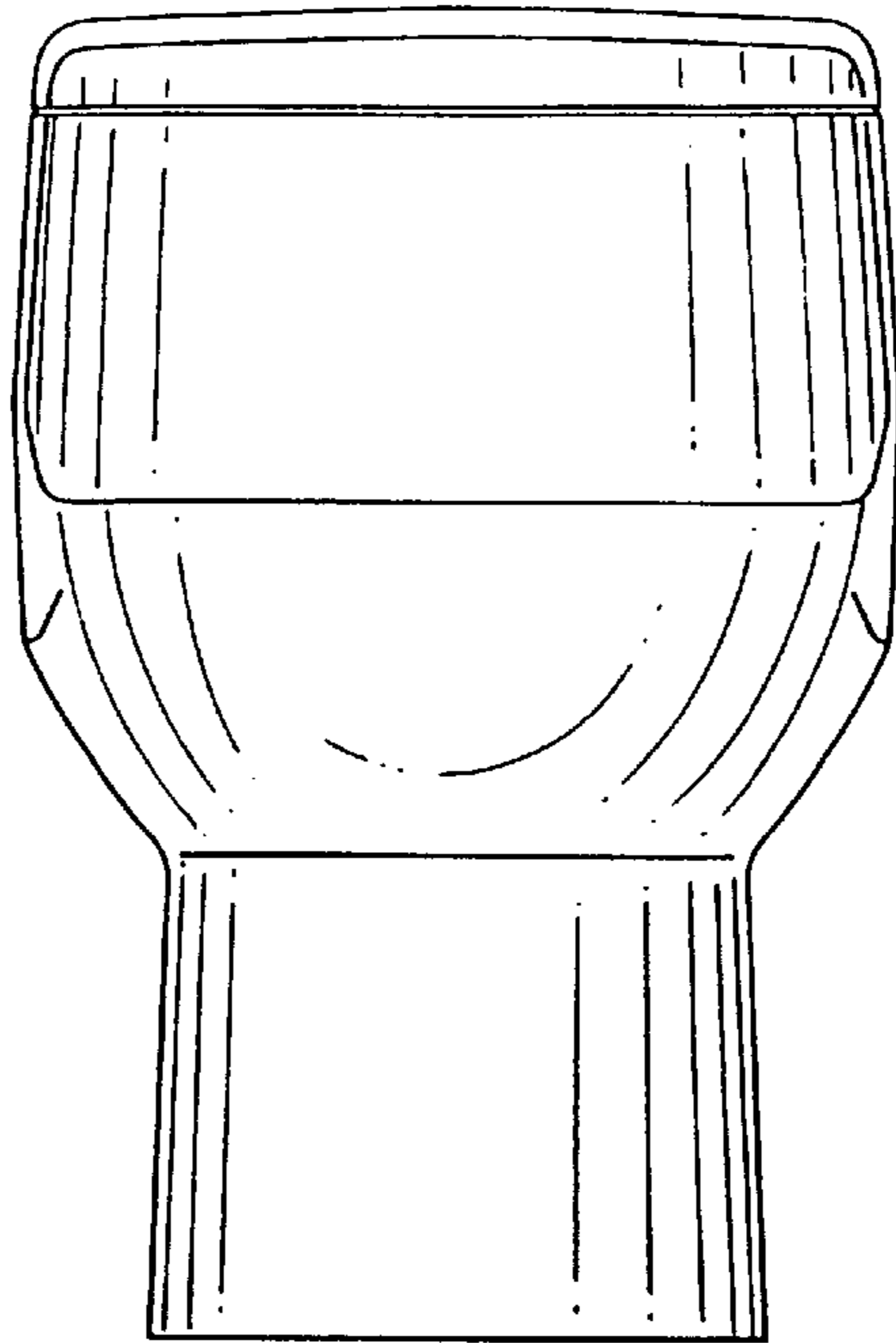
**FIG. 2**



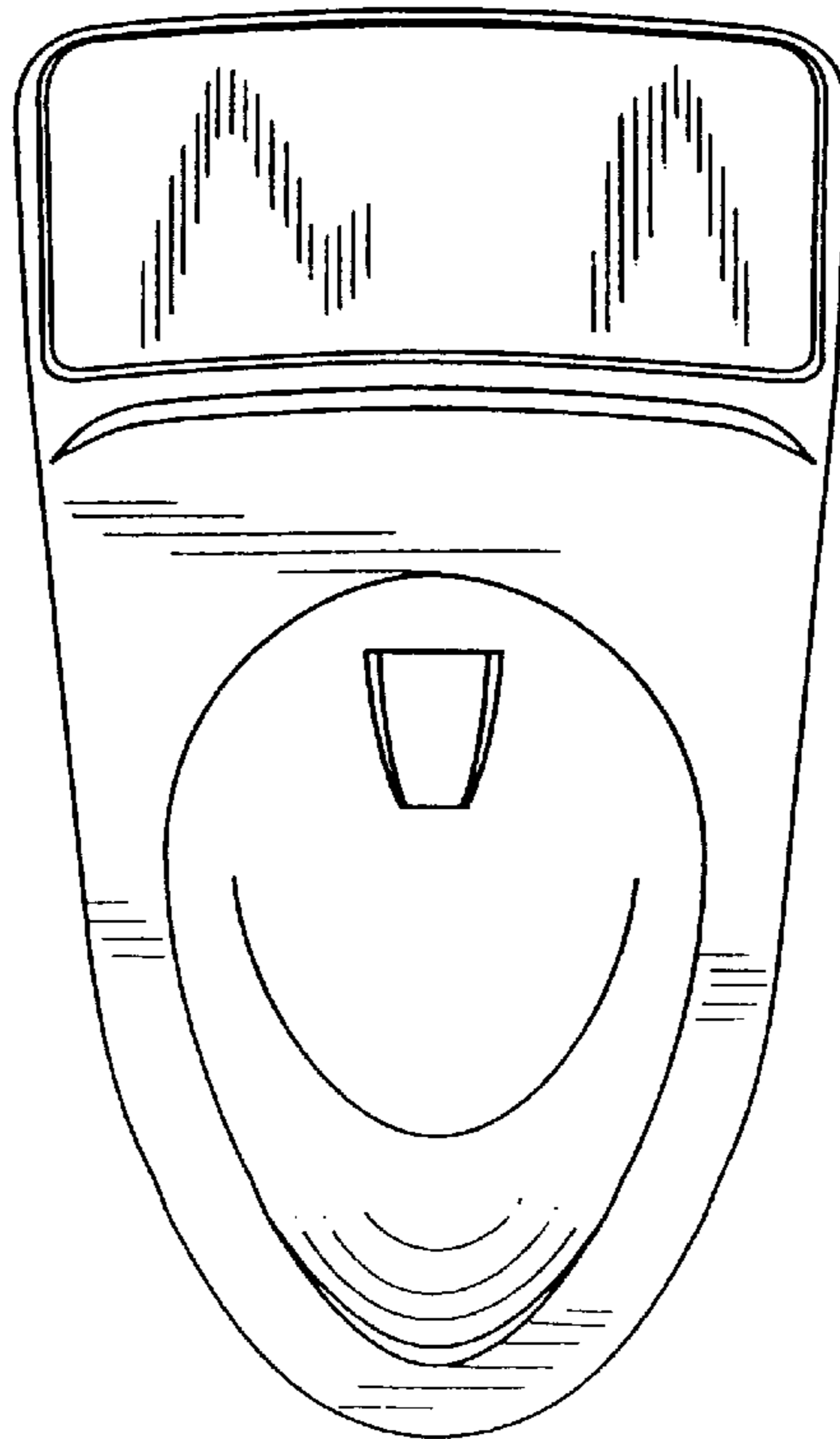
**FIG. 3**



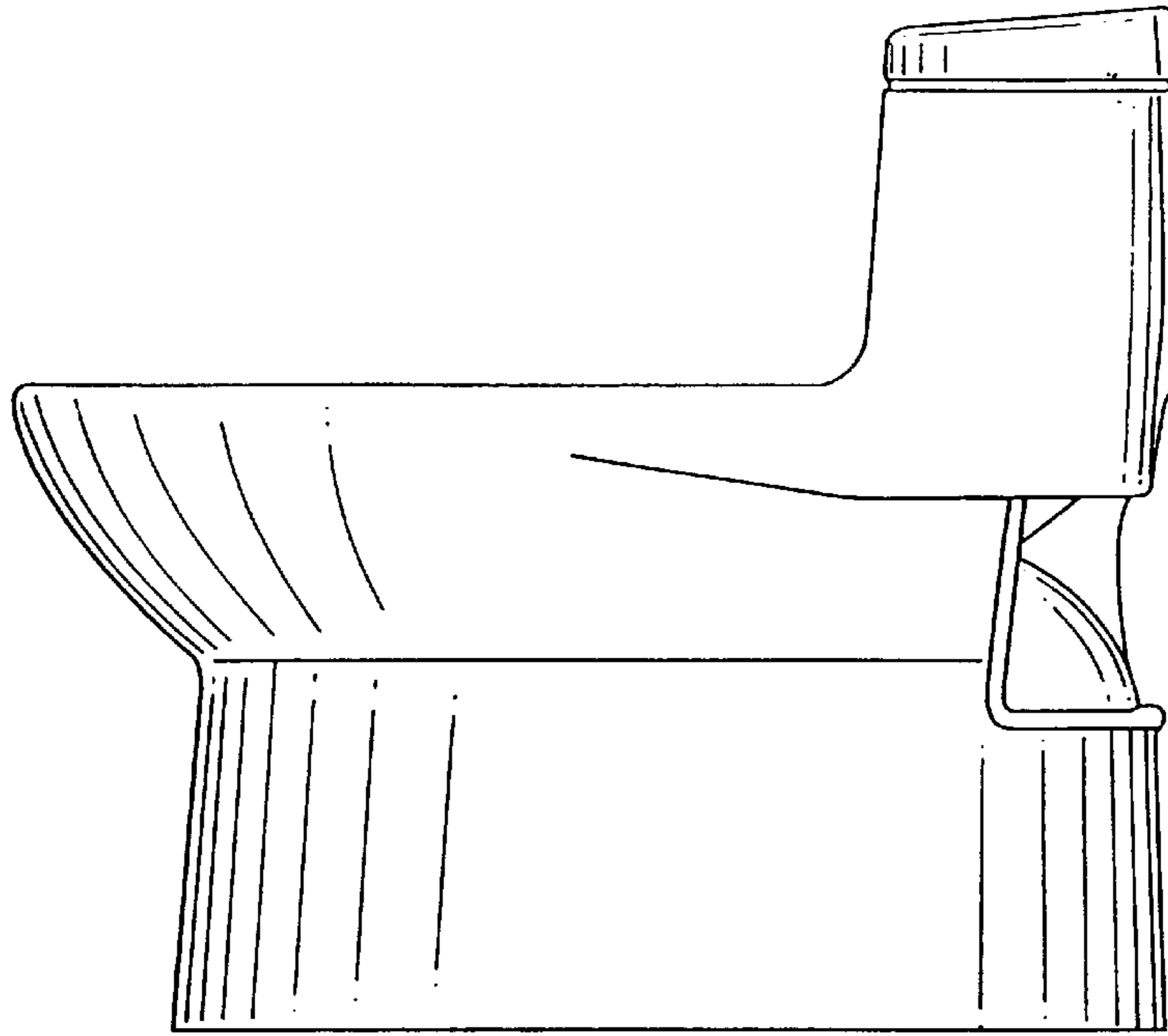
**FIG. 4**



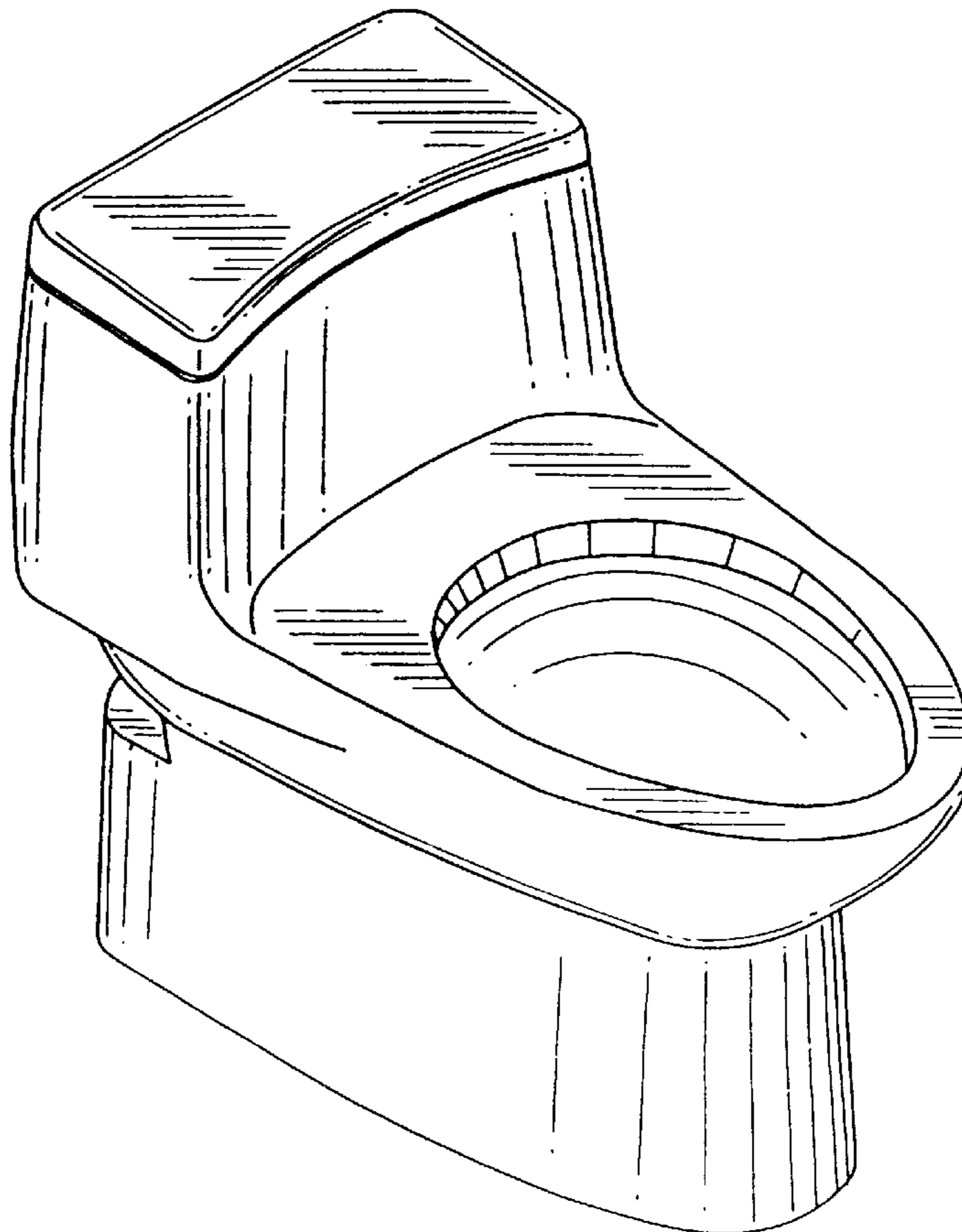
**FIG. 5**



**FIG. 6**



**FIG. 7**



**FIG. 8**