



US00D430926S

United States Patent [19]
Kowalski

[11] **Patent Number: Des. 430,926**

[45] **Date of Patent: ** Sep. 12, 2000**

[54] **CHILD'S PORTABLE COMMODORE**

4,606,080 8/1986 Clementino 4/449

[75] Inventor: **Charles Kowalski**, Ridgewood, N.J.

Primary Examiner—Doris Clark

Attorney, Agent, or Firm—Collen Law Associates, P.C.

[73] Assignee: **Galko Corp.**, Ridgewood, N.J.

[**] Term: **14 Years**

[57] **CLAIM**

The ornamental design for a child's portable commode, as shown and described.

[21] Appl. No.: **29/111,848**

[22] Filed: **Oct. 4, 1999**

DESCRIPTION

[51] **LOC (7) Cl.** **23-02**

FIG. 1 is a front view of my new and ornamental design for a child's portable commode, showing each individual element of the commode; and,

[52] **U.S. Cl.** **D23/296**

FIG. 2 is a front view of my new and ornamental design for a child's portable commode, showing the commode as an assembled unit.

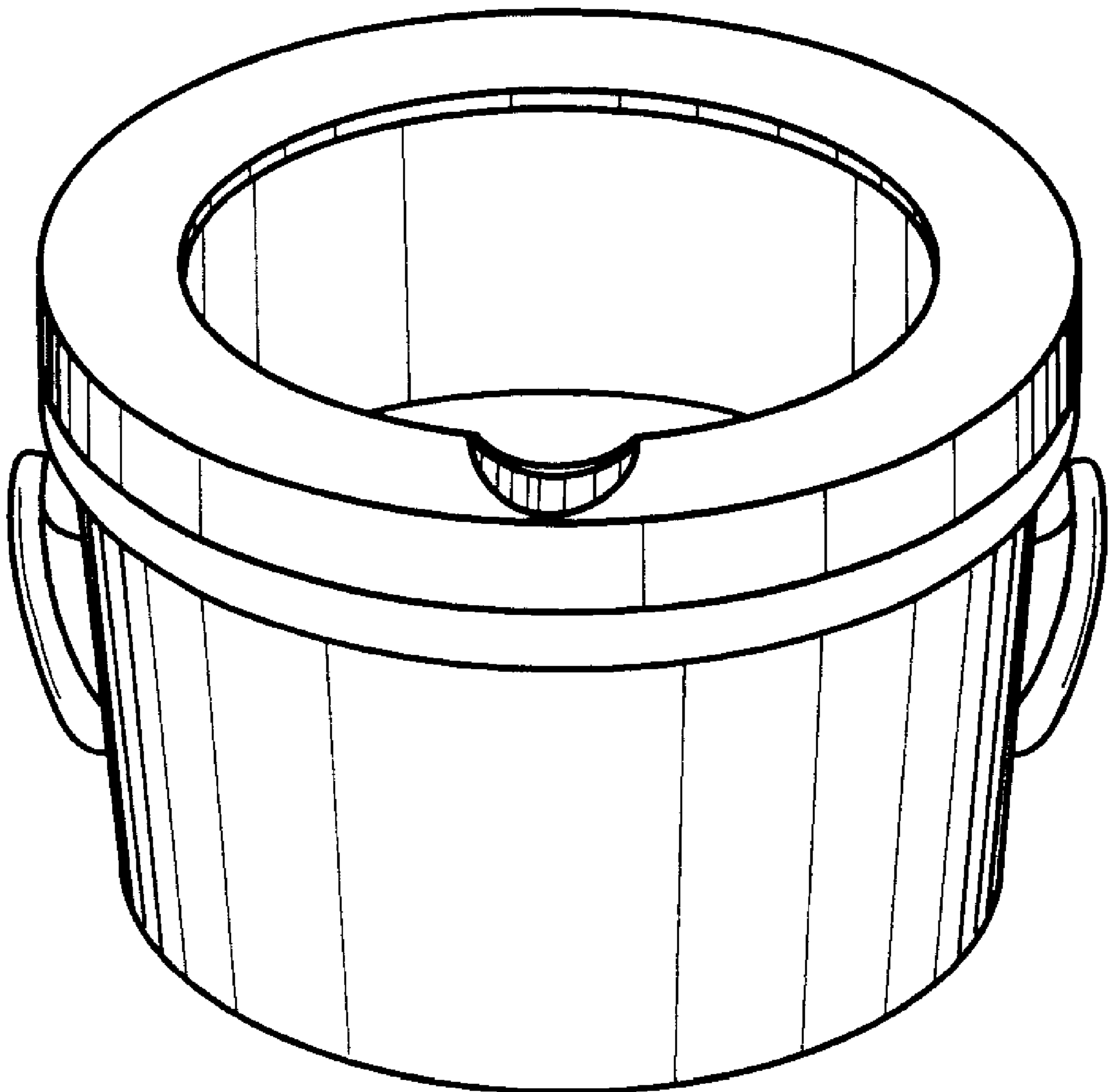
[58] **Field of Search** 4/449; D23/296,
D23/309

[56] **References Cited**

U.S. PATENT DOCUMENTS

D. 302,583 8/1989 Lammayer D23/296

1 Claim, 2 Drawing Sheets



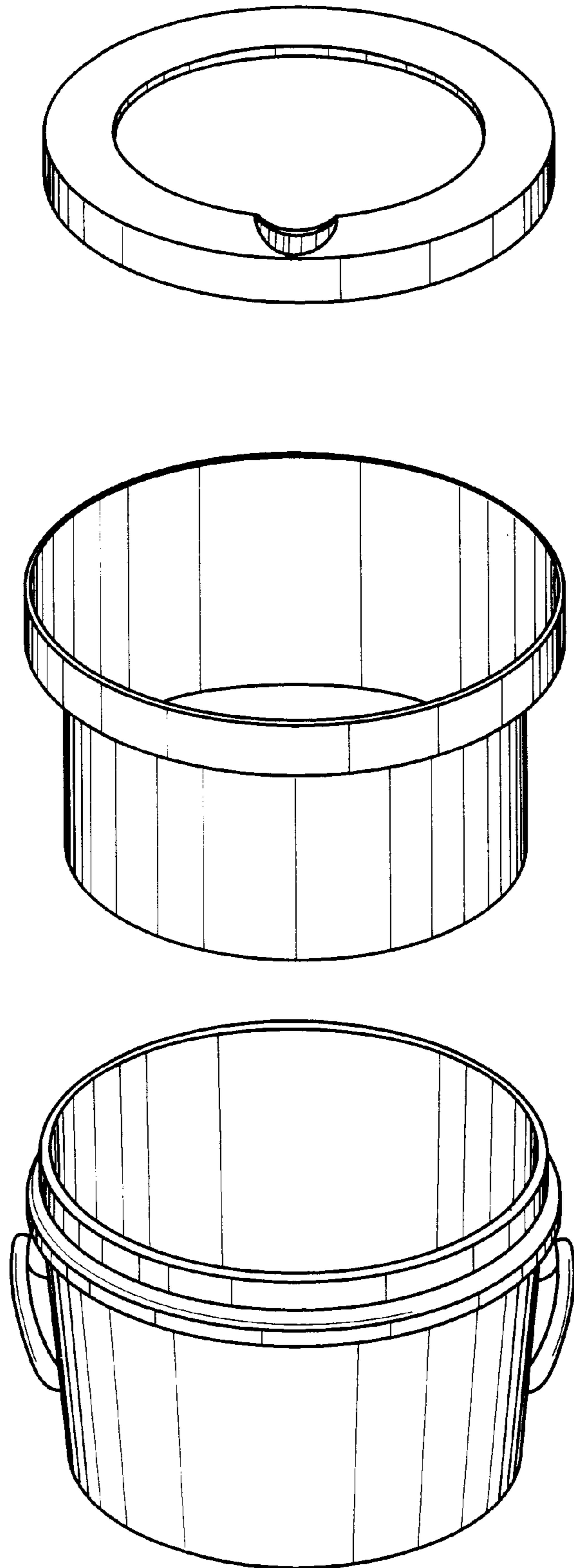


Fig. 1

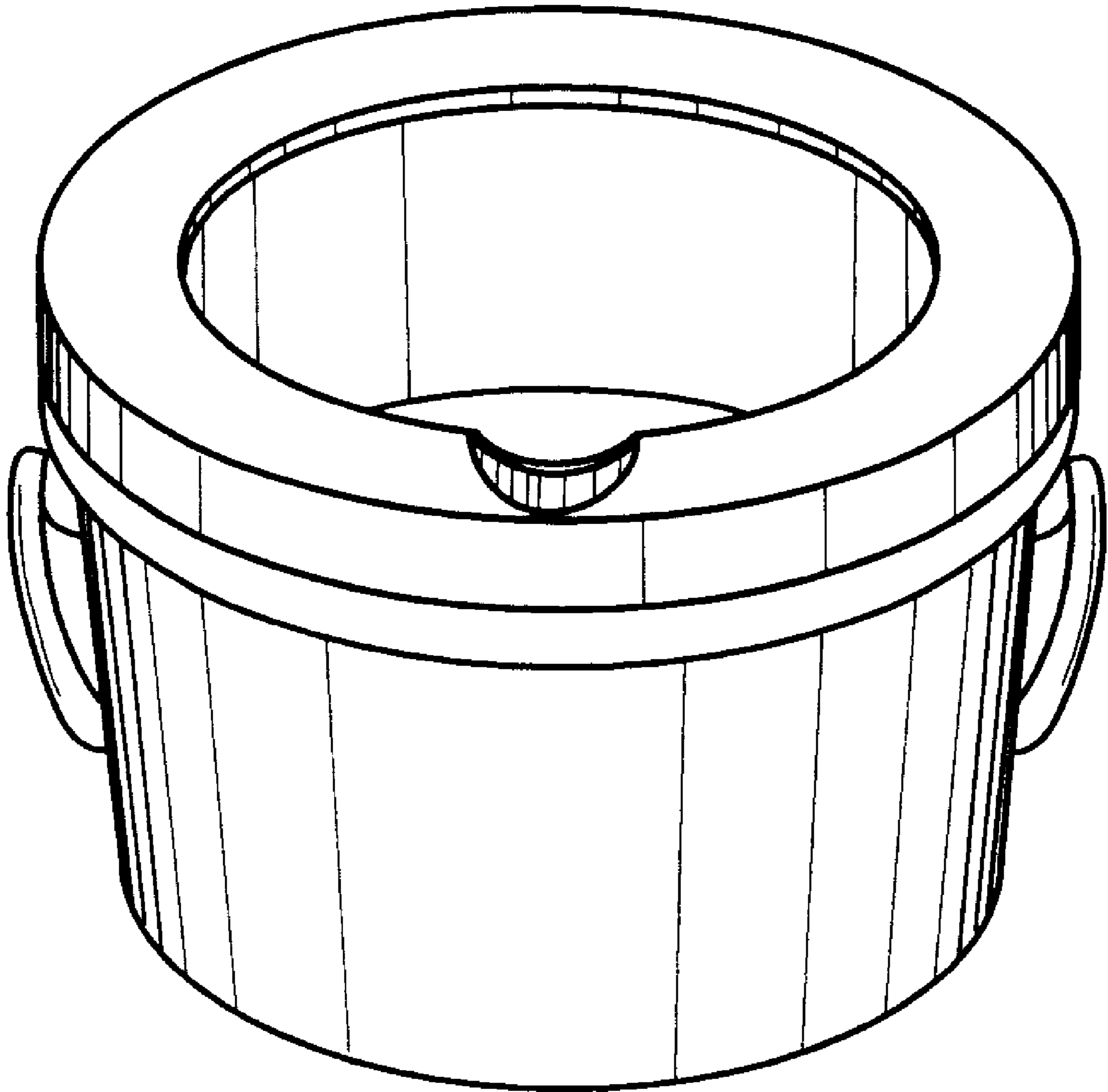


Fig. 2