



US00D430922S

United States Patent [19]

[11] **Patent Number: Des. 430,922**

Hung-Lin

[45] **Date of Patent: ** Sep. 12, 2000**

[54] **CUT-OUT VALVE**

3,132,837 5/1964 Britton 251/315.01
5,076,541 12/1991 Daghe et al. 251/309
5,735,307 4/1998 Charron 251/315.01

[76] **Inventor: Lai Hung-Lin**, No. 5-3, Chi Pan Lane,
Kou Chien Li, Lu Kang Township,
Chang Hua Hsien, Taiwan

Primary Examiner—Robin V. Taylor
Attorney, Agent, or Firm—Harrison & Egbert

[**] **Term: 14 Years**

[57] CLAIM

[21] **Appl. No.: 29/113,040**

I claim the ornamental design for a cut-out valve, as shown and described.

[22] **Filed: Oct. 29, 1999**

DESCRIPTION

[51] **LOC (7) Cl. 23-01**

FIG. 1 is an upper perspective view of a cut-out valve design showing my design.

[52] **U.S. Cl. D23/245; D23/233**

FIG. 2 is a front view thereof;

[58] **Field of Search D23/233-237,
D23/244-5; 251/309, 310, 315.01, 315.1**

FIG. 3 is a back view thereof;

[56] References Cited

U.S. PATENT DOCUMENTS

D. 318,903 8/1991 Lenberg D23/245
D. 325,621 4/1992 Hengesbach D23/245
D. 400,970 11/1998 Voo D23/245

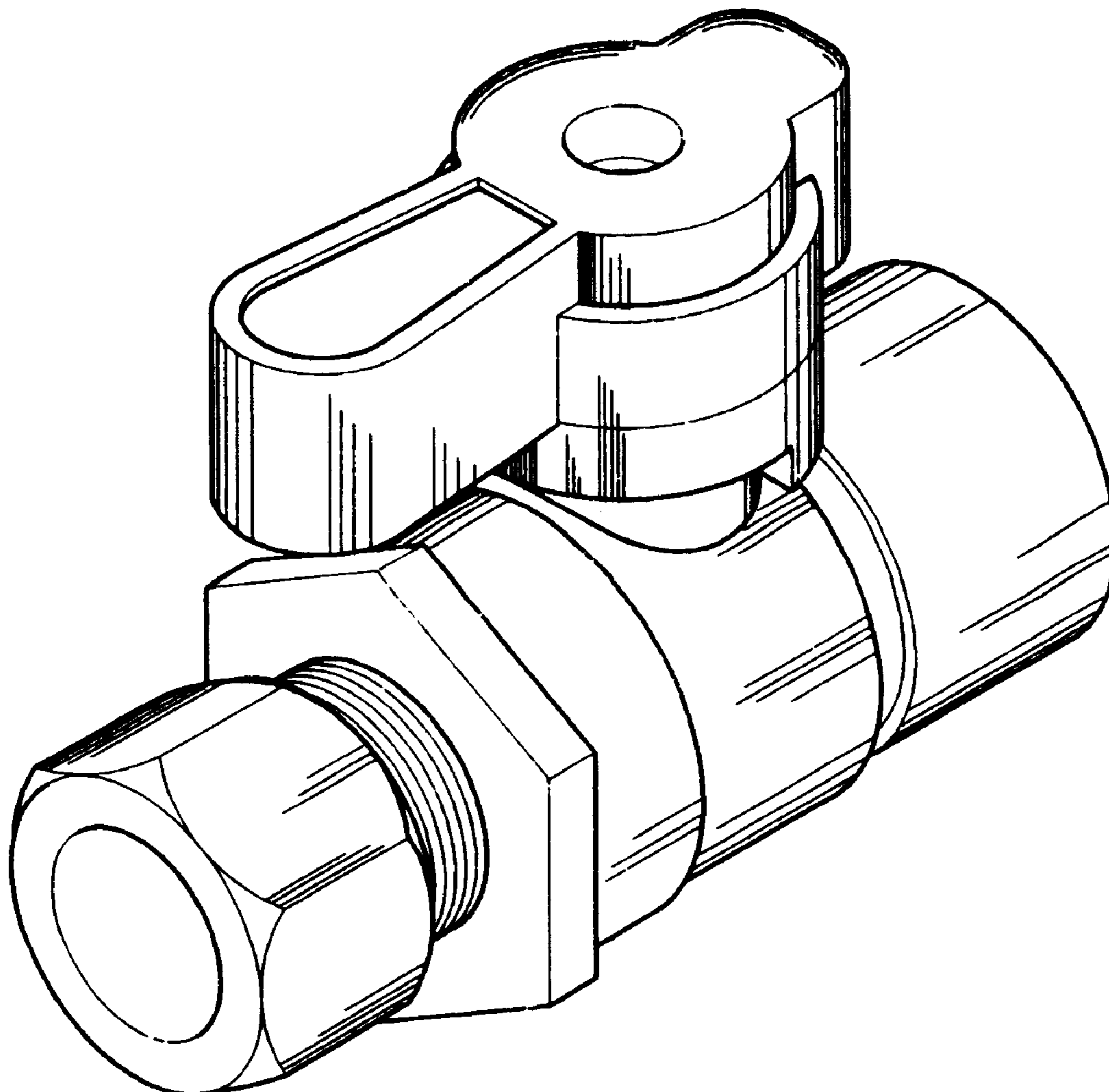
FIG. 4 is a side view thereof;

FIG. 5 is an opposite side view thereof;

FIG. 6 is a top view thereof; and,

FIG. 7 is a bottom view thereof;

1 Claim, 4 Drawing Sheets



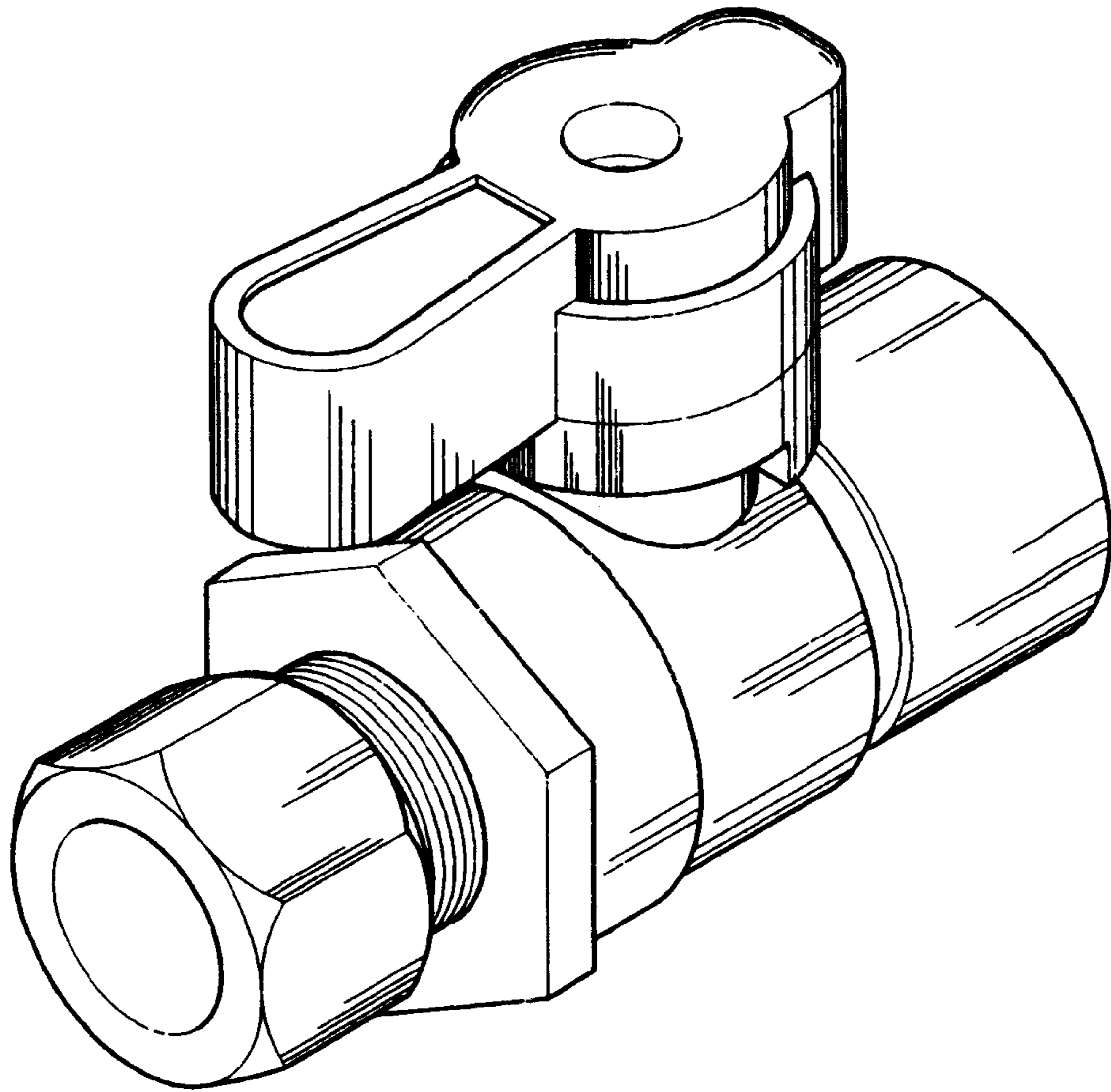


FIG. 1

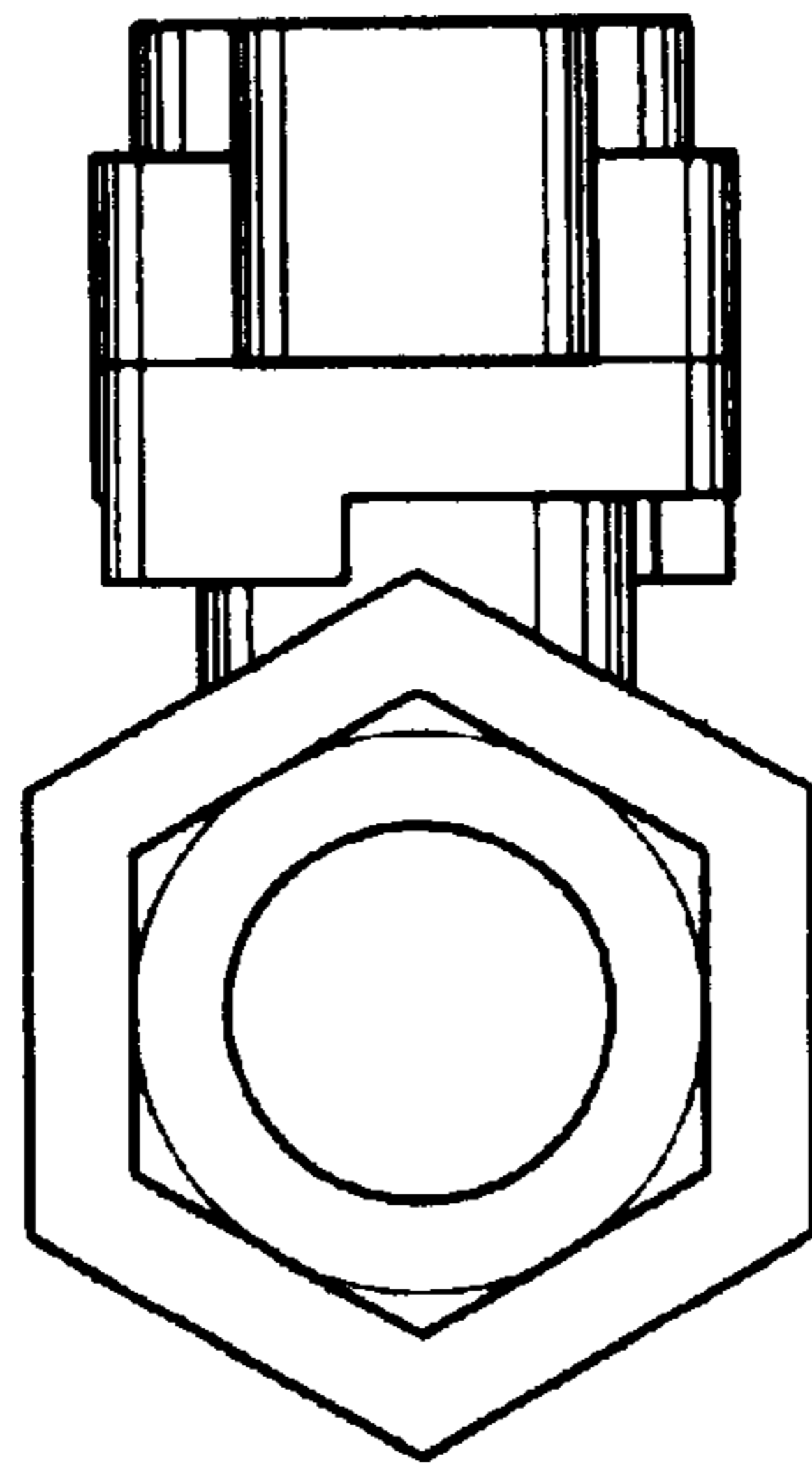


FIG. 2

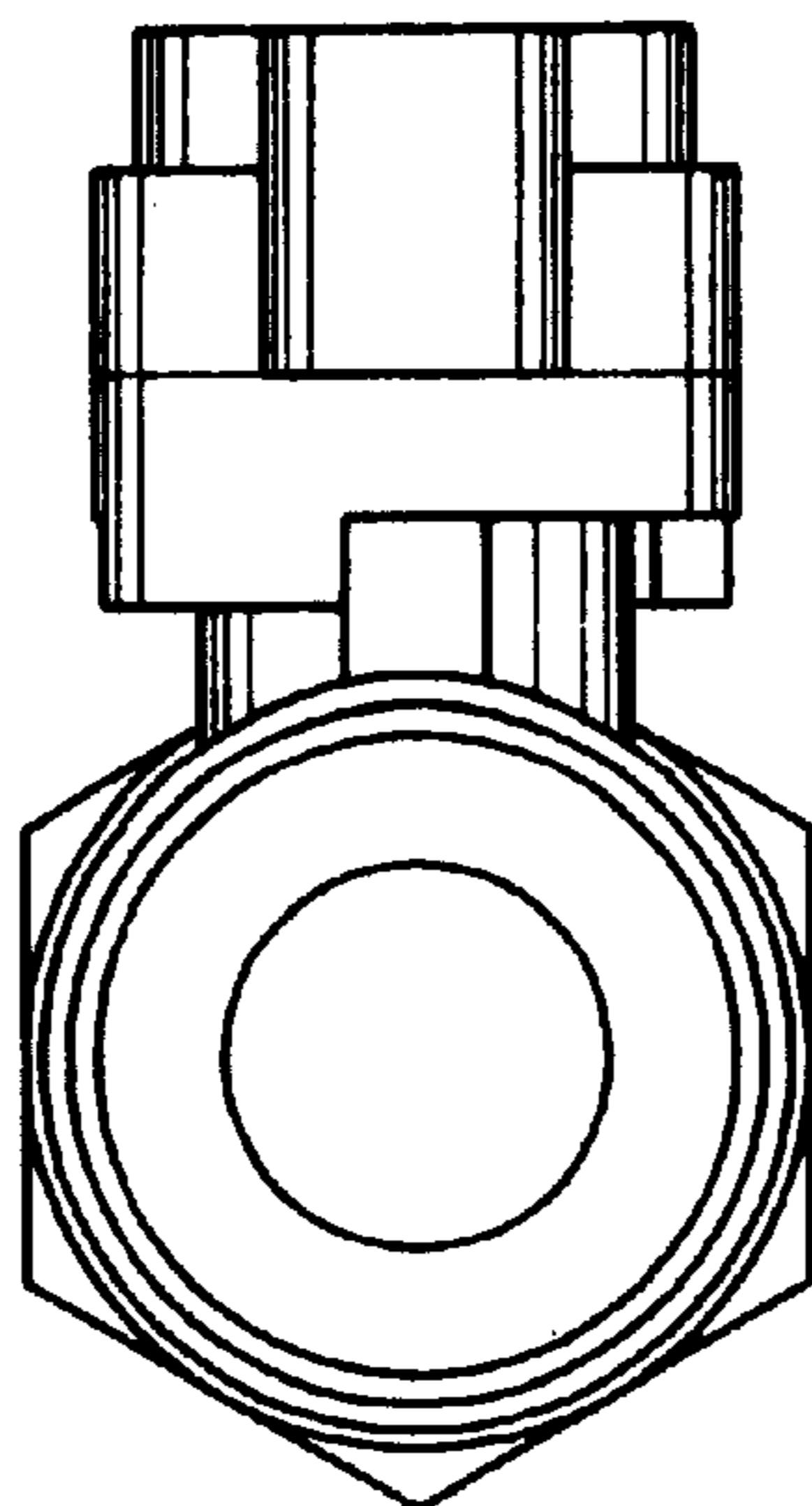


FIG. 3

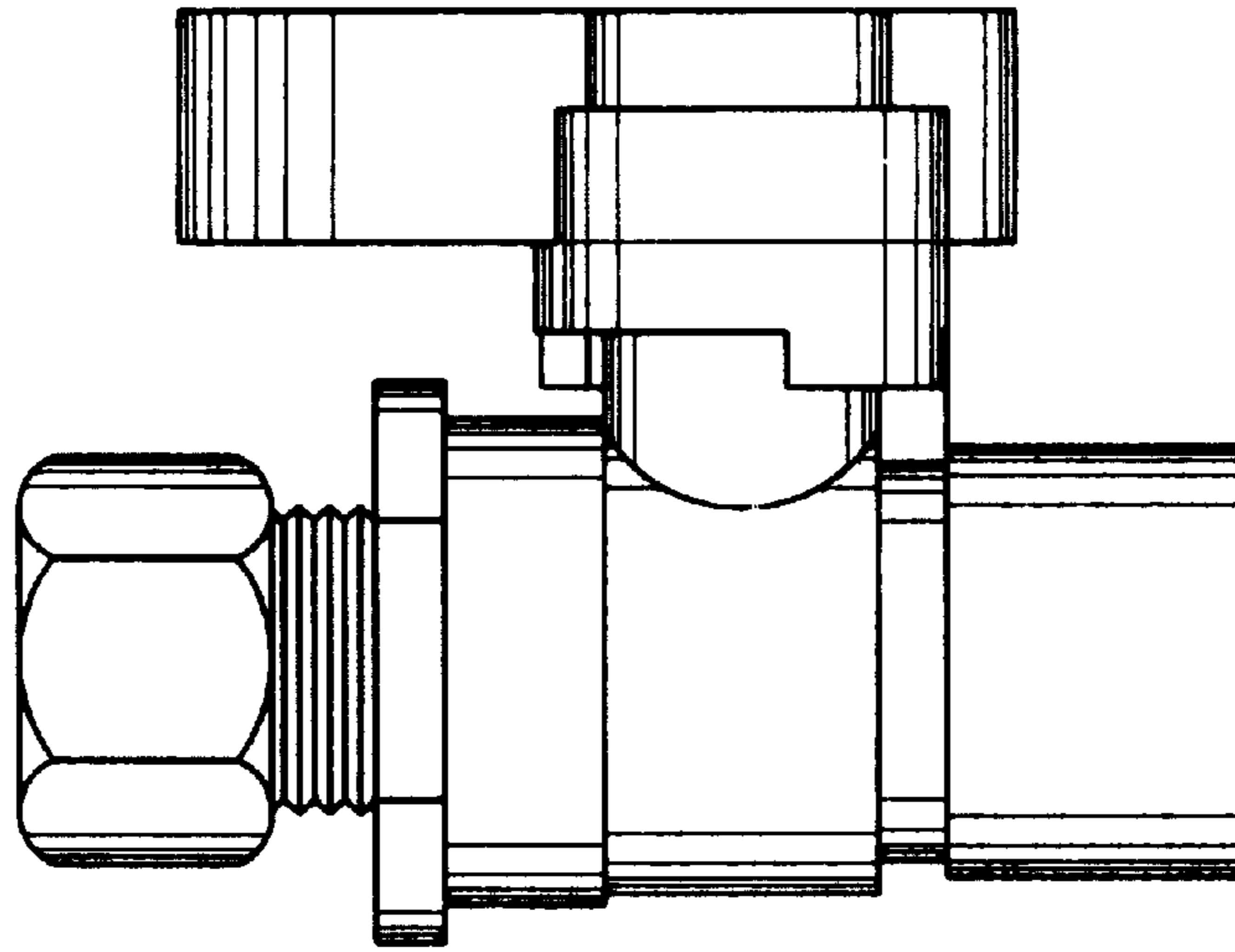


FIG. 4

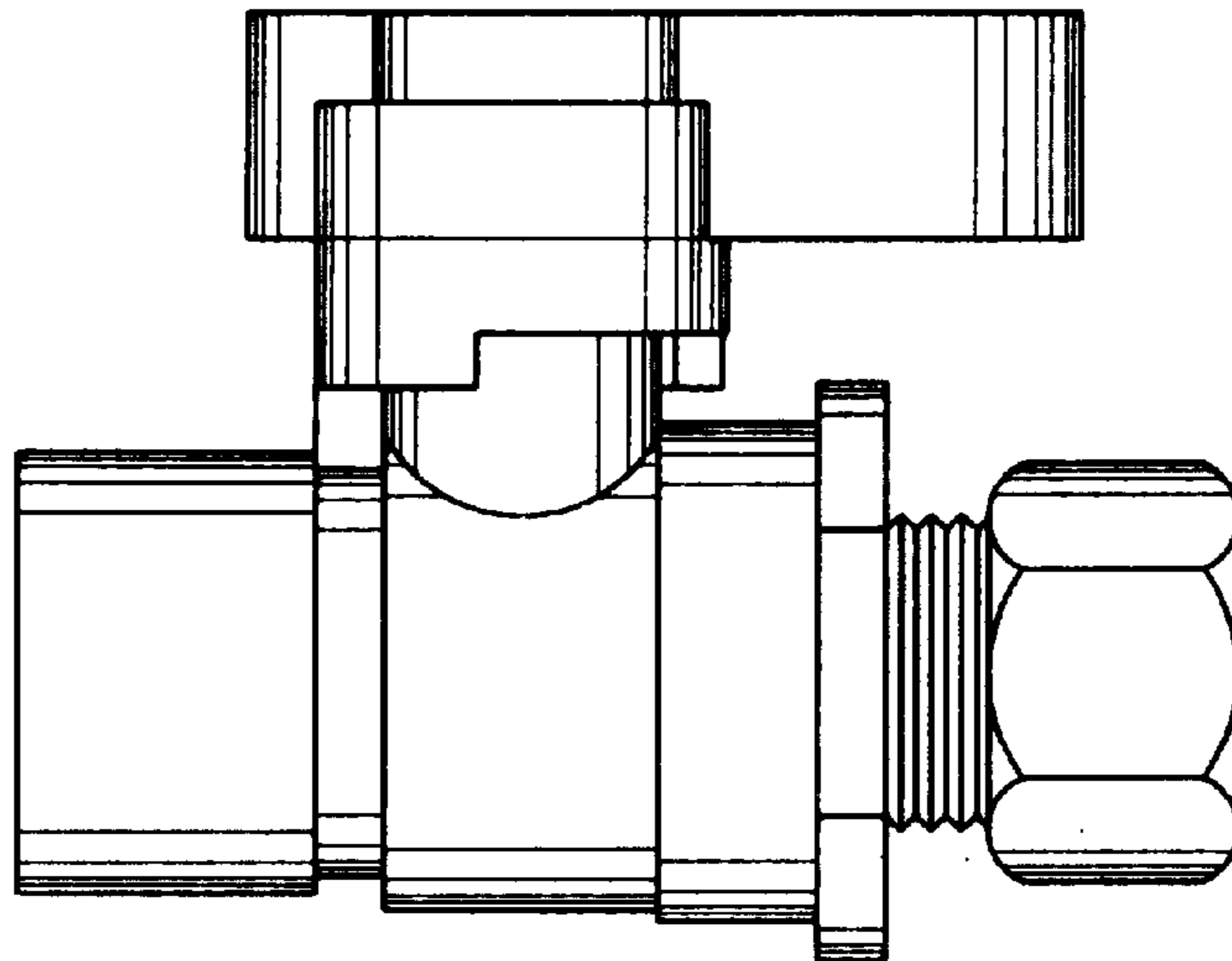


FIG. 5

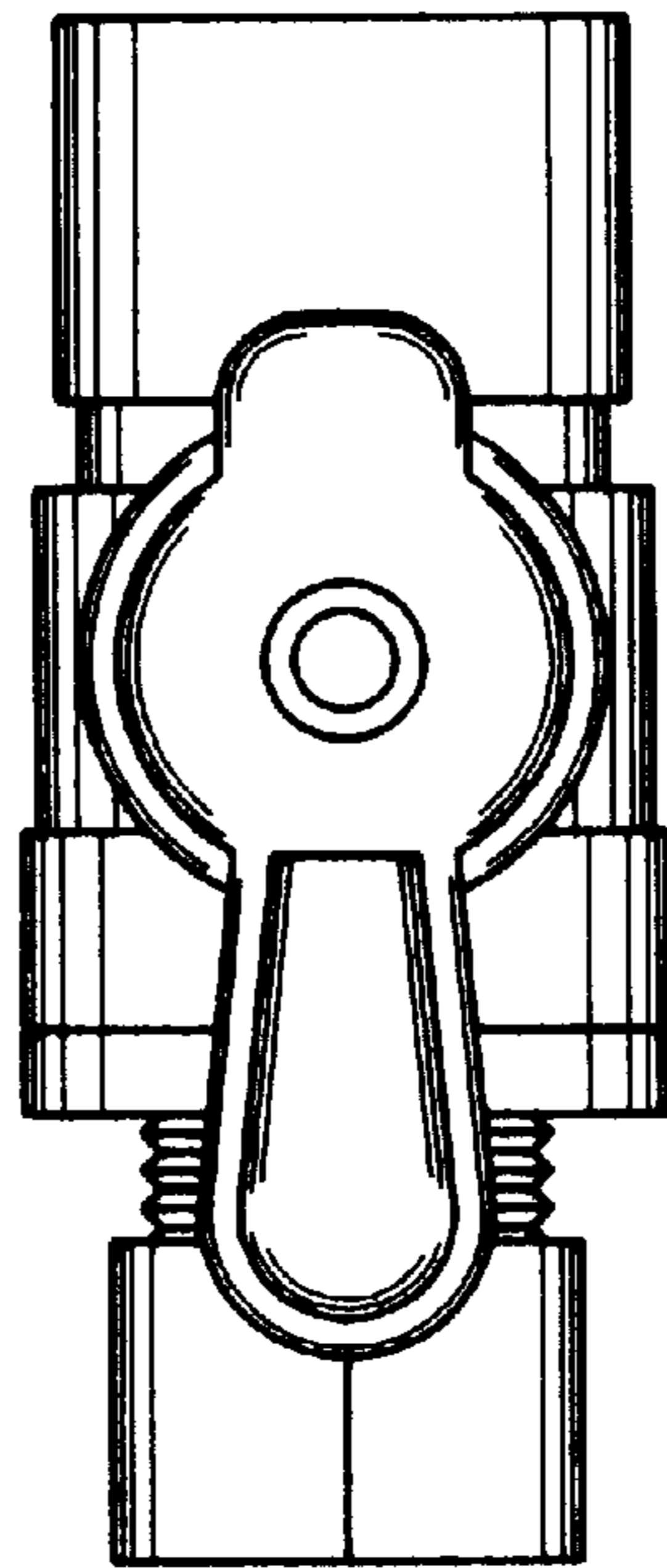


FIG. 6

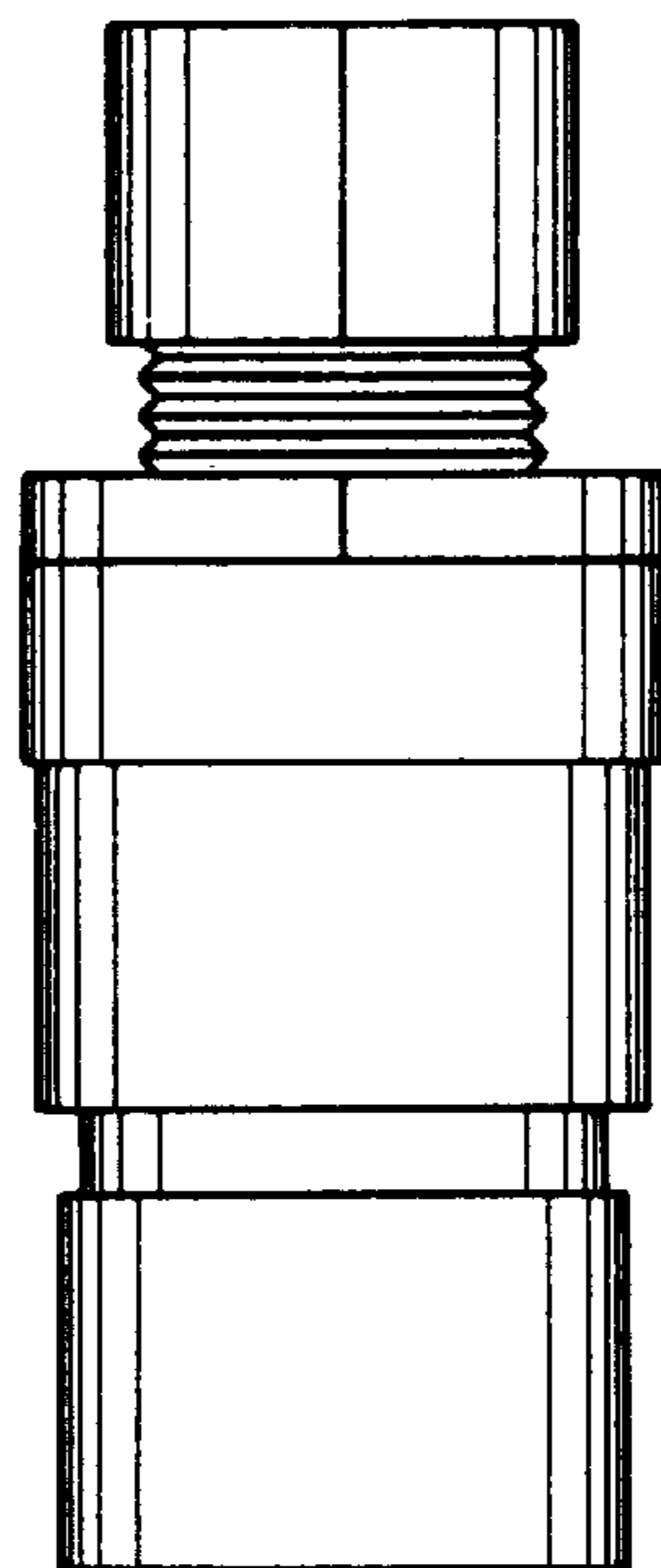


FIG. 7