



US00D430919S

United States Patent [19]
Claussen

[11] **Patent Number: Des. 430,919**

[45] **Date of Patent: ** Sep. 12, 2000**

[54] **TWO NESTING TANKS**

[75] Inventor: **Steven W. Claussen**, Benson, Minn.

[73] Assignee: **C.A.P., Inc.**, Benson, Minn.

[**] Term: **14 Years**

[21] Appl. No.: **29/093,152**

[22] Filed: **Sep. 4, 1998**

[51] **LOC (7) Cl.** **23-01**

[52] **U.S. Cl.** **D23/202**

[58] **Field of Search** D23/200, 202,
D23/206; D12/95; 222/160; 220/562, 564,
DIG. 24

[56] **References Cited**

U.S. PATENT DOCUMENTS

D. 196,272	9/1963	Gran	D23/202
D. 251,674	4/1979	Sayward	D23/202
D. 293,704	1/1988	Hart et al.	D23/202
D. 320,836	10/1991	Ahrenholtz et al.	D23/202
D. 327,942	7/1992	Whitfield	D23/202
D. 333,177	2/1993	Poirier	D23/202
3,931,907	1/1976	Henle	220/562

Primary Examiner—Robin V. Taylor

Attorney, Agent, or Firm—William L. Huebsch

[57] **CLAIM**

The ornamental design for two nesting tanks, as shown and described.

DESCRIPTION

FIG. 1 is a top, left, front isometric view of a first embodiment of two nesting tanks, showing my new design;
FIG. 2 is a front elevational view thereof;
FIG. 3 is a rear elevational view thereof;
FIG. 4 is a left side elevational view thereof; the right side elevational view being a mirror image thereof;

FIG. 5 is a top view thereof, the bottom view thereof being free of ornamentation;

FIG. 6 is a top, left, front isometric view of a first one of the two nesting tanks shown in FIG. 1;

FIG. 7 is a top, left, rear isometric view of a second one of the two nesting tanks shown in FIG. 1;

FIG. 8 is a top, left, front isometric view of a second embodiment of two nesting tanks, showing my new design;

FIG. 9 is a front elevational view of the embodiment shown in FIG. 8;

FIG. 10 is a rear elevational view of the embodiment shown in FIG. 8;

FIG. 11 is a left side elevational view of the embodiment shown in FIG. 8; the right side elevational view being a mirror image thereof;

FIG. 12 is a top view of the embodiment shown in FIG. 8; the bottom view thereof being free of ornamentation;

FIG. 13 is a top, left, front isometric view of a first one of the two nesting tanks shown in FIG. 8;

FIG. 14 is a top, left, rear isometric view of a second one of the two nesting tanks shown in FIG. 8;

FIG. 15 is a top, left, front isometric view of a third embodiment of two nesting tanks, showing my new design;

FIG. 16 is a front elevational view of the embodiment shown in FIG. 15;

FIG. 17 is a rear elevational view of the embodiment shown in FIG. 15;

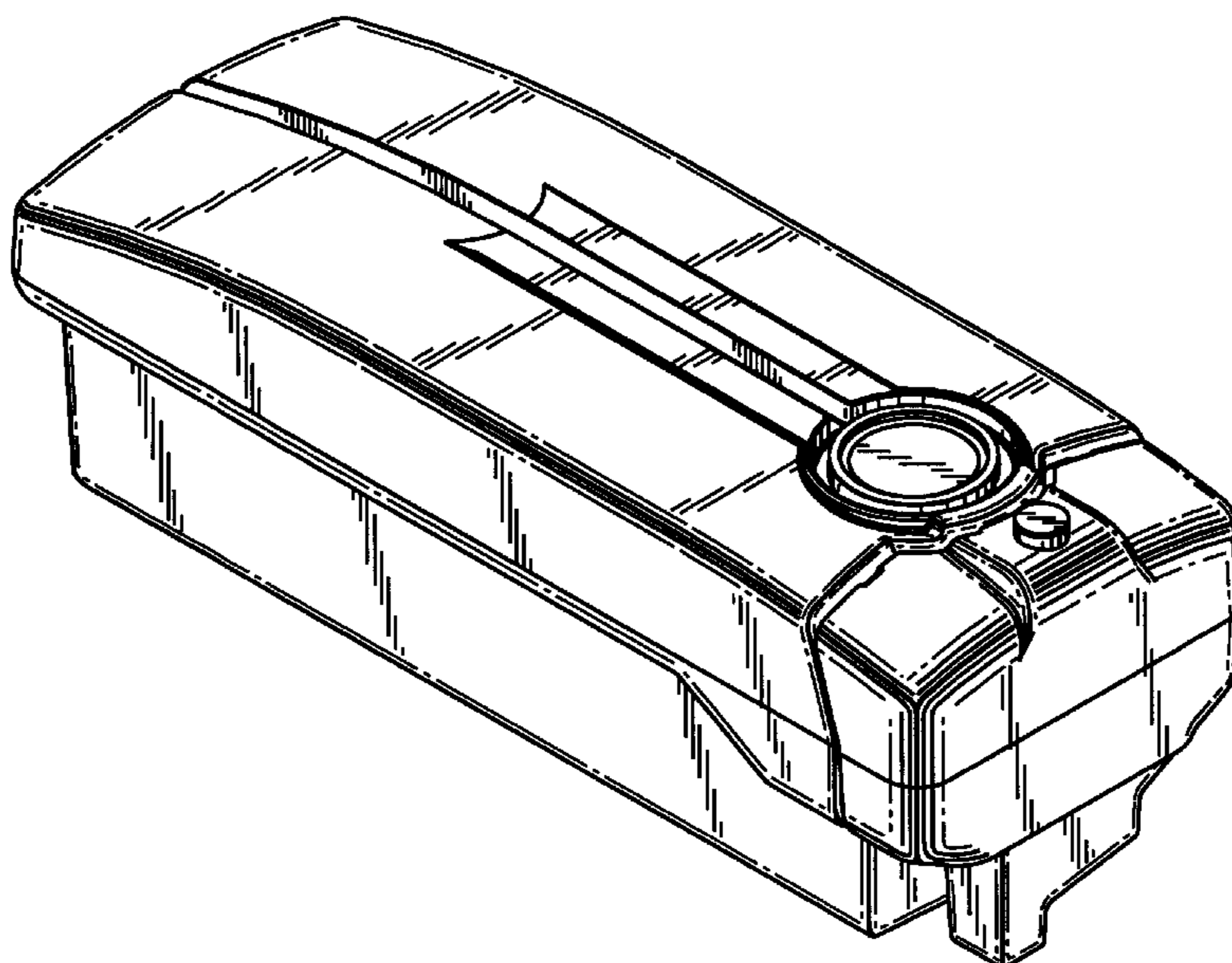
FIG. 18 is a left side elevational view of the embodiment shown in FIG. 15; the right side elevational view being a mirror image thereof;

FIG. 19 is a top view of the embodiment shown in FIG. 15; the bottom view thereof being free of ornamentation;

FIG. 20 is a top, left, front isometric view of a first one of the two nesting tanks shown in FIG. 15; and,

FIG. 21 is a top, left, rear isometric view of a second one of the two nesting tanks shown in FIG. 15.

1 Claim, 6 Drawing Sheets



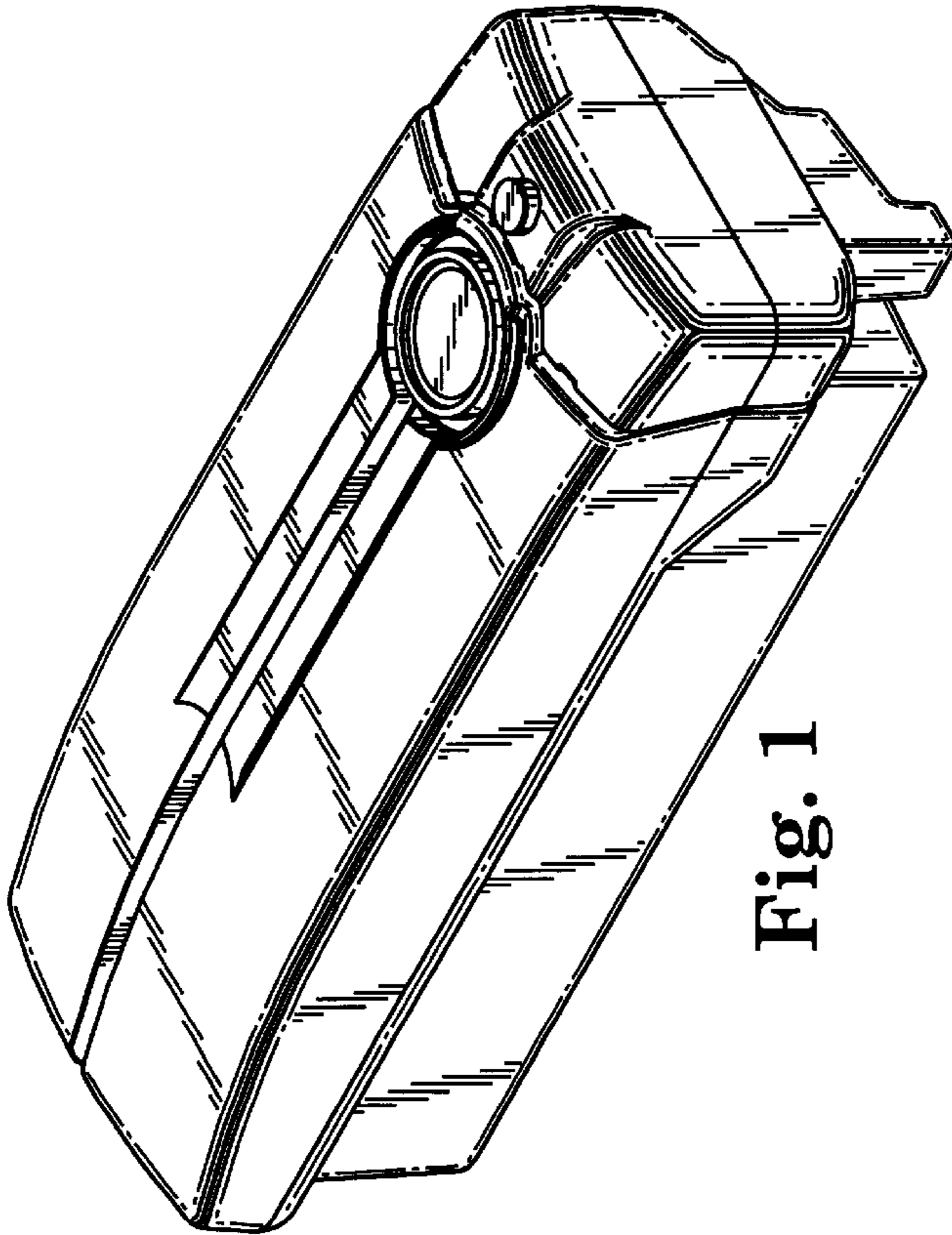


Fig. 1

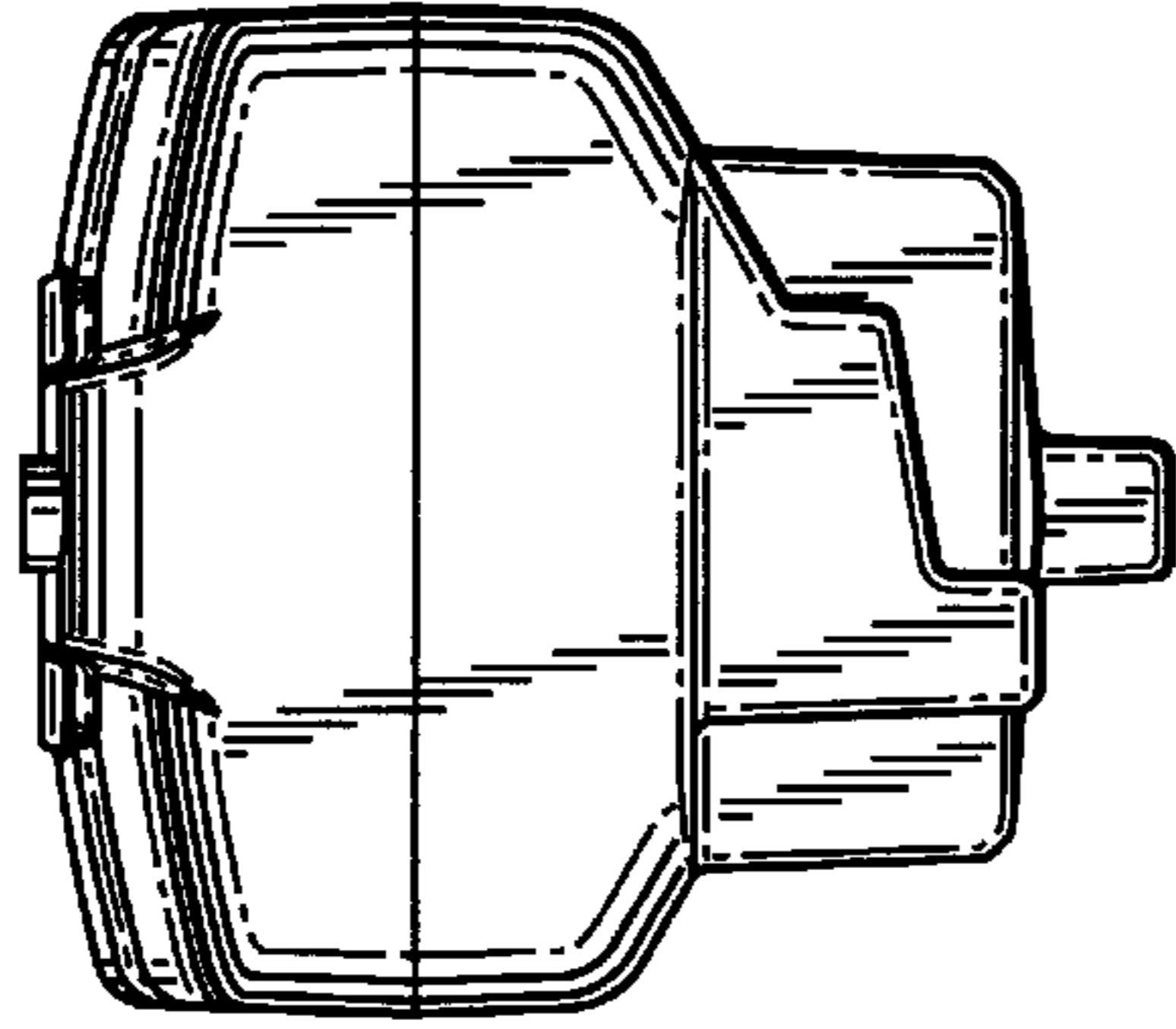


Fig. 2

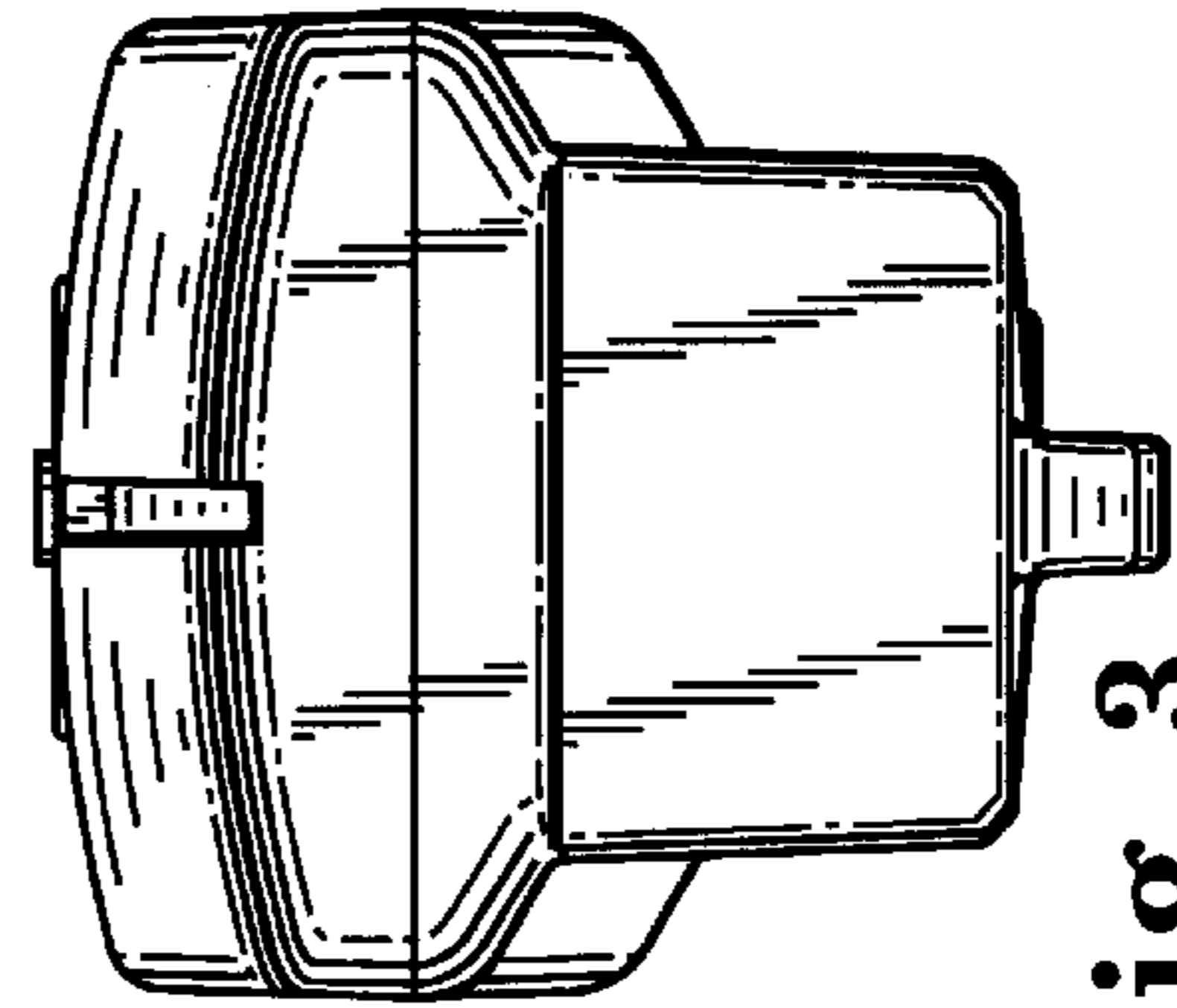


Fig. 3

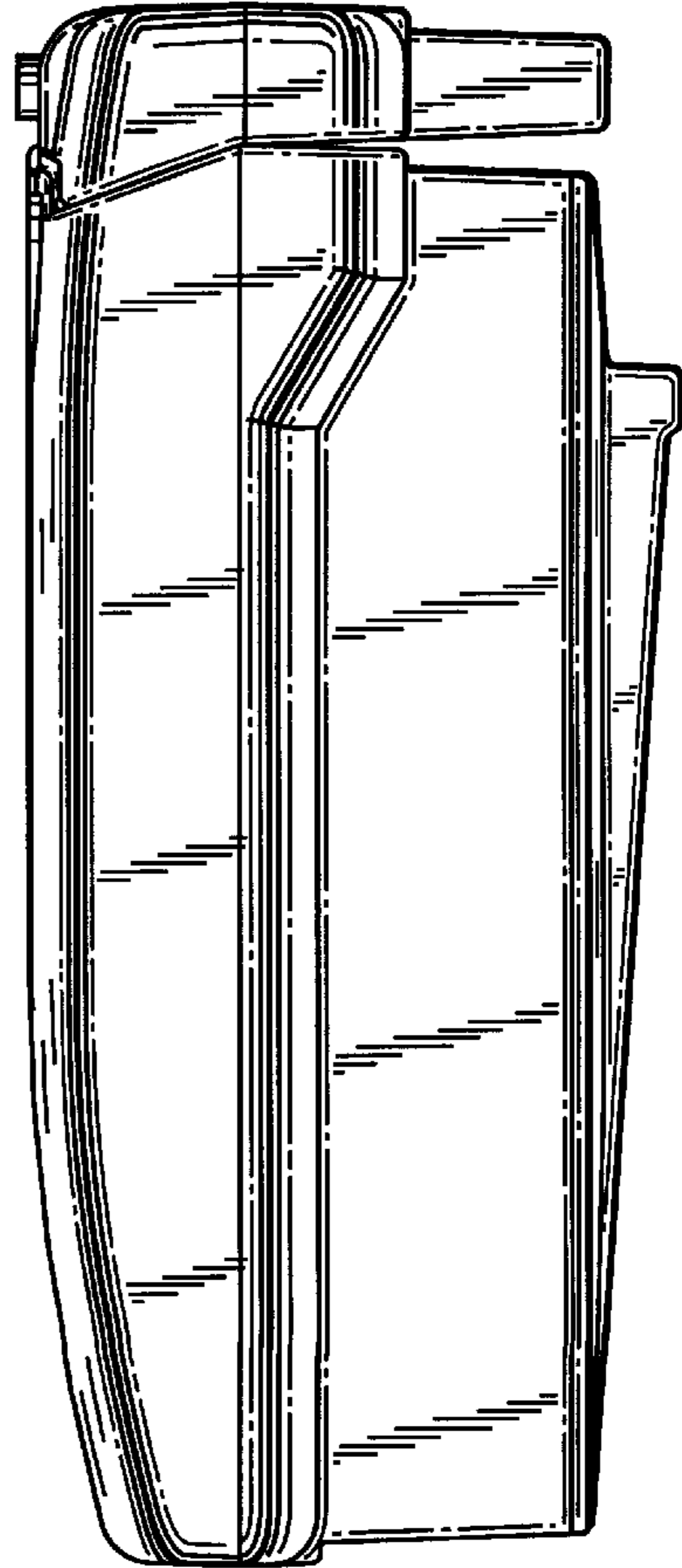


Fig. 4

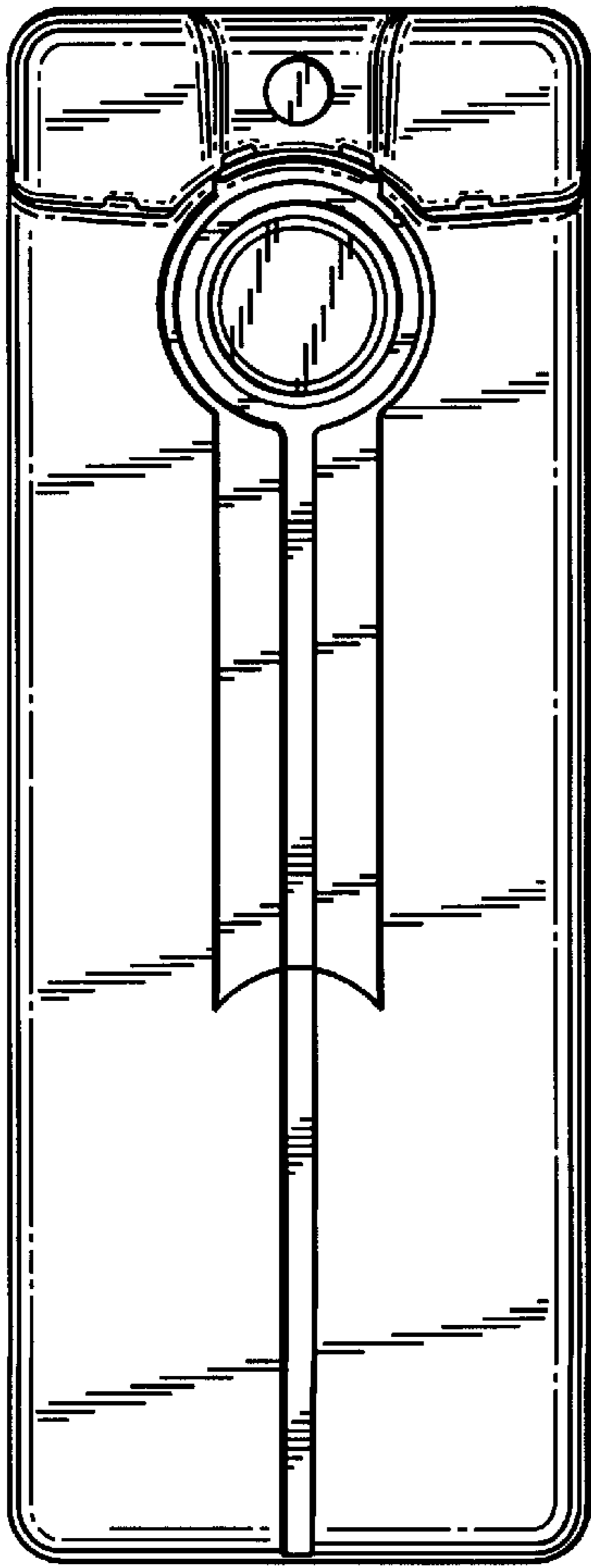


Fig. 5

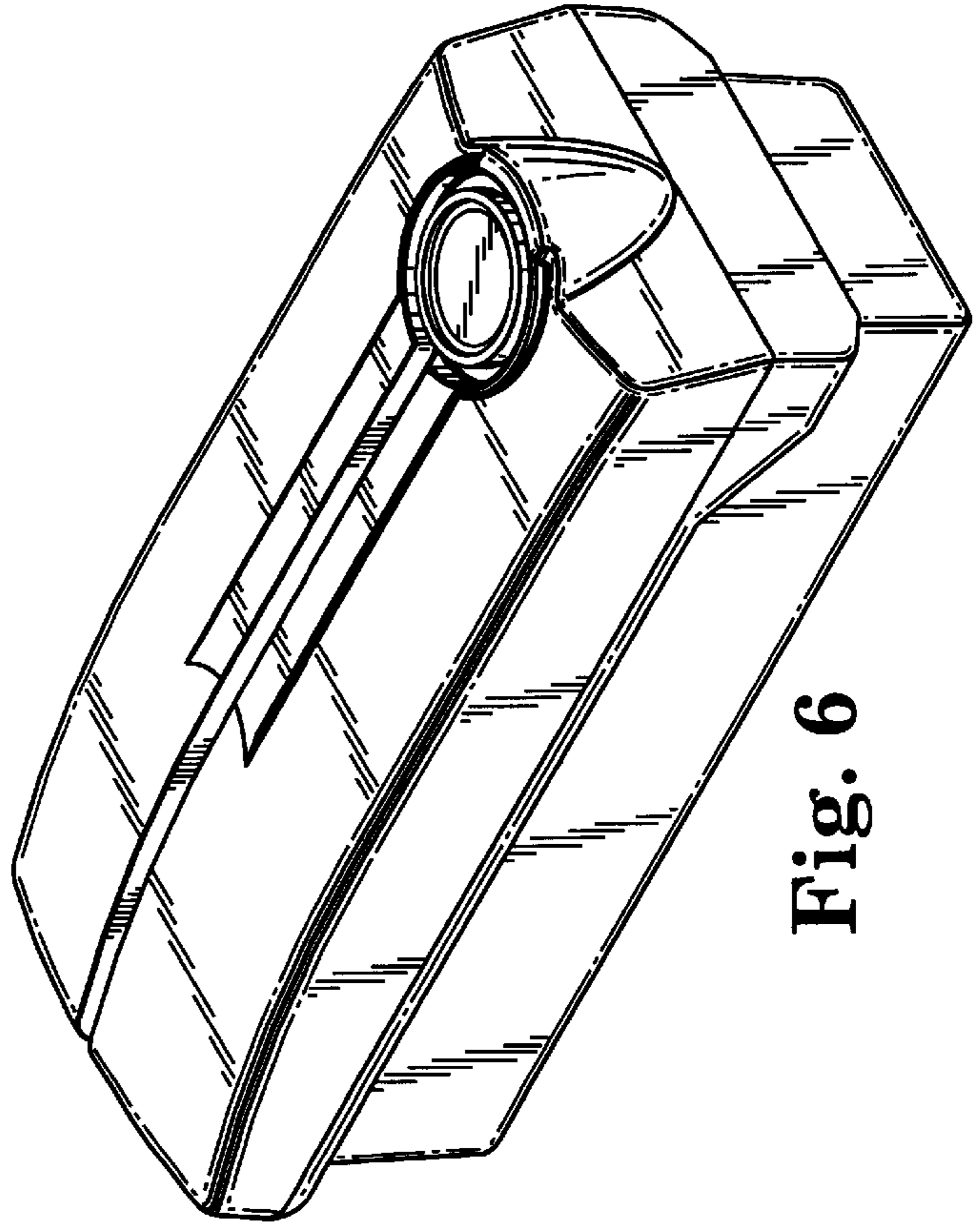


Fig. 6

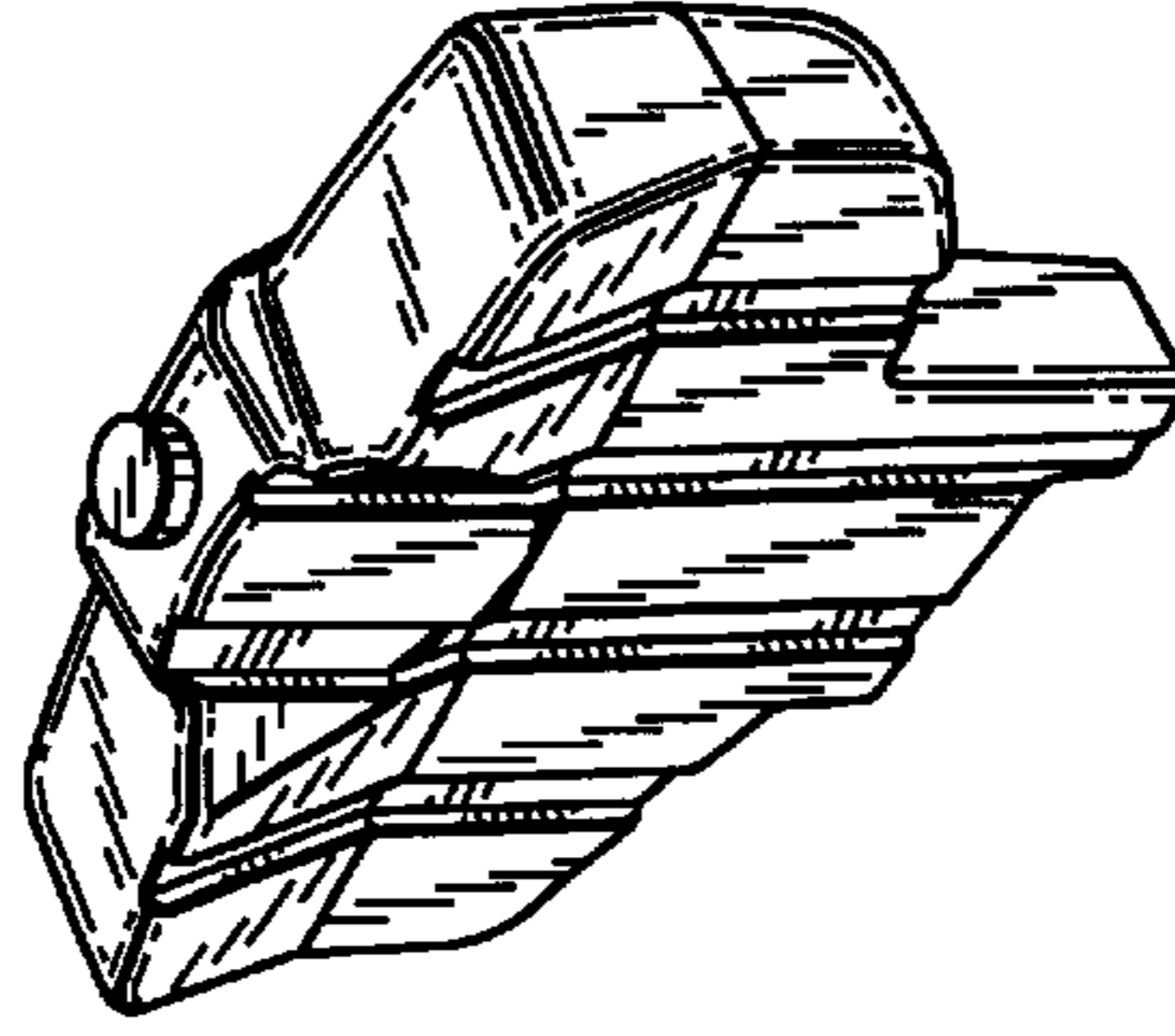


Fig. 7

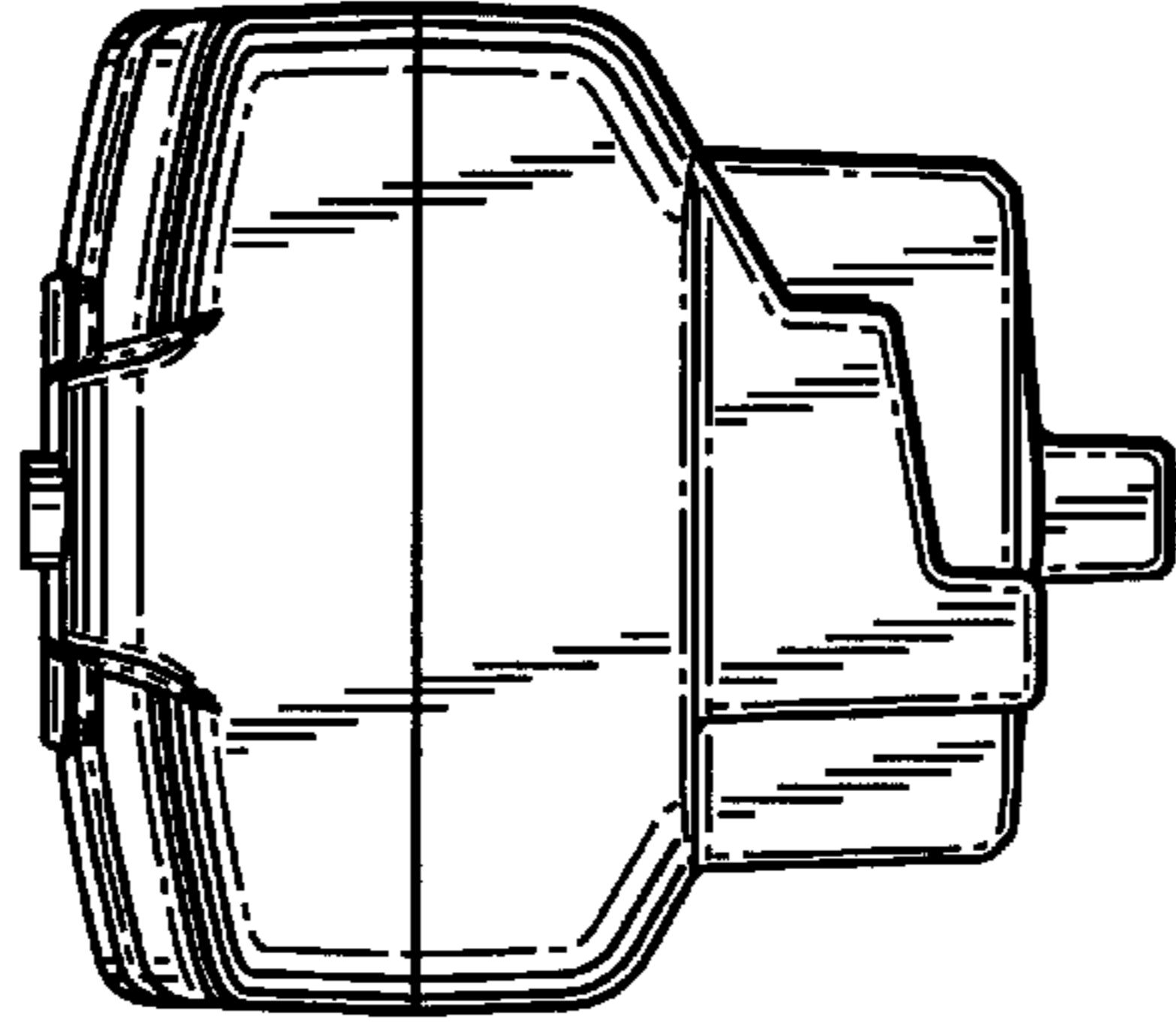


Fig. 9

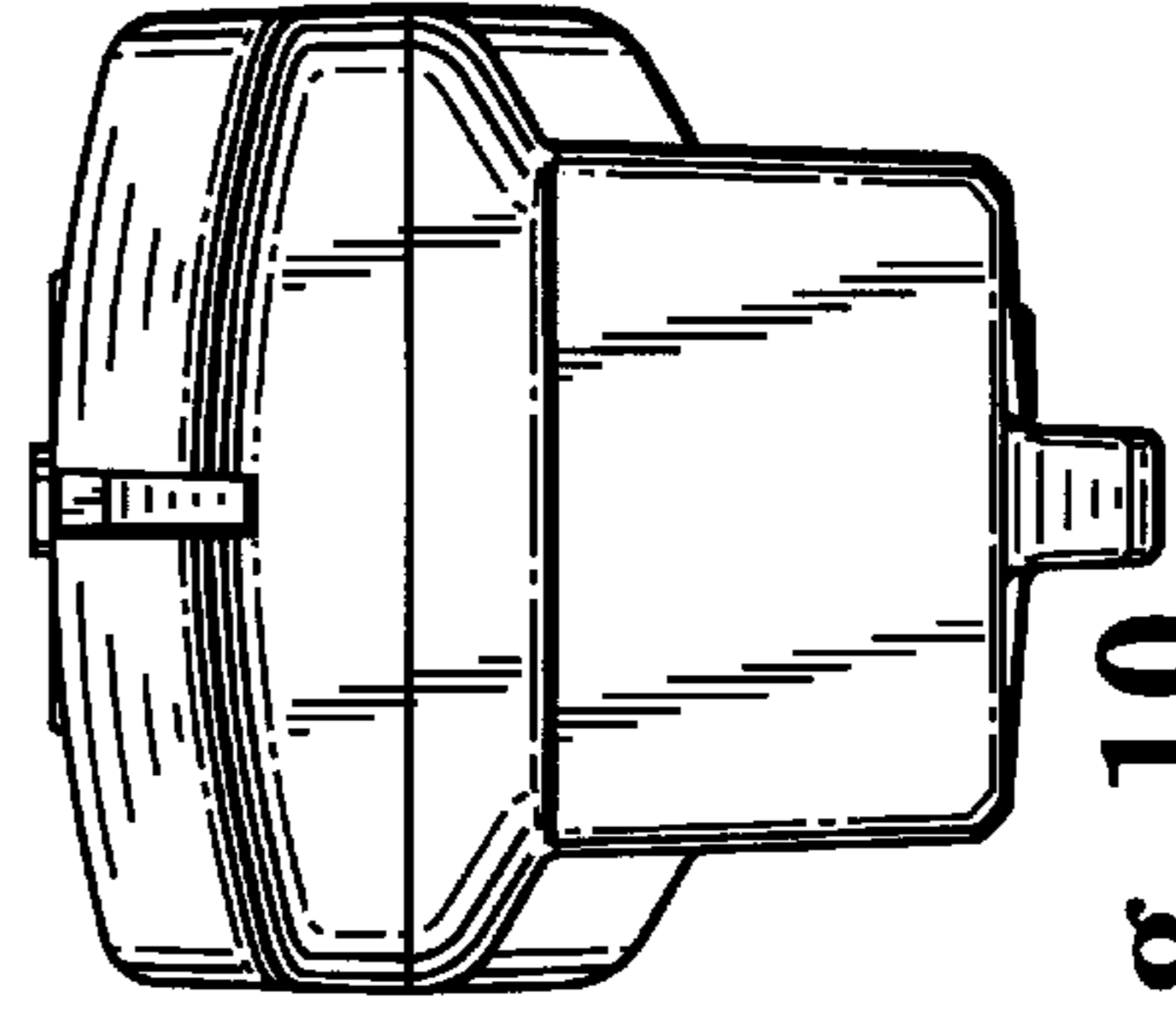


Fig. 10

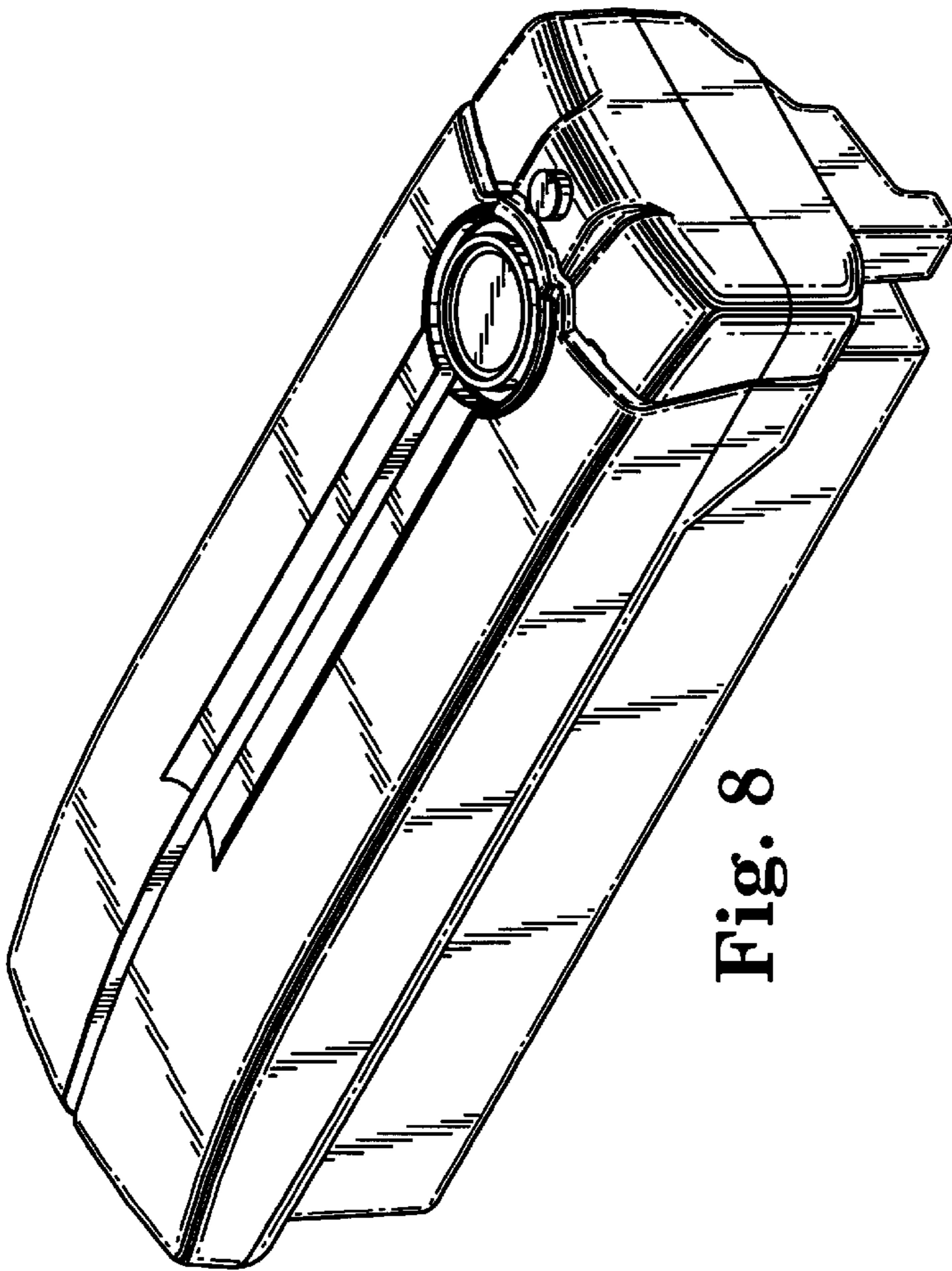


Fig. 8

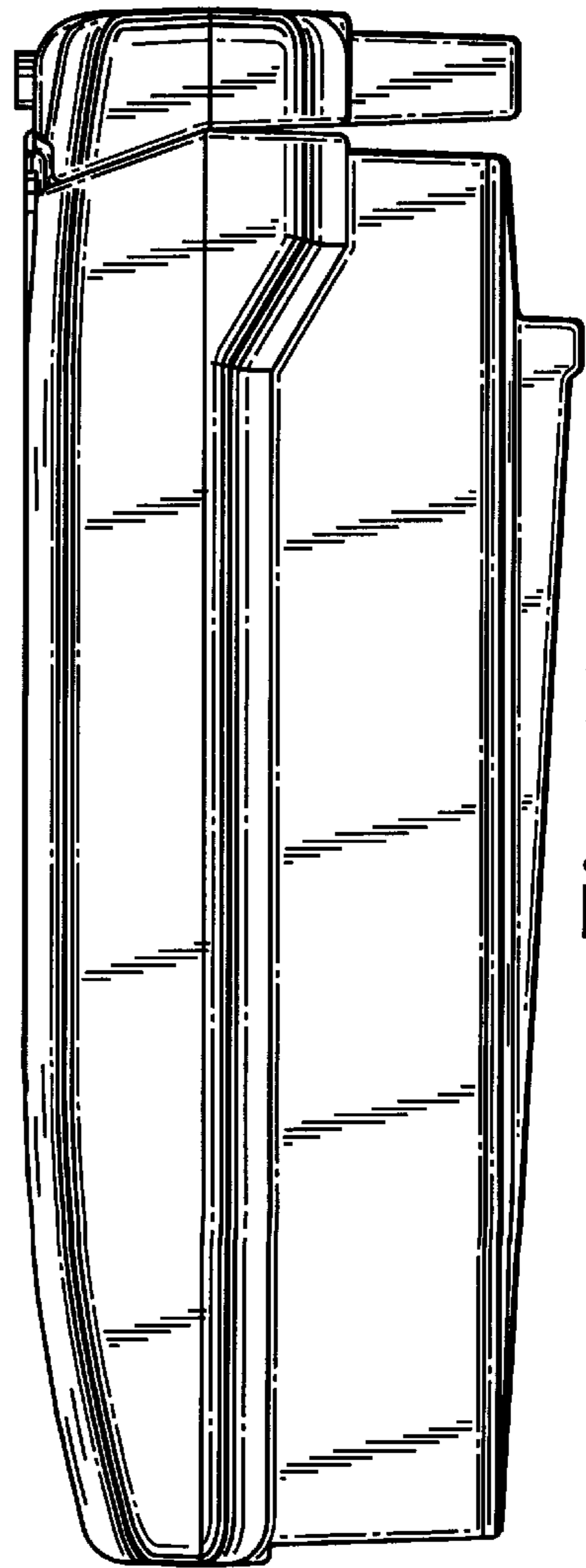


Fig. 11

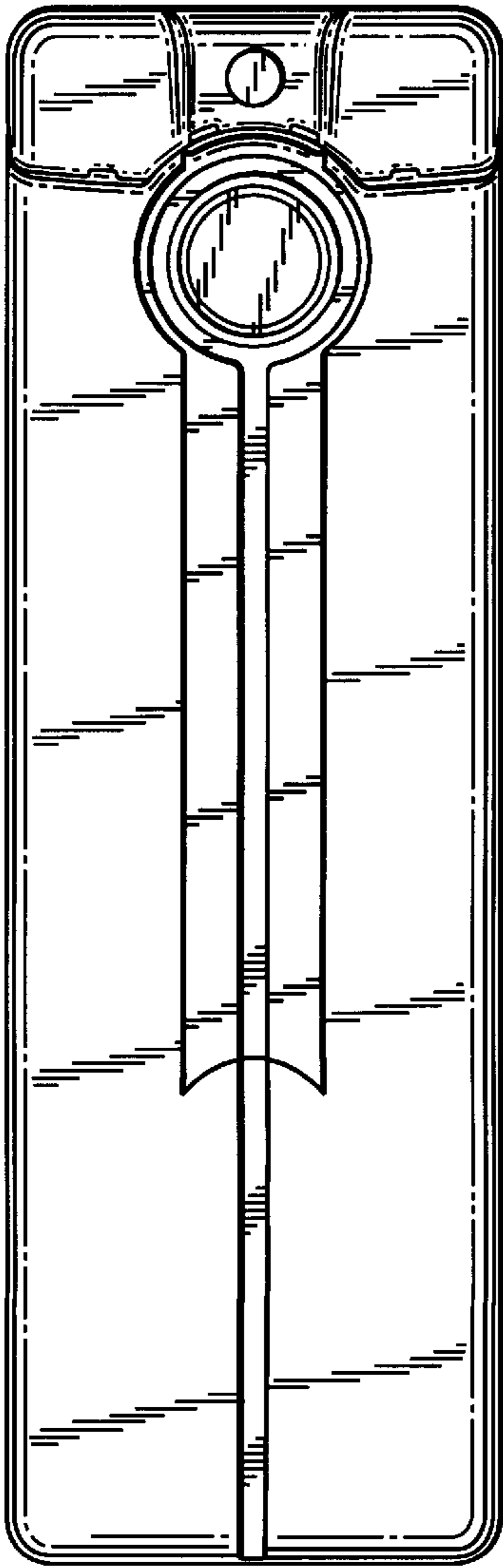


Fig. 12

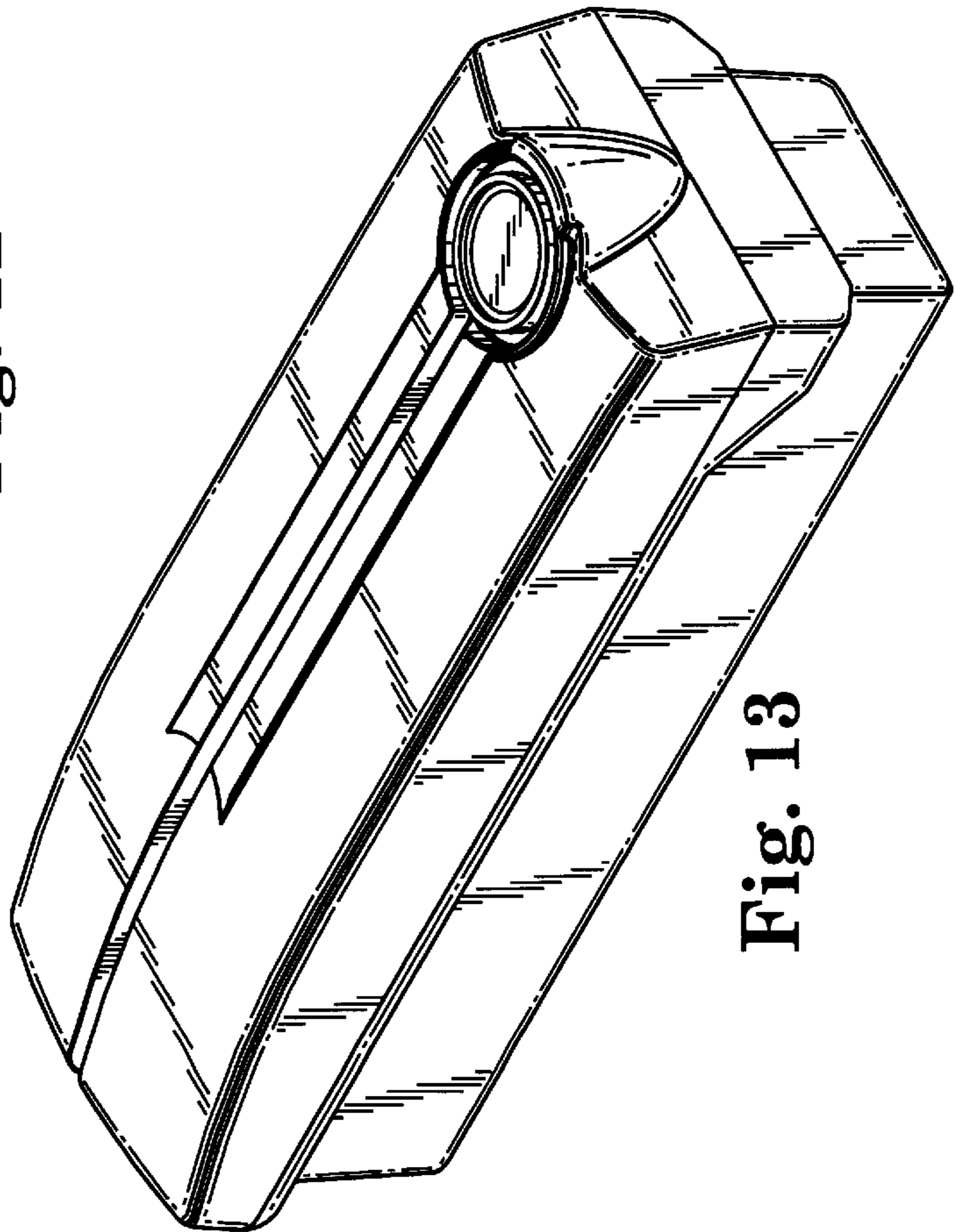


Fig. 13

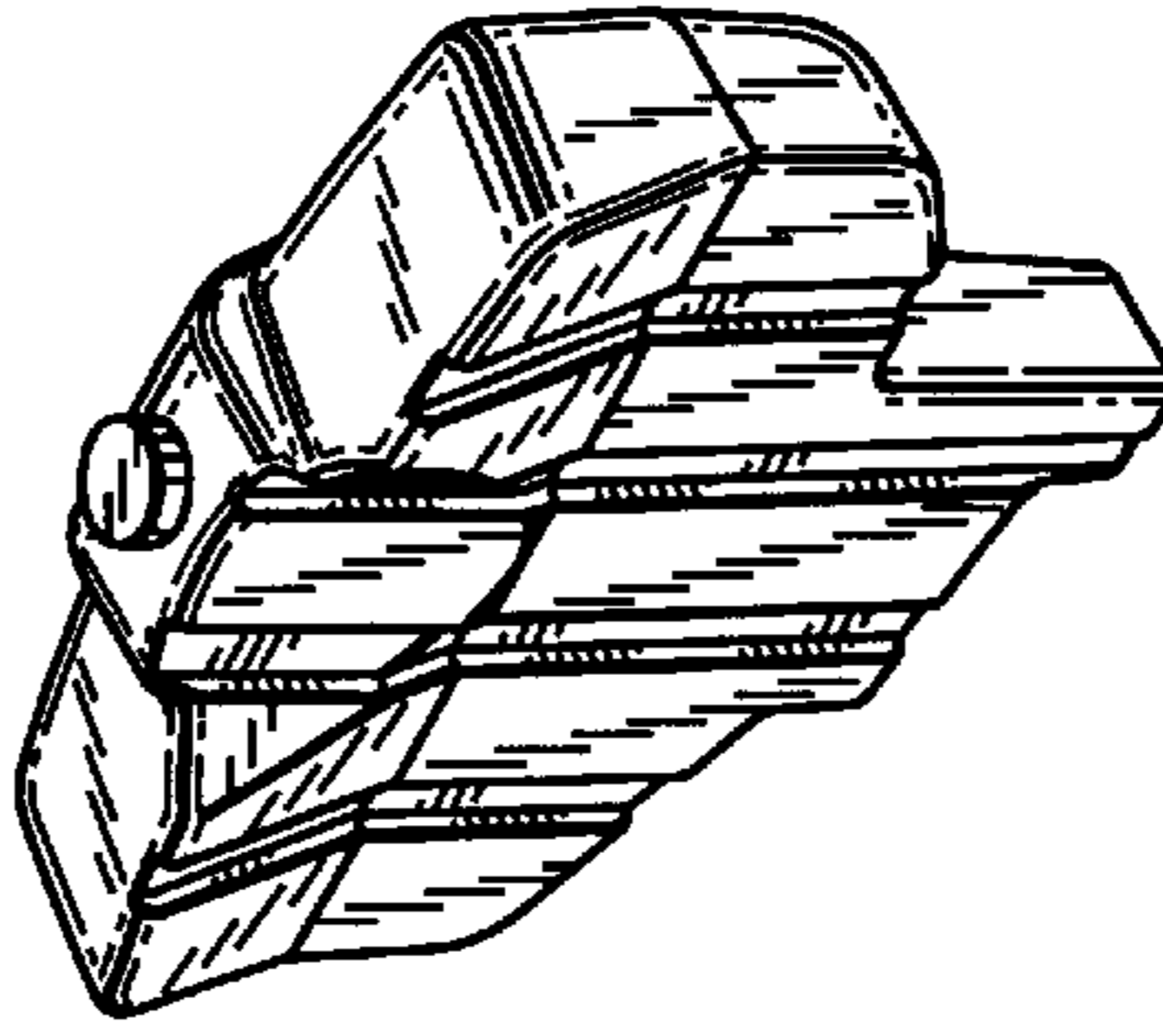


Fig. 14

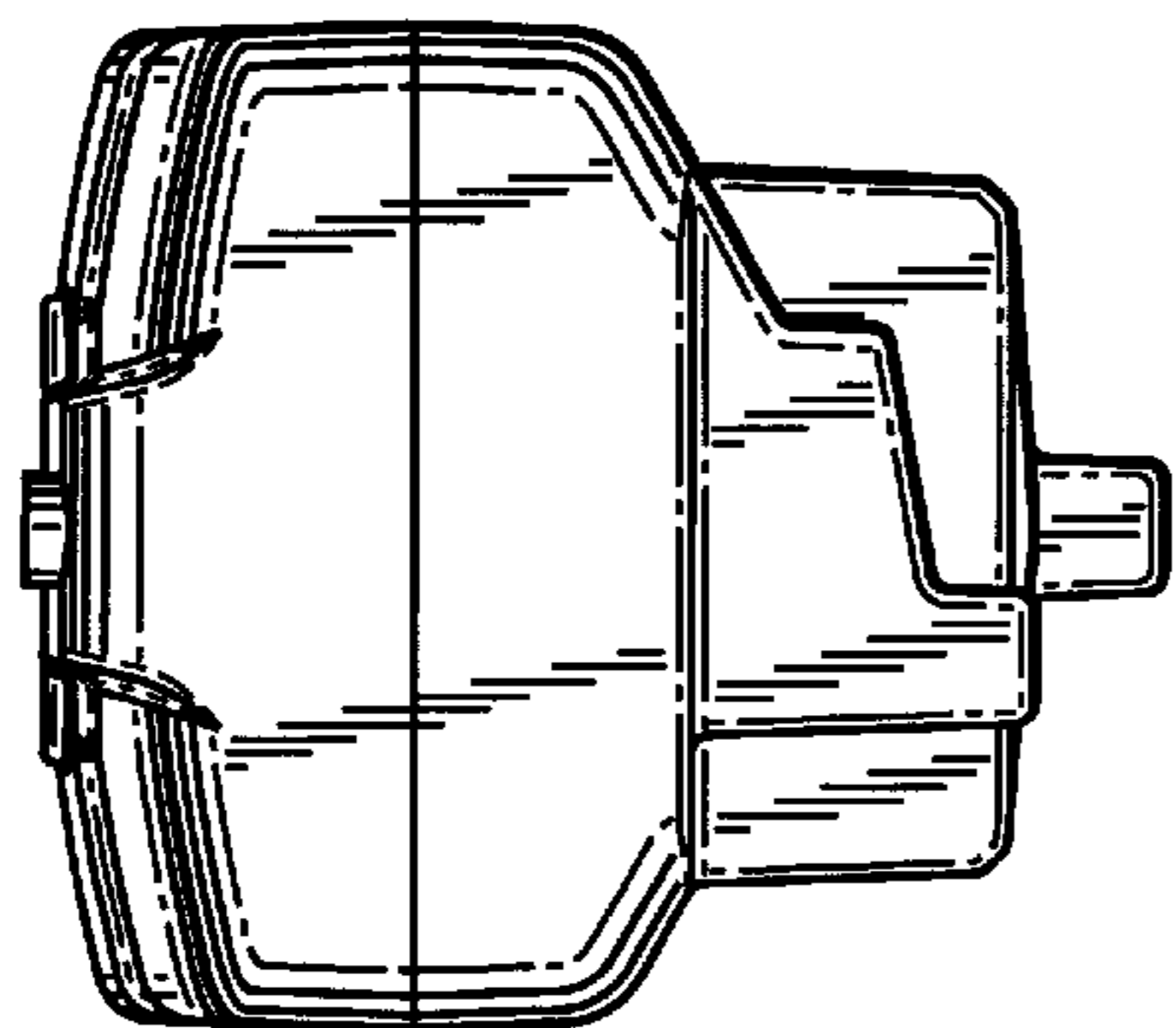


Fig. 16

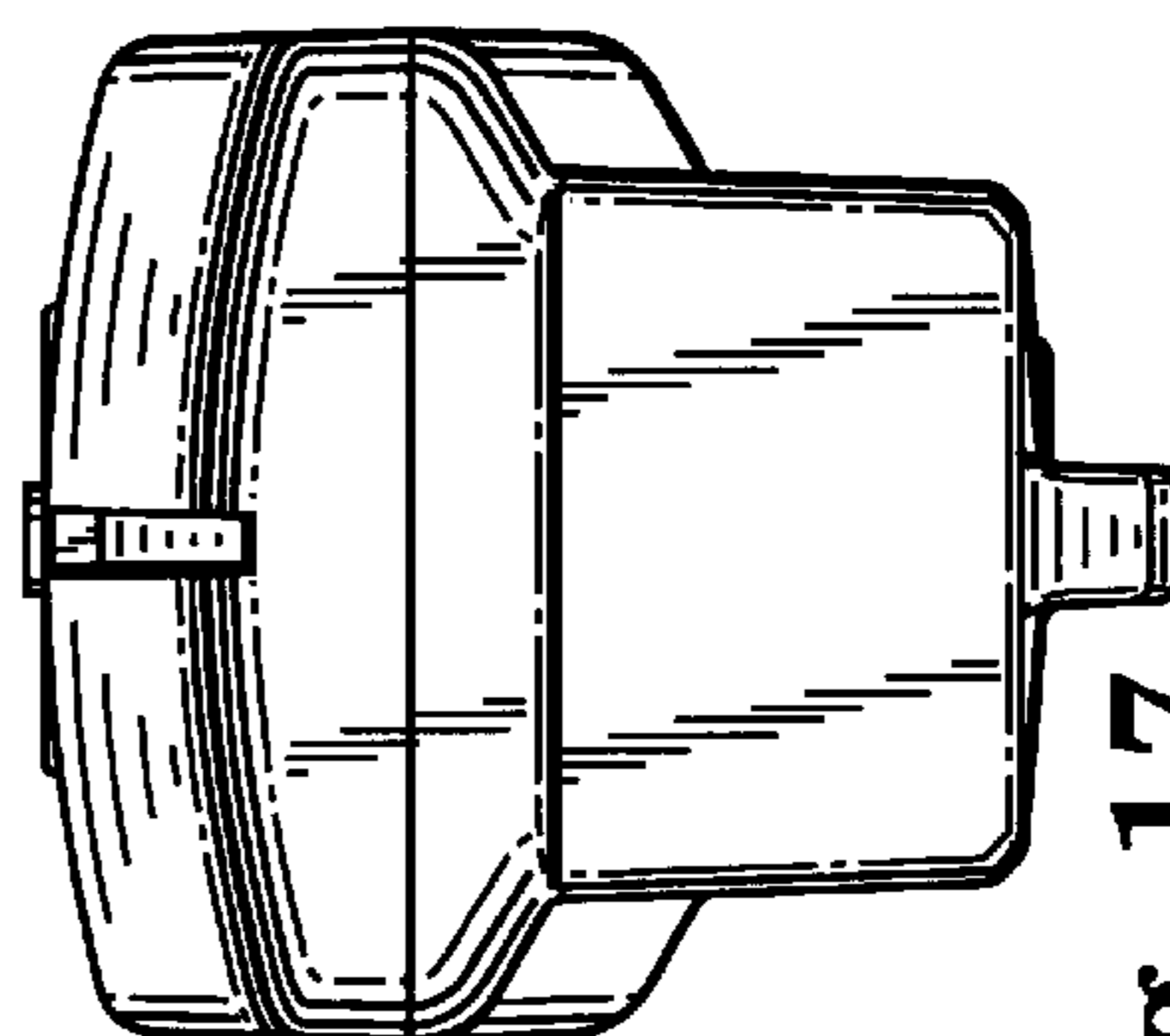


Fig. 17

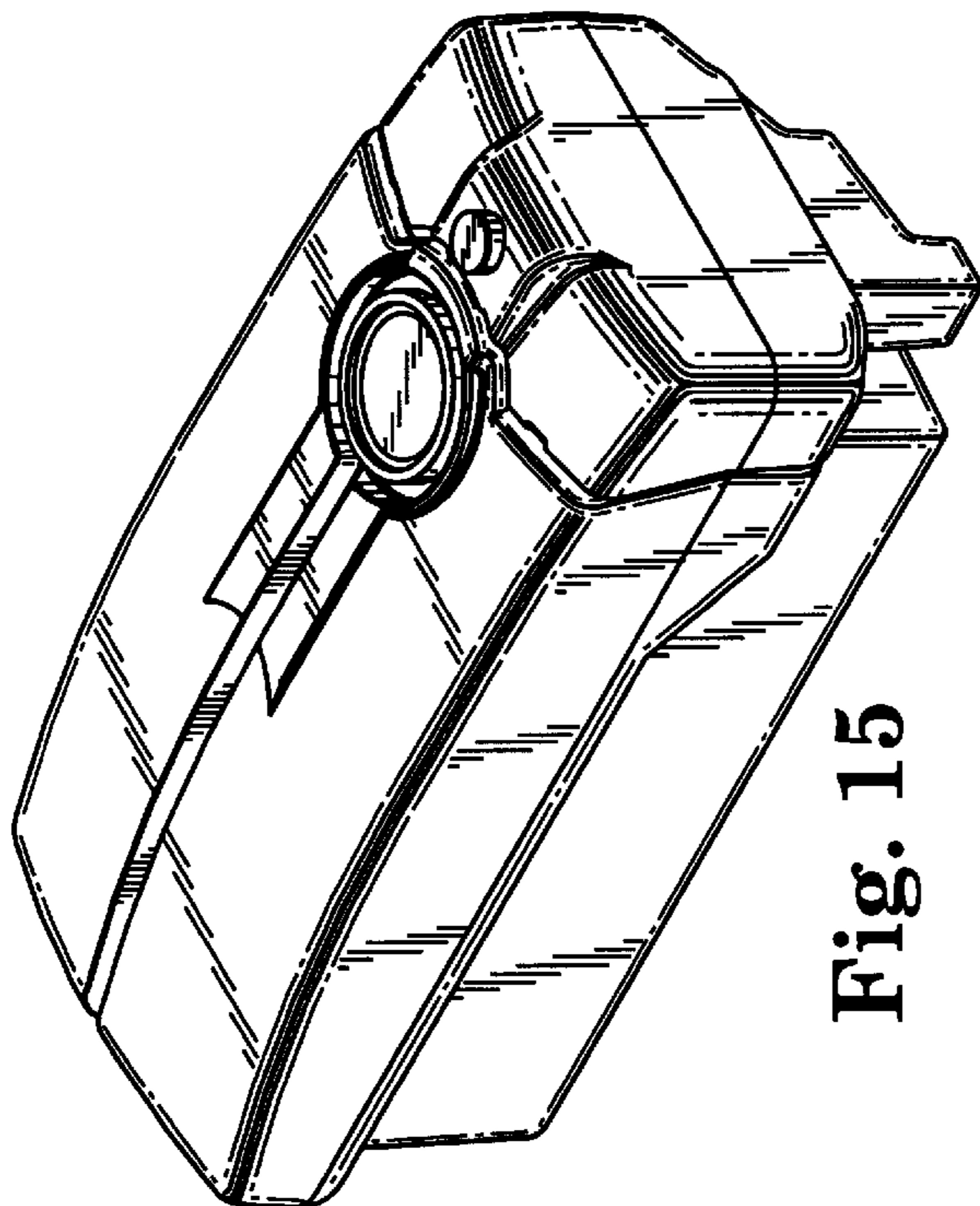


Fig. 15

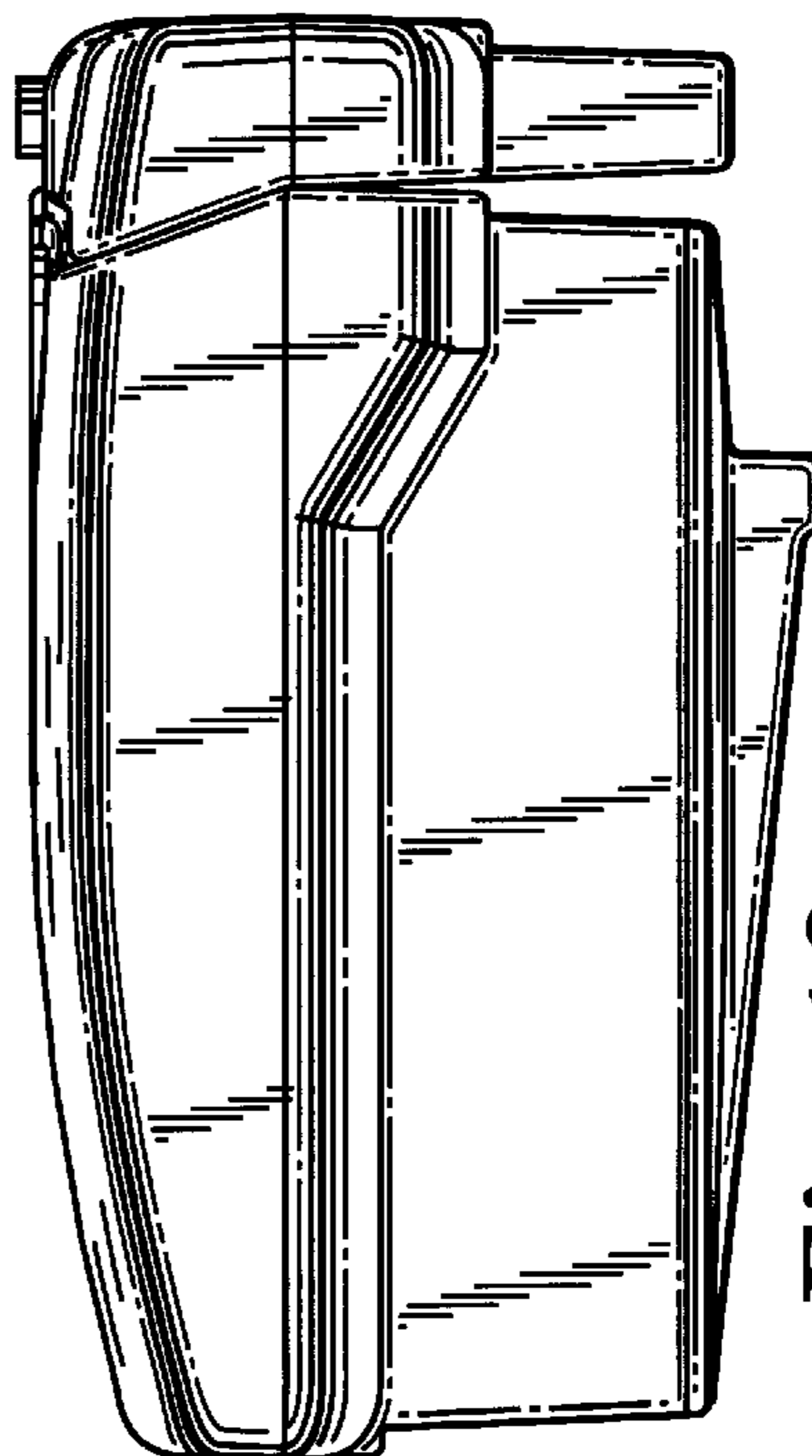


Fig. 18

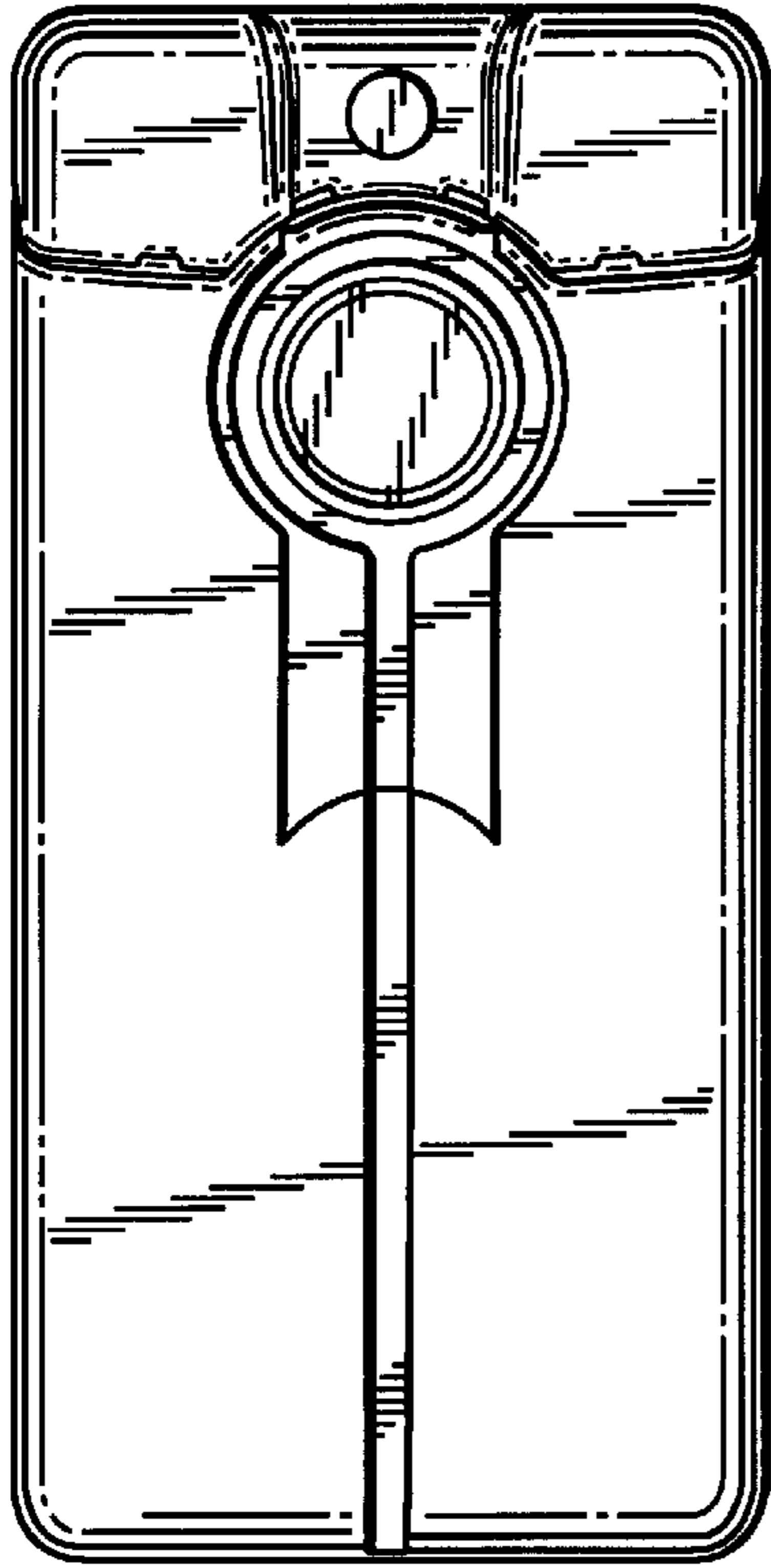


Fig. 19

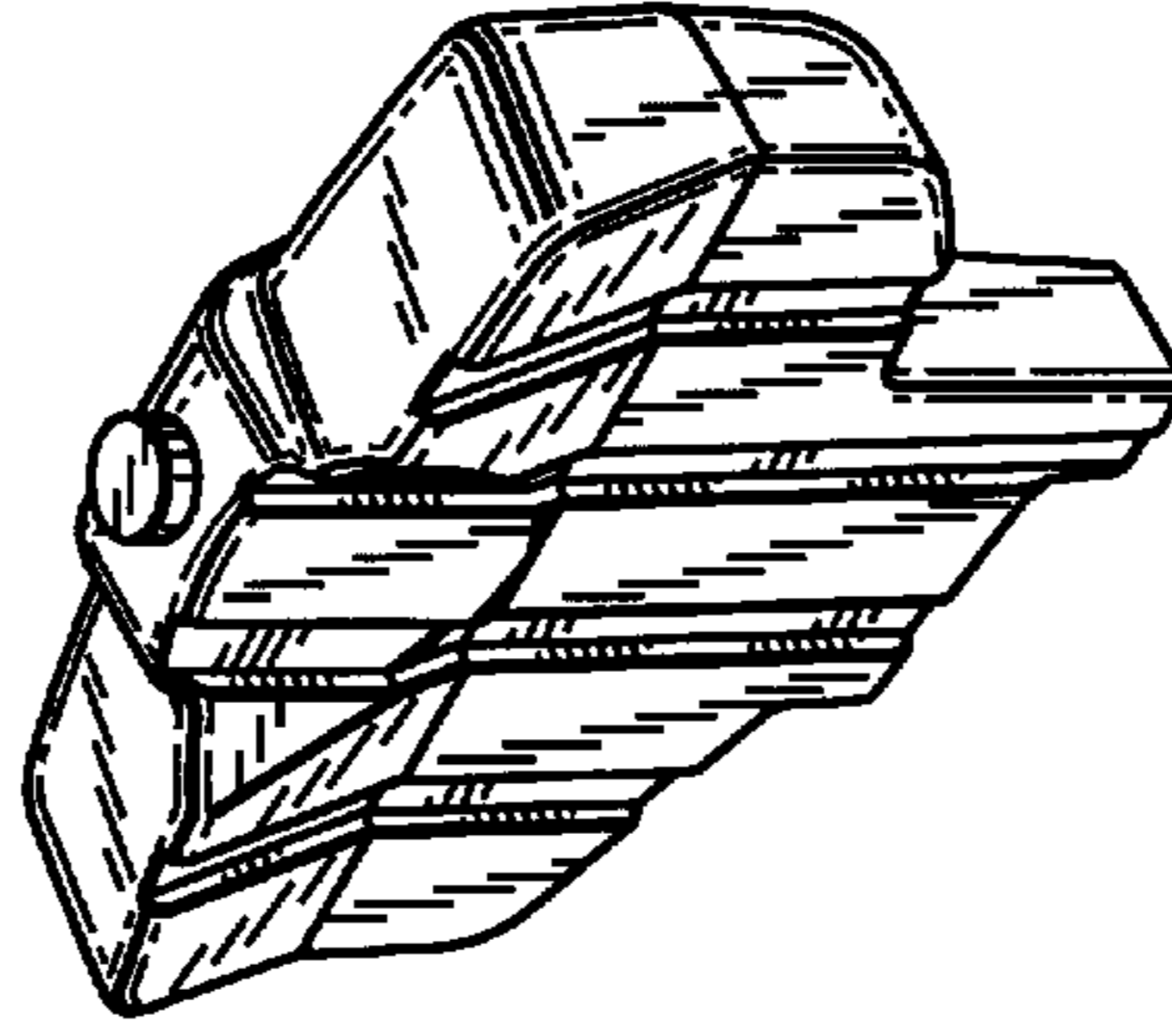


Fig. 21

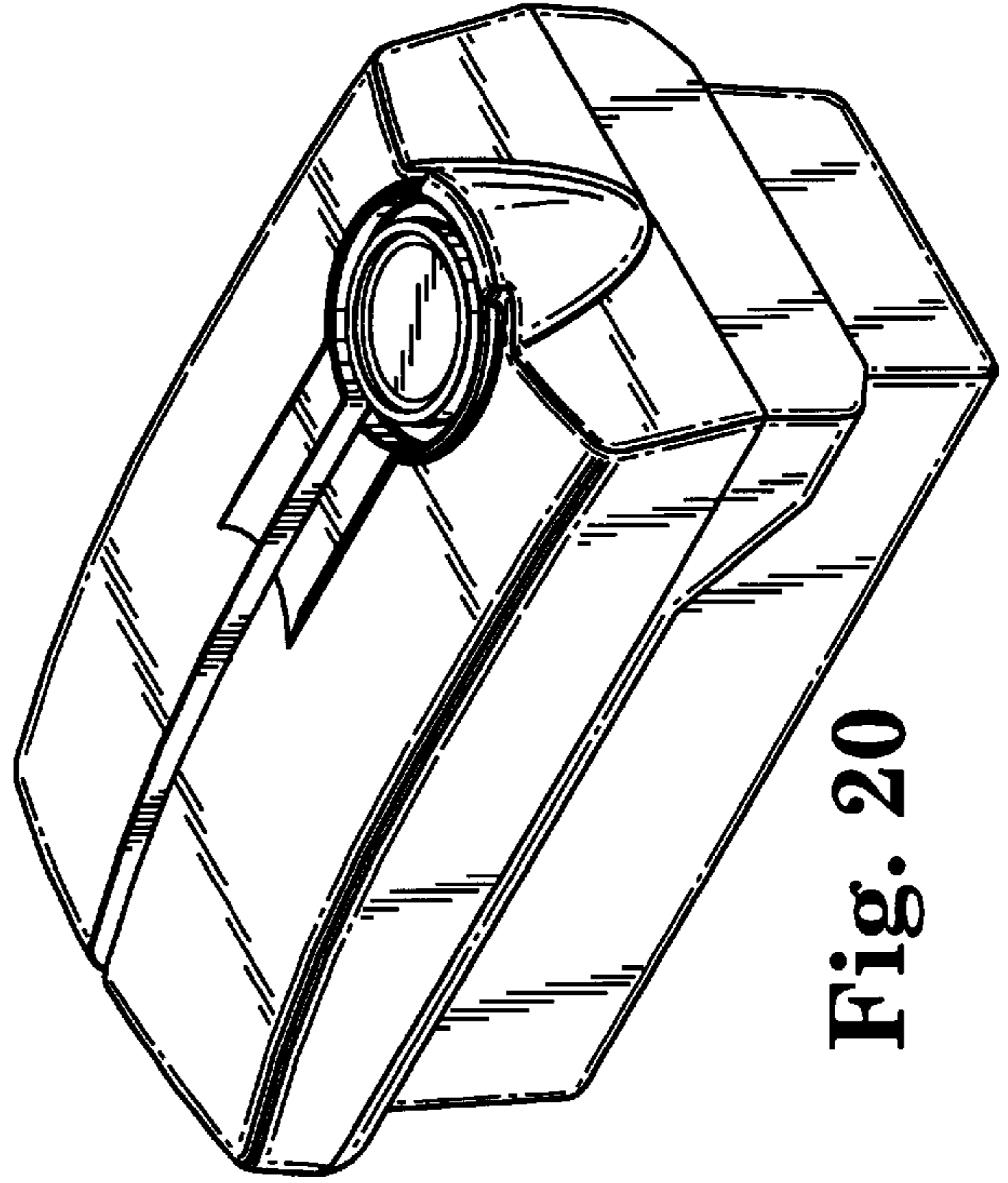


Fig. 20