



US00D430918S

# United States Patent [19]

Bae et al.

[11] Patent Number: Des. 430,918

[45] Date of Patent: \*\* Sep. 12, 2000

[54] POSITION SENSING LIGHT DEVICE FOR A FISHING ROD

D. 316,302	4/1991	Douthitt	.....	D22/134
D. 390,309	2/1998	Bray	.....	D22/148
3,882,629	5/1975	Kaye	.....	43/25

[76] Inventors: Tae H. Bae; Sang Y. Bae; Sang I. Bae, all of 6898 Old Annapolis Rd., Linthicum, Md. 21090

Primary Examiner—Louis S. Zarfes  
Assistant Examiner—Inga-Maria Hyttinen  
Attorney, Agent, or Firm—Birch, Stewart, Kolasch & Birch, LLP

[\*\*] Term: 14 Years

[21] Appl. No.: 29/098,532

### [57] CLAIM

[22] Filed: Dec. 30, 1998

The ornamental design for a position sensing light device for a fishing rod, as shown.

[51] LOC (7) Cl. .... 22-05

### DESCRIPTION

[52] U.S. Cl. .... D22/139; D22/134

[58] Field of Search ..... D22/143, 138, D22/139, 142, 134, 148; 43/24, 25; D10/109, 111, 114; 116/202

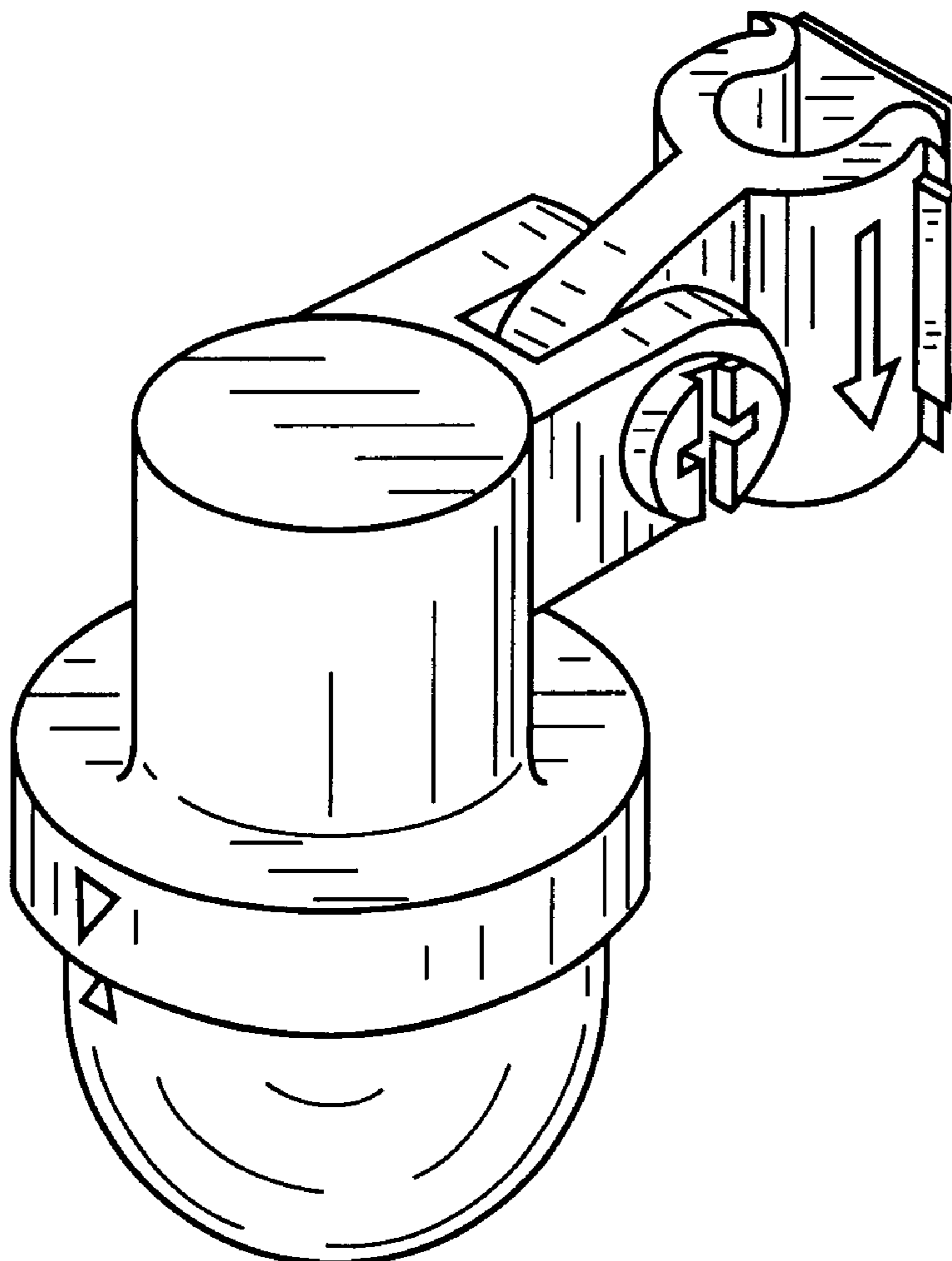
FIG. 1 is a perspective view of the position sensing light device for a fishing rod embodying our novel design; FIG. 2 is a front elevational view thereof; FIG. 3 is a rear elevational view thereof; FIG. 4 is a top plan view thereof; FIG. 5 is a bottom plan view thereof; FIG. 6 is a left side elevational view thereof; and, FIG. 7 is a right side elevational view thereof.

### [56] References Cited

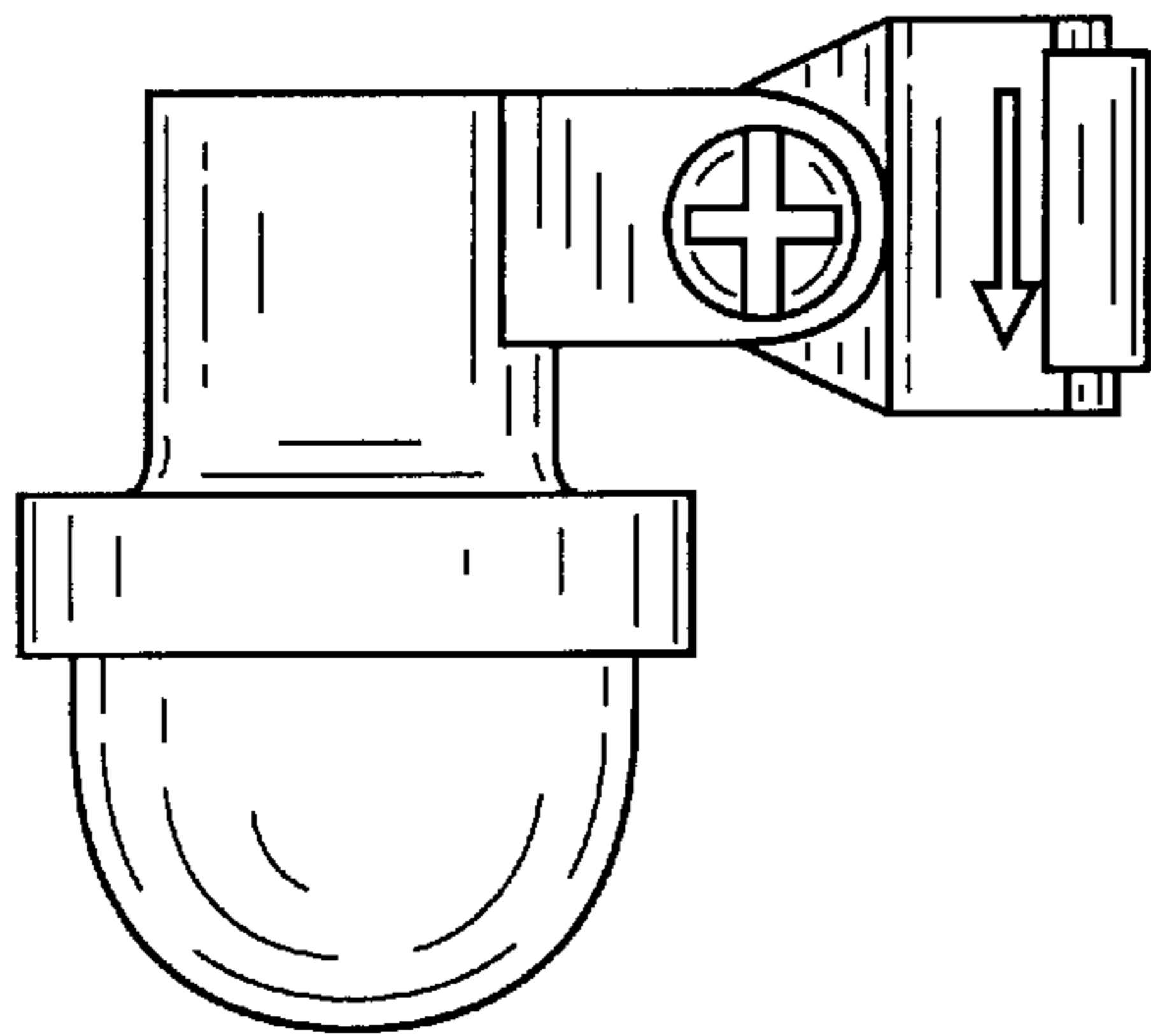
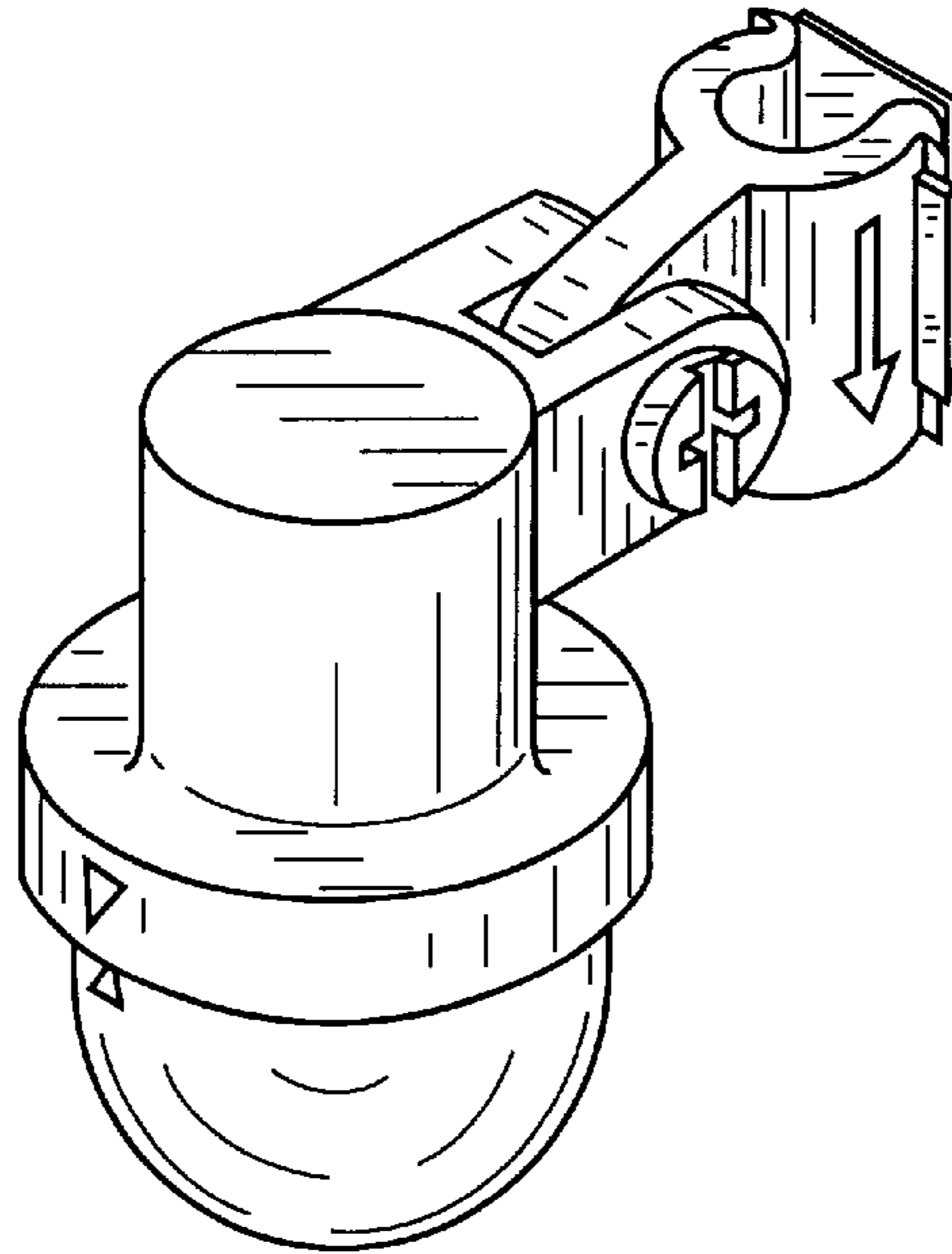
#### U.S. PATENT DOCUMENTS

D. 191,336	9/1961	Griparis	.....	D10/111
D. 255,883	7/1980	Ferenc	.....	D10/114
D. 305,351	1/1990	Mills	.....	D22/148

1 Claim, 2 Drawing Sheets

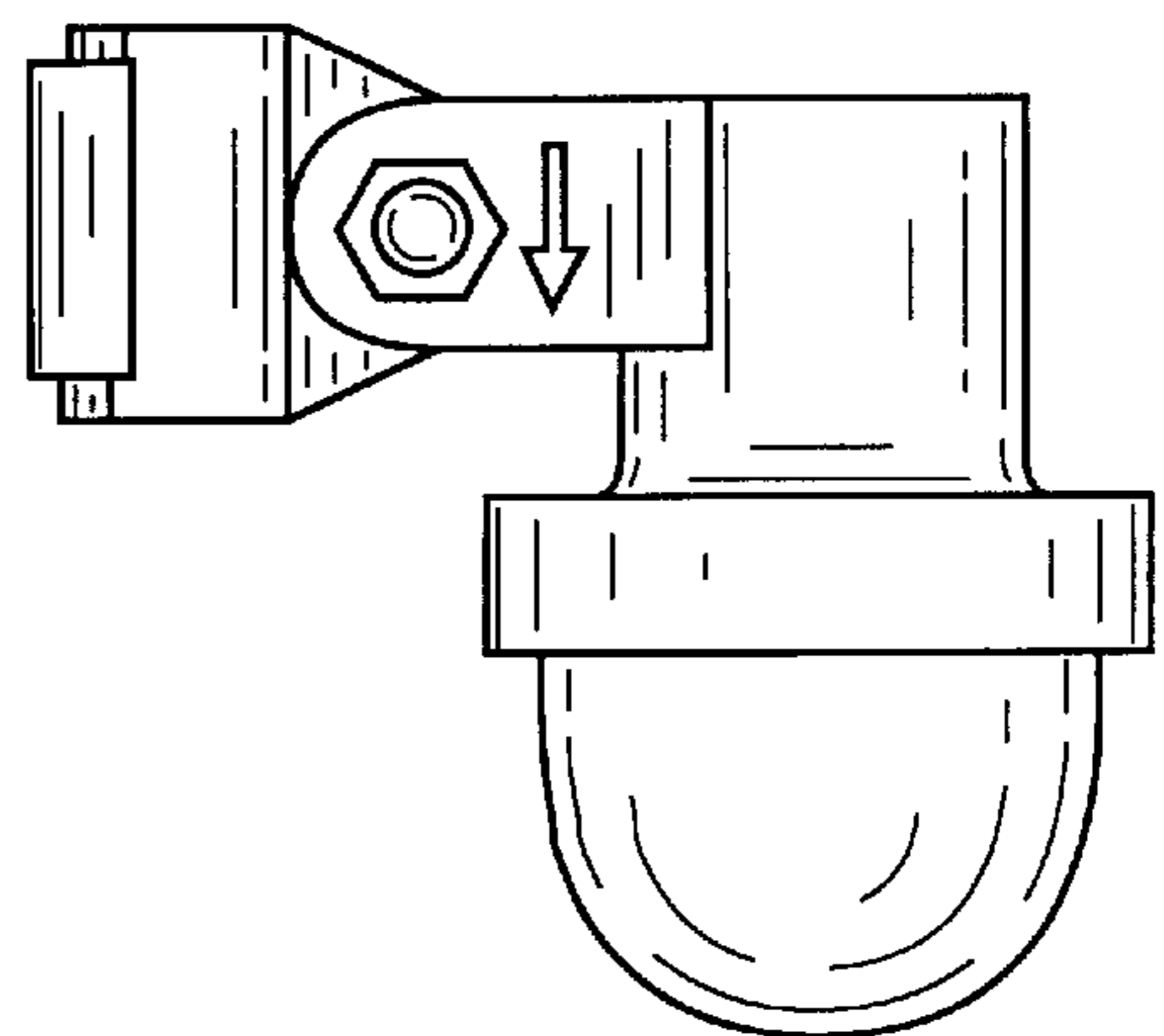


**FIG. 1**

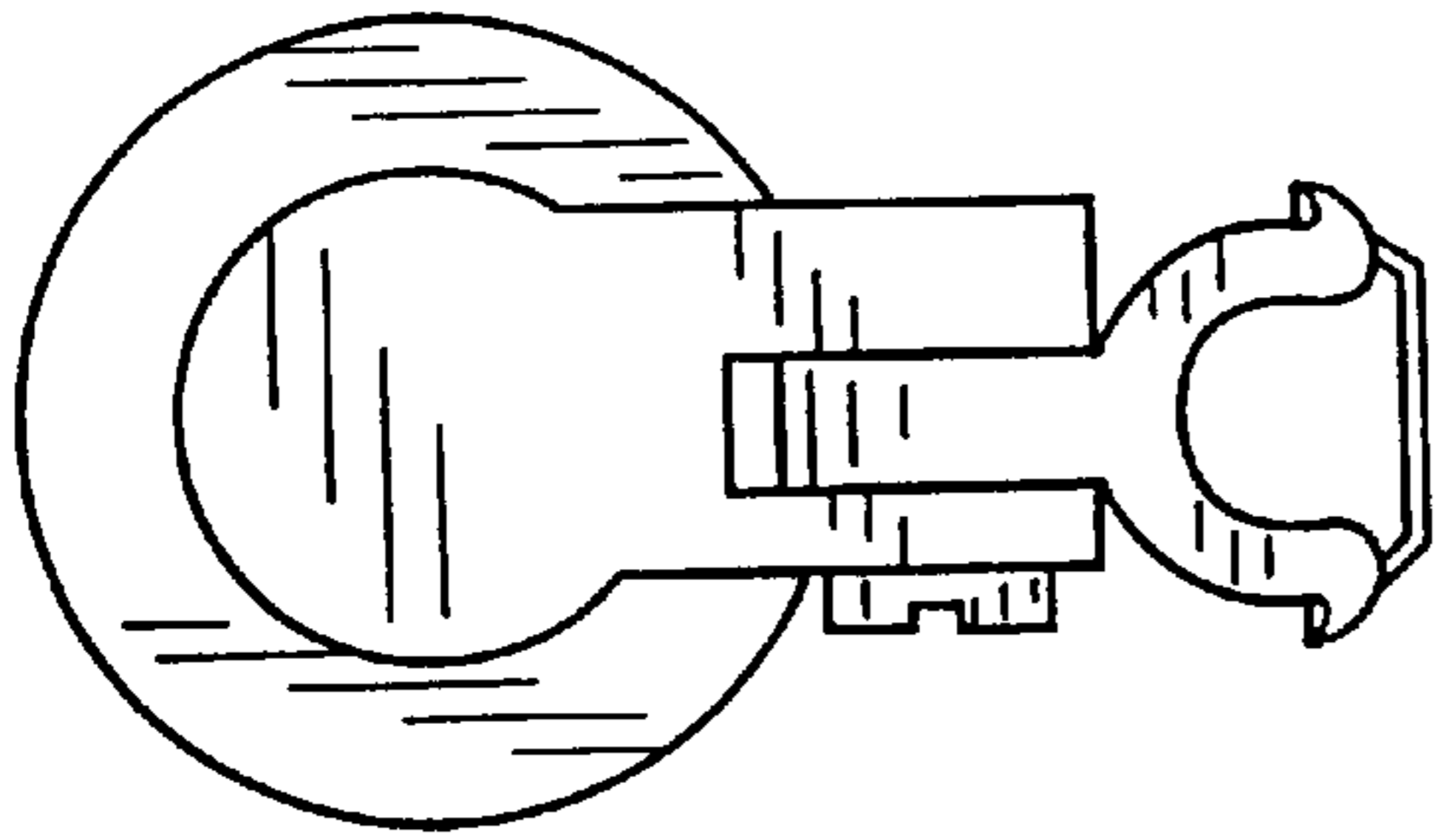


**FIG. 2**

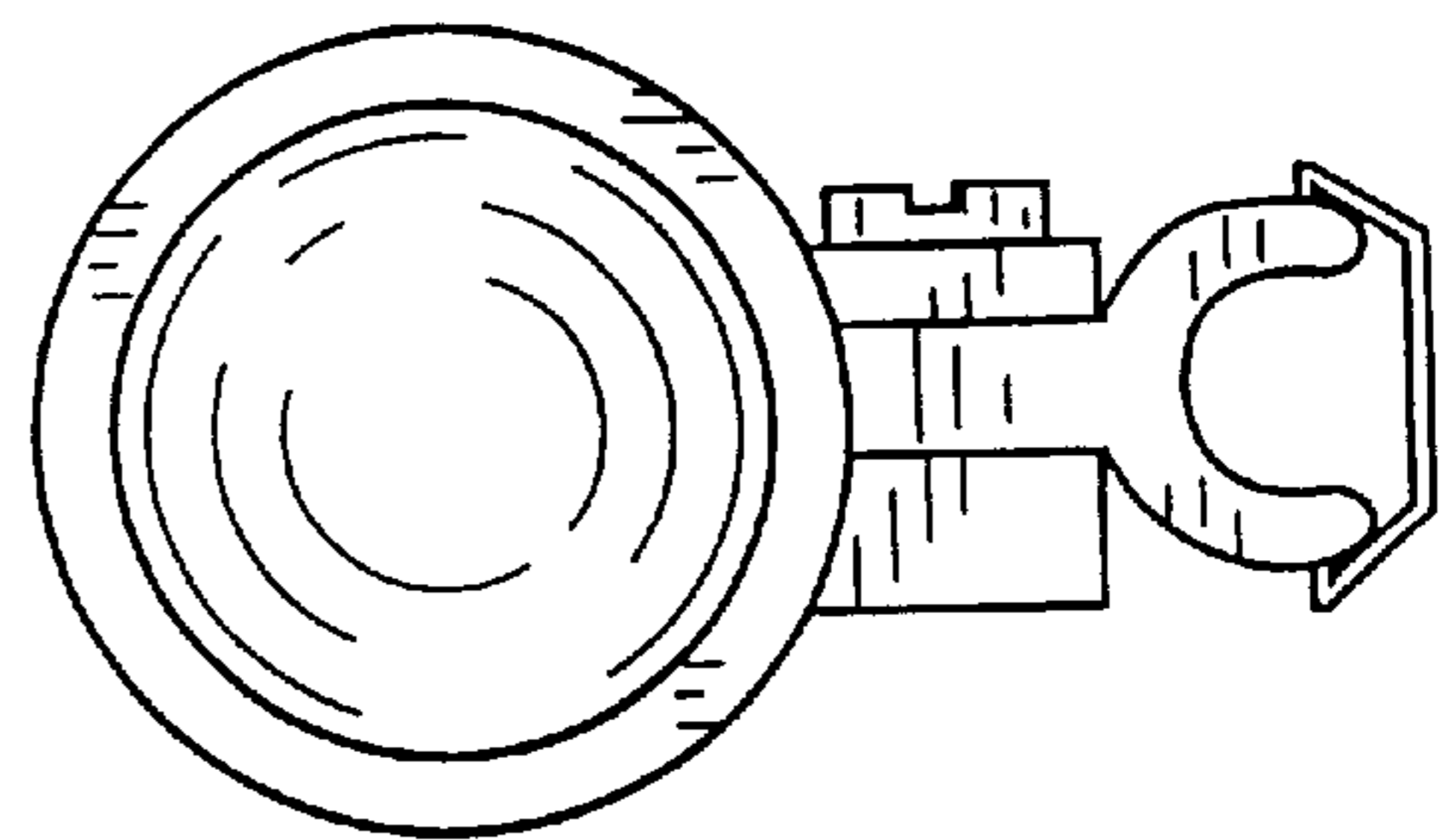
**FIG. 3**



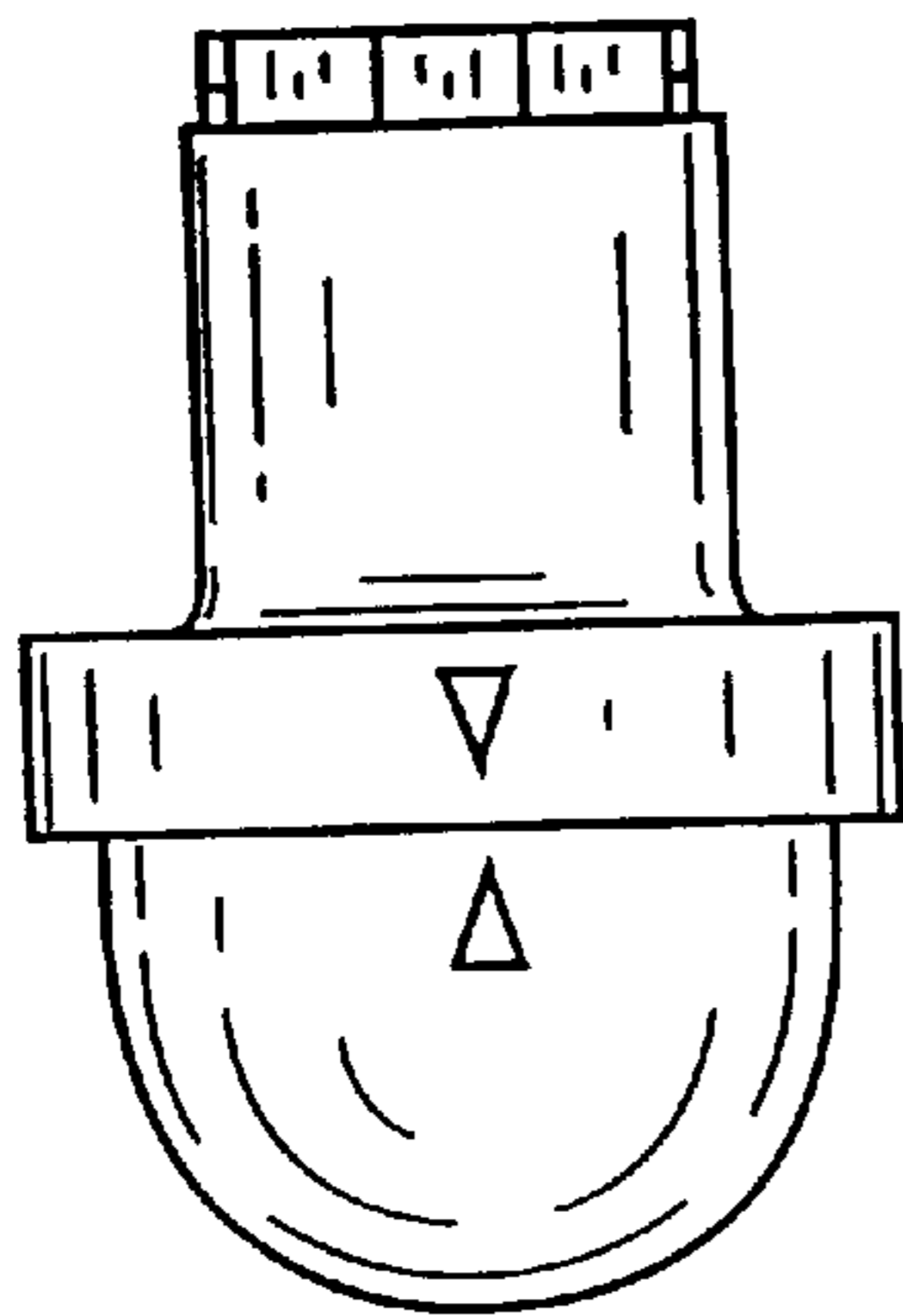
**FIG. 4**



**FIG. 5**



**FIG. 6**



**FIG. 7**

