

US00D430914S

United States Patent [19]

Antonious

[11] **Patent Number: Des. 430,914**

[45] **Date of Patent: ** Sep. 12, 2000**

[54] **GOLF PUTTER FACE**

[76] Inventor: **Anthony J. Antonious**, 7738 Calle Facil, Sarasota, Fla. 34238

[**] Term: **14 Years**

[21] Appl. No.: **29/112,555**

[22] Filed: **Oct. 20, 1999**

[51] **LOC (7) Cl.** **21-02**

[52] **U.S. Cl.** **D21/759**

[58] **Field of Search** D21/736-746, D21/753, 759; 473/340, 341, 327-331

[56] **References Cited**

U.S. PATENT DOCUMENTS

- D. 63,284 11/1923 Challis D21/736
- D. 360,444 7/1995 Takahashi et al. D21/745
- D. 411,275 6/1999 Bottema et al. D21/759

- D. 415,809 10/1999 Bottema et al. D21/759
- D. 421,081 2/2000 Antonious D21/759
- D. 421,473 3/2000 Solheim et al. D21/759
- 5,681,227 10/1997 Seyrizi 473/327

Primary Examiner—Mitchell Siegel
Attorney, Agent, or Firm—Aquilino, Welsh & Flaxman

[57] **CLAIM**

The ornamental design for a golf putter face, as shown and described.

DESCRIPTION

FIG. 1 is a front perspective view of a striking face of a golf club putter showing my new design; and, FIG. 2 is a front elevational view thereof. The broken line showing of a golf putter head is for illustrative purposes only and forms no part of the claimed design.

1 Claim, 1 Drawing Sheet

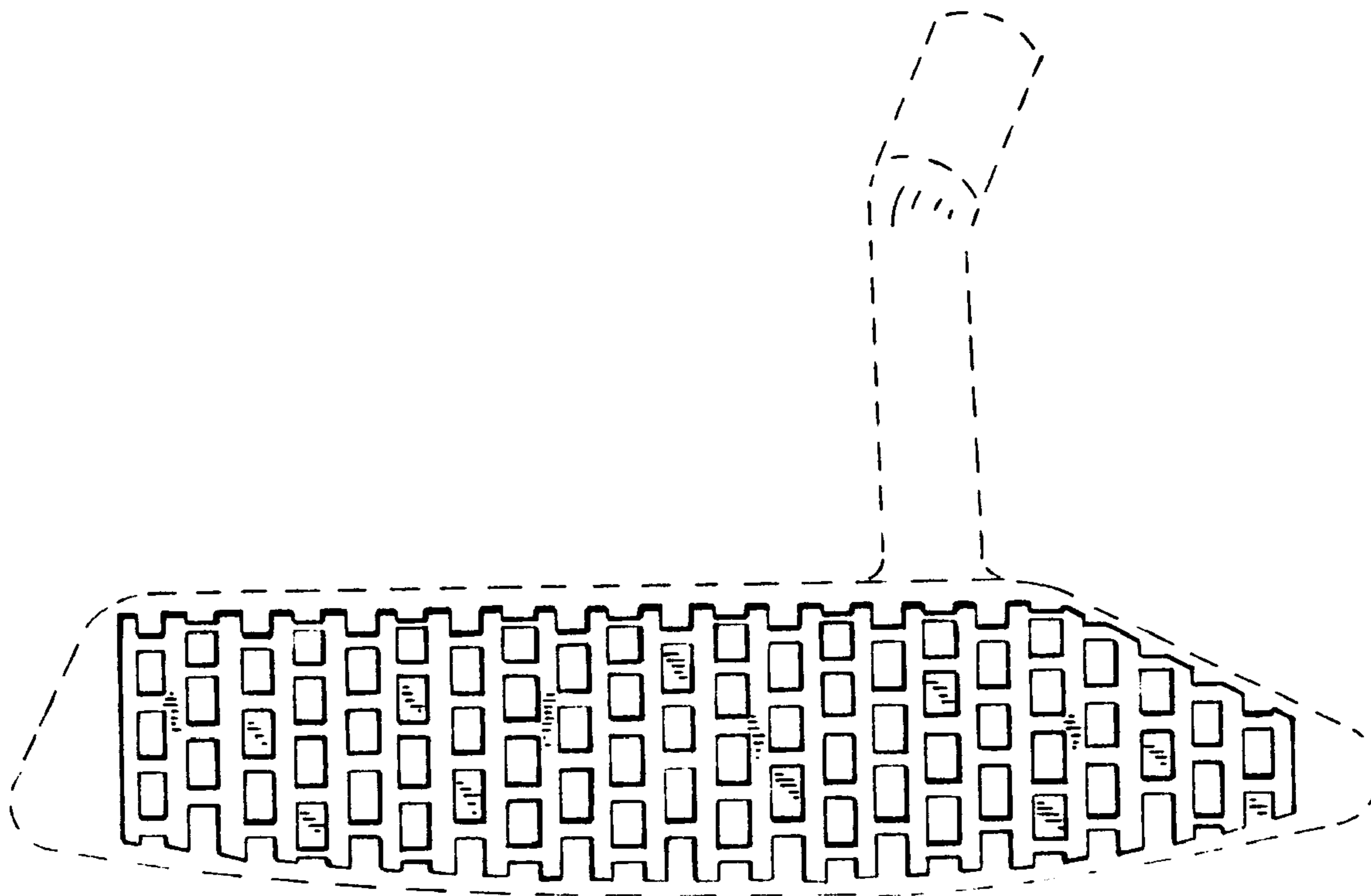


FIG. 1

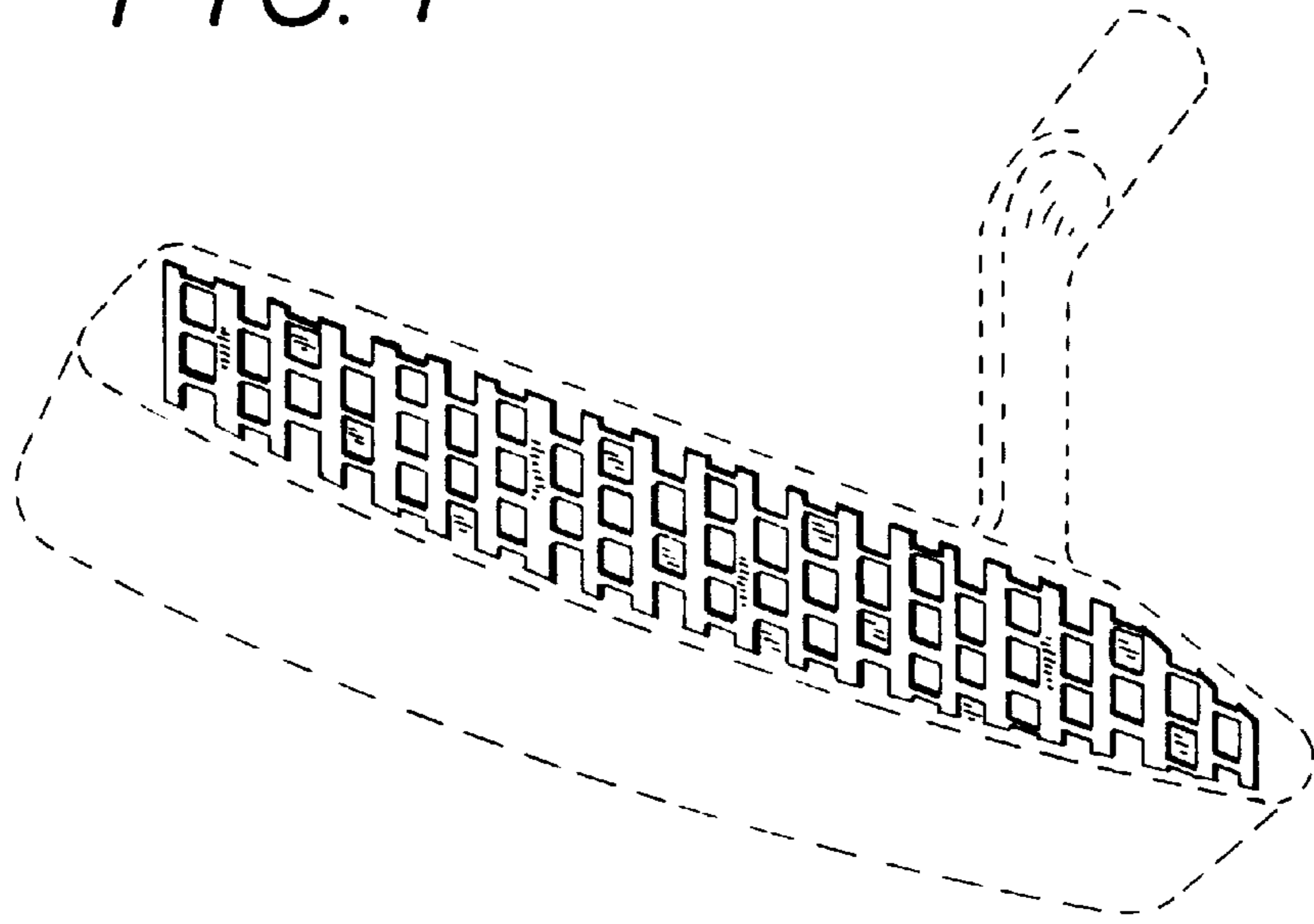


FIG. 2

