



US00D430913S

# United States Patent [19]

Lovelace

[11] **Patent Number: Des. 430,913**

[45] **Date of Patent: \*\* Sep. 12, 2000**

[54] **FLEXIBLE GOLF TEE**

[76] Inventor: **Harry A Lovelace**, 8351 Eagle Crossing, Sarasota, Fla. 34241-9438

[\*\*] Term: **14 Years**

[21] Appl. No.: **29/110,908**

[22] Filed: **Sep. 16, 1999**

[51] **LOC (7) Cl.** ..... **21-02**

[52] **U.S. Cl.** ..... **D21/718**

[58] **Field of Search** ..... **D21/718; 473/387-403**

[56] **References Cited**

**U.S. PATENT DOCUMENTS**

D. 82,059	9/1930	Sargent	.....	D21/718
D. 142,521	10/1945	Hughes	.....	D21/718
2,839,304	6/1958	Lerick	.....	473/397
3,559,998	2/1971	Kelly	.....	473/401
4,524,974	6/1985	Matsuura	.....	473/396

4,645,208	2/1987	Morabeto	.....	473/397
4,989,869	2/1991	Lackey	.....	473/396
5,242,170	9/1993	Ward	.....	473/396

*Primary Examiner*—Richelle Shelton

[57] **CLAIM**

The ornamental design for a flexible golf tee, as shown and described.

**DESCRIPTION**

FIG. 1 is a front elevational view of the flexible golf tee of the present invention, the rear view being a mirror image thereof;

FIG. 2 is a right side elevational view of the flexible golf tee of FIG. 1, the left side view being a mirror image thereof; FIG. 3 is a top plan view of the flexible golf tee of FIG. 1; and,

FIG. 4 is a bottom plan view of the flexible golf tee of FIG. 1.

**1 Claim, 2 Drawing Sheets**

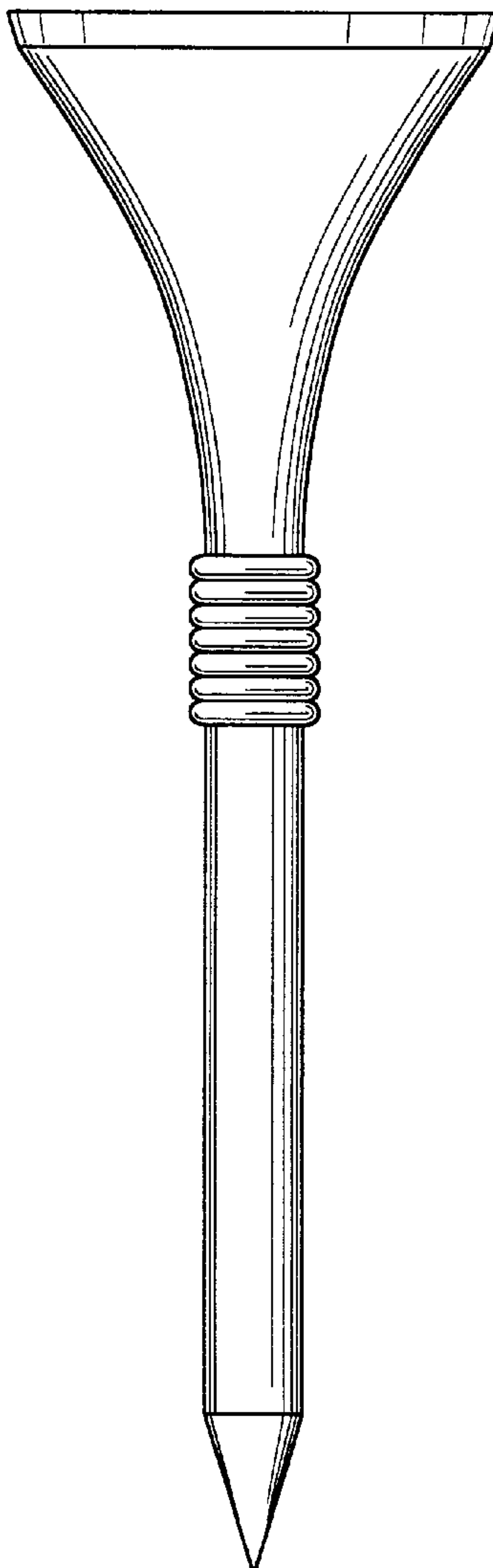


FIG. 1

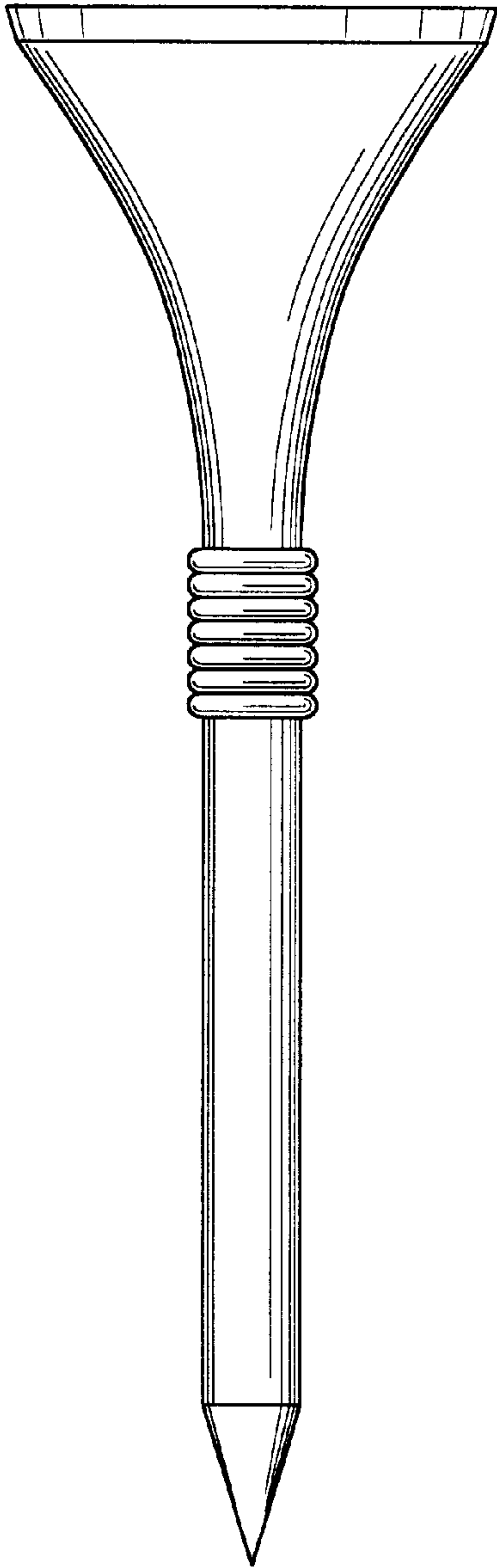


FIG. 2

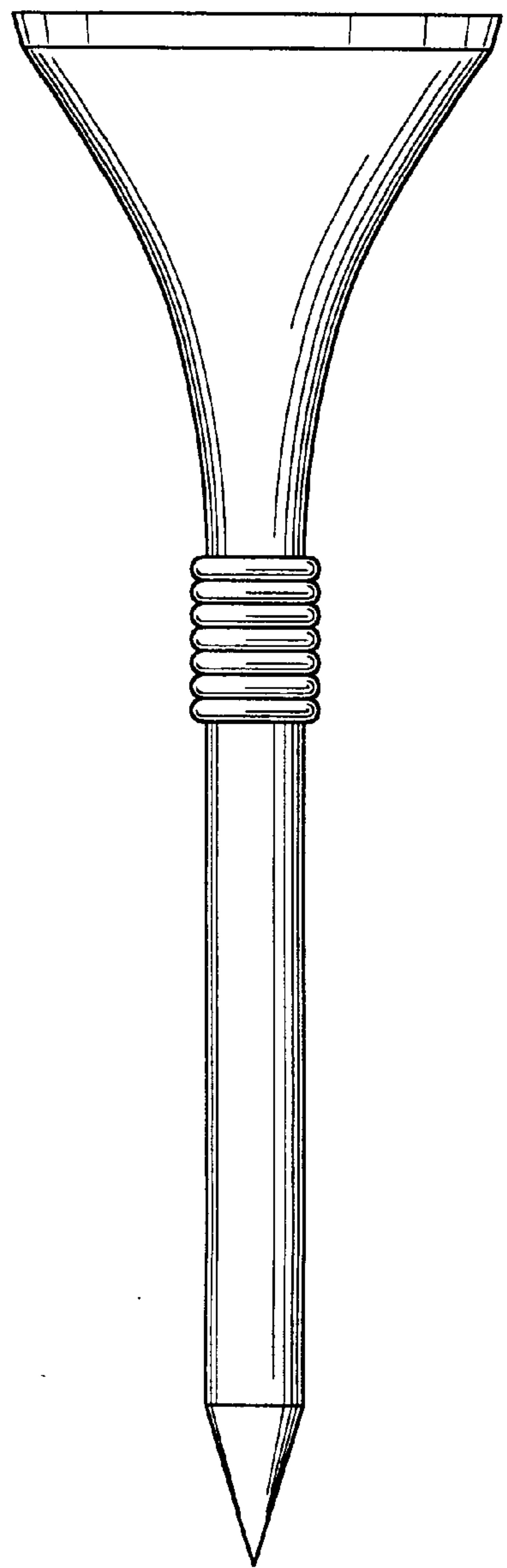


FIG. 3

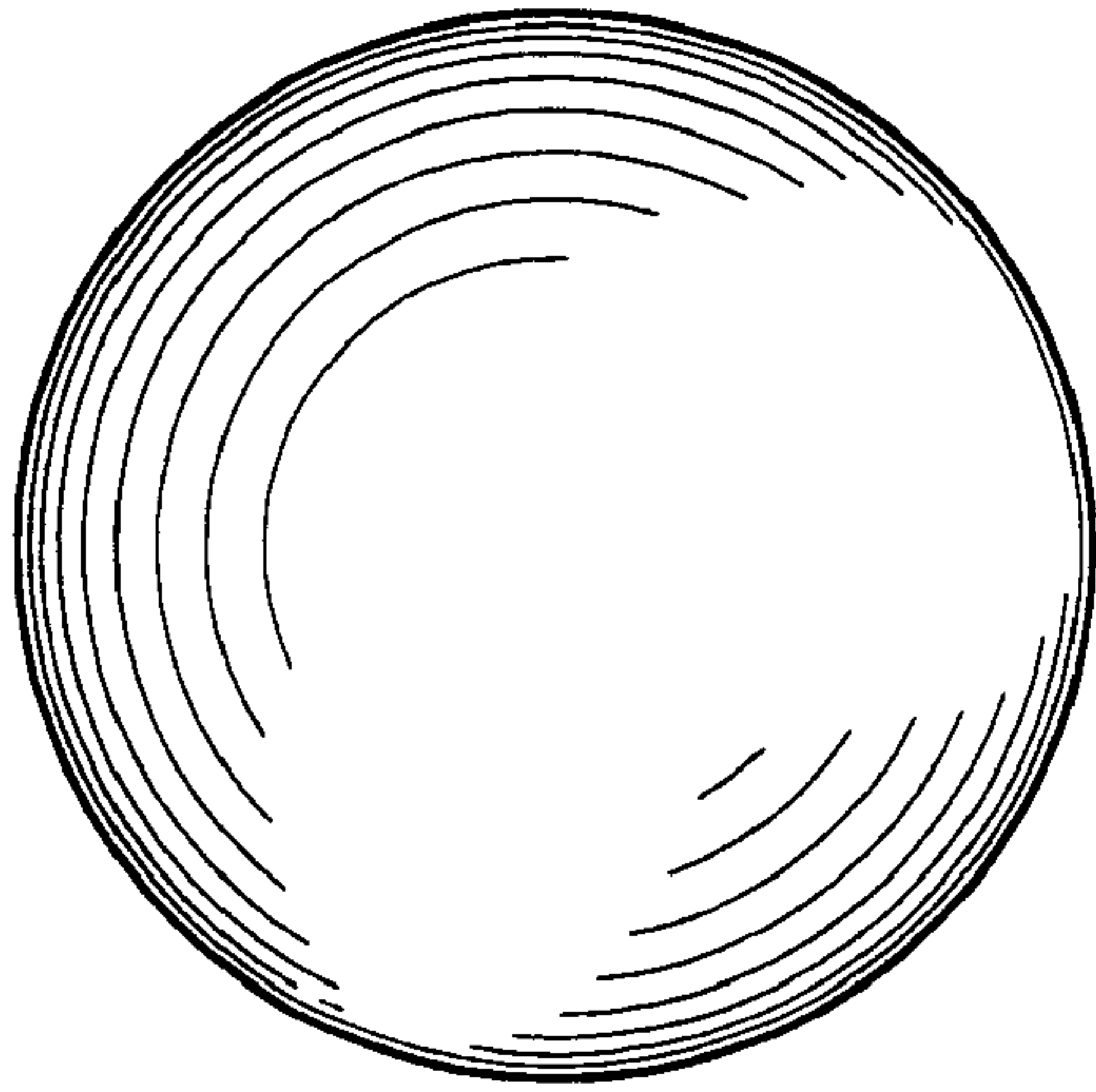


FIG. 4

