



US00D430901S

United States Patent [19] Palmer

[11] **Patent Number: Des. 430,901**

[45] **Date of Patent: ** Sep. 12, 2000**

[54] **TWO-SIDED LIGHT BOX**

[75] Inventor: **James Palmer**, St. Clair Shores, Mich.

[73] Assignee: **Palmer Promotional Products**, St. Clair Shores, Mich.

[**] Term: **14 Years**

[21] Appl. No.: **29/114,226**

[22] Filed: **Nov. 22, 1999**

[51] **LOC (7) Cl.** **20-03**

[52] **U.S. Cl.** **D20/10; D20/43**

[58] **Field of Search** D20/10, 17, 19,
D20/42, 43; 40/538, 540-553, 564, 572,
574, 575, 584, 611; 362/812

[56] **References Cited**

U.S. PATENT DOCUMENTS

- D. 158,573 5/1950 Hammer .
- D. 244,725 6/1977 Niehaus et al. .
- D. 245,289 8/1977 Niehaus et al. .
- D. 288,101 2/1987 Rohrer, III .
- D. 326,282 5/1992 Spoljaric D20/10 X
- D. 355,676 2/1995 Wilson .
- D. 398,657 9/1998 Palmer et al. .
- 1,816,220 7/1931 Hotchner .

- 1,931,742 10/1933 Scharringhausen .
- 2,499,063 2/1950 Hammer .
- 2,566,458 9/1951 Macau V. .
- 2,611,981 9/1952 Whitebread .
- 2,772,497 12/1956 Nelson .
- 4,380,880 4/1983 Gandy 40/572 X
- 5,042,182 8/1991 King 40/574 X
- 5,555,938 9/1996 Tzeng 40/542 X

Primary Examiner—Susan J. Lucas
Assistant Examiner—J Rivard
Attorney, Agent, or Firm—Nixon & Vanderhye PC

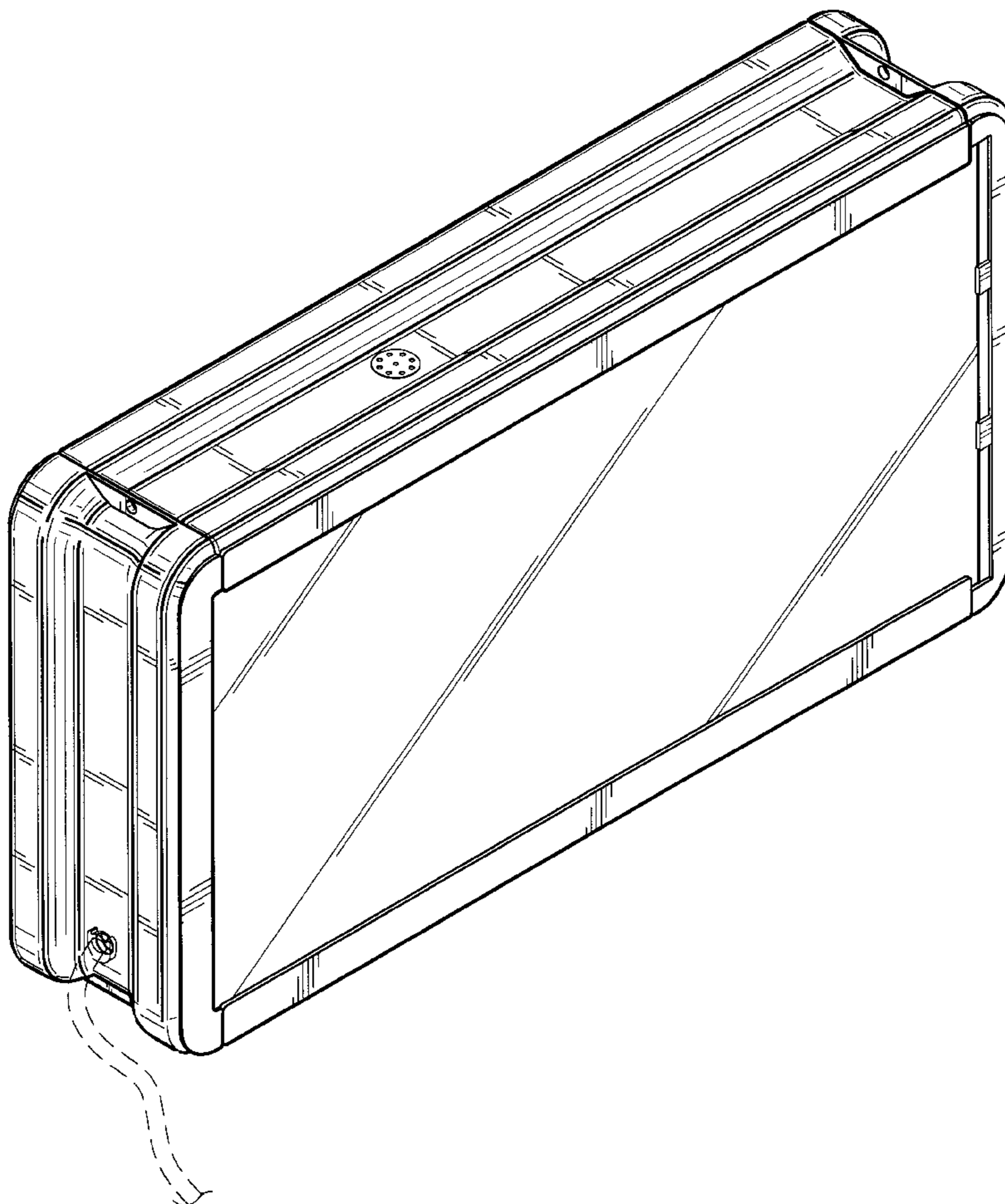
[57] **CLAIM**

The ornamental design for a two-sided light box, as shown and described.

DESCRIPTION

FIG. 1 is a perspective view of a two-sided light box showing my design;
FIG. 2 is a front elevational view thereof;
FIG. 3 is a top plan view thereof;
FIG. 4 is a back elevational view thereof;
FIG. 5 is a bottom plan view thereof;
FIG. 6 is a right side elevational view thereof; and,
FIG. 7 is a left side elevational view thereof.

1 Claim, 5 Drawing Sheets



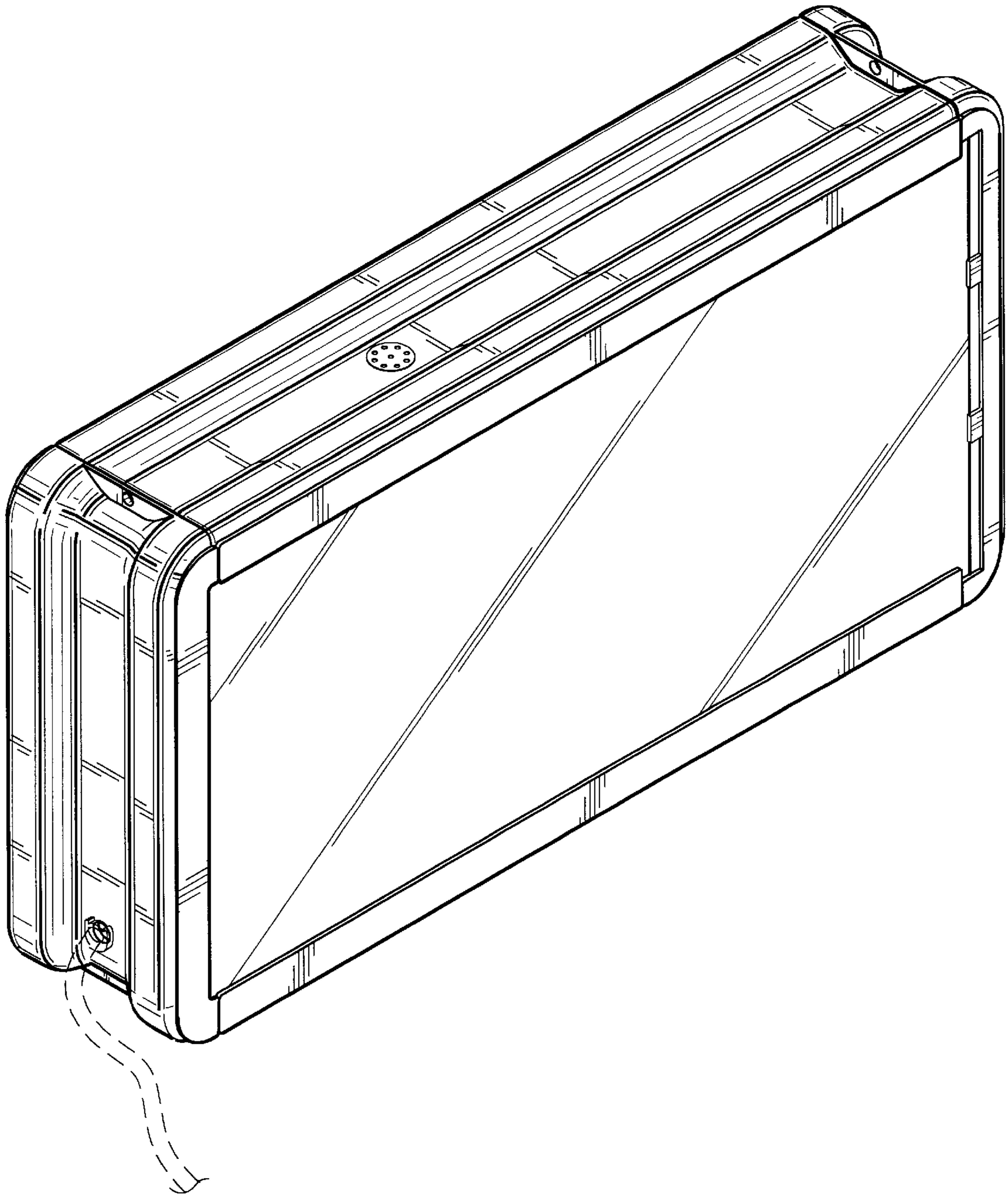


Fig. 1

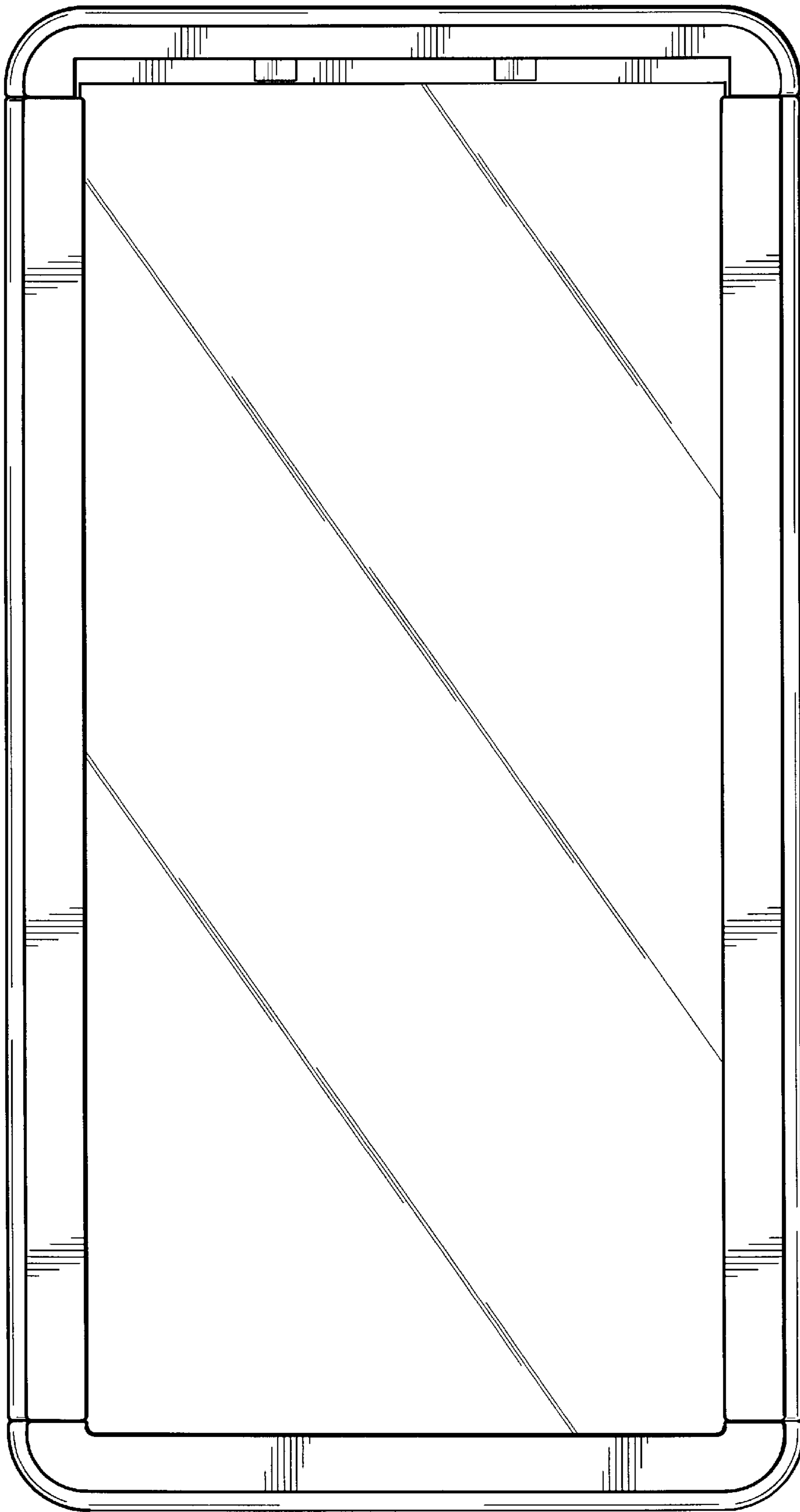


Fig.2

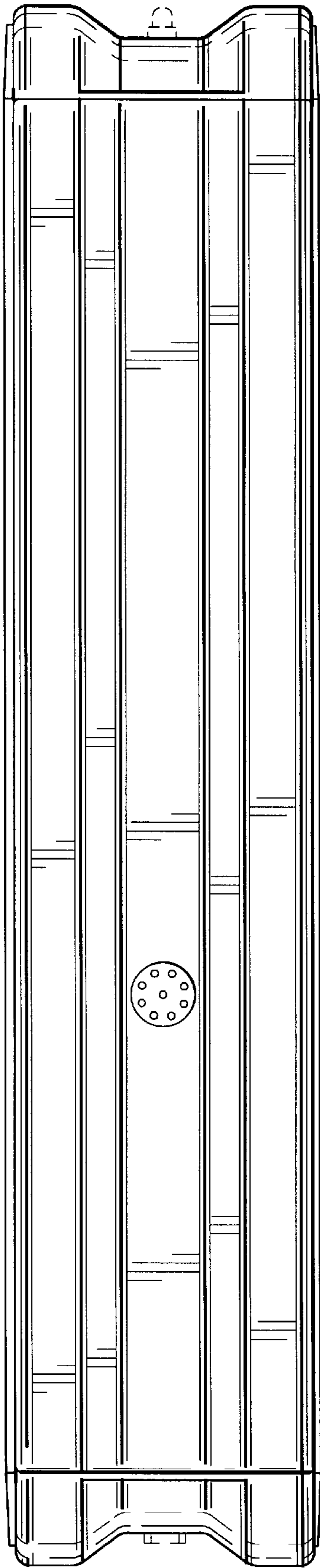


Fig.3

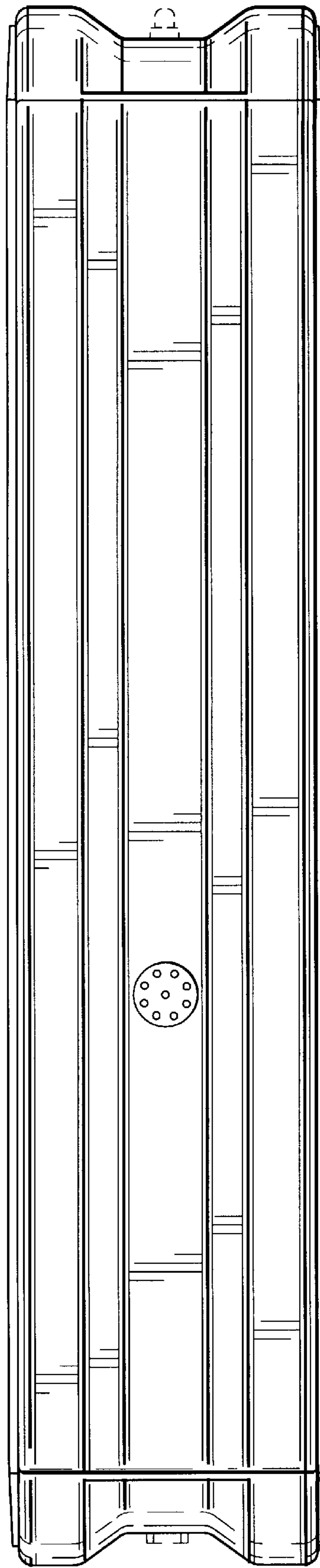


Fig.5

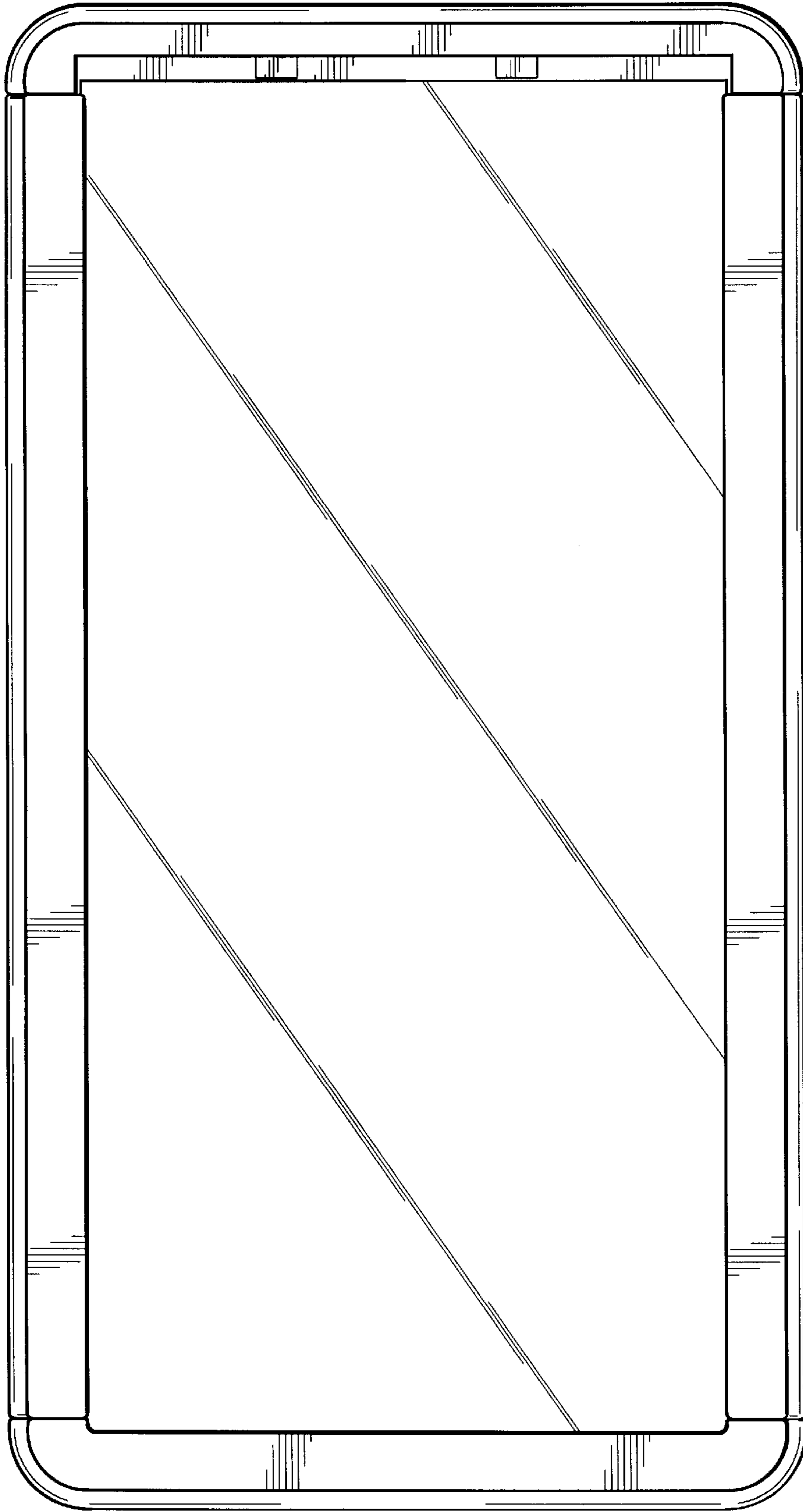


Fig.4

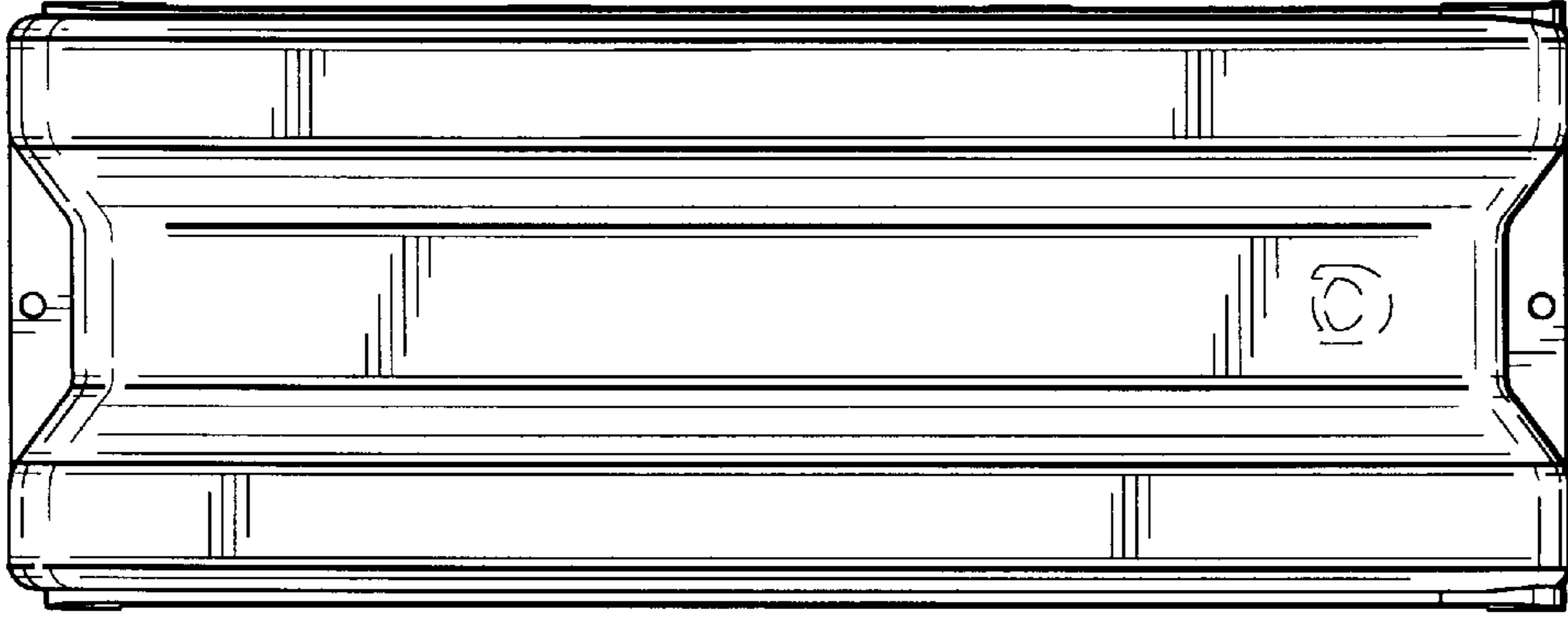


Fig.7

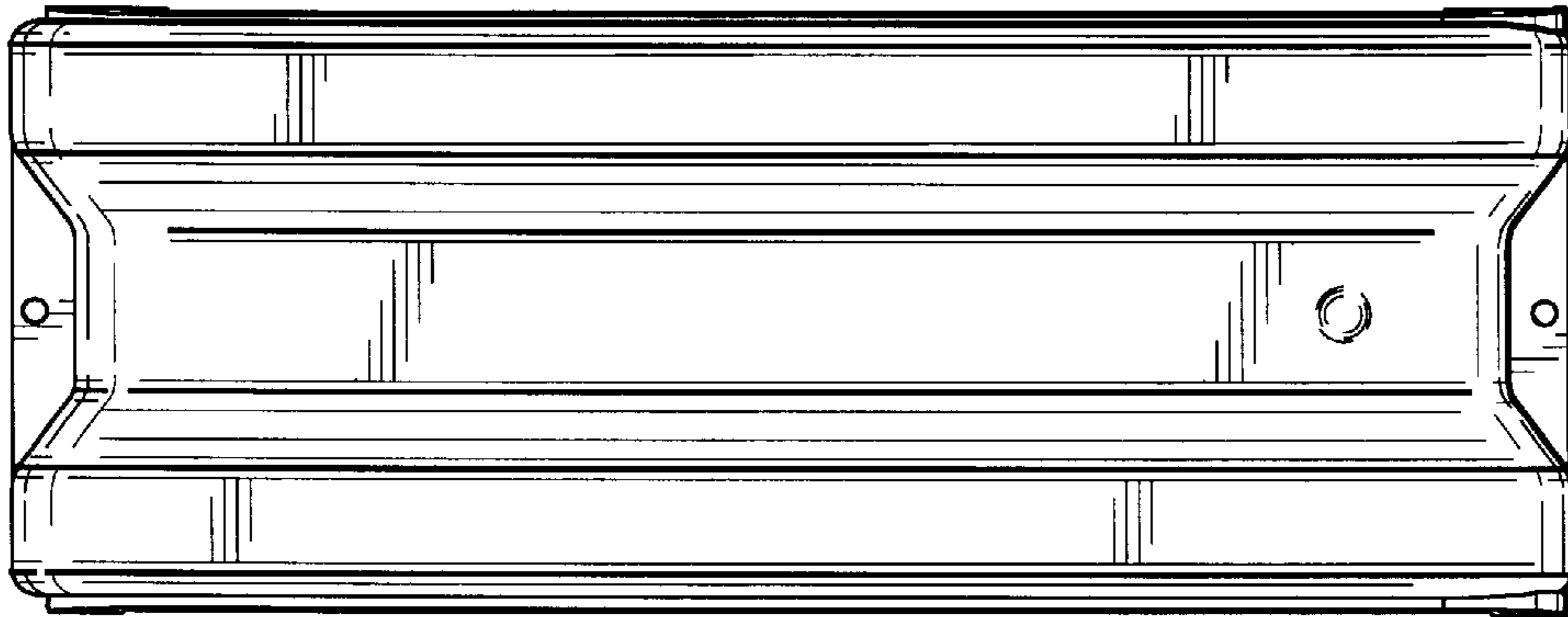


Fig.6