



US00D430897S

# United States Patent [19]

[11] Patent Number: **Des. 430,897**

**Bishop et al.**

[45] Date of Patent: **\*\* Sep. 12, 2000**

[54] **INK CARTRIDGE FOR PRINTER**

[75] Inventors: **David Carl Bishop**, Versailles; **Gary David Vough**, Lexington, both of Ky.

[73] Assignee: **Lexmark International, Inc.**, Lexington, Ky.

[\*\*] Term: **14 Years**

[21] Appl. No.: **29/106,335**

[22] Filed: **Jun. 11, 1999**

[51] **LOC (7) Cl.** ..... **18-02**

[52] **U.S. Cl.** ..... **D18/56; 347/86**

[58] **Field of Search** ..... **D18/56; 347/86-87**

[56] **References Cited**

**U.S. PATENT DOCUMENTS**

- D. 267,330 12/1982 Worrell .
- D. 279,581 7/1985 Juliana et al. .
- D. 314,973 2/1991 Yamamoto .
- D. 325,218 4/1992 La .
- D. 338,224 8/1993 Ujita .
- D. 338,235 8/1993 Komada et al. .
- D. 351,190 10/1994 Oshima et al. .
- D. 353,156 12/1994 Kaplinsky et al. .
- D. 356,333 3/1995 Pearce et al. .... D18/56
- D. 361,343 8/1995 Kaplinsky et al. .
- D. 363,507 10/1995 Kashino et al. .
- D. 363,508 10/1995 Kashino et al. .
- D. 369,383 4/1996 Miyazawa et al. .
- D. 372,732 8/1996 Taneya et al. .... D18/56
- D. 373,381 9/1996 Altendorf et al. .
- D. 375,523 11/1996 Murray .
- D. 380,491 7/1997 Tashiro et al. .... D18/56
- D. 381,360 7/1997 Kawai et al. .... D18/56
- D. 386,520 11/1997 Tashiro et al. .... D18/56
- D. 391,289 2/1998 Inoue et al. .... D18/56
- D. 392,312 3/1998 Inoue et al. .
- D. 395,916 7/1998 Inoue et al. .
- D. 400,573 11/1998 Inoue et al. .... D18/56
- D. 400,574 11/1998 Inoue et al. .
- D. 401,621 11/1998 Shimizu et al. .... D18/56
- D. 404,067 1/1999 Tashiro et al. .... D18/56

- D. 407,746 4/1999 Fujii et al. .... D18/56
- 4,931,811 6/1990 Cowger et al. .
- 4,999,652 3/1991 Chan .
- 5,450,112 9/1995 Scheffelin .
- 5,467,117 11/1995 Evans et al. .
- 5,467,118 11/1995 Gragg et al. .
- 5,502,479 3/1996 Ishinaga et al. .
- 5,504,513 4/1996 Nobel et al. .
- 5,515,092 5/1996 Swanson et al. .
- 5,526,030 6/1996 Baldwin et al. .
- 5,539,436 7/1996 Wilson et al. .... D18/56
- 5,600,358 2/1997 Baldwin et al. .
- 5,745,138 4/1998 Ostermeier ..... 347/86
- 5,905,518 5/1999 DeFilippis .

**FOREIGN PATENT DOCUMENTS**

0 419 189 A1 3/1991 European Pat. Off. .

*Primary Examiner*—Cathy Anne MacCormac  
*Attorney, Agent, or Firm*—Michael T. Sanderson

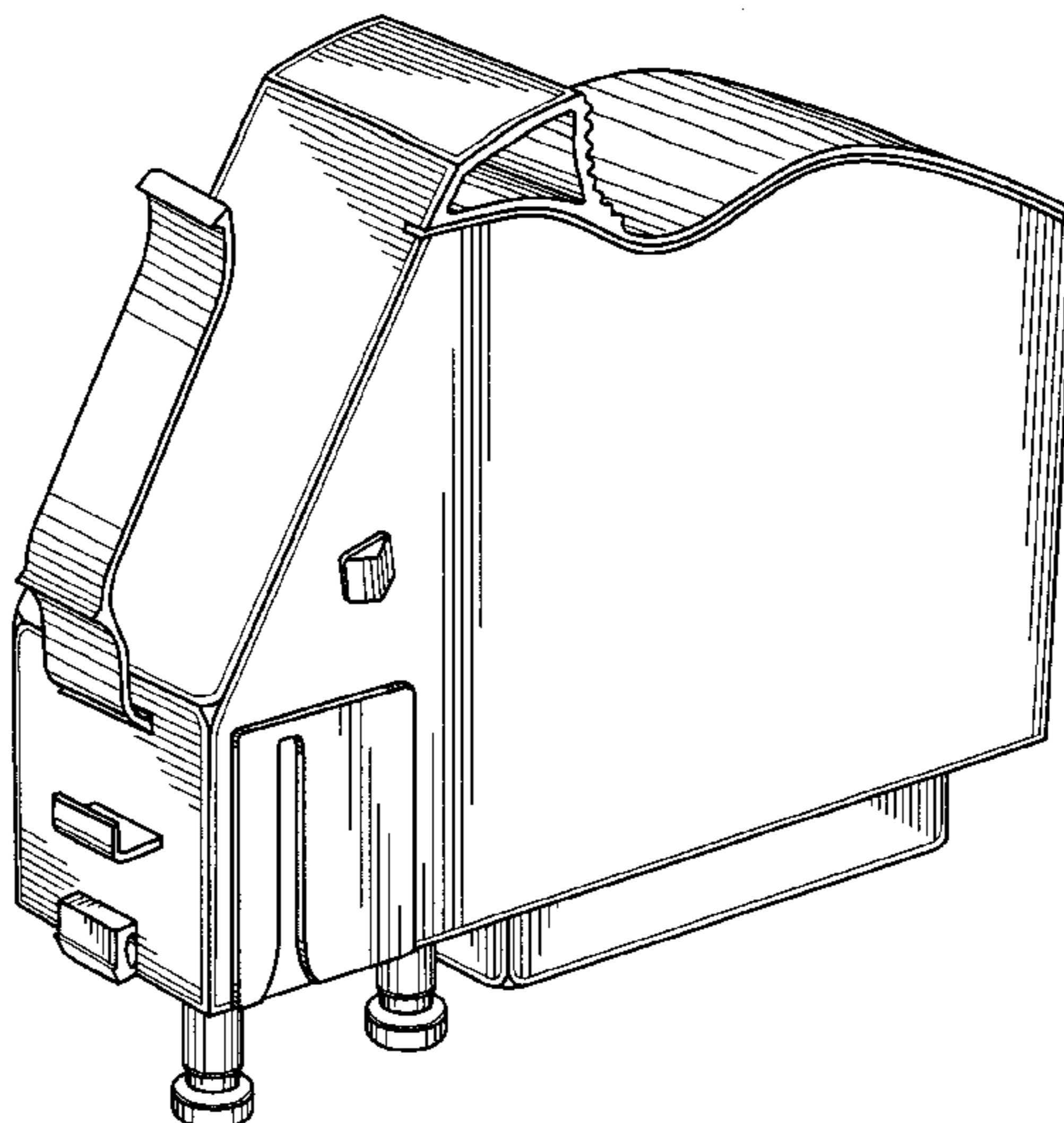
[57] **CLAIM**

The ornamental design for an ink cartridge for printer, as shown and described.

**DESCRIPTION**

FIG. 1 is a top, front left side perspective view of an ink cartridge for printer in accordance with our new design; FIG. 2 is a left side view thereof; FIG. 3 is a right side view thereof; FIG. 4 is a front view thereof; FIG. 5 is a front view thereof of an alternative embodiment of an ink cartridge for printer having centerline arranged communication ports; FIG. 6 is a rear view thereof; FIG. 7 is a rear view thereof of an alternative embodiment of an ink cartridge for printer having centerline arranged communication ports; FIG. 8 is a top view thereof; FIG. 9 is a bottom view thereof; and, FIG. 10 is a bottom view thereof of an alternative embodiment of an ink cartridge for printer having centerline arranged communication ports.

**1 Claim, 4 Drawing Sheets**



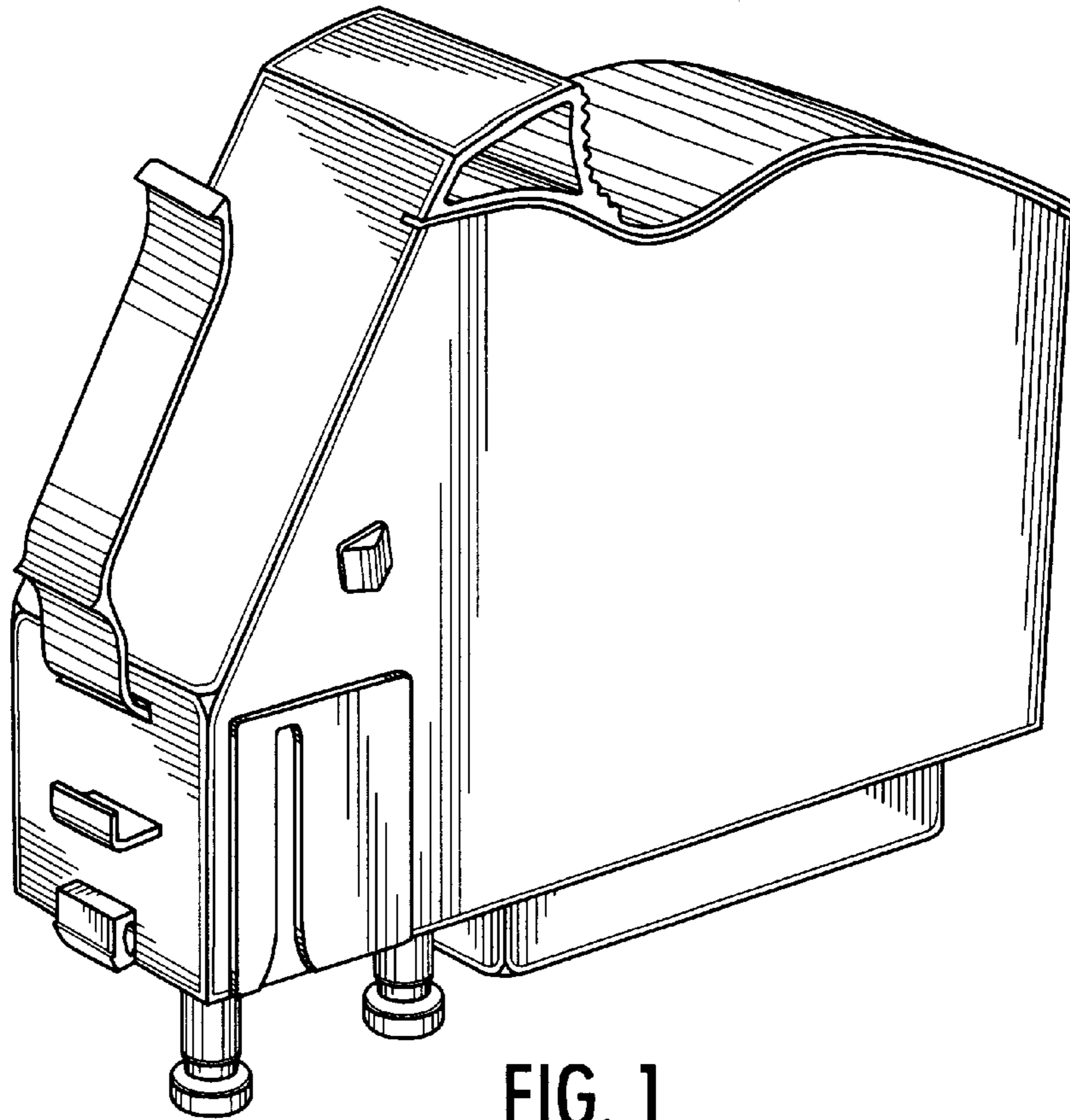


FIG. 1

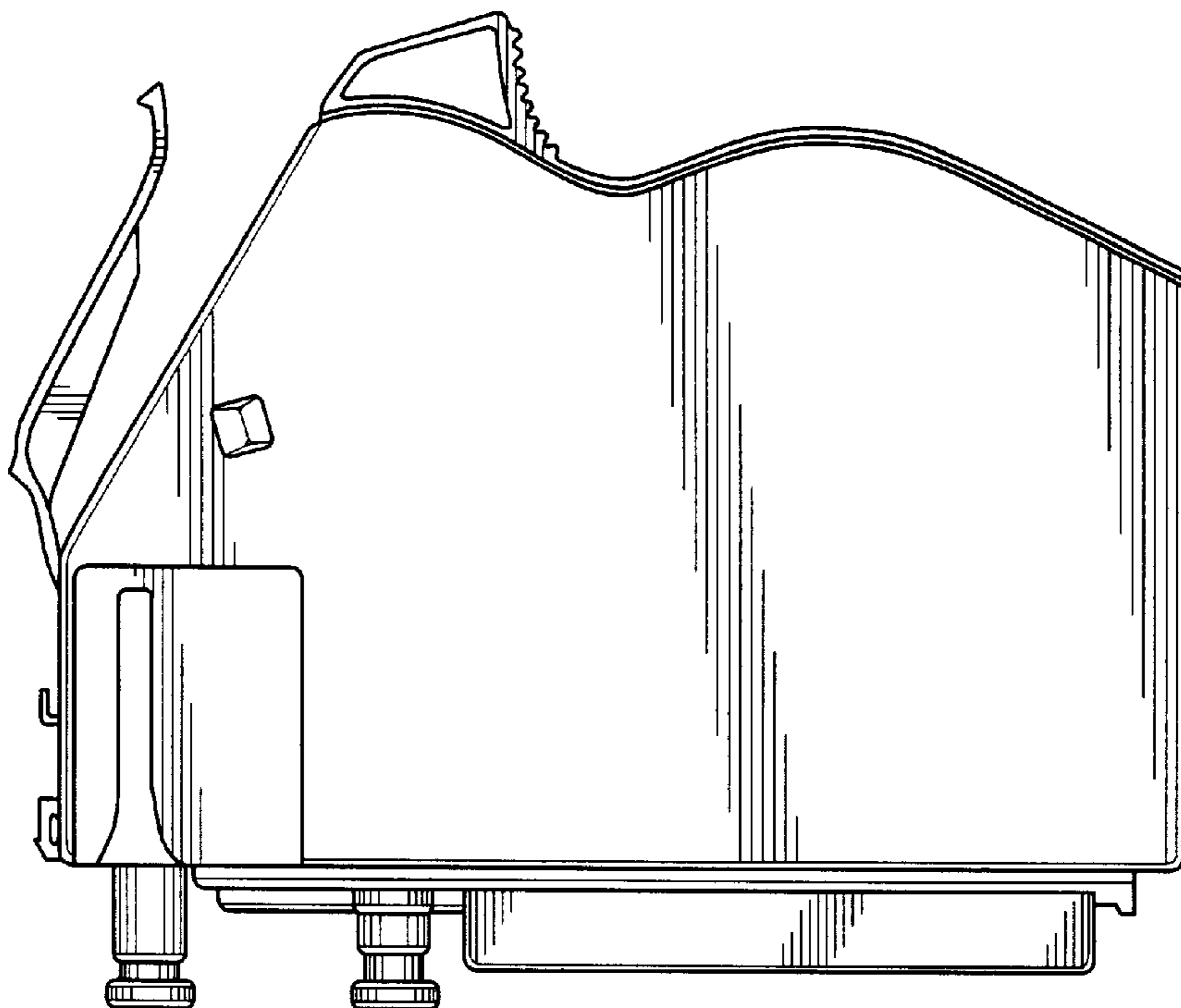


FIG. 2

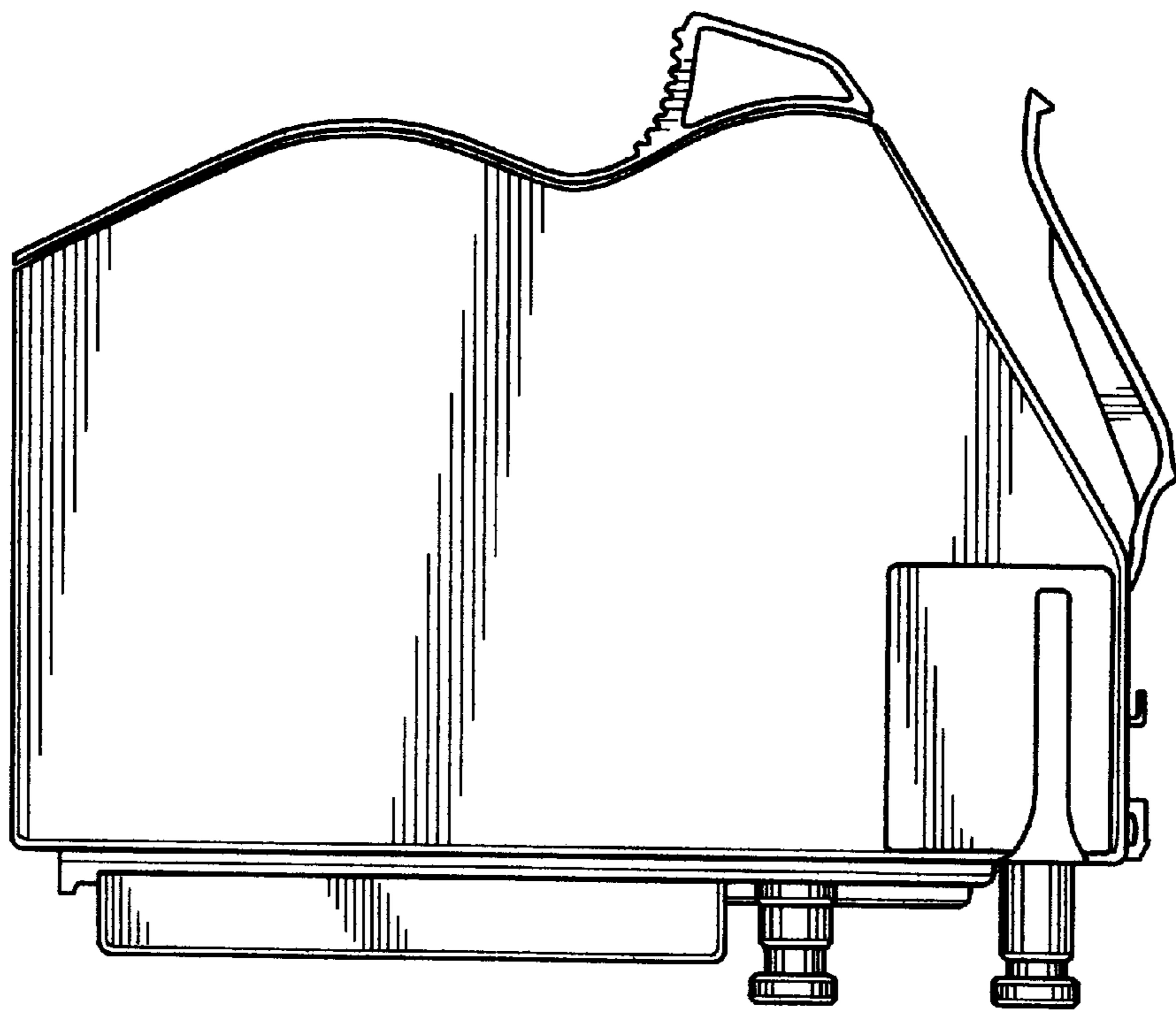


FIG. 3

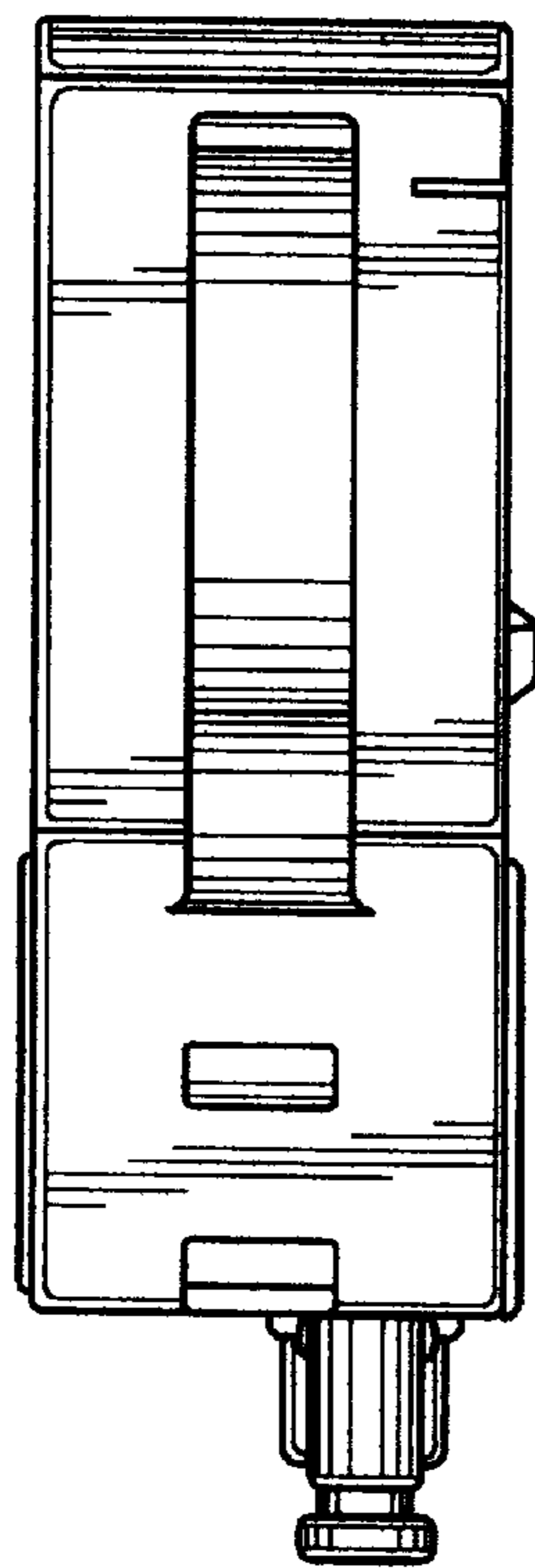


FIG. 4

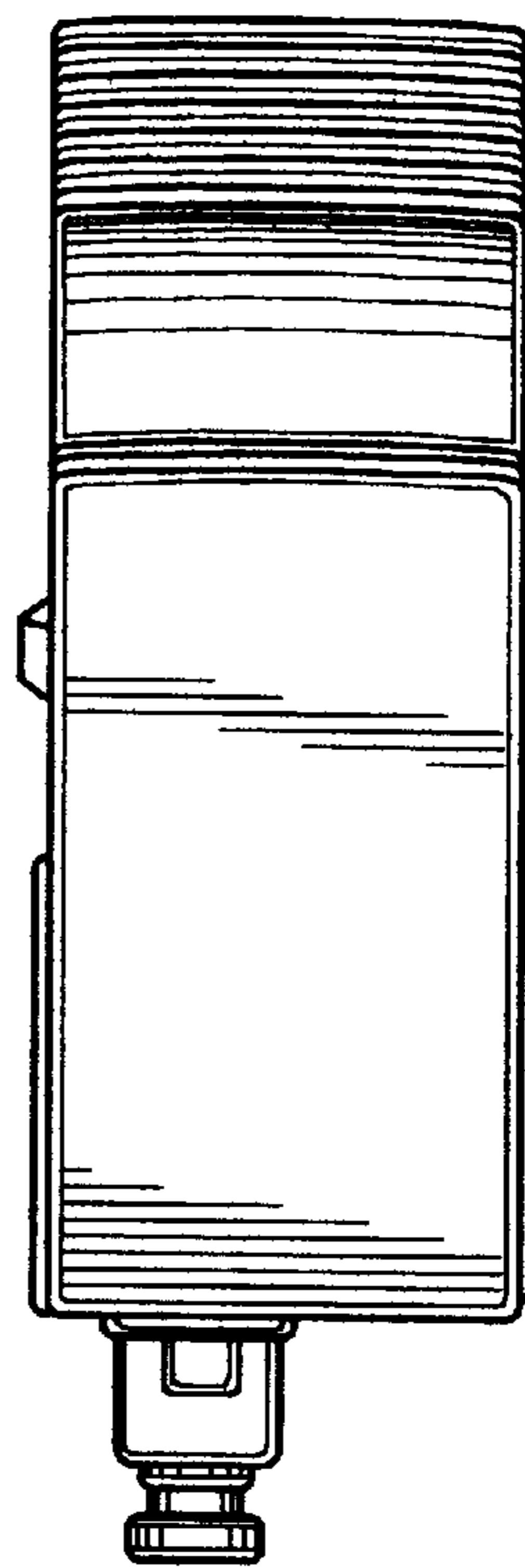


FIG. 5

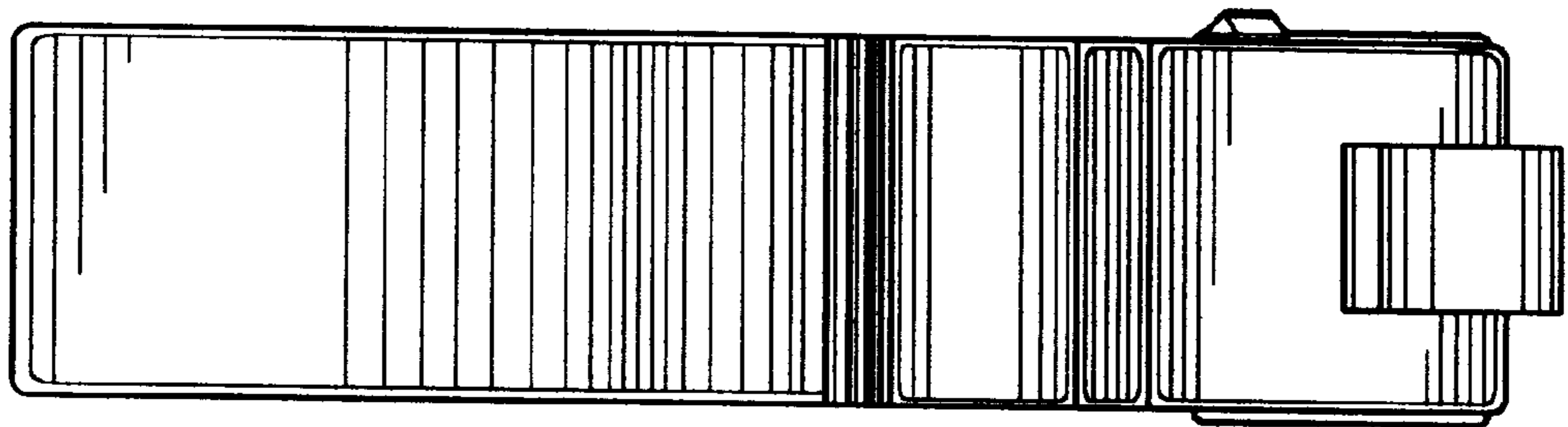


FIG. 6

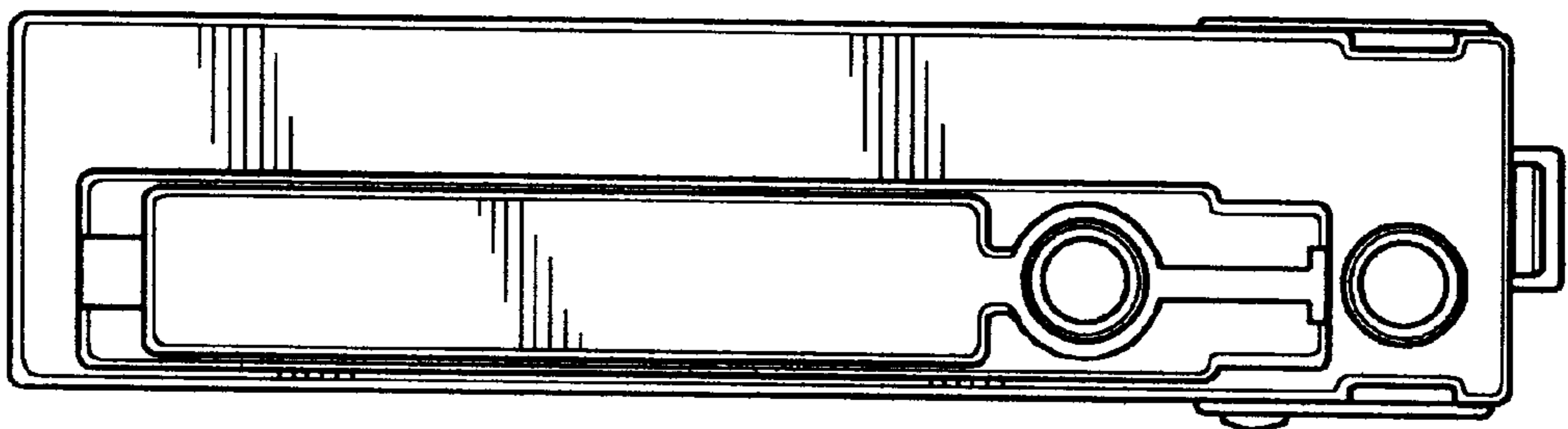


FIG. 7



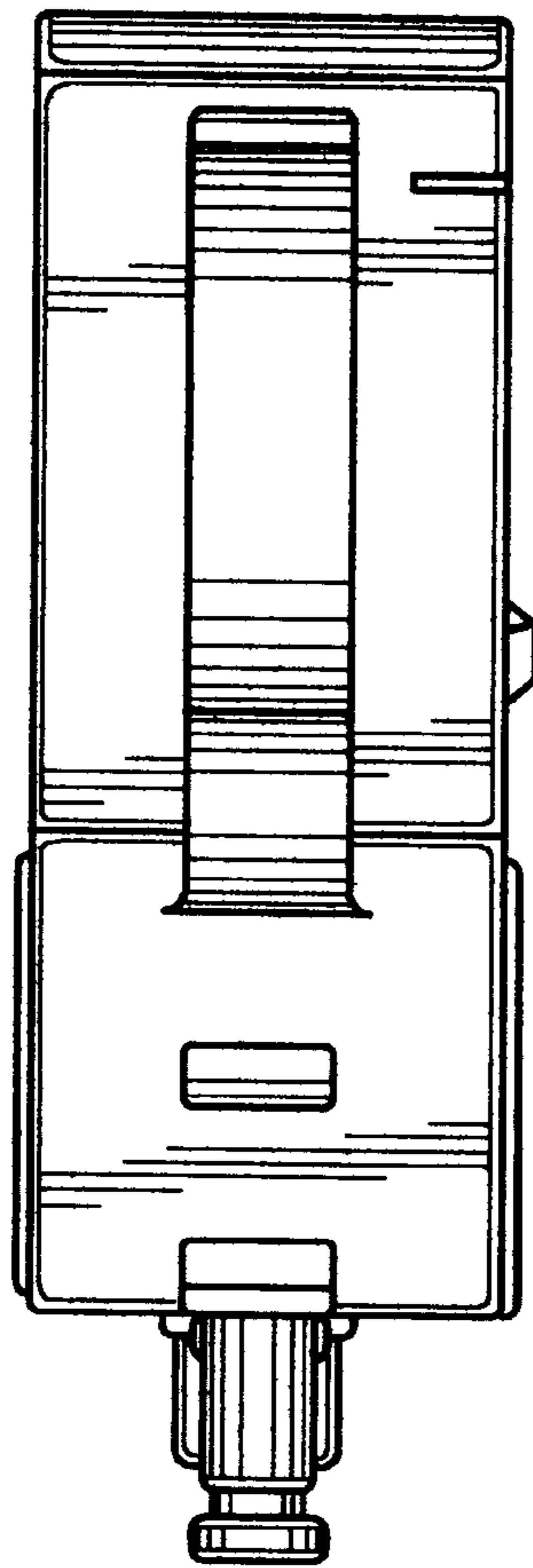


FIG. 8

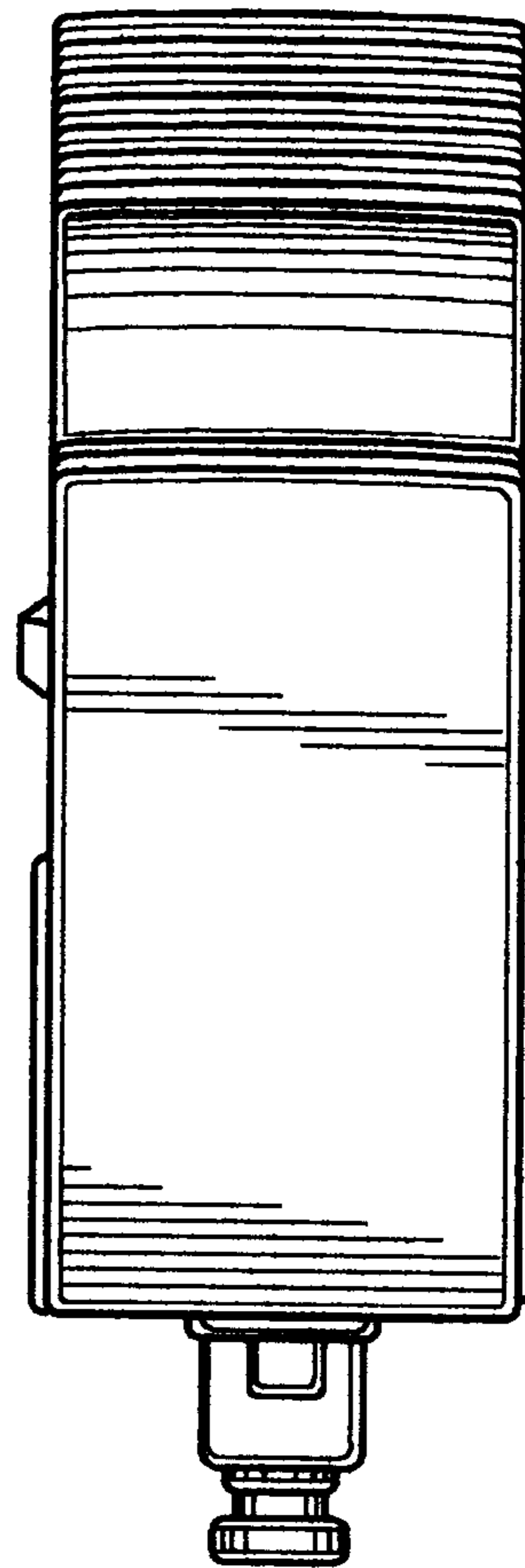


FIG. 9

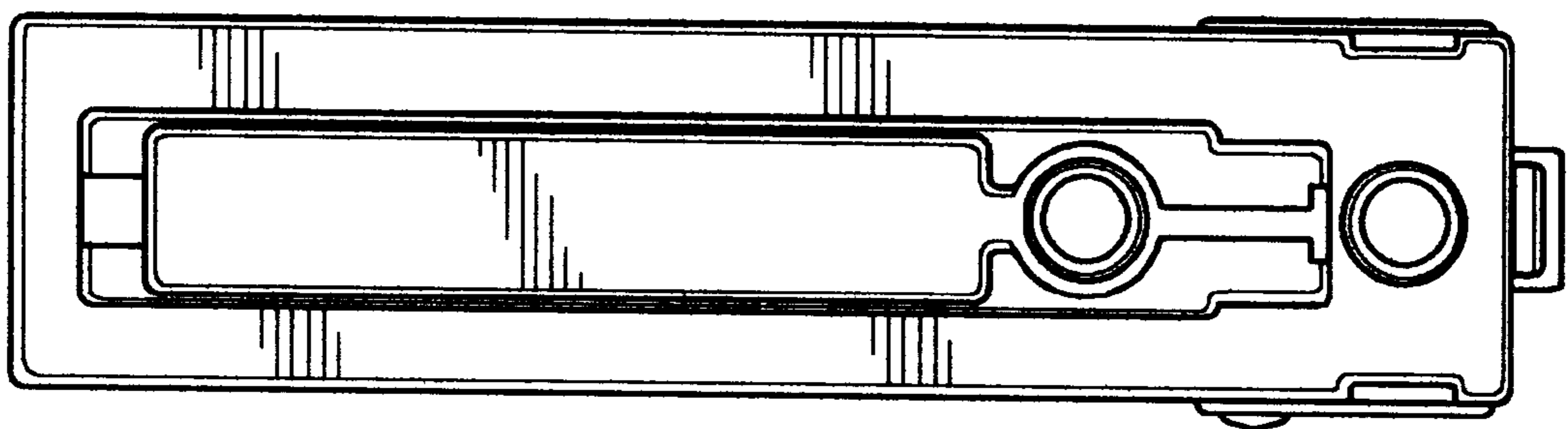


FIG. 10