



US00D430893S

United States Patent [19]

[11] Patent Number: **Des. 430,893**

Vue

[45] Date of Patent: **** Sep. 12, 2000**

[54] **COMBINED TELEVISION PRINTER AND REMOTE CONTROL**

[76] Inventor: **Soua Vue**, 31 Sheridan Ave., Pontiac, Mich. 48342

[**] Term: **14 Years**

[21] Appl. No.: **29/109,984**

[22] Filed: **Aug. 26, 1999**

[51] **LOC (7) Cl.** **18-02**

[52] **U.S. Cl.** **D18/50; 14/2**

[58] **Field of Search** D18/50, 54, 55; 400/613, 613.1-613.4, 691-694, 690.1-690.4

[56] **References Cited**

U.S. PATENT DOCUMENTS

D. 307,439	4/1990	Doi	D18/55
D. 322,802	12/1991	Hara	D18/55
D. 326,678	6/1992	Uchibori et al.	D18/55
D. 367,882	3/1996	Parsey et al.	D18/55
D. 373,596	9/1996	Sekine et al.	D18/55
D. 374,032	9/1996	Kobayashi et al.	D18/55
D. 378,378	3/1997	Nakazawa et al.	D18/54
D. 379,827	6/1997	Andre	D18/54
D. 382,583	8/1997	Takahashi et al.	D18/55
D. 390,257	2/1998	Dwyer et al.	D18/55

D. 390,258	2/1998	Kawahara et al.	D18/55
D. 393,870	4/1998	Kobayashi et al.	D18/55
D. 397,357	8/1998	Herman et al.	D18/55
D. 400,571	11/1998	Shimizu	D18/54
D. 400,572	11/1998	Sekine et al.	D18/54
D. 400,918	11/1998	Kobayashi et al.	D18/55
D. 411,228	6/1999	Kobayashi et al.	D18/50
D. 415,520	10/1999	Suzuki et al.	D18/55
4,763,135	8/1988	Shimode et al.	D18/55

Primary Examiner—Cathy Anne MacCormac

[57] **CLAIM**

The ornamental design for a combined television printer and remote control, as shown and described.

DESCRIPTION

FIG. 1 is a front elevational view of a combined television printer and remote control of the present invention; FIG. 2 is a rear elevational view thereof; FIG. 3 is a left side elevational view thereof; FIG. 4 is a right side elevational view thereof; FIG. 5 is a bottom plan view thereof; and, FIG. 6 is a top plan view thereof.

The electrical cords in FIGS. 3-6 are shown broken away to show indeterminate length.

1 Claim, 4 Drawing Sheets

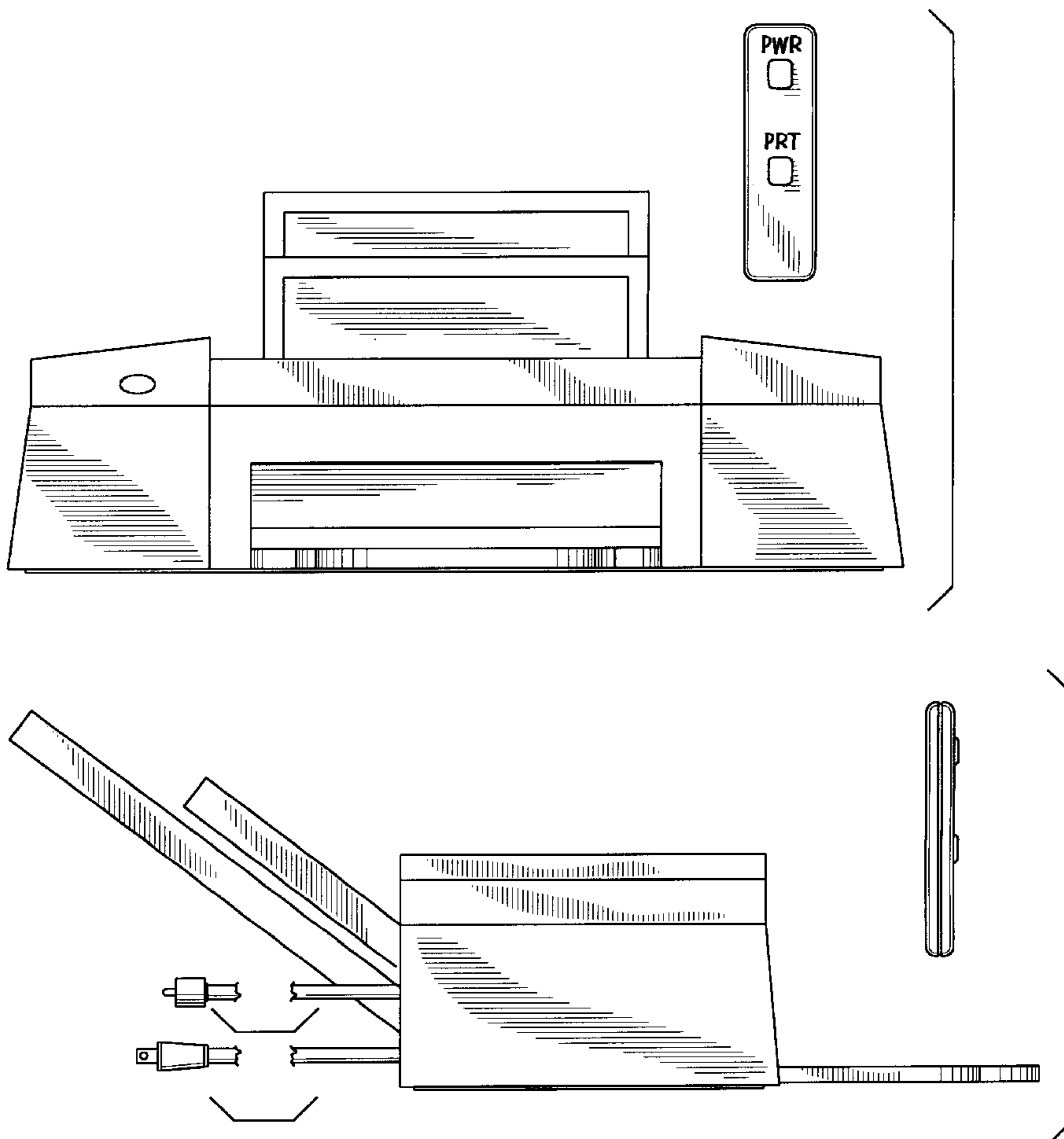


FIG. 1

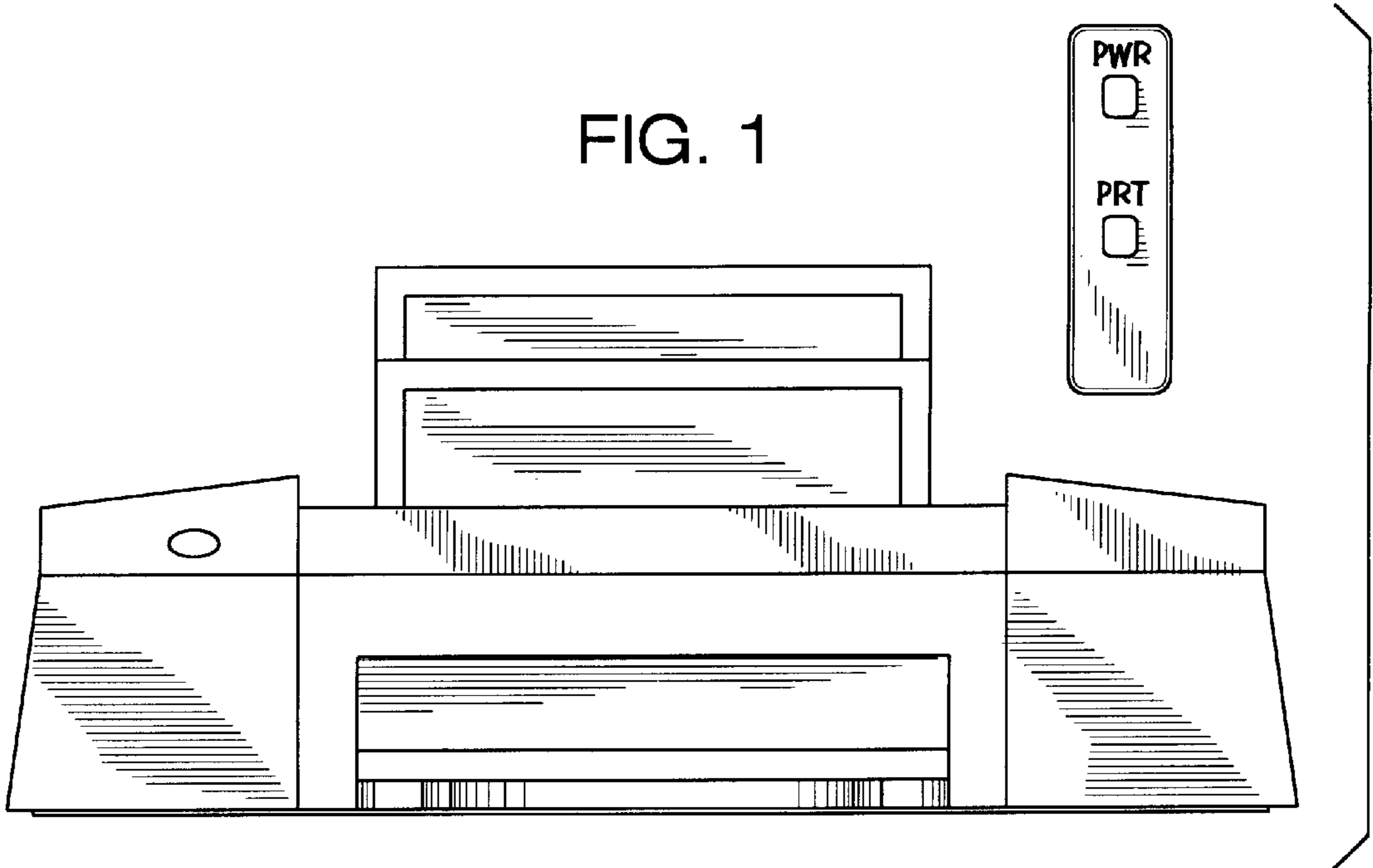
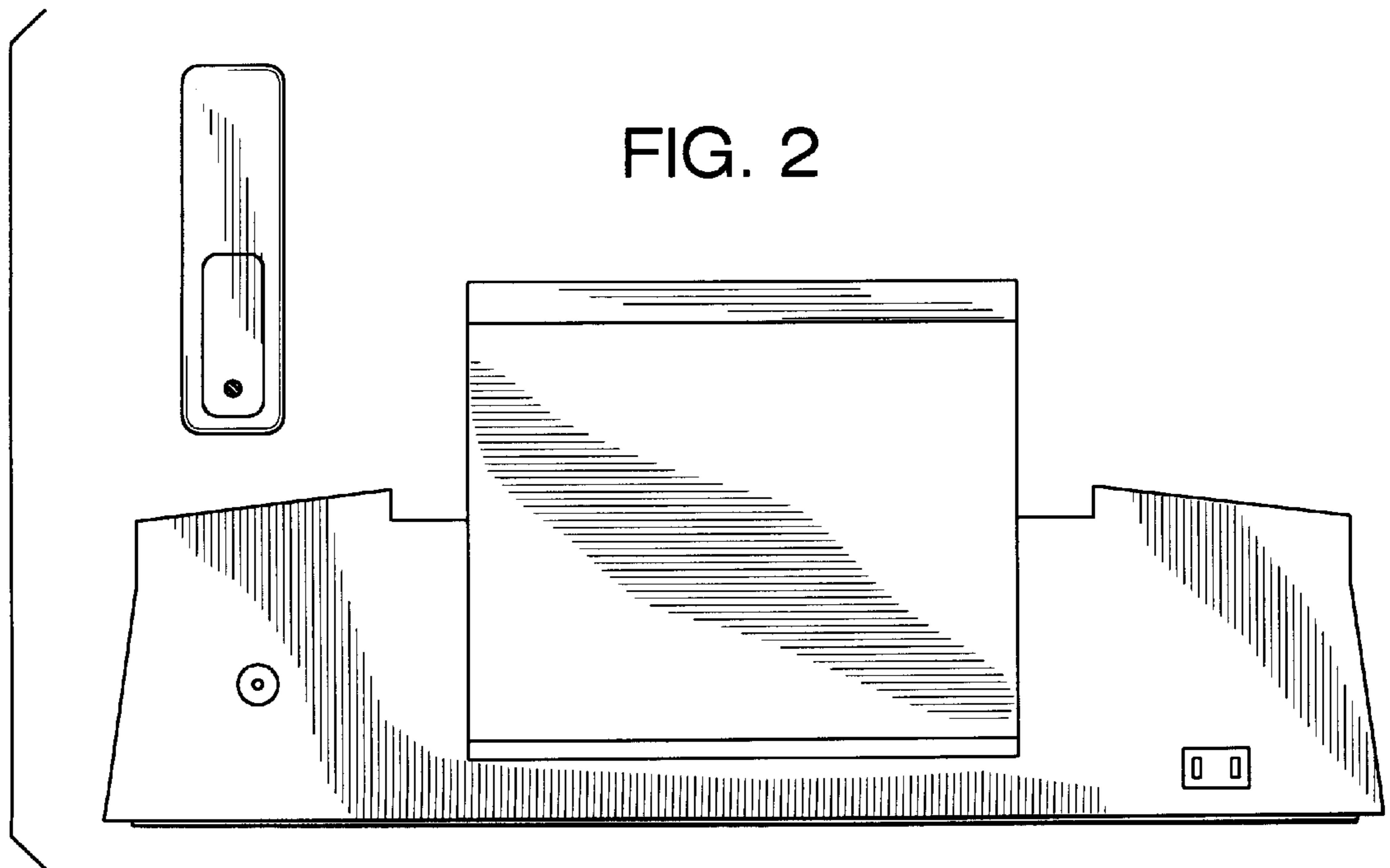


FIG. 2



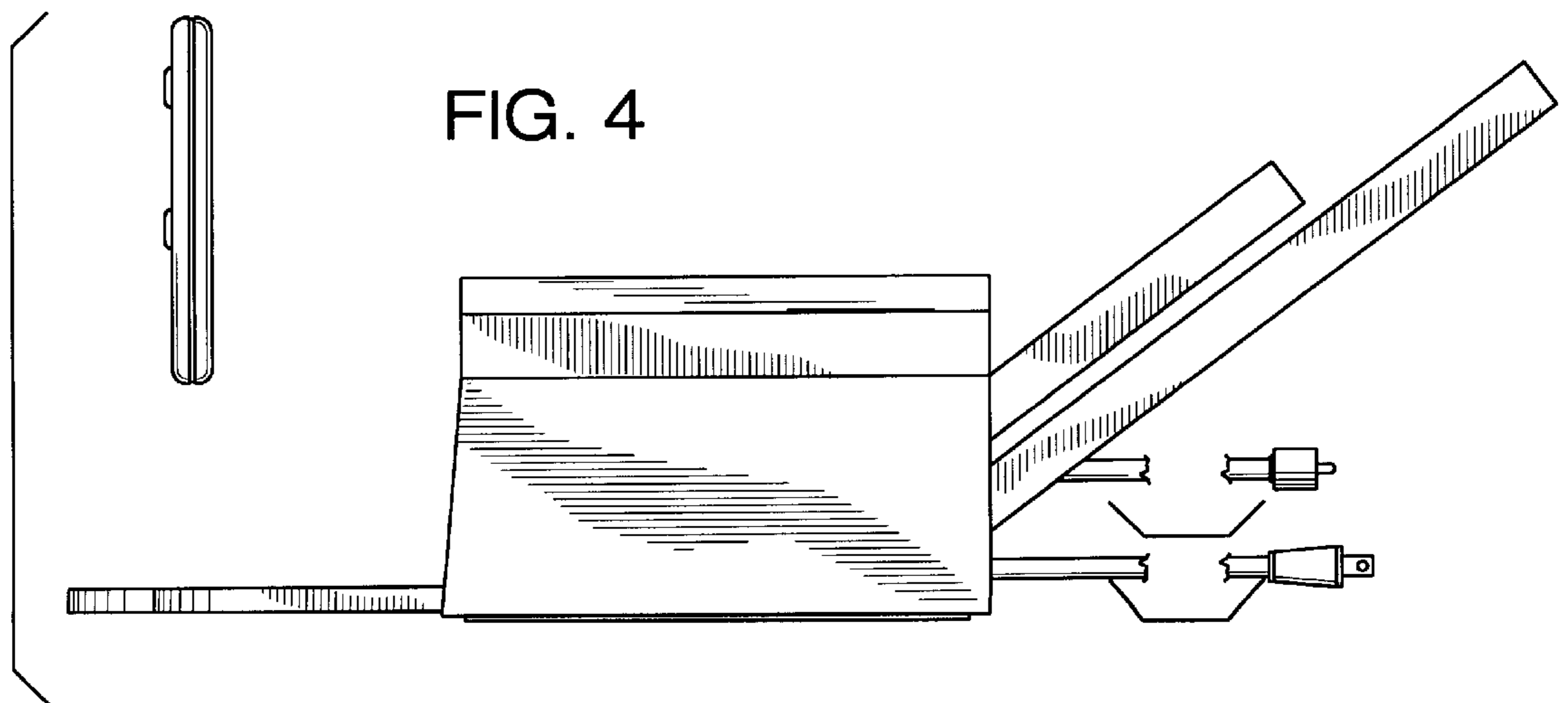
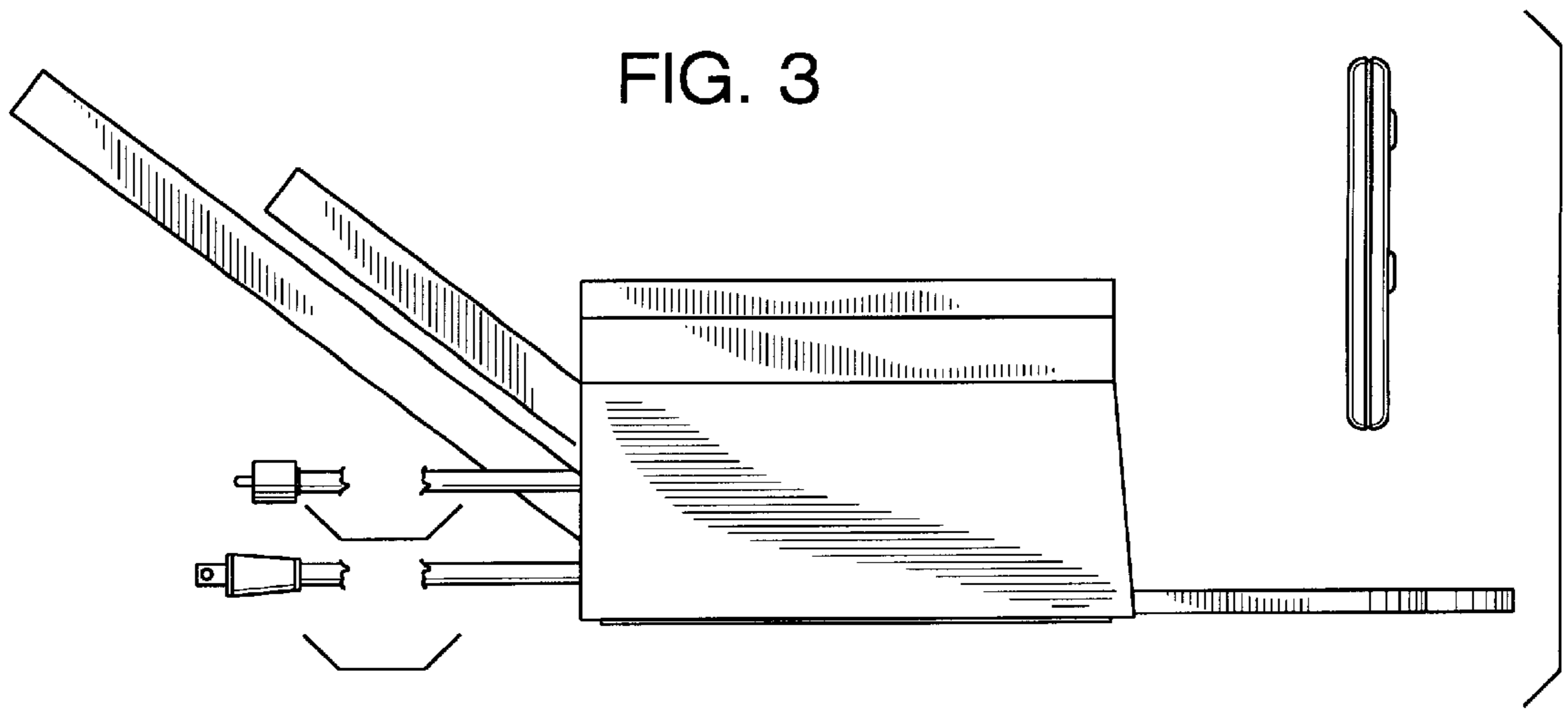


FIG. 5

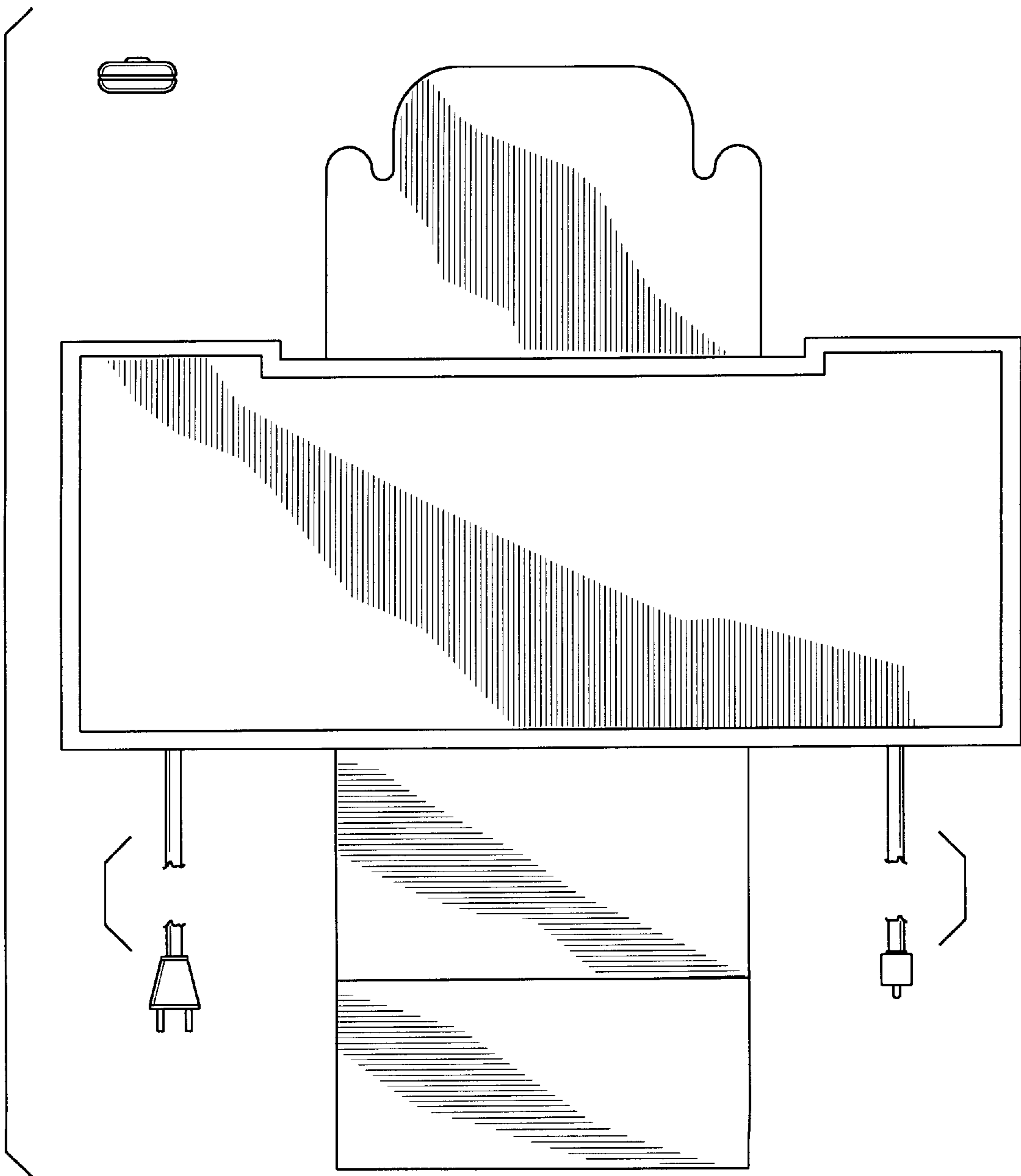


FIG. 6

