



US00D430891S

United States Patent [19] Faber

[11] **Patent Number: Des. 430,891**

[45] **Date of Patent: ** Sep. 12, 2000**

[54] **COMBINED STAMP AND INK PAD**

[75] Inventor: **Ernst Faber, Wels, Austria**

[73] Assignee: **COLOP Stempelerzeugung Skoper GmbH & Co. KG, Austria**

[**] Term: **14 Years**

[21] Appl. No.: **29/107,246**

[22] Filed: **Jun. 30, 1999**

[30] **Foreign Application Priority Data**

Dec. 30, 1998 [AT] Austria MU 5460/98

[51] **LOC (7) Cl. 19-03**

[52] **U.S. Cl. D18/15**

[58] **Field of Search D18/14-18; 101/327, 101/333, 334, 371, 379, 405**

[56] **References Cited**

U.S. PATENT DOCUMENTS

- D. 280,911 10/1985 Rhoades D18/15
- D. 304,732 11/1989 Hines D18/15
- D. 323,527 1/1992 Weir et al. D18/15
- D. 384,096 9/1997 Harden D18/15
- D. 391,983 3/1998 Yamaguchi D18/15

- D. 412,181 7/1999 Harden D18/14
- D. 417,232 11/1999 Harden D18/14
- 4,432,281 2/1984 Wall et al. .
- 5,855,170 1/1999 Shih 101/327

FOREIGN PATENT DOCUMENTS

001 129 U1 11/0000 Austria .

Primary Examiner—Louis S. Zarfaz

Assistant Examiner—G Andoll

Attorney, Agent, or Firm—Baker Botts L.L.P.

[57] **CLAIM**

The ornamental design for a combined stamp and ink pad, as shown and described.

DESCRIPTION

FIG. 1 is a three-quarter front pictorial view of an embodiment of a combined stamp and ink pad according to the new design;

FIG. 2 is a front elevational view of the embodiment;

FIG. 3 is a rear elevational view of the embodiment;

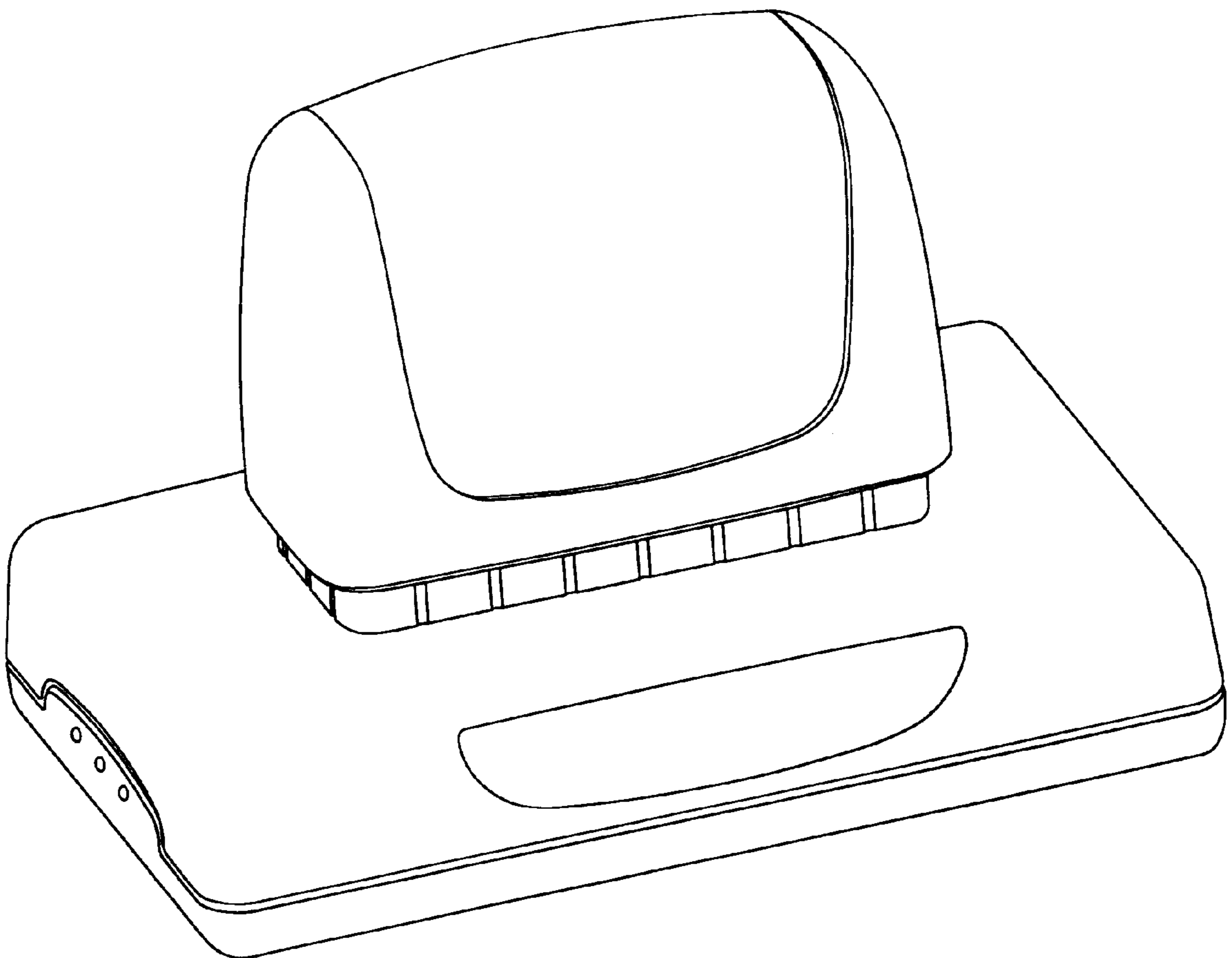
FIG. 4 is a left side elevational view of the embodiment;

FIG. 5 is a right side elevational view of the embodiment;

FIG. 6 is a top plan view of the embodiment; and,

FIG. 7 is a bottom plan view of the embodiment.

1 Claim, 3 Drawing Sheets



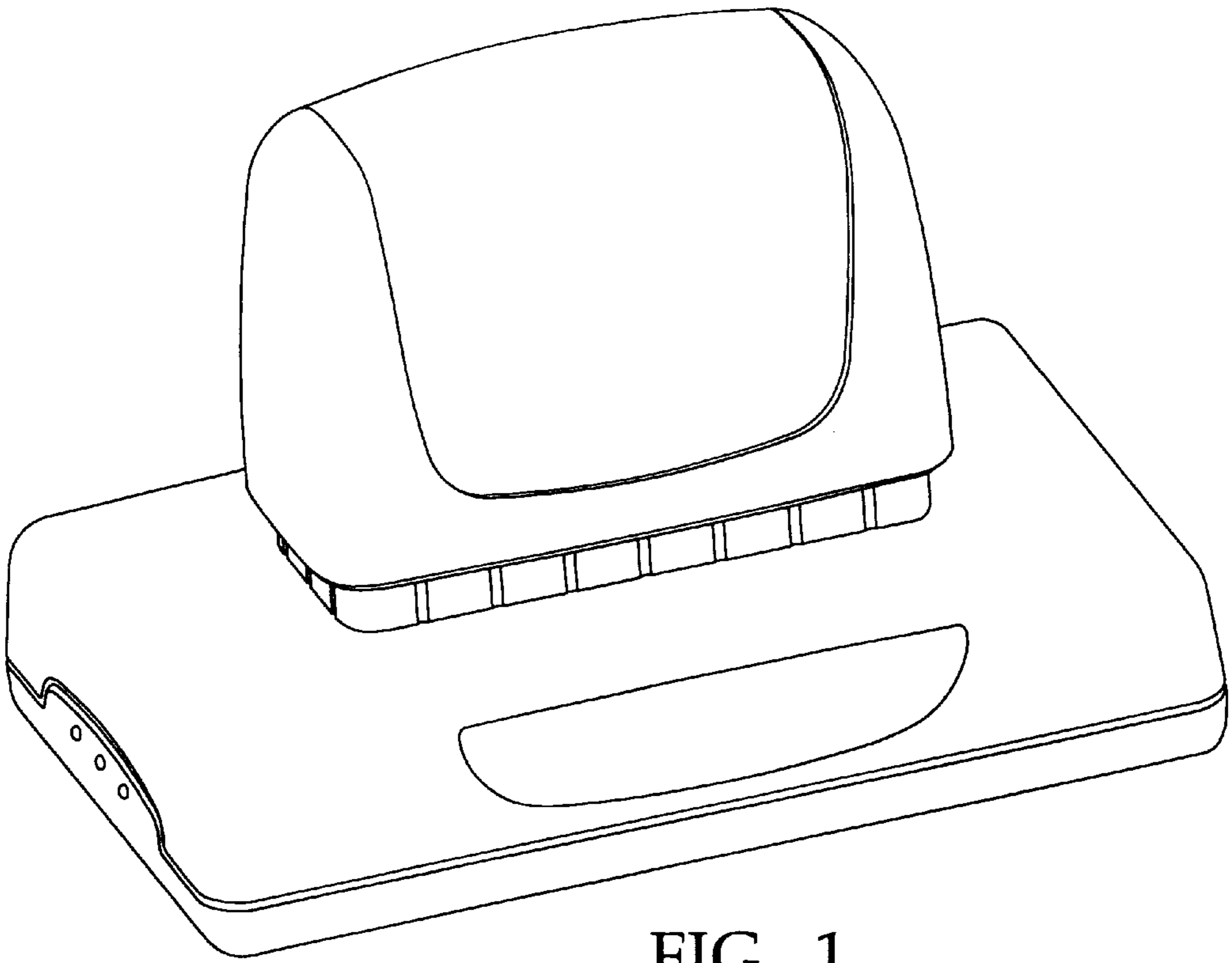


FIG. 1

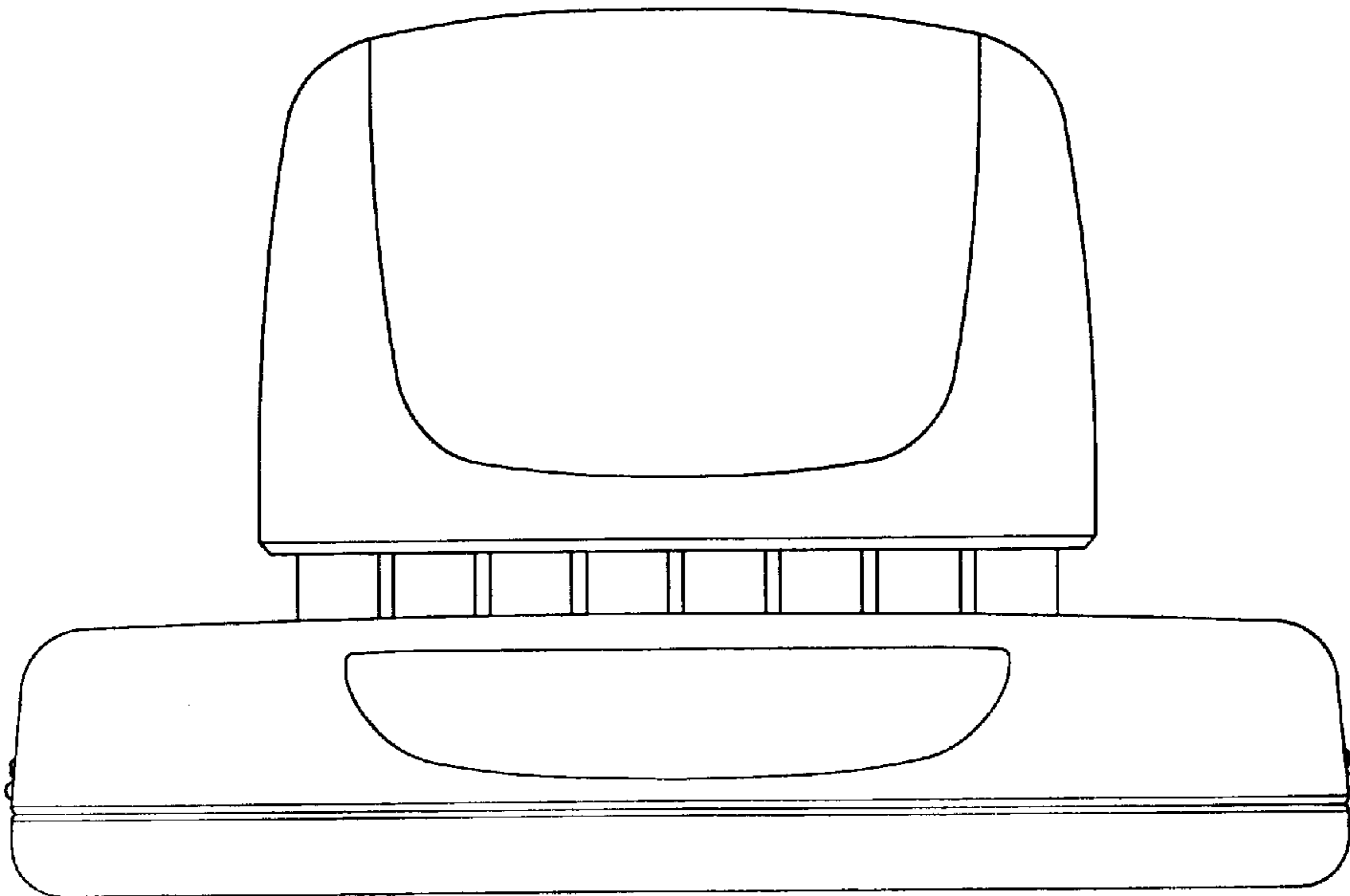


FIG. 2

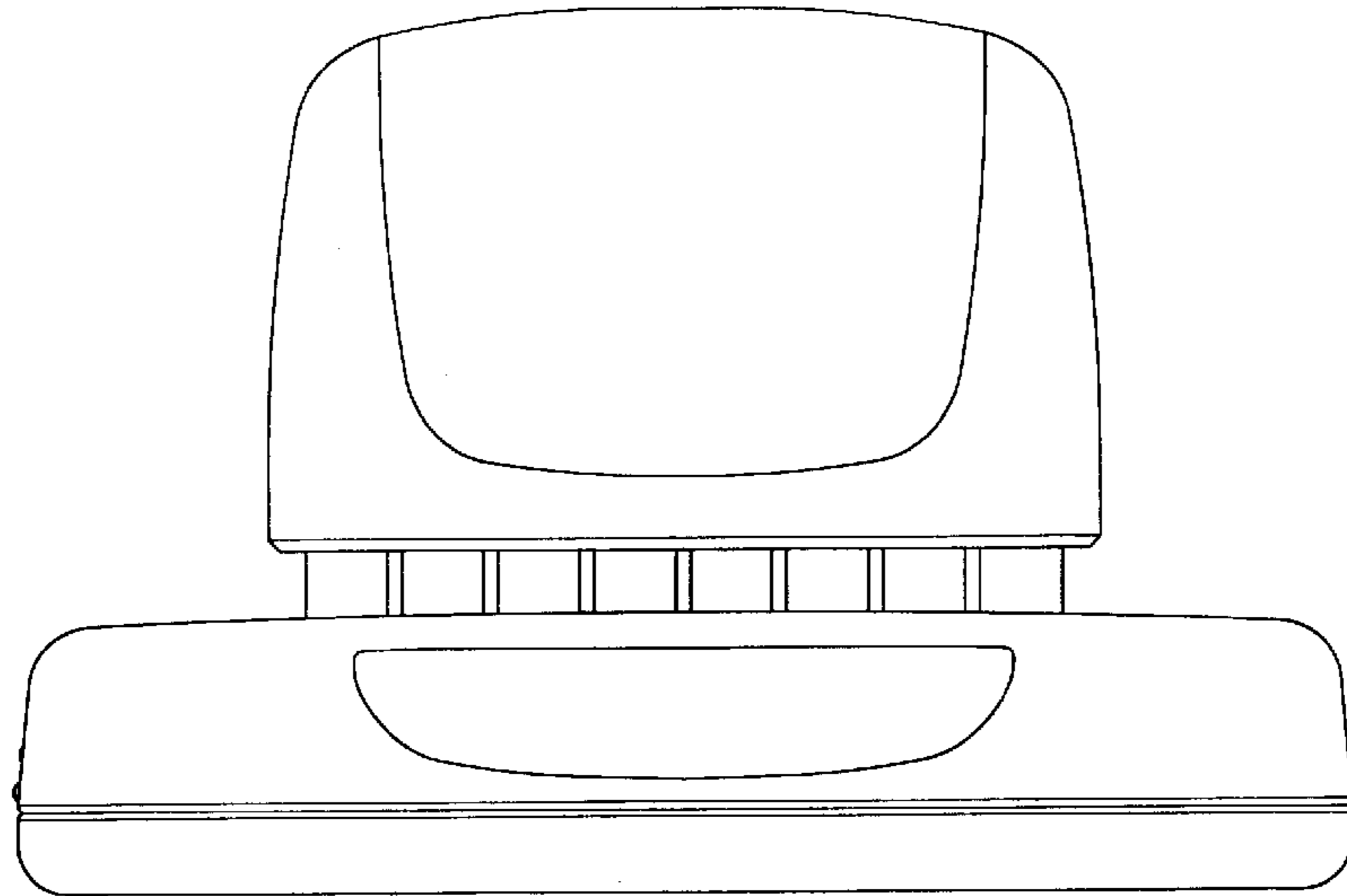


FIG. 3

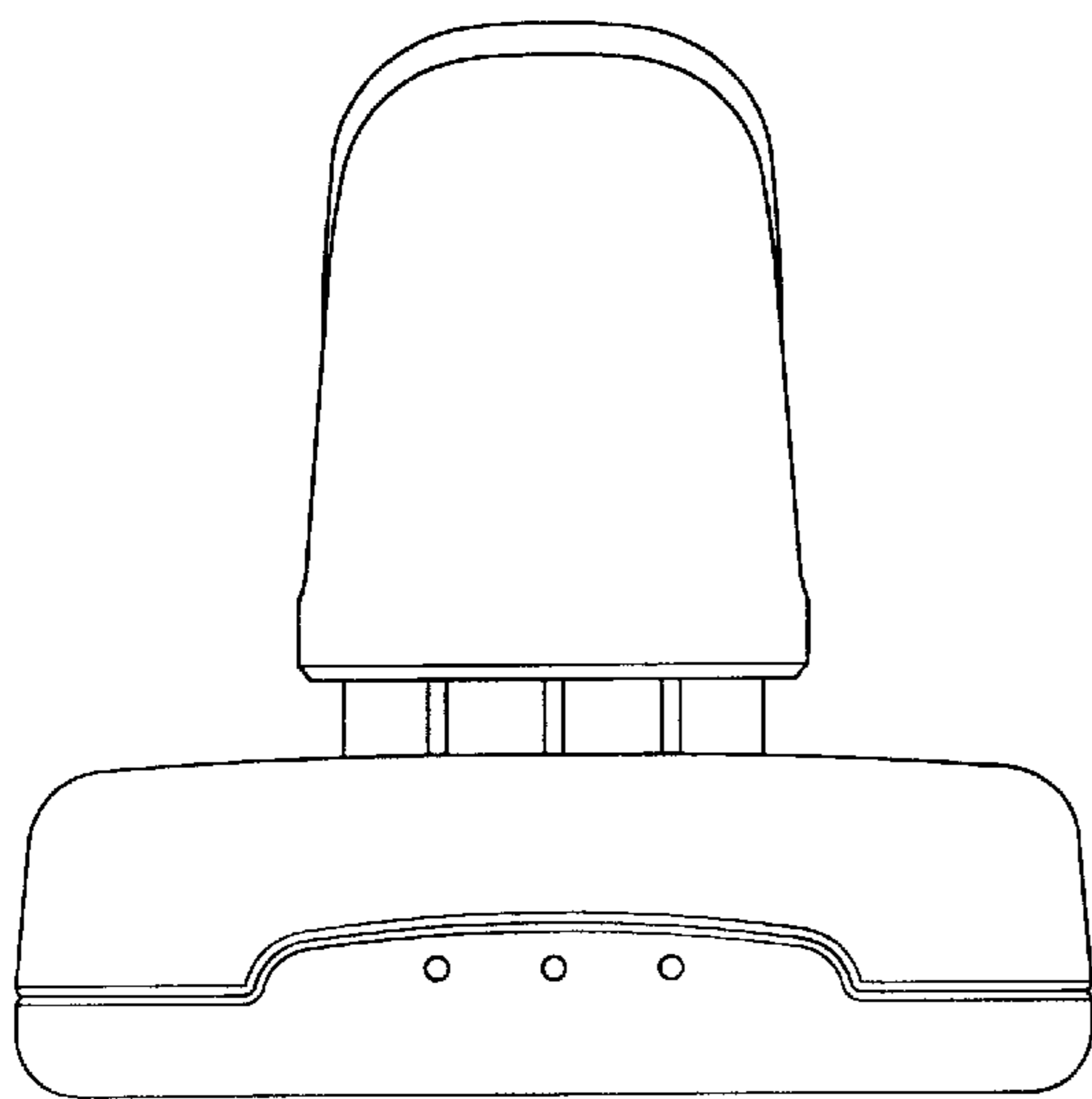


FIG. 4

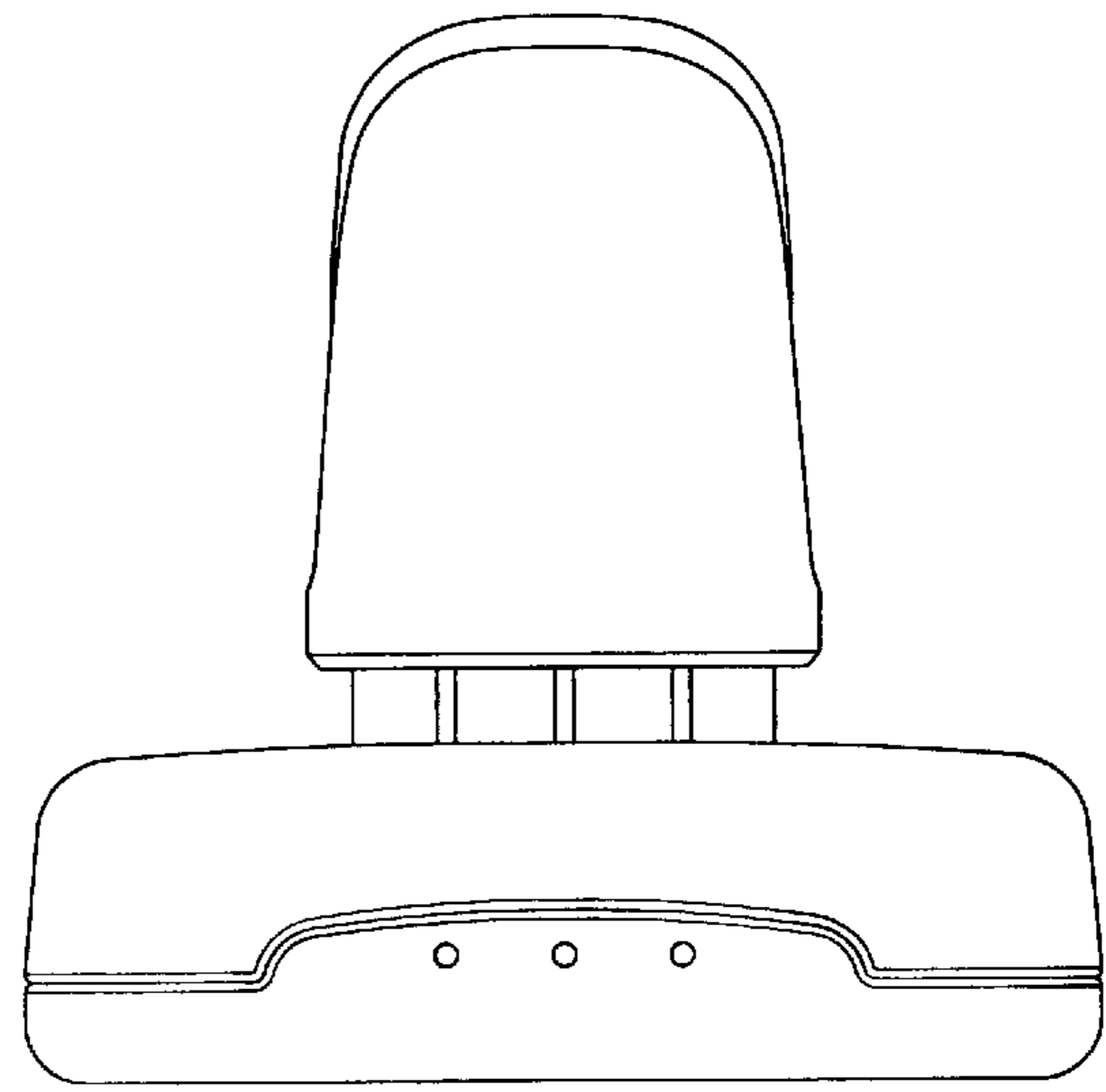


FIG. 5

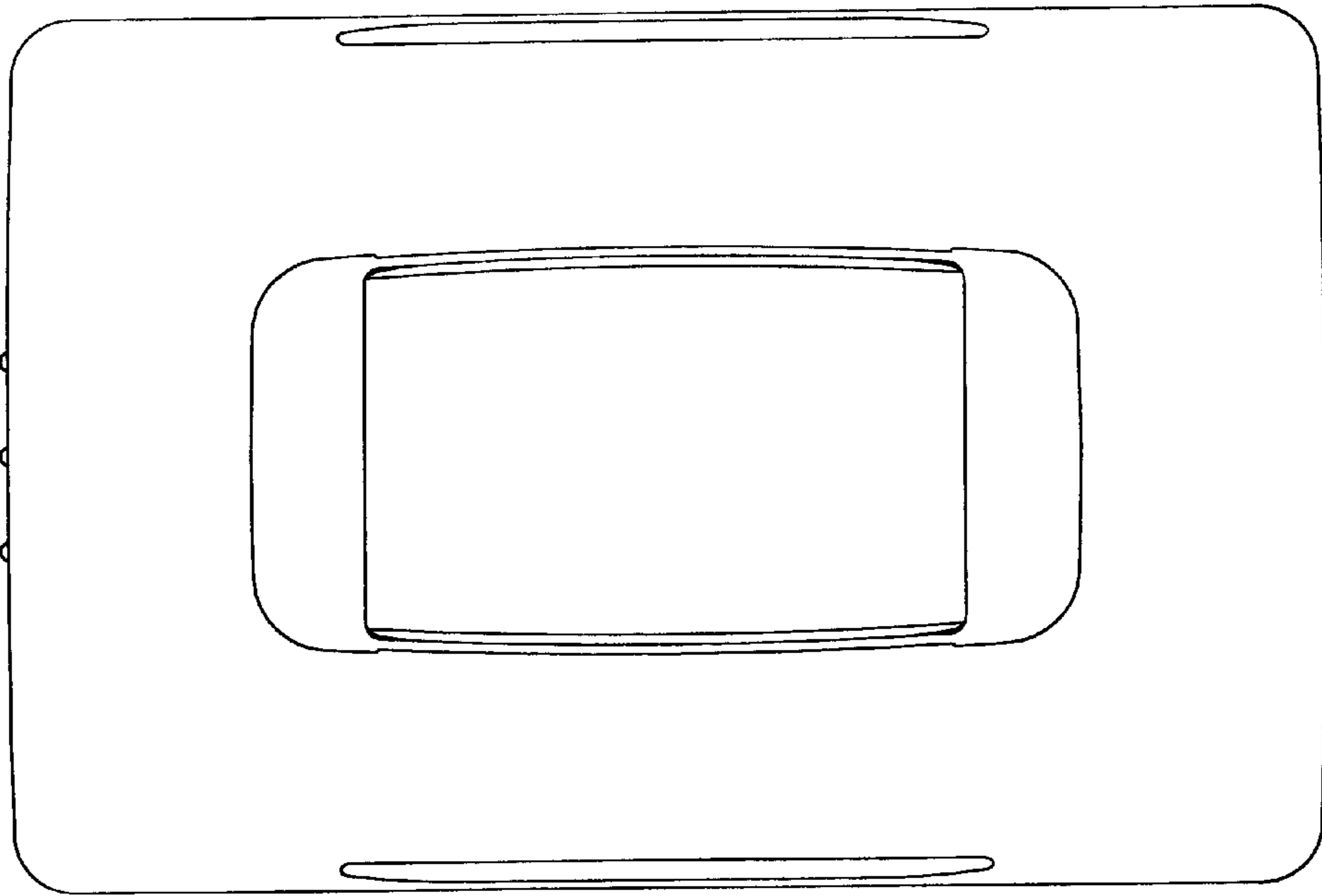


FIG. 6

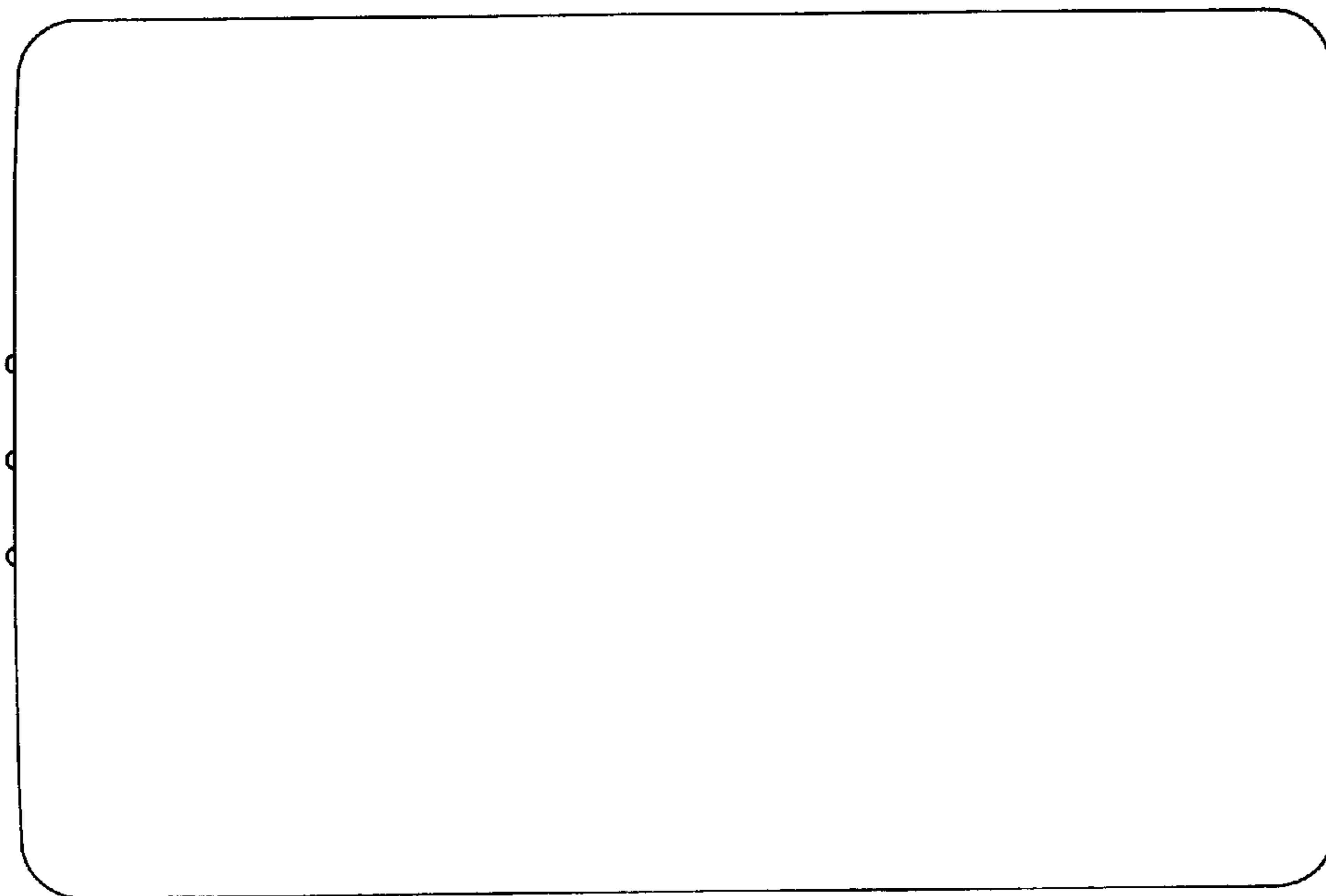


FIG. 7