



US00D430889S

United States Patent [19] Nihei

[11] Patent Number: **Des. 430,889**

[45] Date of Patent: **** Sep. 12, 2000**

[54] CAMERA

[75] Inventor: **Kazuhiro Nihei**, Tokyo, Japan

[73] Assignee: **Konica Corporation**, Tokyo, Japan

[**] Term: **14 Years**

[21] Appl. No.: **29/111,566**

[22] Filed: **Sep. 30, 1999**

[30] Foreign Application Priority Data

Apr. 5, 1999 [JP] Japan 11-8808

[51] LOC (7) Cl. **16-01**

[52] U.S. Cl. **D16/209; D16/218**

[58] Field of Search D16/200-205,
D16/208, 209, 216, 217, 218; 396/535-541

[56] References Cited

U.S. PATENT DOCUMENTS

D. 335,297 5/1993 Kawagoe D16/208

D. 399,227 10/1998 Chapman et al. D16/209

D. 404,751 1/1999 Takaba D16/209

D. 415,512 10/1999 Takaba D16/209

D. 418,529 1/2000 Nihei et al. D16/208

5,619,295 4/1997 Seya et al. 396/535

Primary Examiner—Adir Aronovich
Attorney, Agent, or Firm—Frishauf, Holtz, Goodman,
Langer & Chick, P.C.

[57] CLAIM

The ornamental design for a camera, as shown.

DESCRIPTION

FIG. 1 is a front elevational view of a camera showing my new design;

FIG. 2 is a left-side view thereof;

FIG. 3 is a right-side view thereof;

FIG. 4 is a rear elevational view thereof;

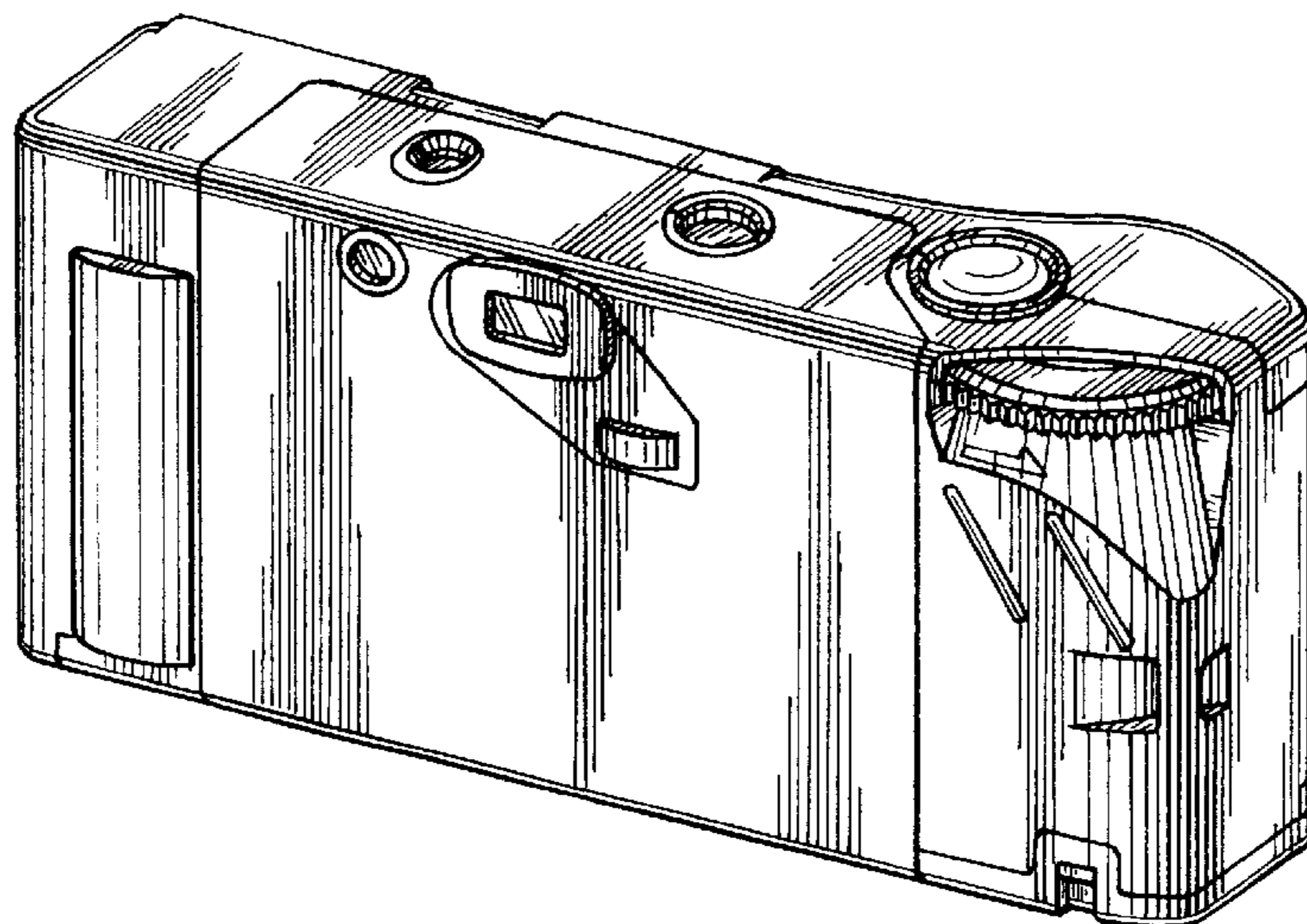
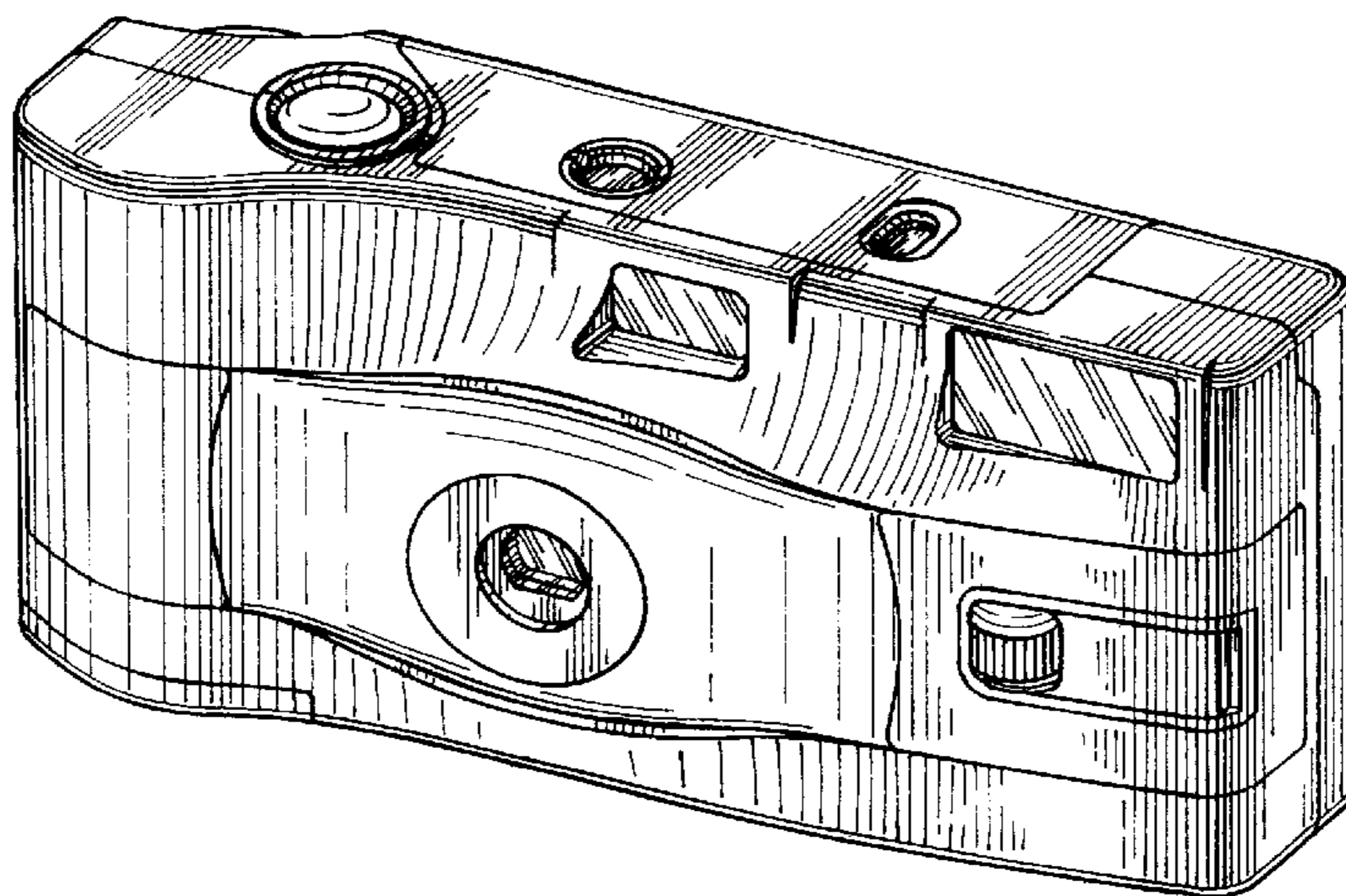
FIG. 5 is a top plan view thereof;

FIG. 6 is a bottom plan view thereof;

FIG. 7 is a front, top, right-side perspective view thereof; and,

FIG. 8 is a rear, top, left-side perspective view thereof.

1 Claim, 2 Drawing Sheets



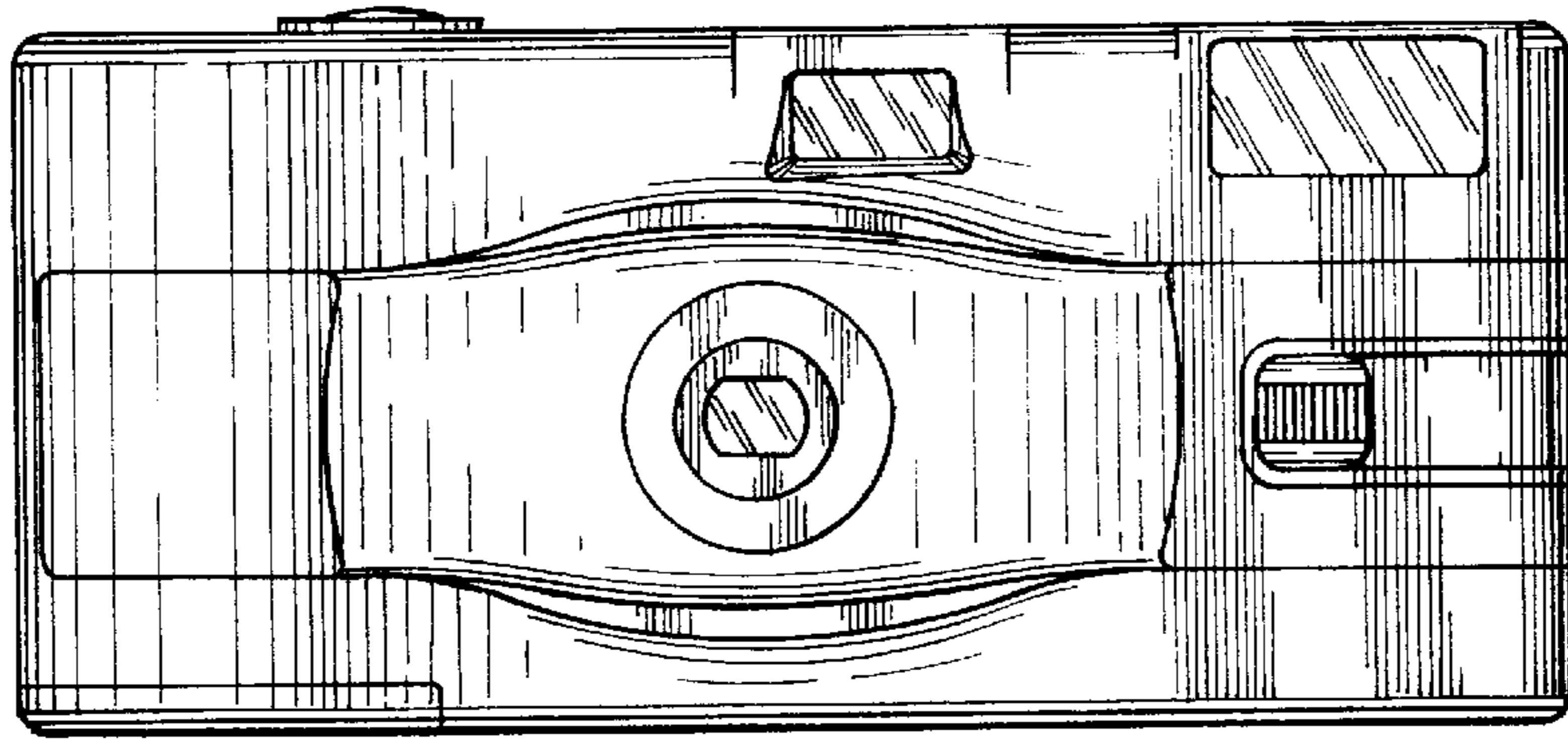


Fig. 1

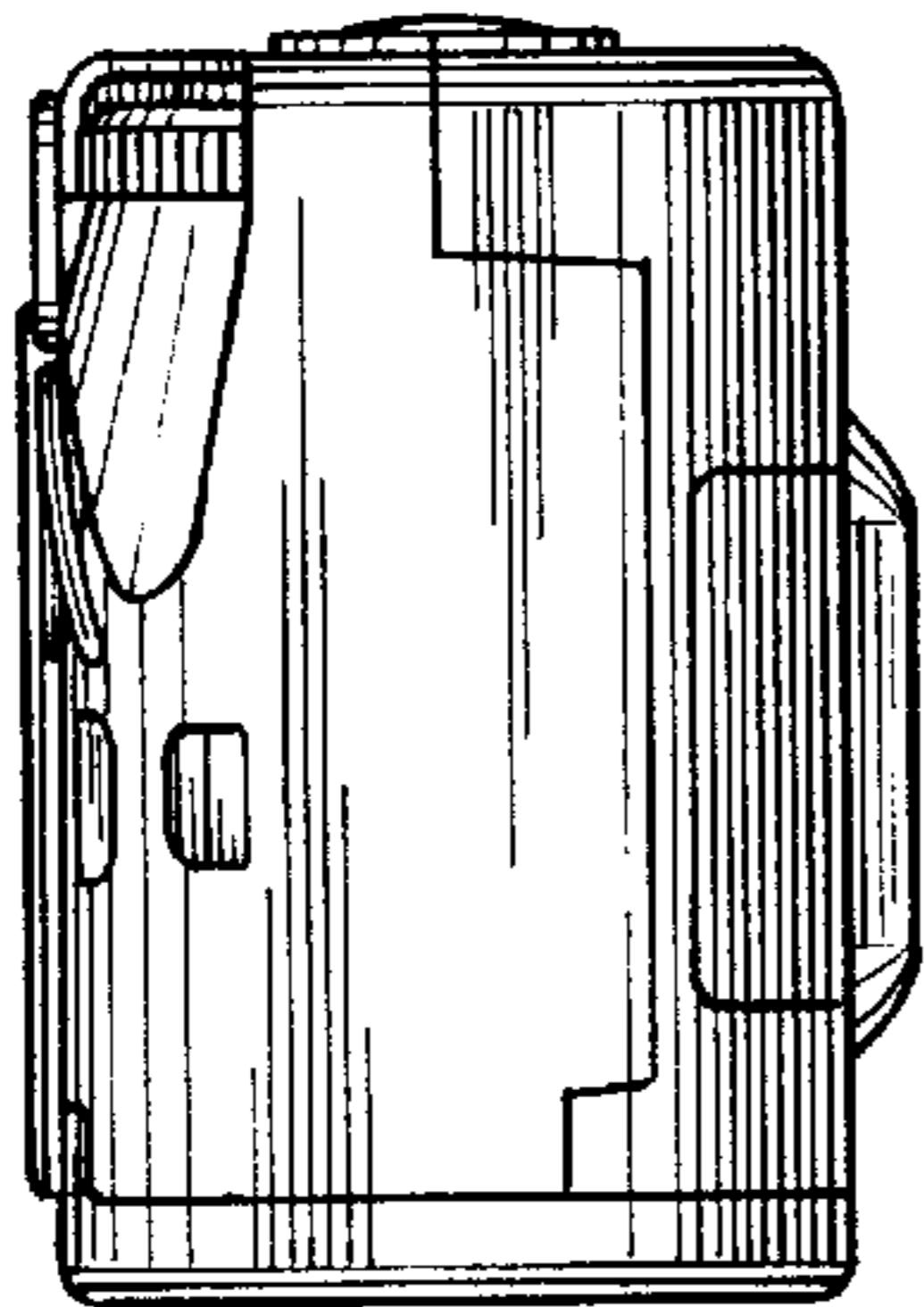


Fig. 2

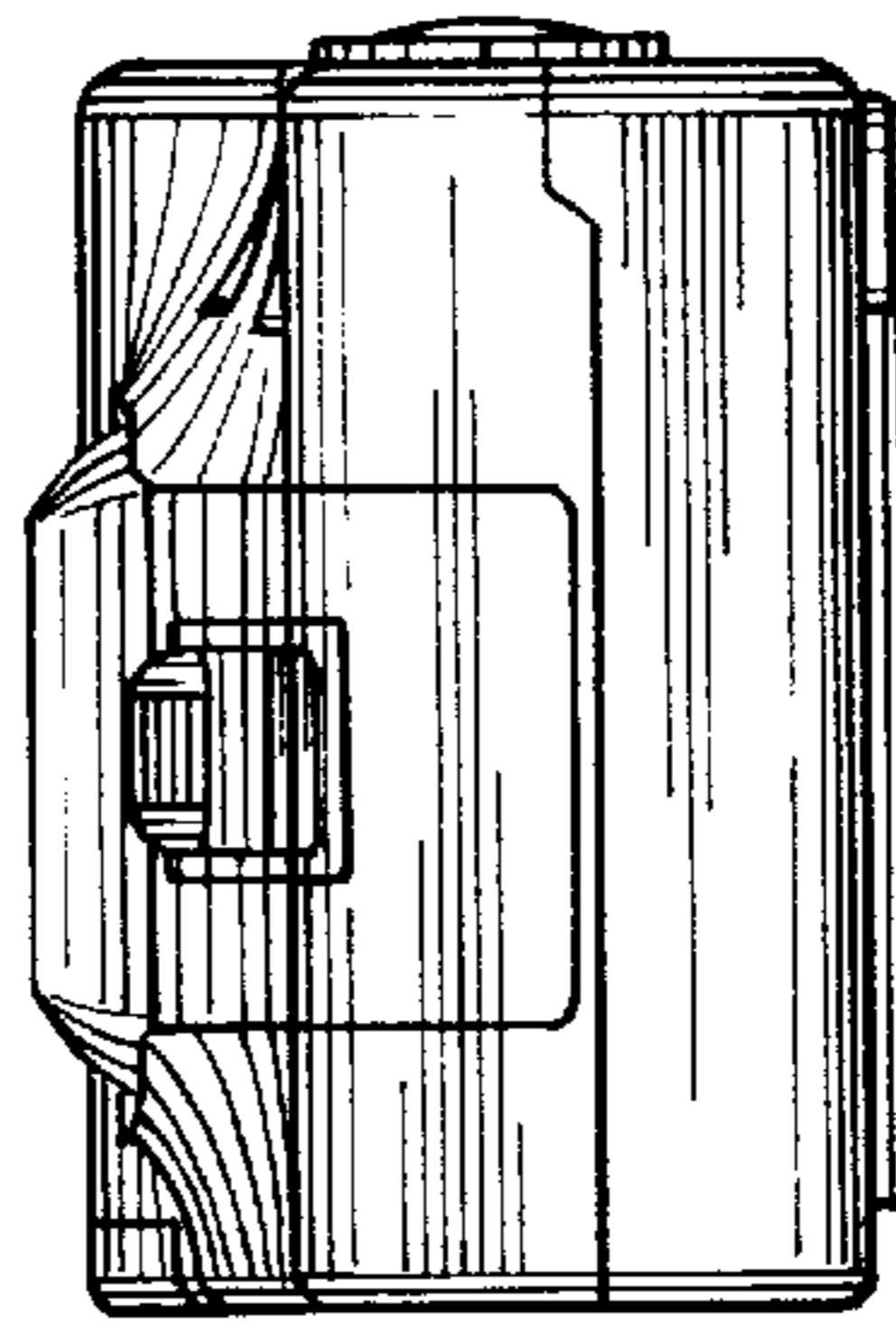


Fig. 3

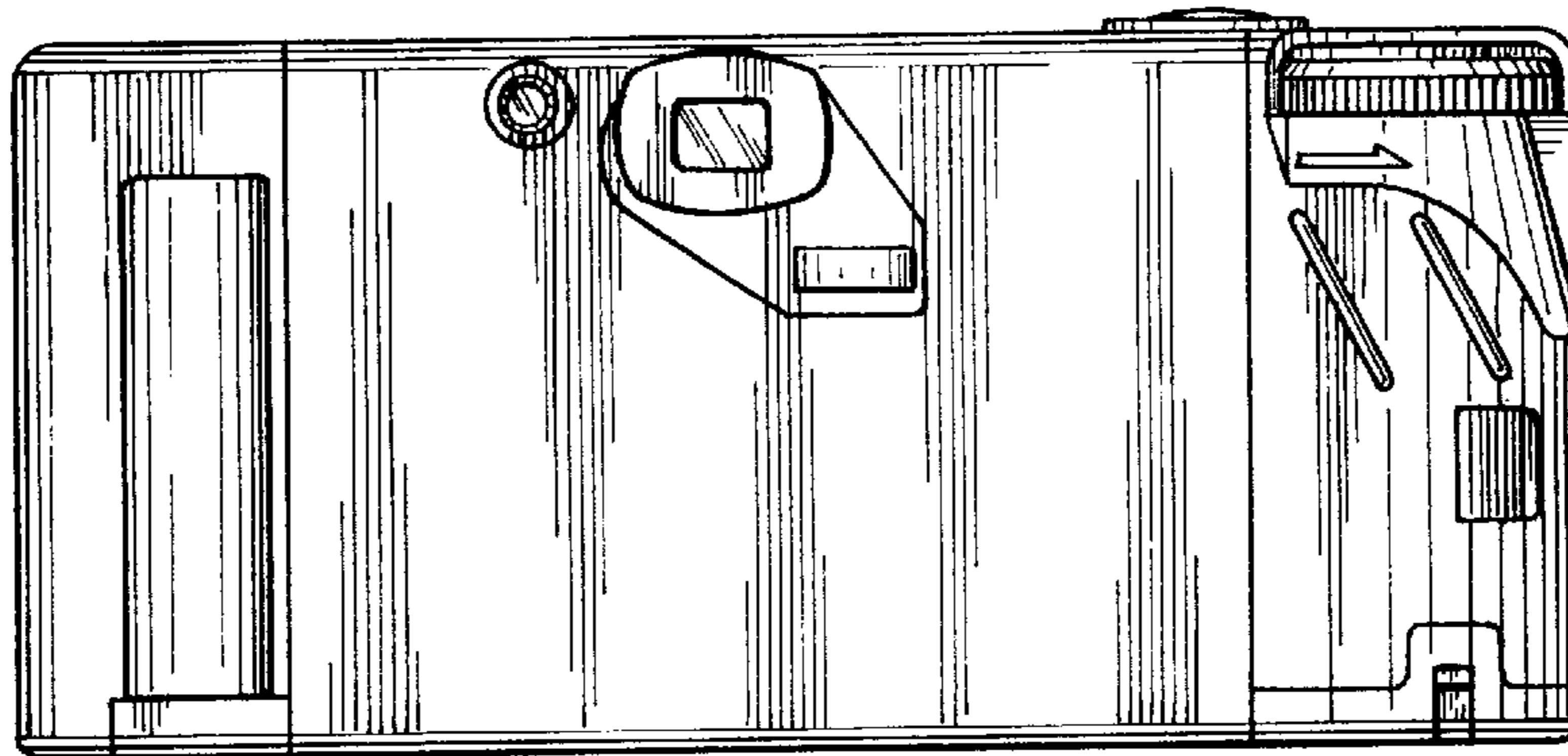


Fig. 4

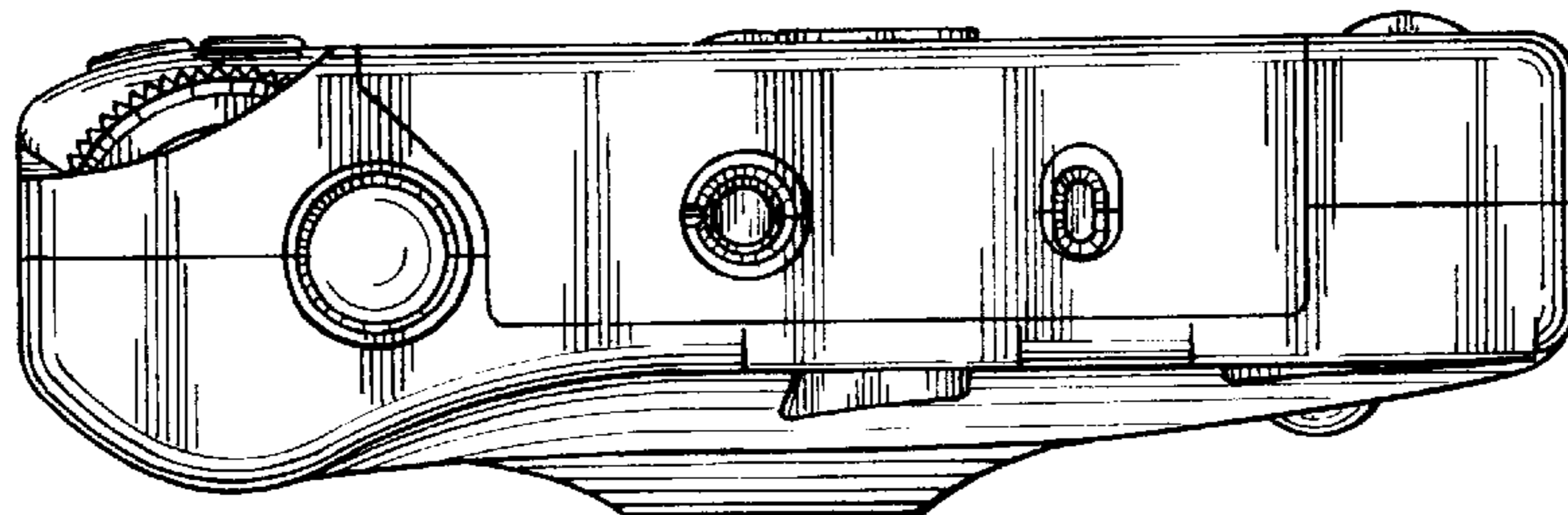


Fig. 5

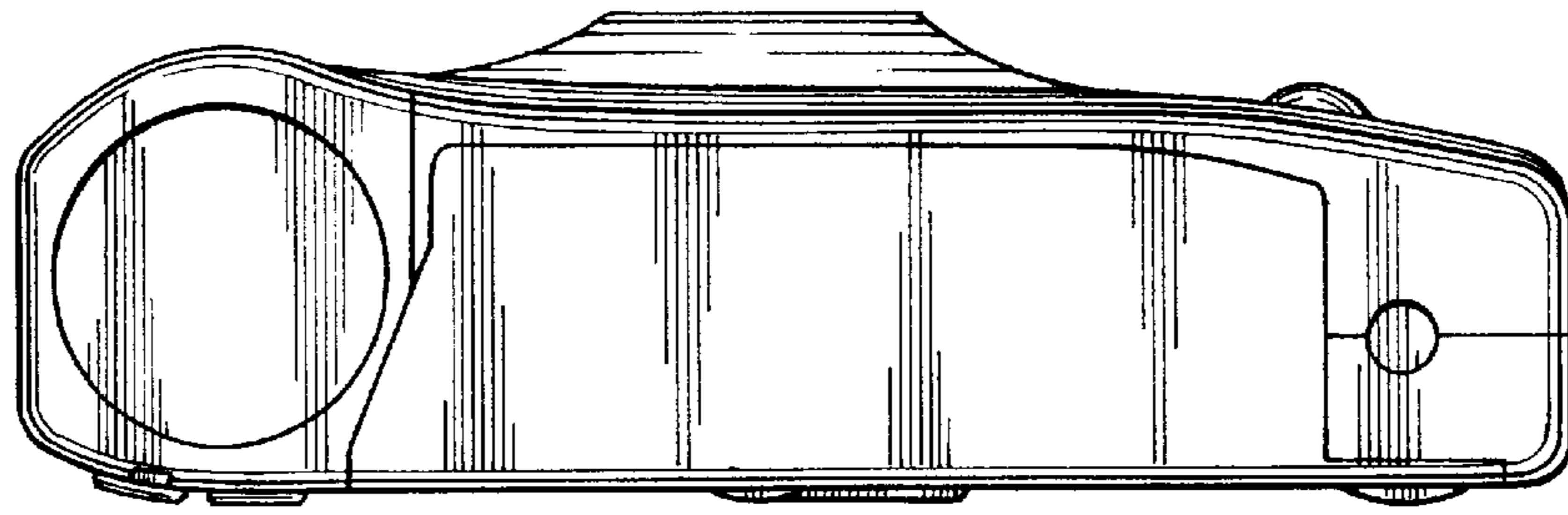


Fig. 6

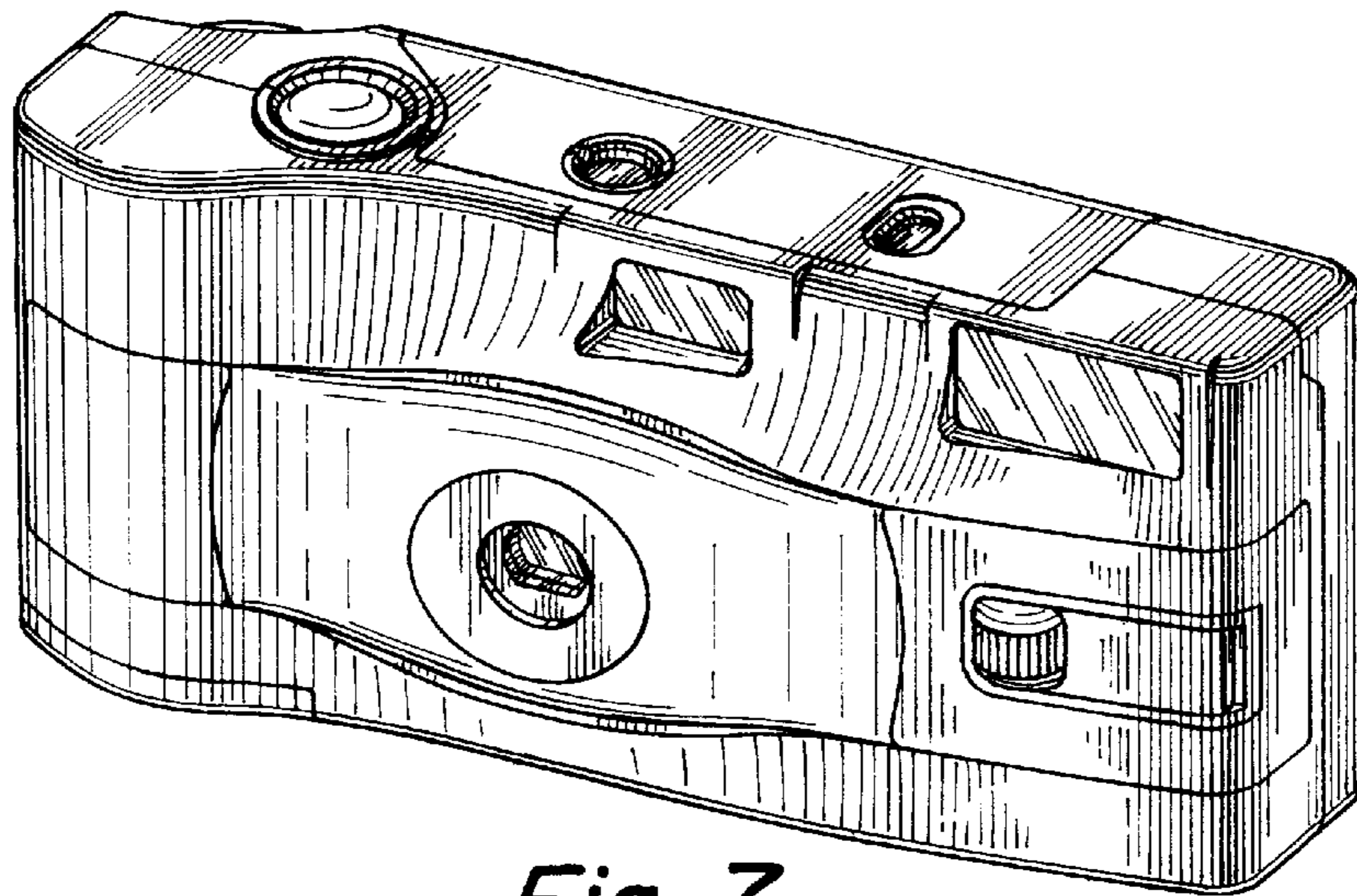


Fig. 7

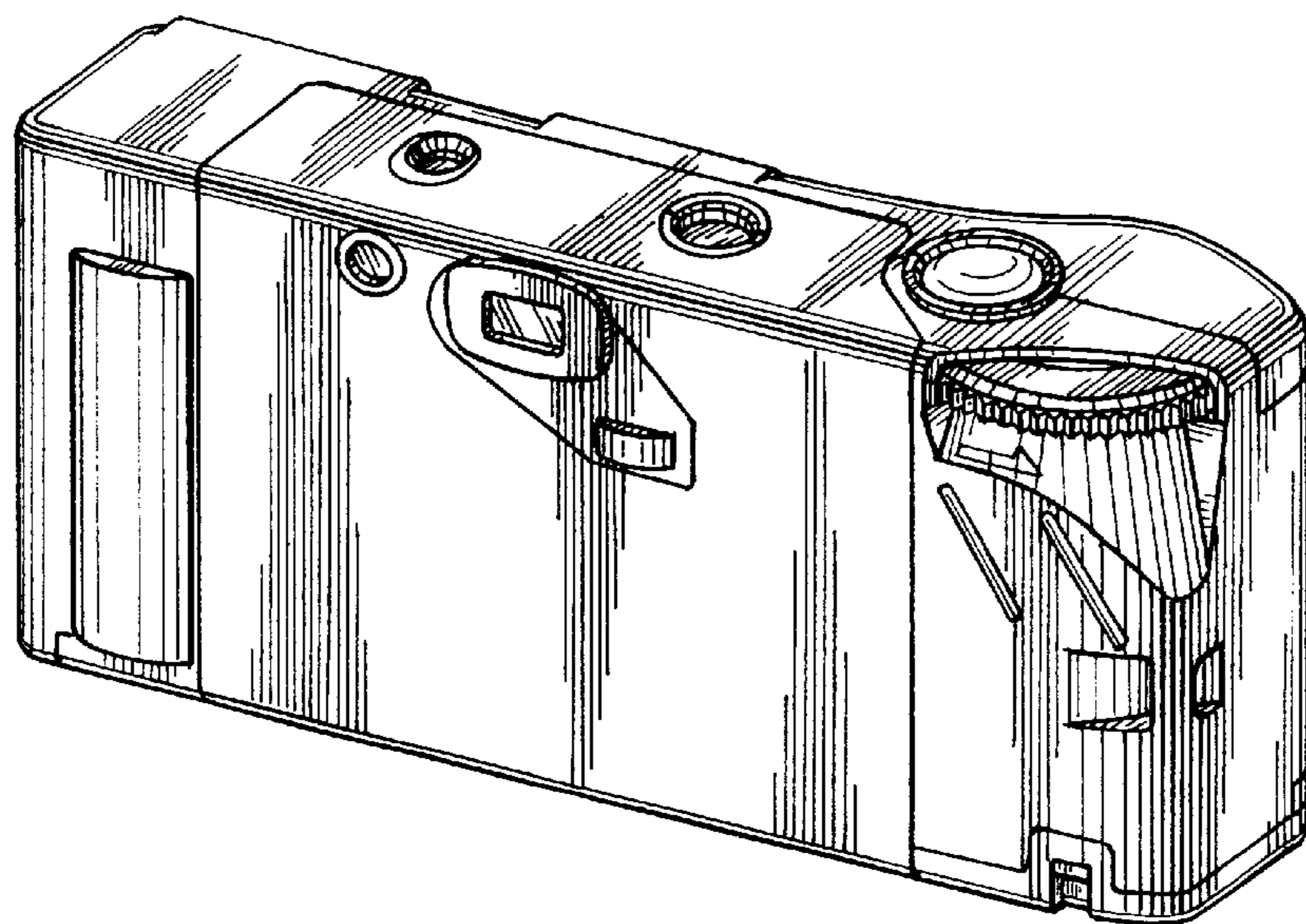


Fig. 8