



US00D430888S

United States Patent [19]

Adachi et al.

[11] Patent Number: **Des. 430,888**

[45] Date of Patent: **** Sep. 12, 2000**

[54] **SURVEILLANCE CAMERA**

[75] Inventors: **Tomoyuki Adachi**, Konan; **Tetsuro Kato**, Nagoya, both of Japan

[73] Assignee: **Elmo Company, Limited**, Japan

[**] Term: **14 Years**

[21] Appl. No.: **29/116,441**

[22] Filed: **Dec. 29, 1999**

[30] Foreign Application Priority Data

Jun. 30, 1999 [JP] Japan 11-17490

[51] **LOC (7) Cl.** **16-01**

[52] **U.S. Cl.** **D16/203**

[58] **Field of Search** D16/200-205,
D16/208, 218; 348/373-376, 143; 396/25-28,
427, 433

[56] References Cited

U.S. PATENT DOCUMENTS

D. 378,095 2/1997 Hasegawa D16/203

D. 411,217	6/1999	McBride	D16/204
D. 418,152	12/1999	McBride	D16/204
D. 418,853	1/2000	Kubota	D16/203
4,028,730	6/1977	Miller	348/373
4,335,944	6/1982	Marshall	396/28
5,287,133	2/1994	Bohley	396/28

Primary Examiner—Adir Aronovich
Attorney, Agent, or Firm—Ostrolenk, Faber, Gerb & Soffen, LLP

[57] CLAIM

The ornamental design for a surveillance camera, as shown.

DESCRIPTION

FIG. 1 is a front view of the surveillance camera embodying our new design;
FIG. 2 is a rear view thereof;
FIG. 3 is a left side view thereof;
FIG. 4 is a right side view thereof;
FIG. 5 is a bottom side view thereof;
FIG. 6 is a top plane view thereof; and,
FIG. 7 is a perspective view as seen from the top and front of FIG. 1.

1 Claim, 7 Drawing Sheets

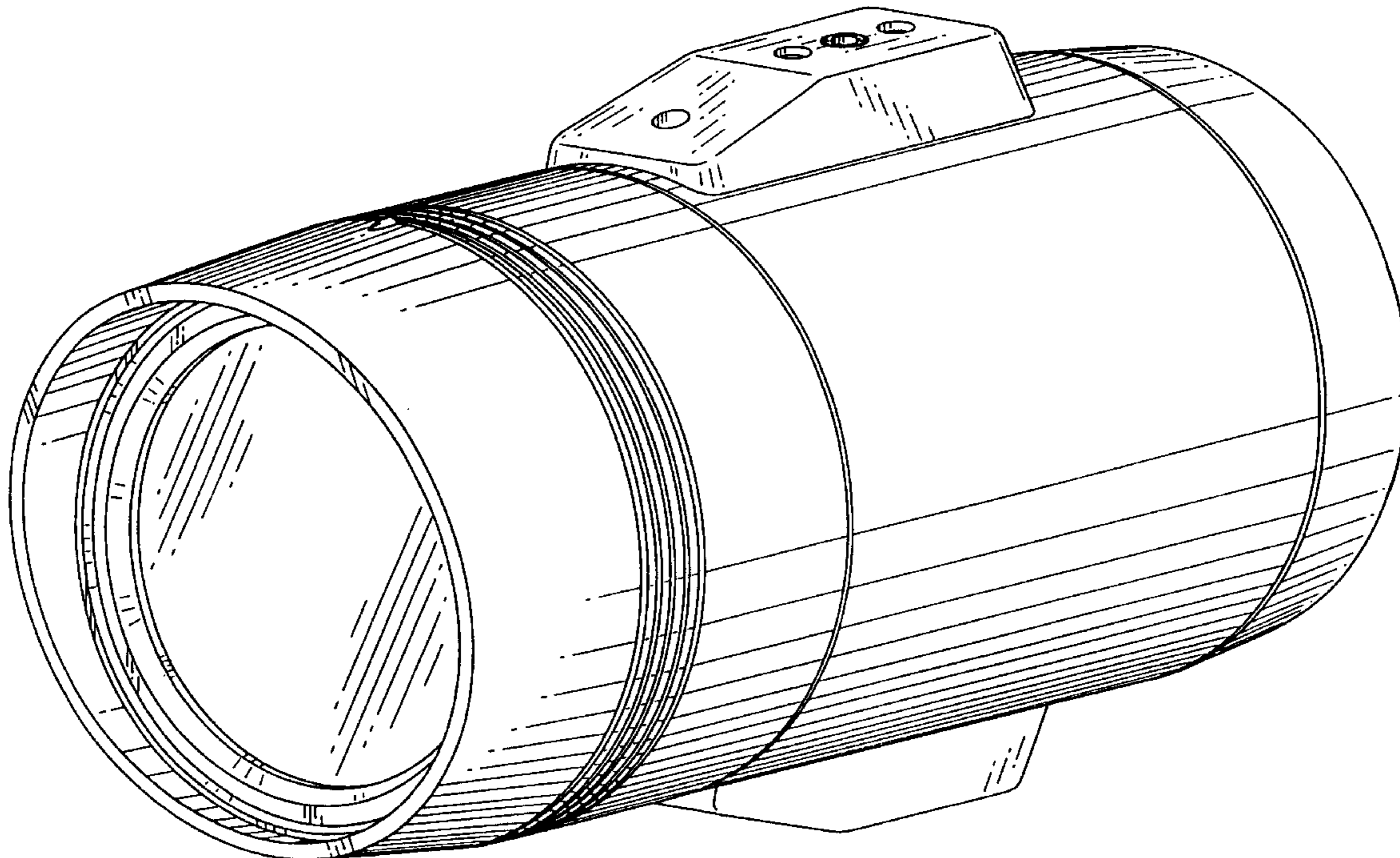


Fig. 1

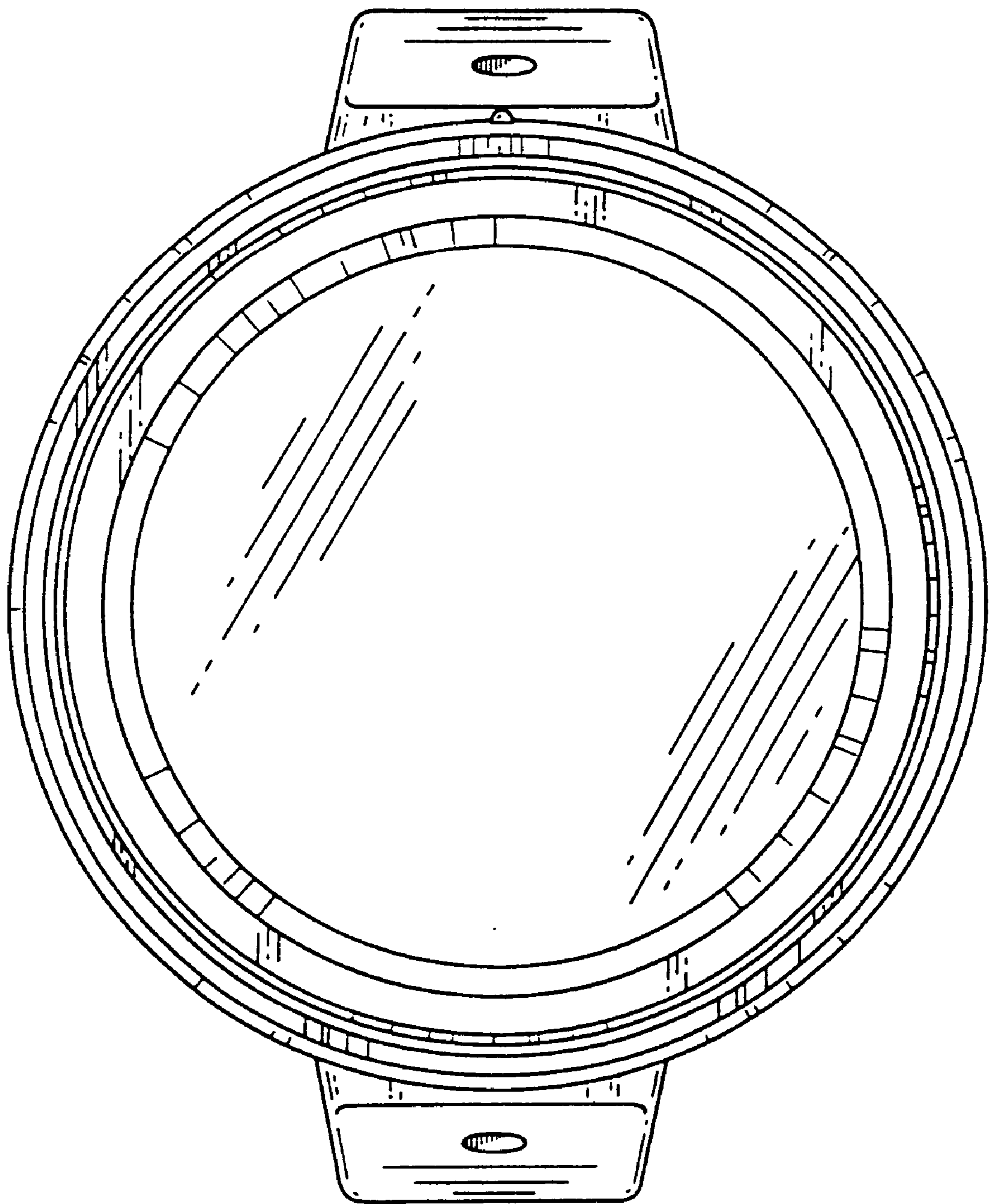
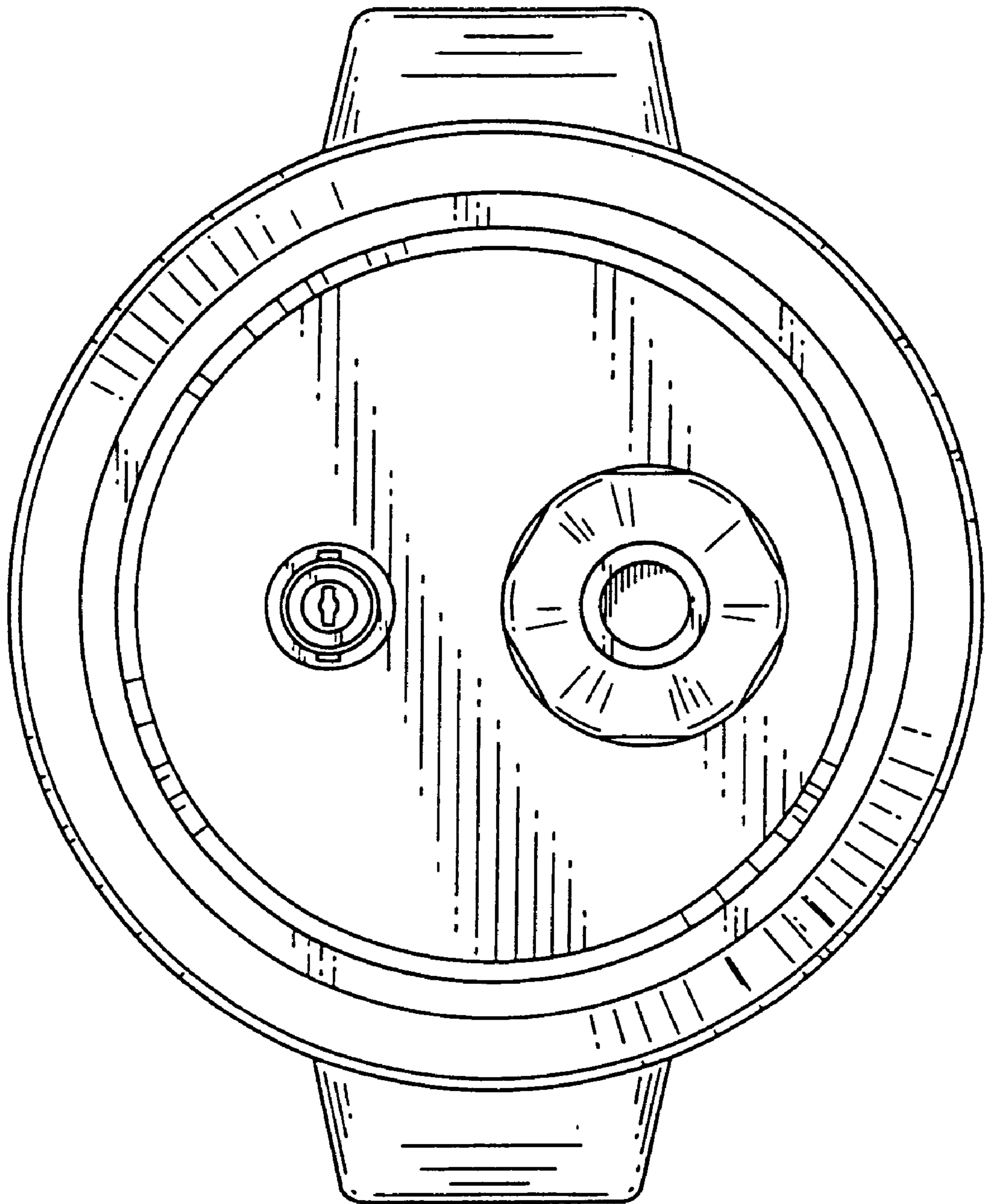


Fig. 2



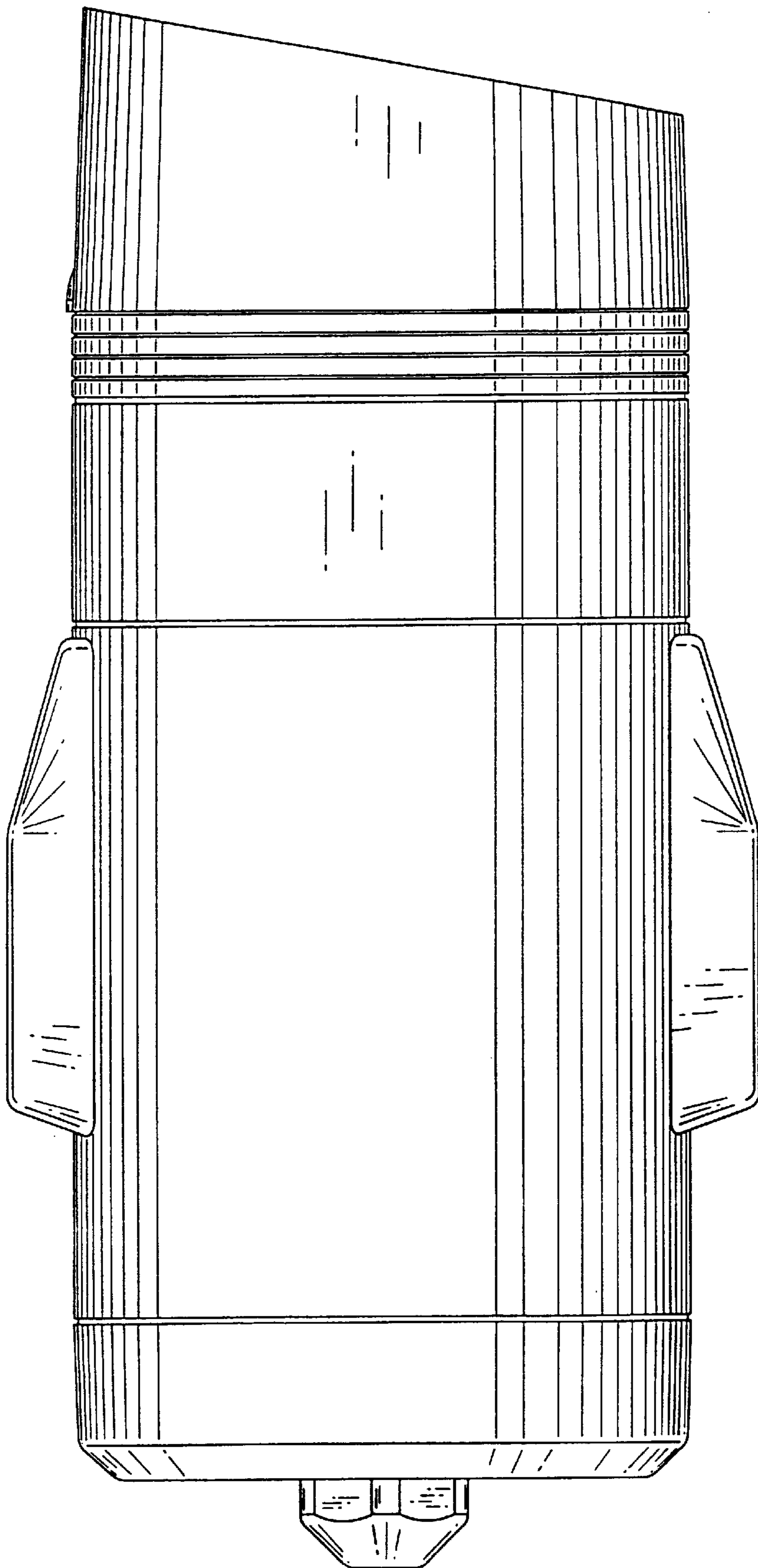


Fig. 3

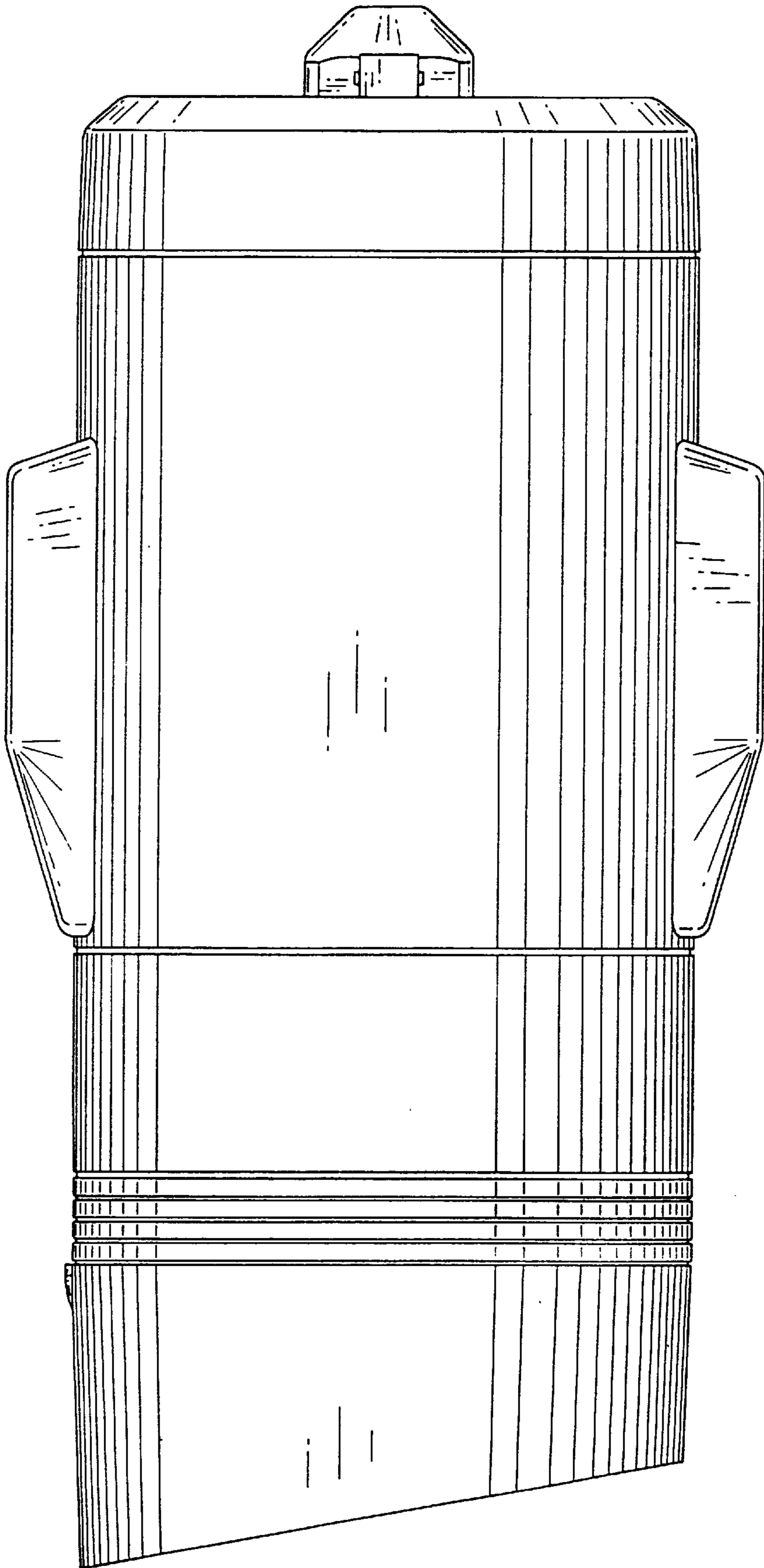


Fig. 4

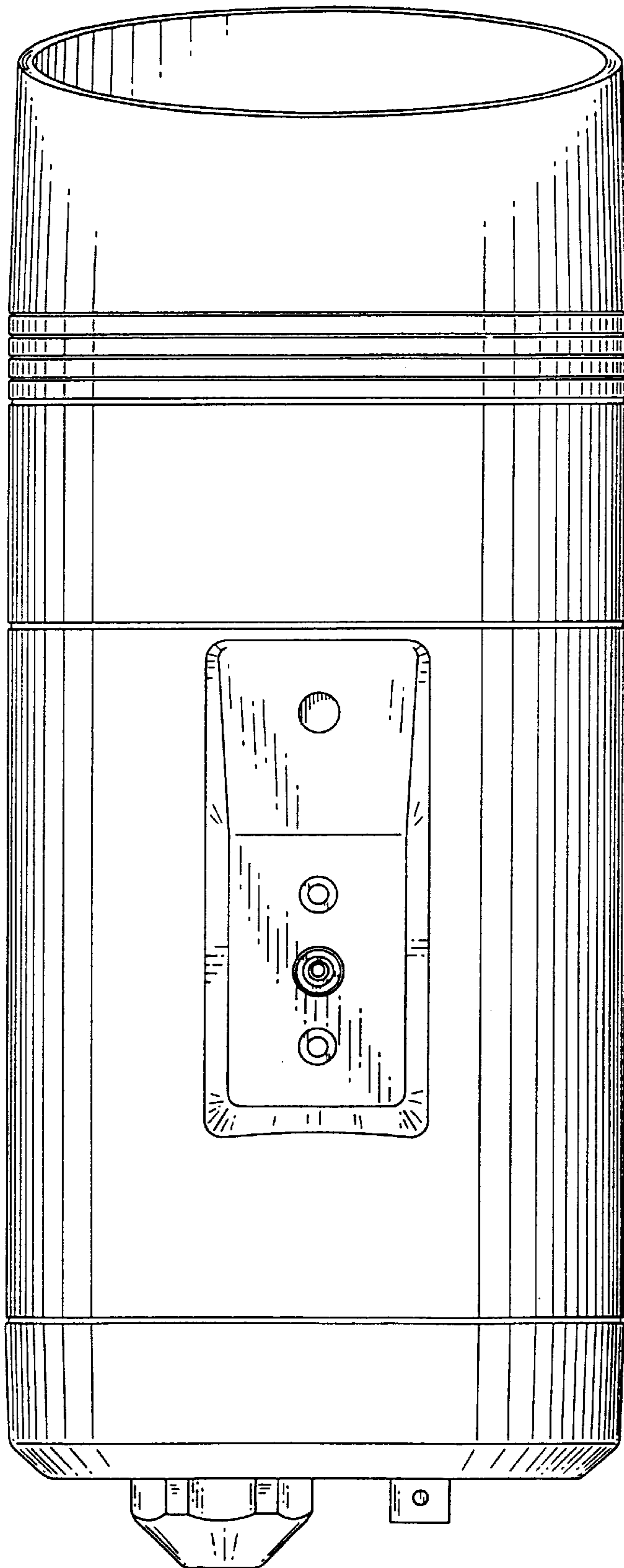


Fig. 5

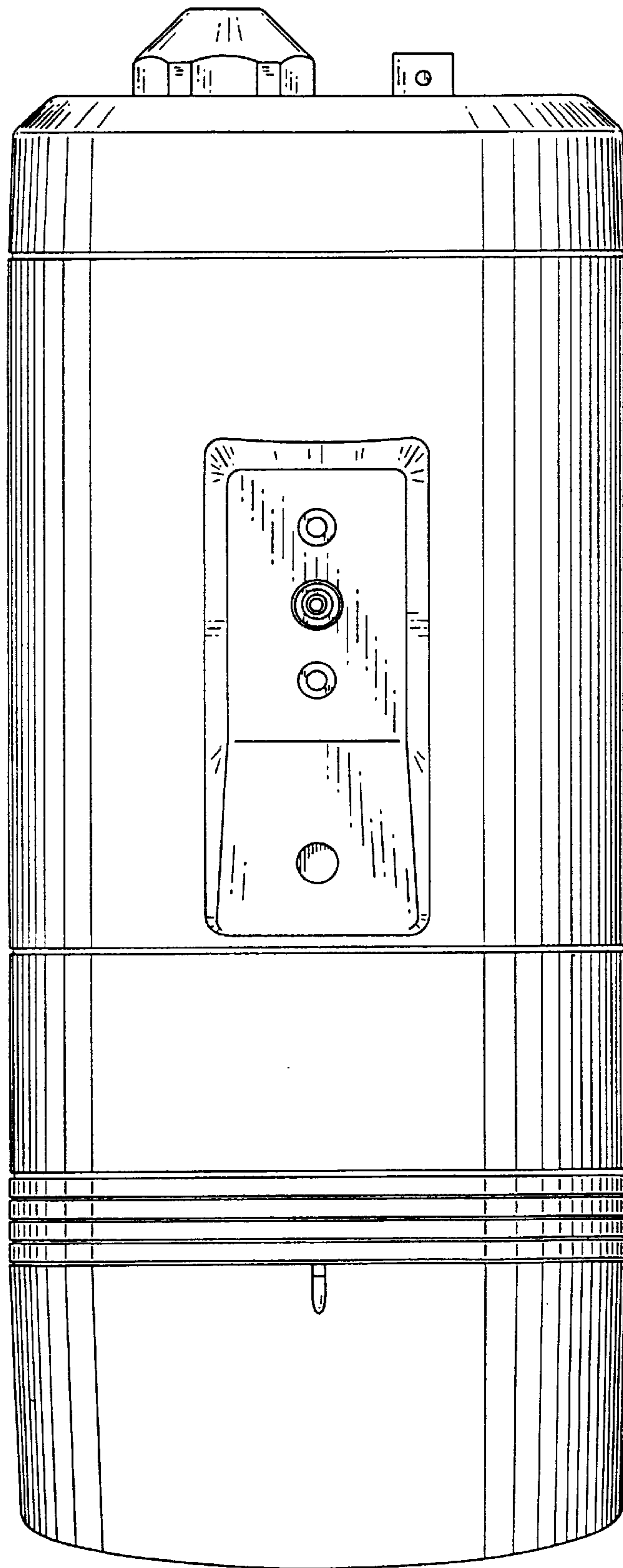


Fig. 6

Fig. 7

