



US00D430886S

United States Patent [19]
Yamamoto

[11] **Patent Number: Des. 430,886**

[45] **Date of Patent: ** Sep. 12, 2000**

[54] **SEWING MACHINE**

[75] Inventor: **Shigemi Yamamoto**, Chofu, Japan

[73] Assignee: **Juki Corporation**, Tokyo, Japan

[**] Term: **14 Years**

[21] Appl. No.: **29/111,650**

[22] Filed: **Sep. 29, 1999**

[30] **Foreign Application Priority Data**

May 7, 1999 [JP] Japan 11-12083

[51] **LOC (7) Cl.** **15-06**

[52] **U.S. Cl.** **D15/69**

[58] **Field of Search** D15/66-72; 112/217.1-219.4,
112/256-261

[56] **References Cited**

U.S. PATENT DOCUMENTS

D. 332,102 12/1992 Kato et al. D15/69

- D. 347,847 6/1994 Eguchi D15/69
- D. 359,964 7/1995 Nakajima et al. D15/69
- D. 383,764 9/1997 Ueyama D15/70
- D. 392,652 3/1998 Takada et al. D15/70
- D. 403,333 12/1993 Takada et al. D15/70

Primary Examiner—Sandra L. Morris
Attorney, Agent, or Firm—Morgan & Finnegan LLP

[57] **CLAIM**

The ornamental design for a sewing machine, as shown and described.

DESCRIPTION

FIG. 1 is a perspective view of a sewing machine showing our new design.

FIG. 2 is a front view thereof.

FIG. 3 is a back view thereof.

FIG. 4 is a top view thereof.

FIG. 5 is a bottom view thereof.

FIG. 6 is a right side view thereof; and,

FIG. 7 is a left side view thereof.

1 Claim, 4 Drawing Sheets

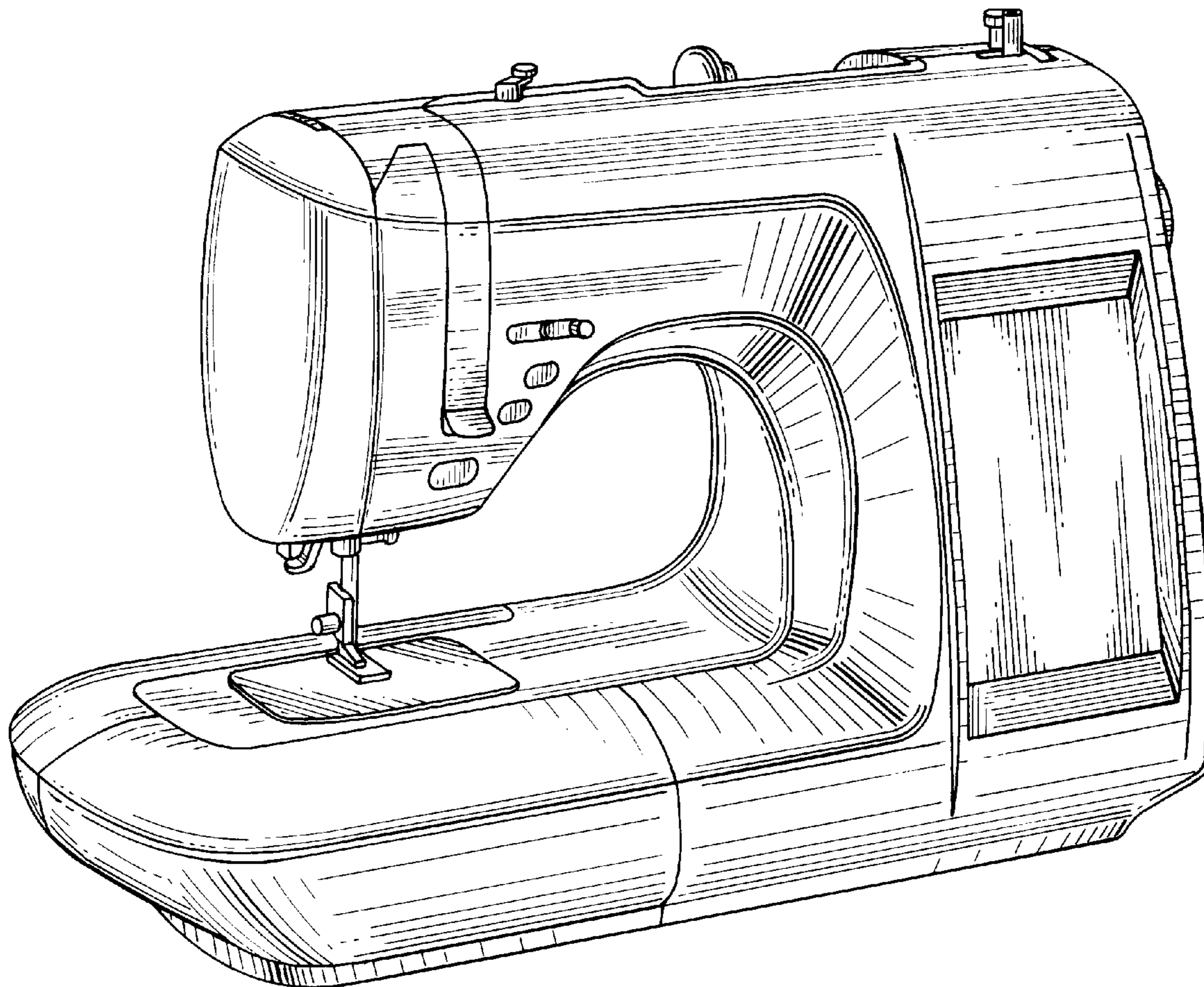


FIG. 1

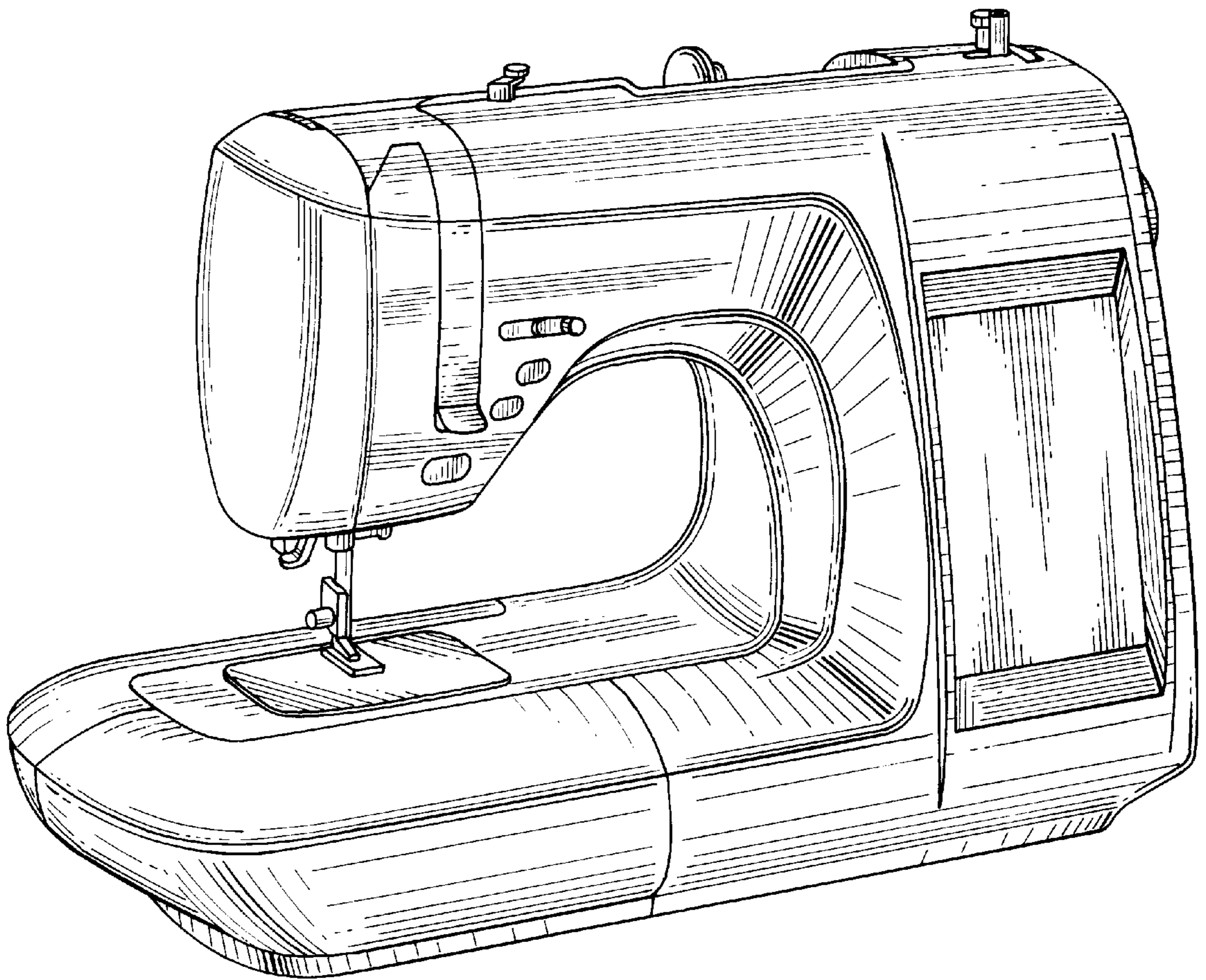


FIG.2

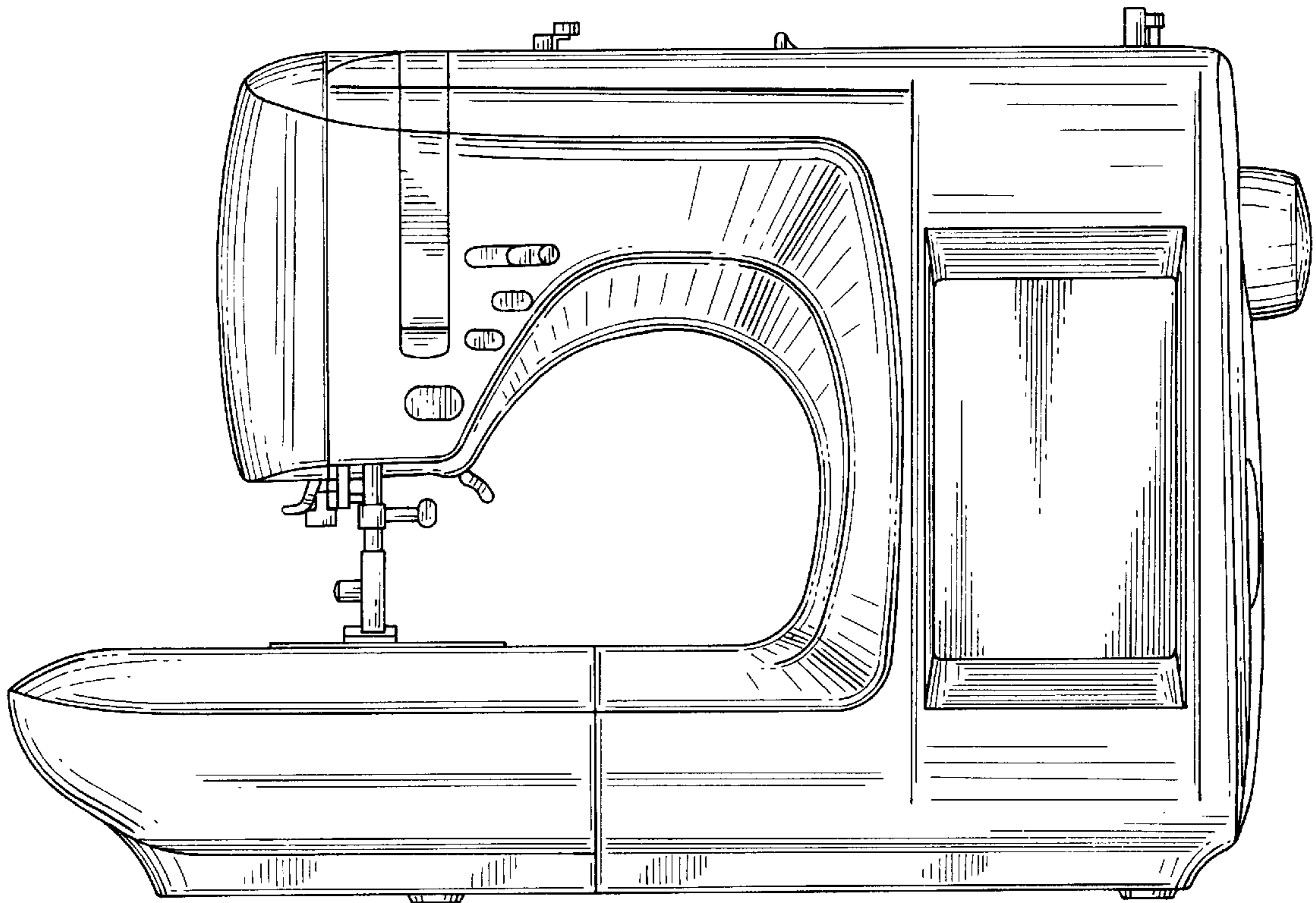


FIG.3

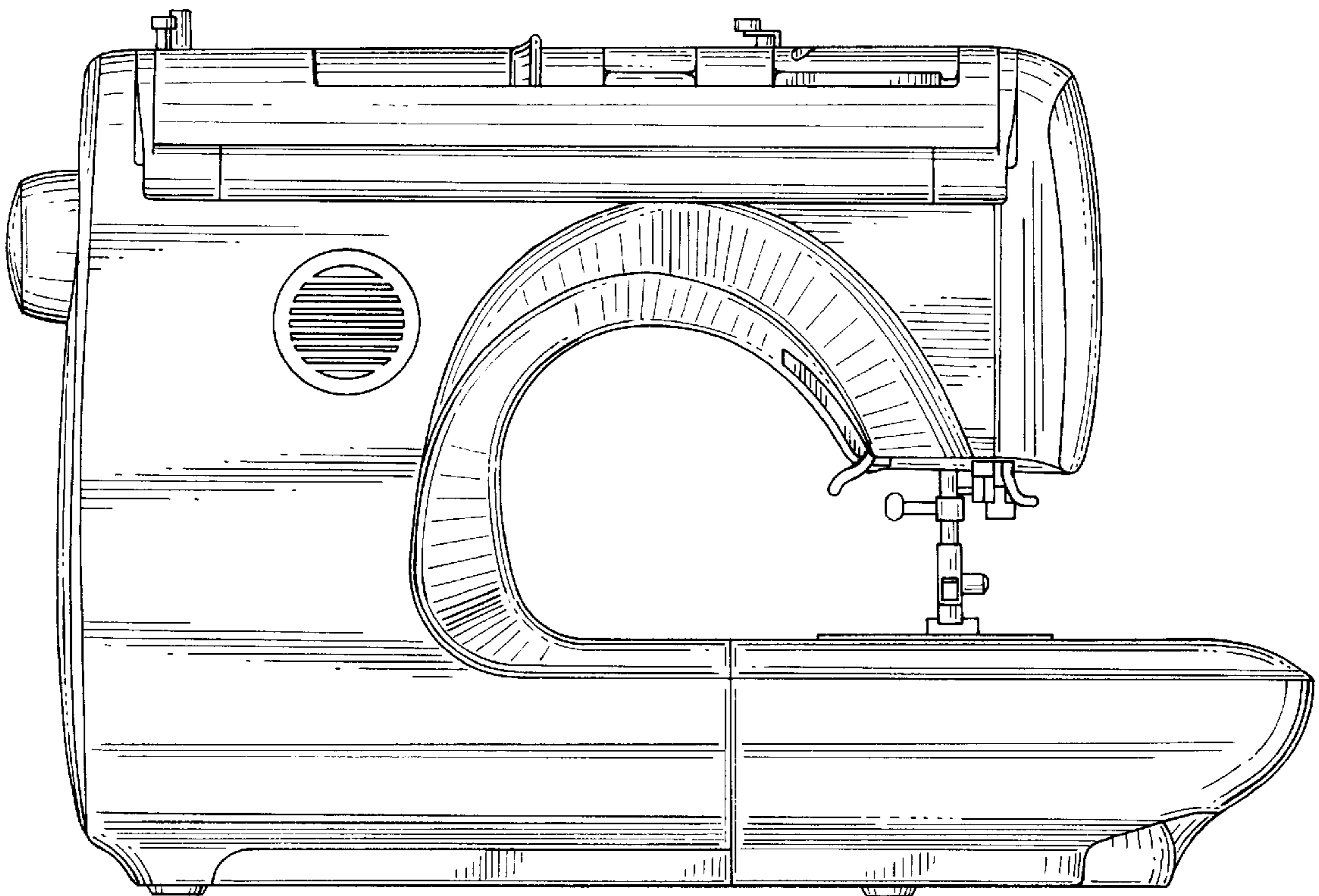


FIG.4

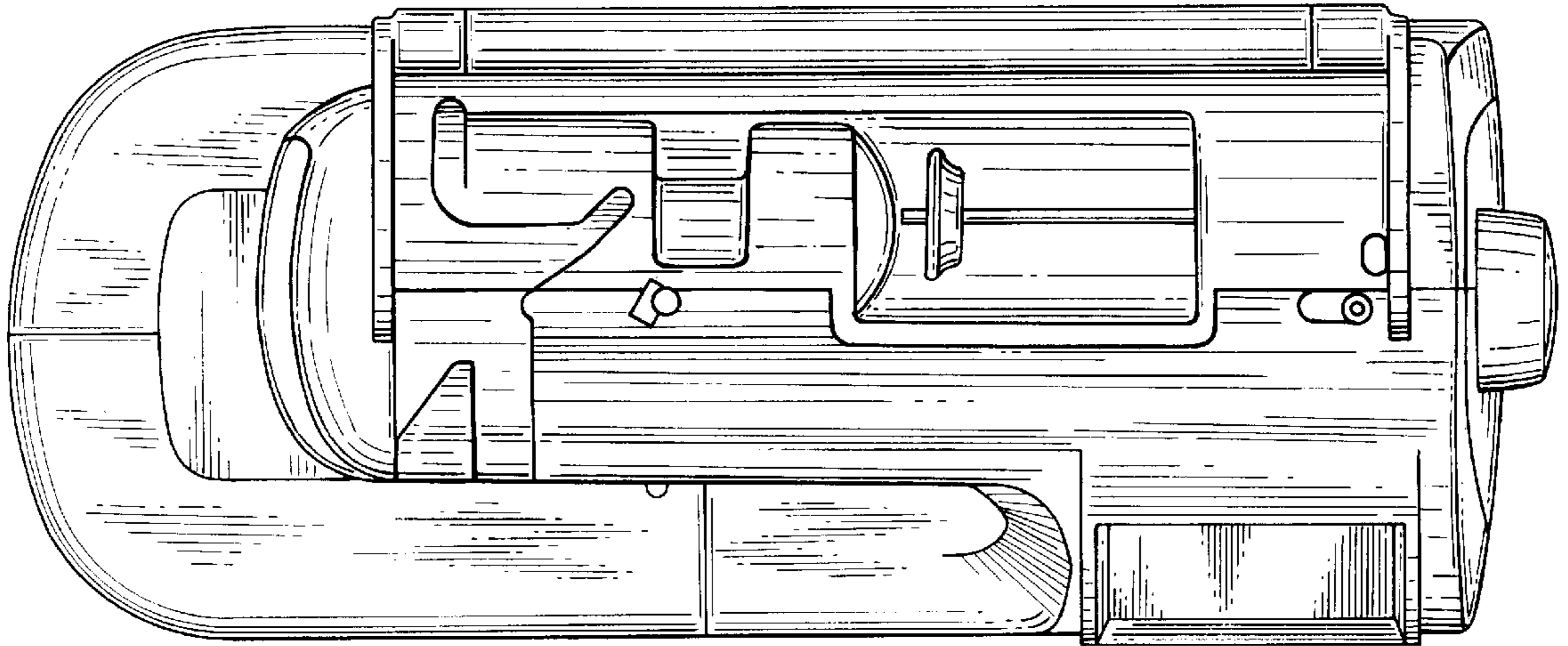


FIG.5

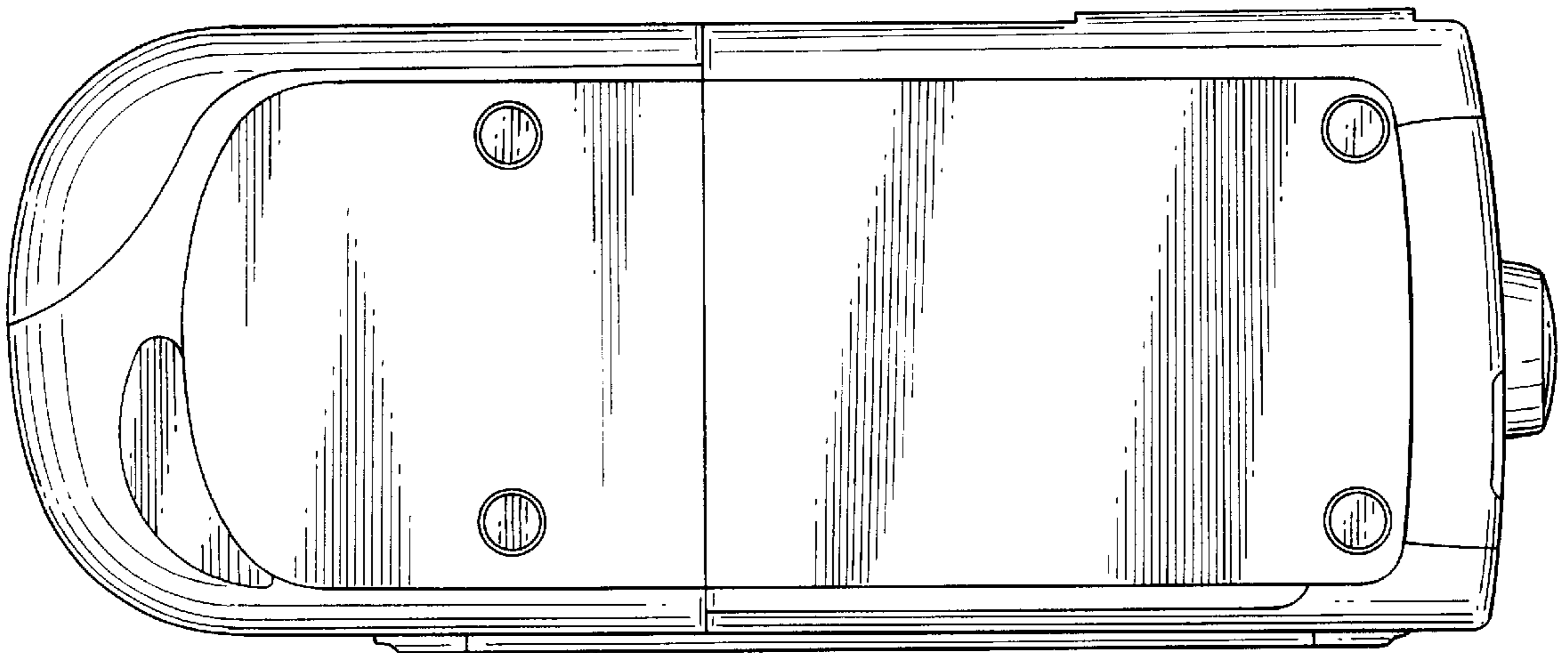


FIG.6

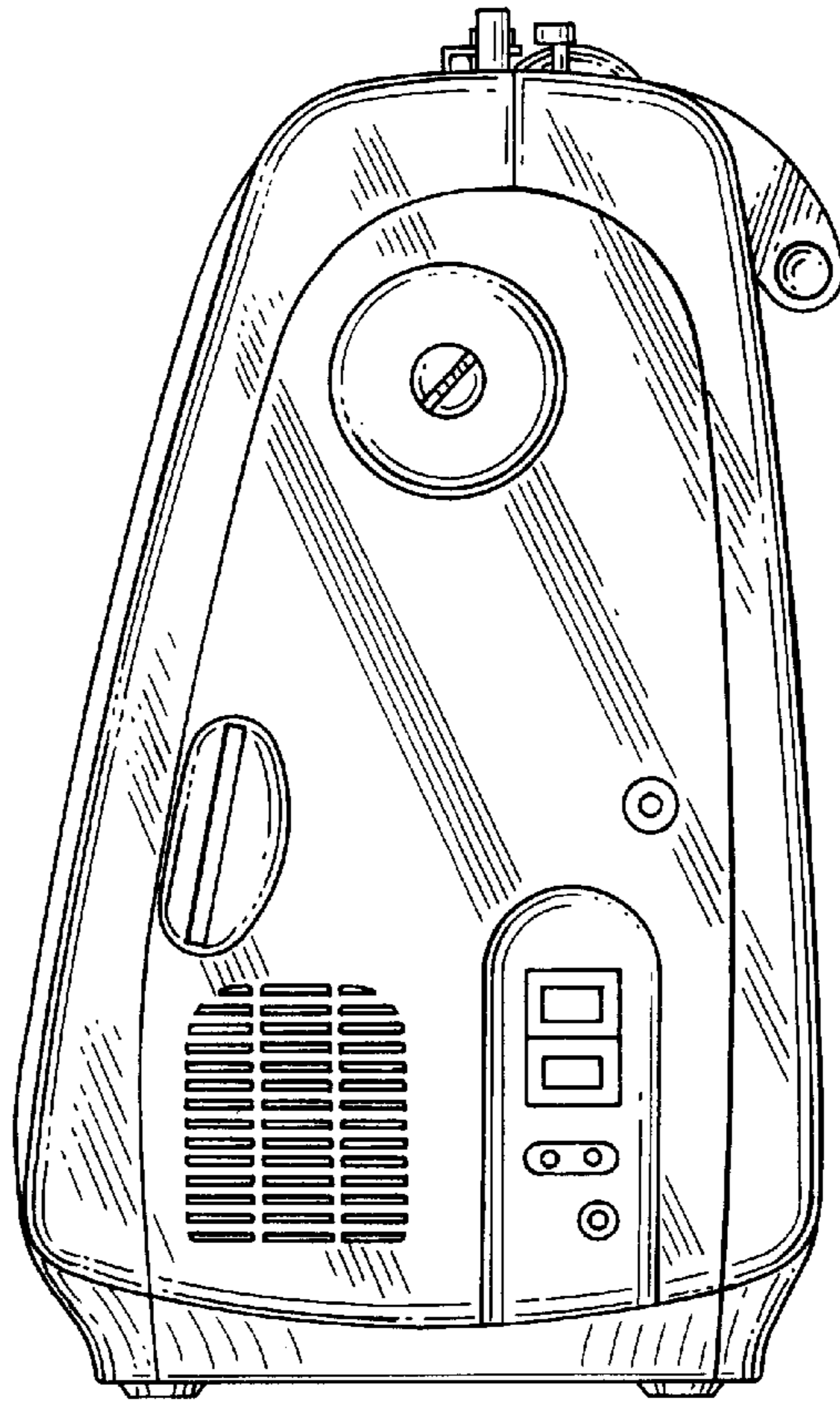


FIG.7

