



US00D430884S

United States Patent [19] Hung

[11] Patent Number: Des. 430,884

[45] Date of Patent: ** Sep. 12, 2000

[54] **COMPUTER HOLDER**

[75] Inventor: **Teng-Shun Hung**, Taipei, Taiwan

[73] Assignee: **Hornng Technical Enterprise Co., Ltd.**,
Tainan Hsien, Taiwan

[**] Term: **14 Years**

[21] Appl. No.: **29/116,241**

[22] Filed: **Dec. 30, 1999**

[51] **LOC (7) Cl.** **14-02**

[52] **U.S. Cl.** **D14/447**

[58] **Field of Search** D14/439, 447;
D6/422, 425, 436-7, 449, 509-12, 491,
445, 451-52; 248/346.01, 917-24, 188.1;
200/5 R, 5 A, 6 R, 6 A; 361/679-85; D13/184,
199

[56] **References Cited**

U.S. PATENT DOCUMENTS

D. 311,001 10/1990 Hassel et al. .

- D. 349,384 8/1994 Crinion .
- D. 349,696 8/1994 Hames .
- D. 361,561 8/1995 Baudot .
- D. 366,659 1/1996 Ross et al. .
- D. 414,166 9/1999 De Paris .
- D. 415,878 11/1999 Yeh et al. .

Primary Examiner—M. H. Tung
Attorney, Agent, or Firm—A & J

[57] **CLAIM**

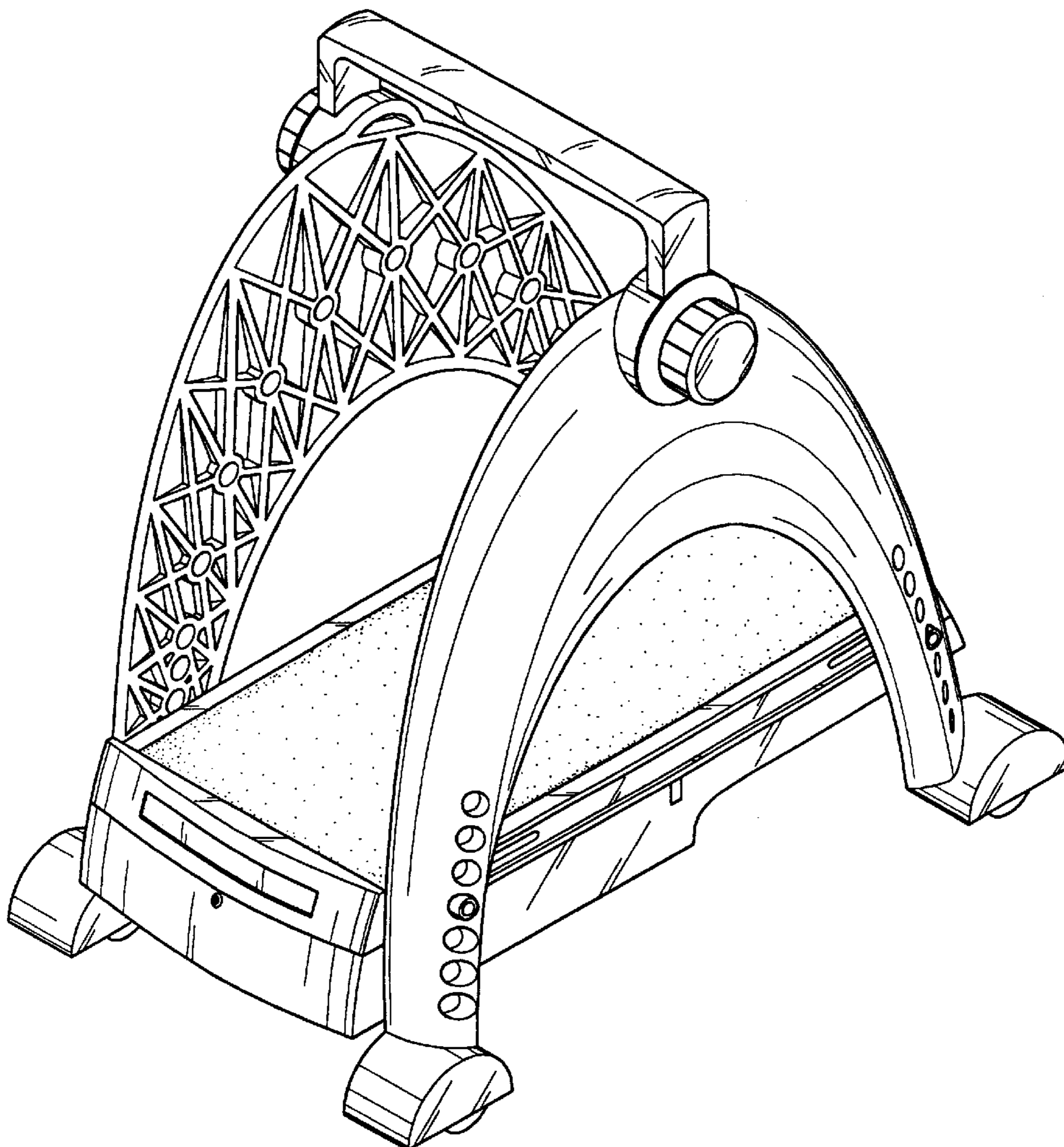
The ornamental design for a computer holder, as shown and described.

DESCRIPTION

FIG. 1 is a perspective view of a computer holder showing my new design.

- FIG. 2 is a front side elevation view thereof;
- FIG. 3 is a rear side elevation view thereof; and,
- FIG. 4 is a left side elevation view thereof;
- FIG. 5 is a right side elevation view thereof;
- FIG. 6 is a top plan view thereof; and,
- FIG. 7 is a bottom plan view thereof.

1 Claim, 4 Drawing Sheets



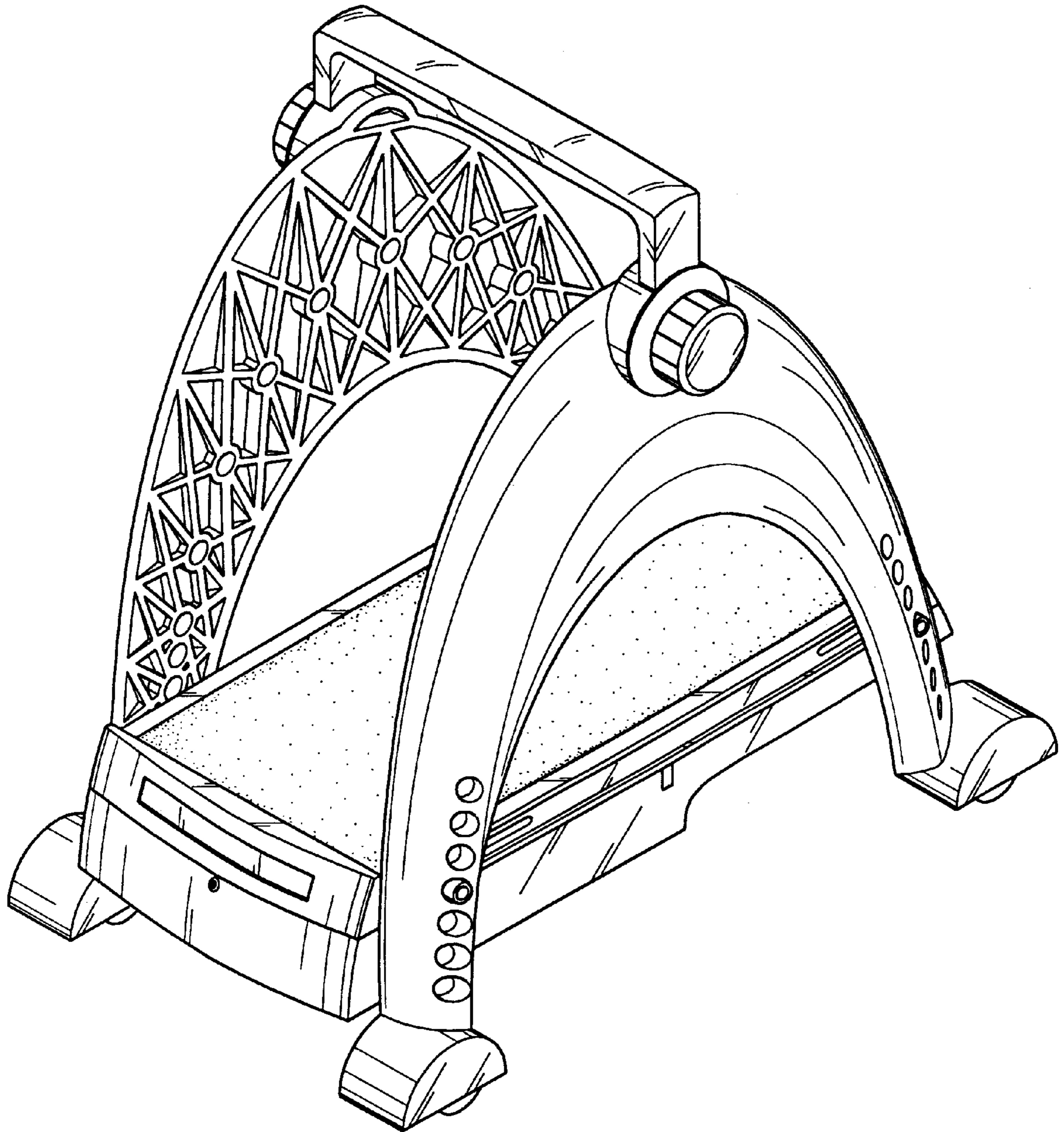


FIG. 1

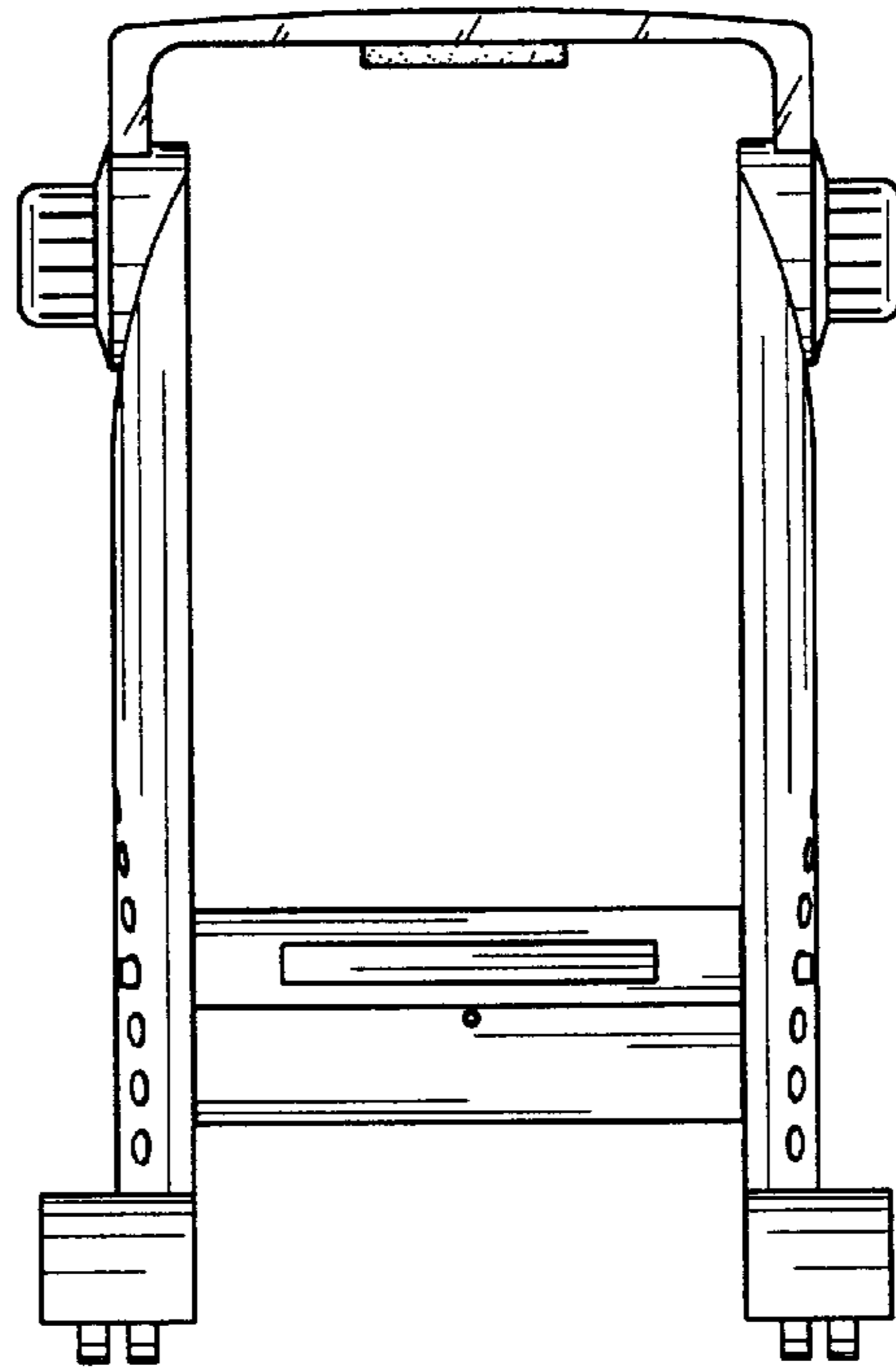


FIG. 2

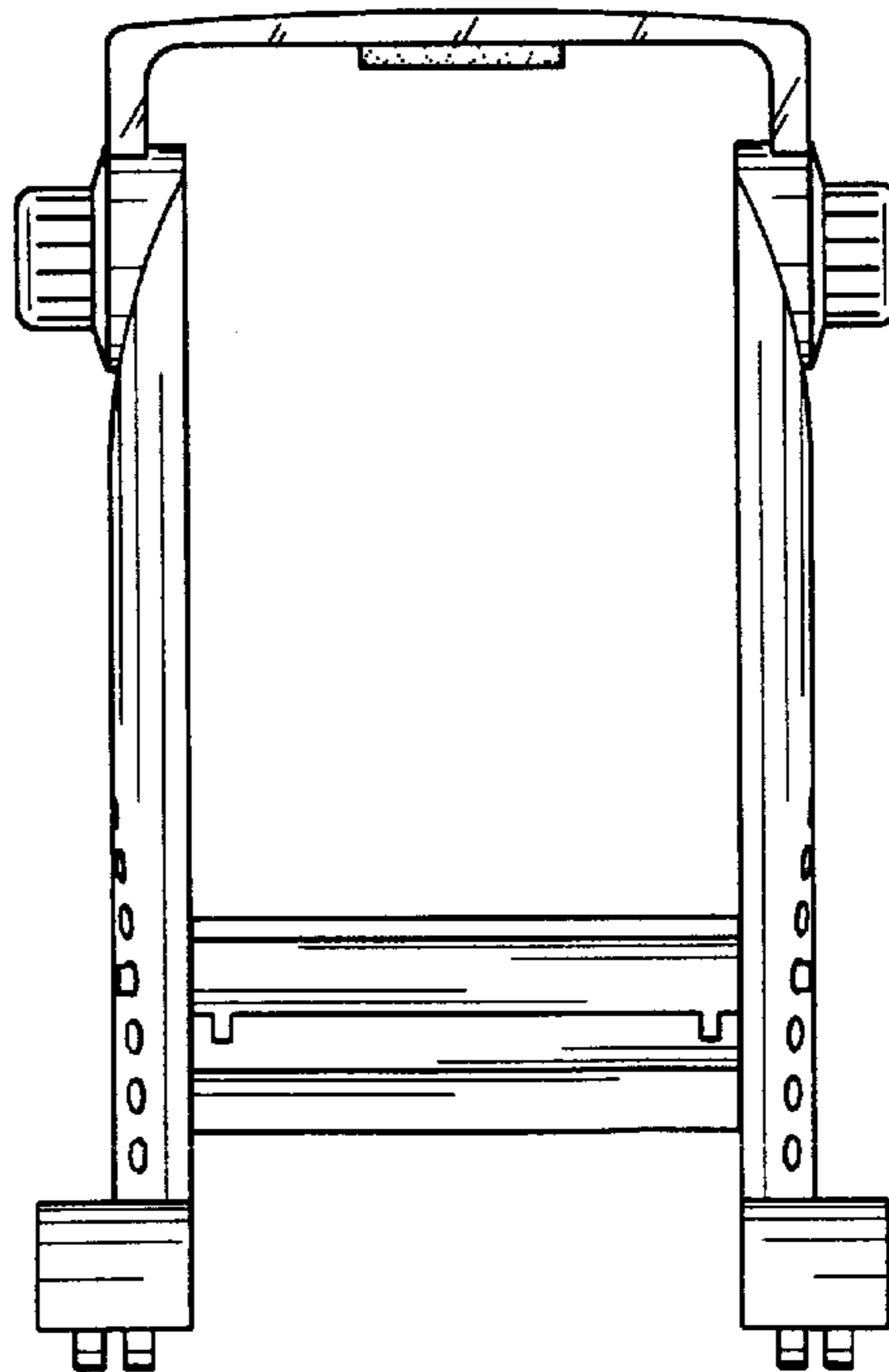


FIG. 3

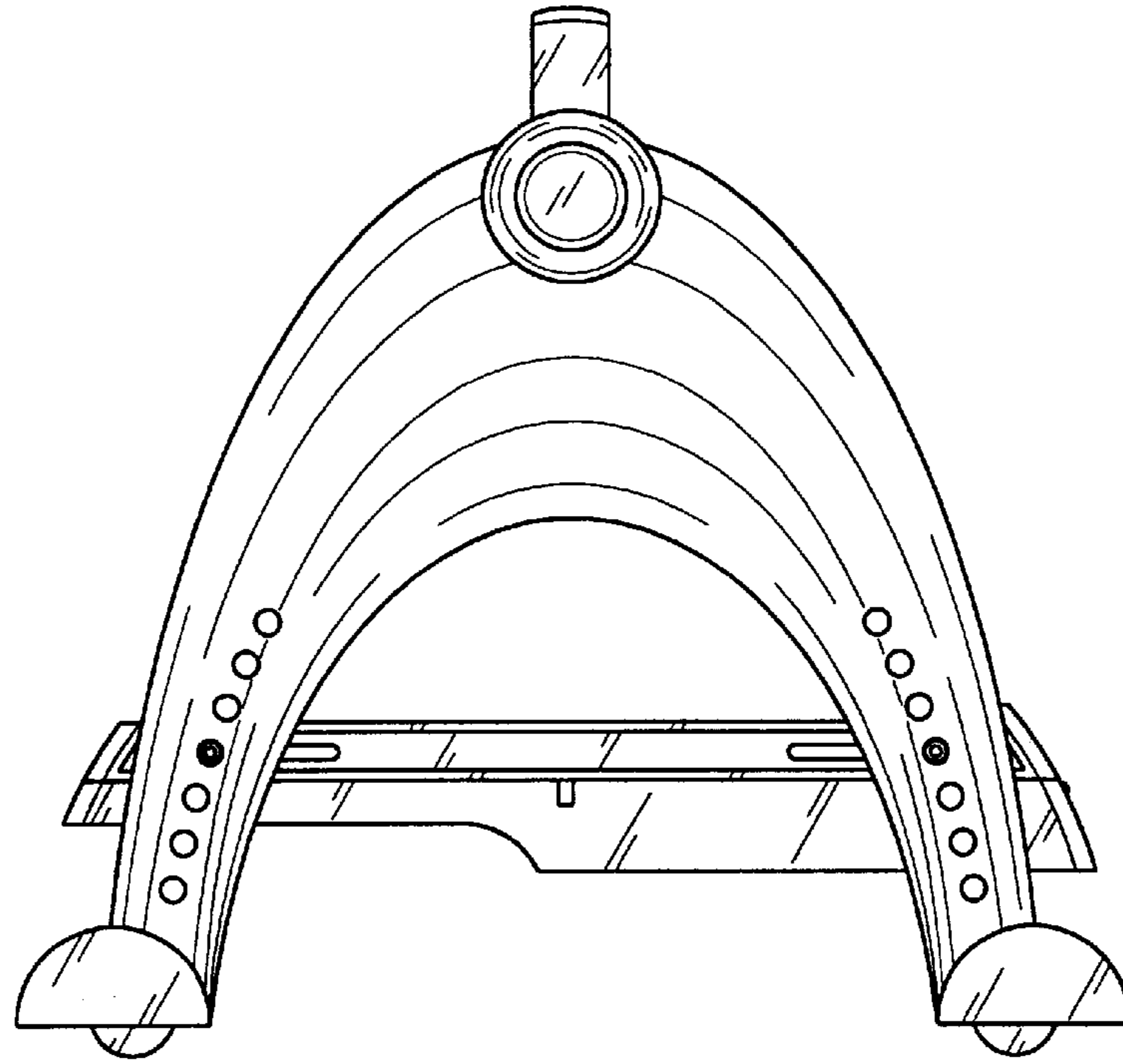


FIG. 4

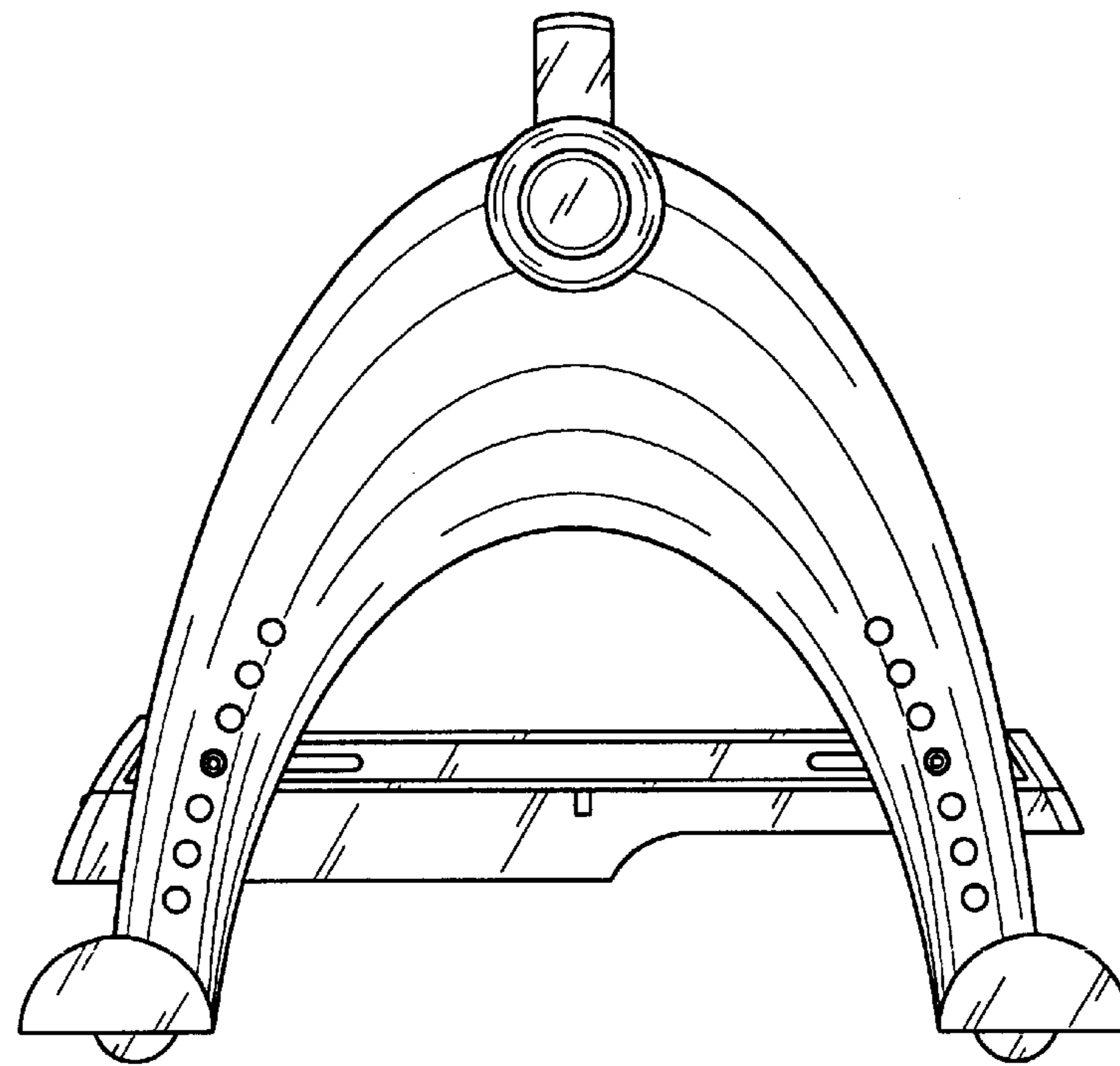


FIG. 5

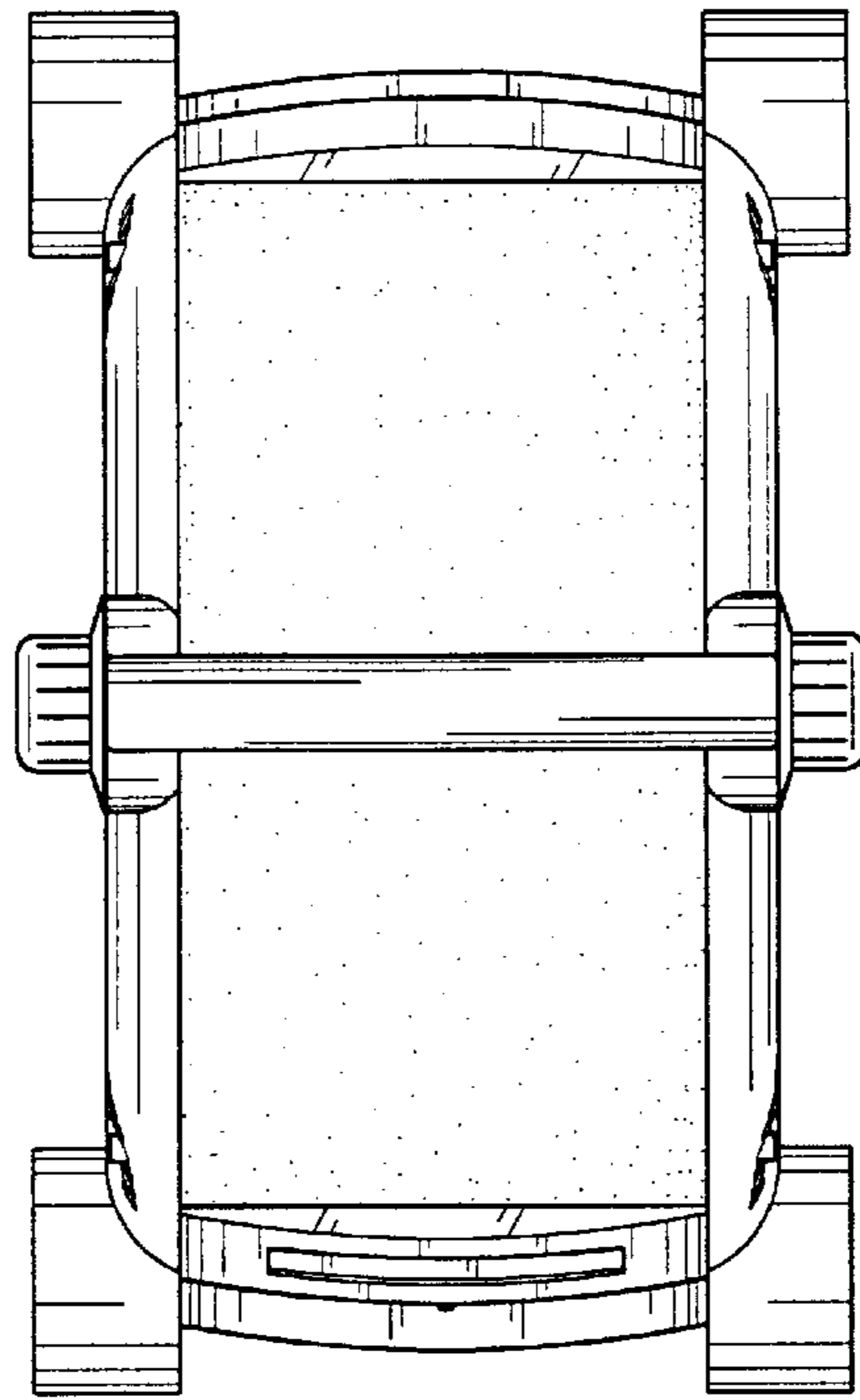


FIG. 6

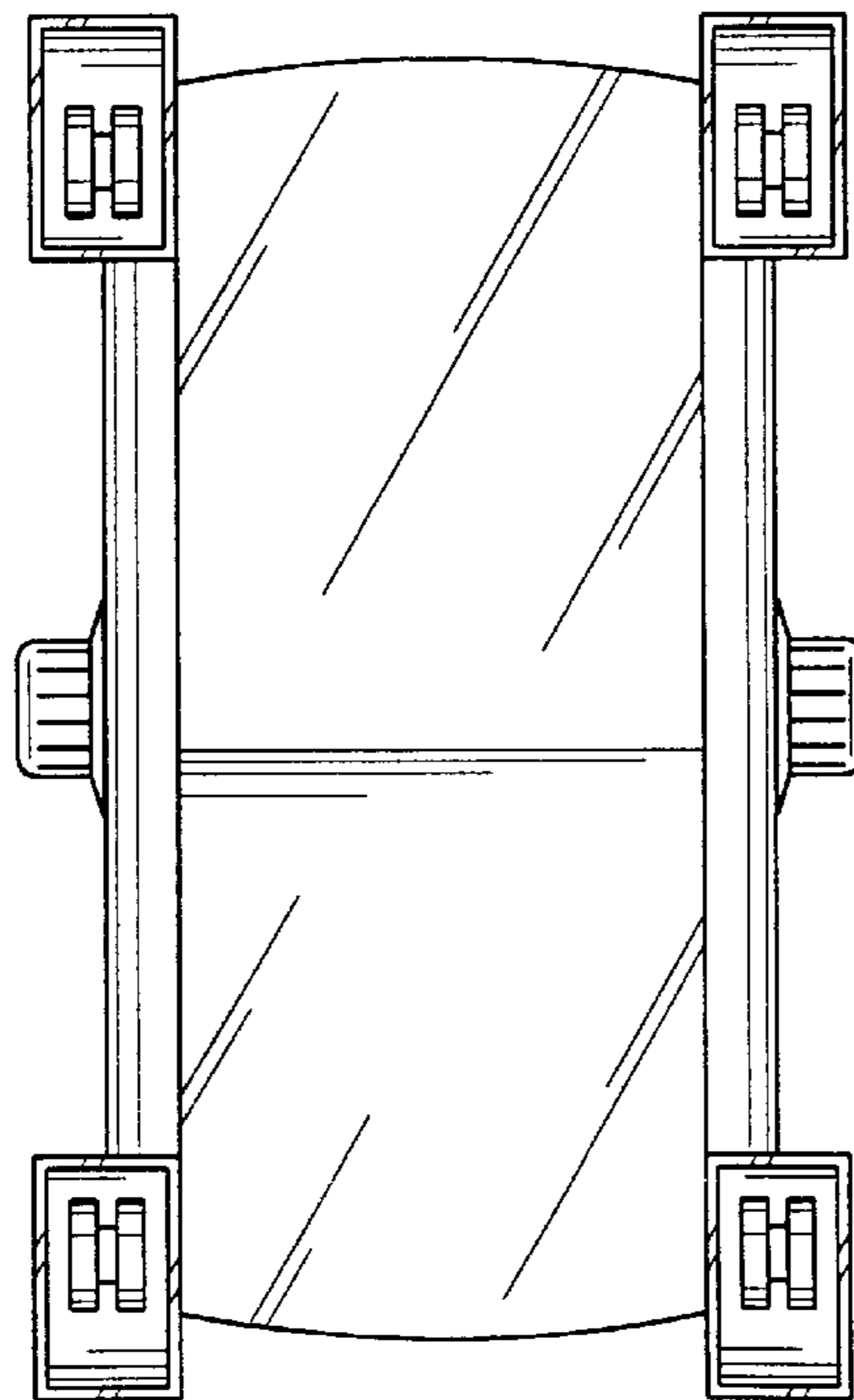


FIG. 7