



US00D430875S

United States Patent [19]
Beecroft

[11] **Patent Number: Des. 430,875**
[45] **Date of Patent: ** Sep. 12, 2000**

[54] **WIRELESS KEYBOARD**

[75] Inventor: **Troy C. Beecroft**, Westminster, Colo.

[73] Assignee: **U S West, Inc.**, Denver, Colo.

[**] Term: **14 Years**

[21] Appl. No.: **29/116,023**

[22] Filed: **Dec. 23, 1999**

[51] **LOC (7) Cl.** **14-02**

[52] **U.S. Cl.** **D14/392**

[58] **Field of Search** D14/391, 392,
D14/396; D18/1, 7; 200/5 A, 5 R, 6 A,
6 R; 235/145 A, 145 R; 345/168; 341/22,
23; 364/708.1; 400/492

[56] **References Cited**

U.S. PATENT DOCUMENTS

- D. 369,155 4/1996 Vossoughi D14/396
- D. 387,051 12/1997 Peng D14/392
- D. 409,594 5/1999 Lepack D14/392

Primary Examiner—Freda Nunn
Attorney, Agent, or Firm—Marsh, Fischmann & Breyfogle LLP

[57] **CLAIM**

The ornamental design for a wireless keyboard, as shown and described.

DESCRIPTION

FIG. 1 is a front elevation view of the wireless keyboard thereof;

FIG. 2 is a back elevation view of the wireless keyboard thereof;

FIG. 3 is a bottom view of the wireless keyboard thereof;

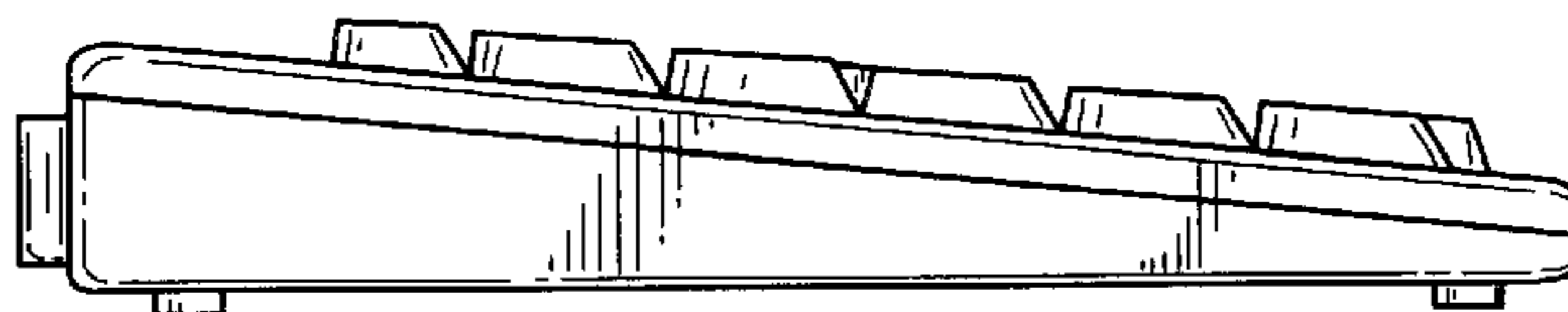
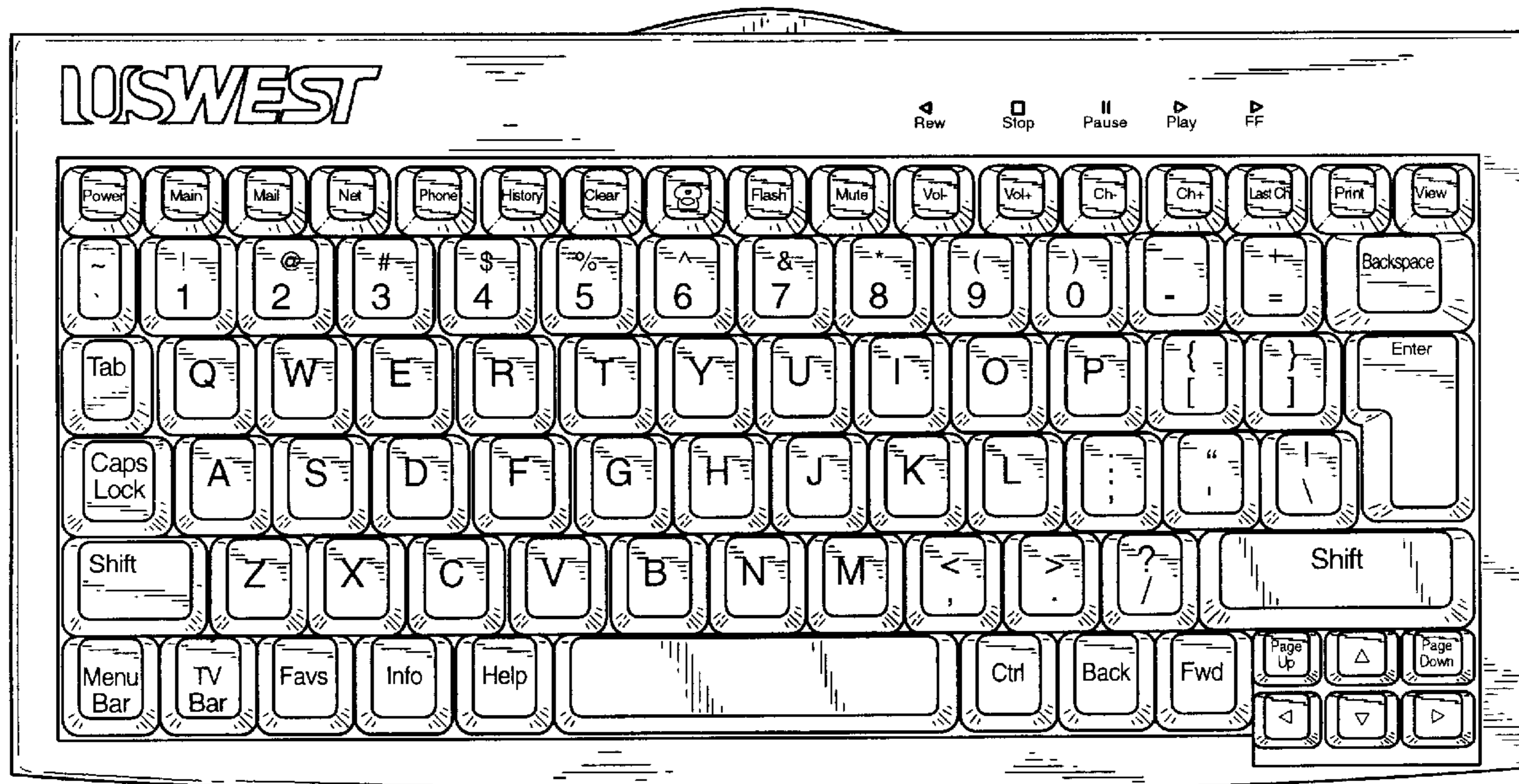
FIG. 4 is a top view of the wireless keyboard thereof;

FIG. 5 is a right side view of the wireless keyboard thereof; and,

FIG. 6 is a left side view of the wireless keyboard thereof.

The broken lines are shown in FIG. 2 for illustrative purposes only and form no part of the claimed design.

1 Claim, 3 Drawing Sheets



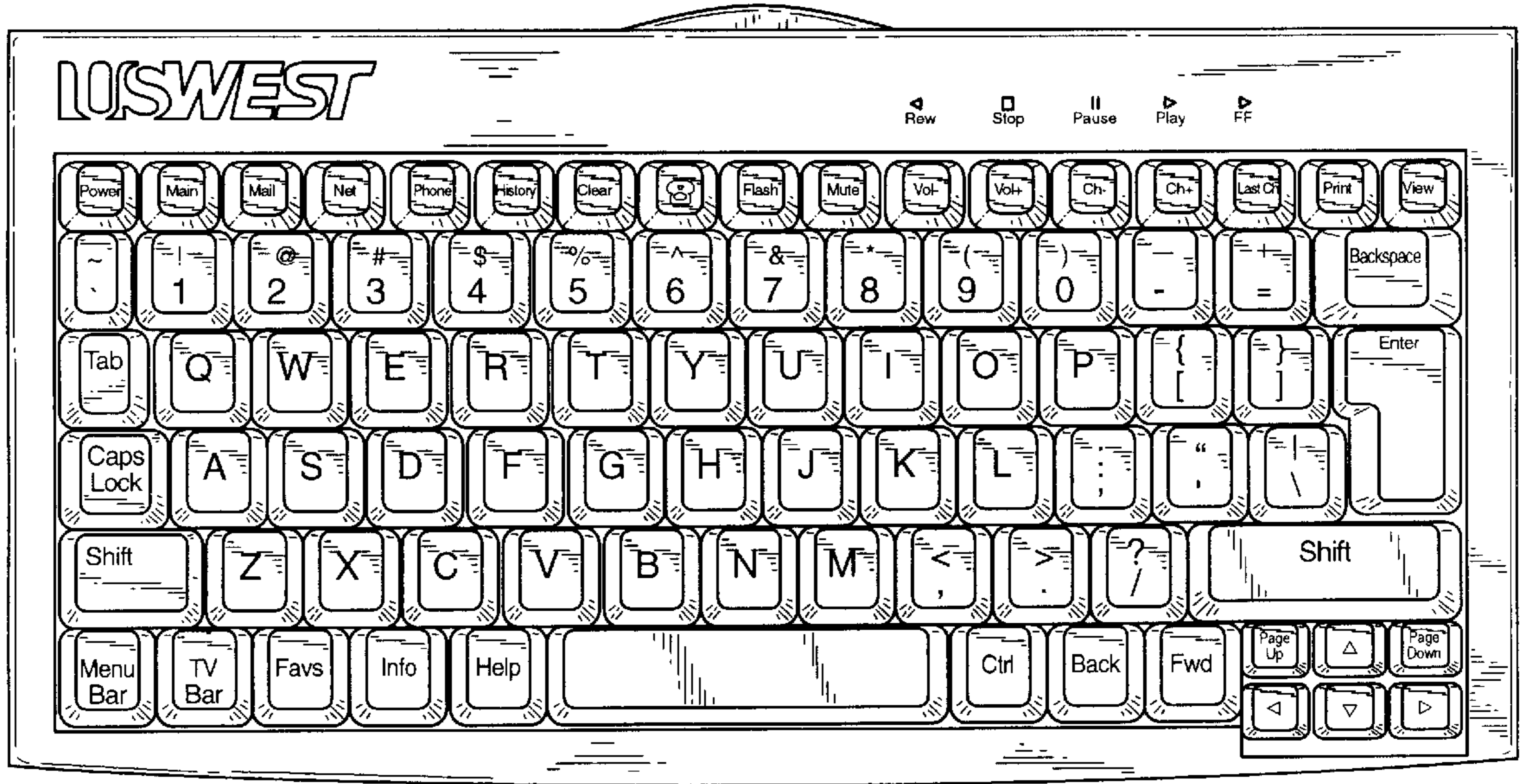


FIG. 1

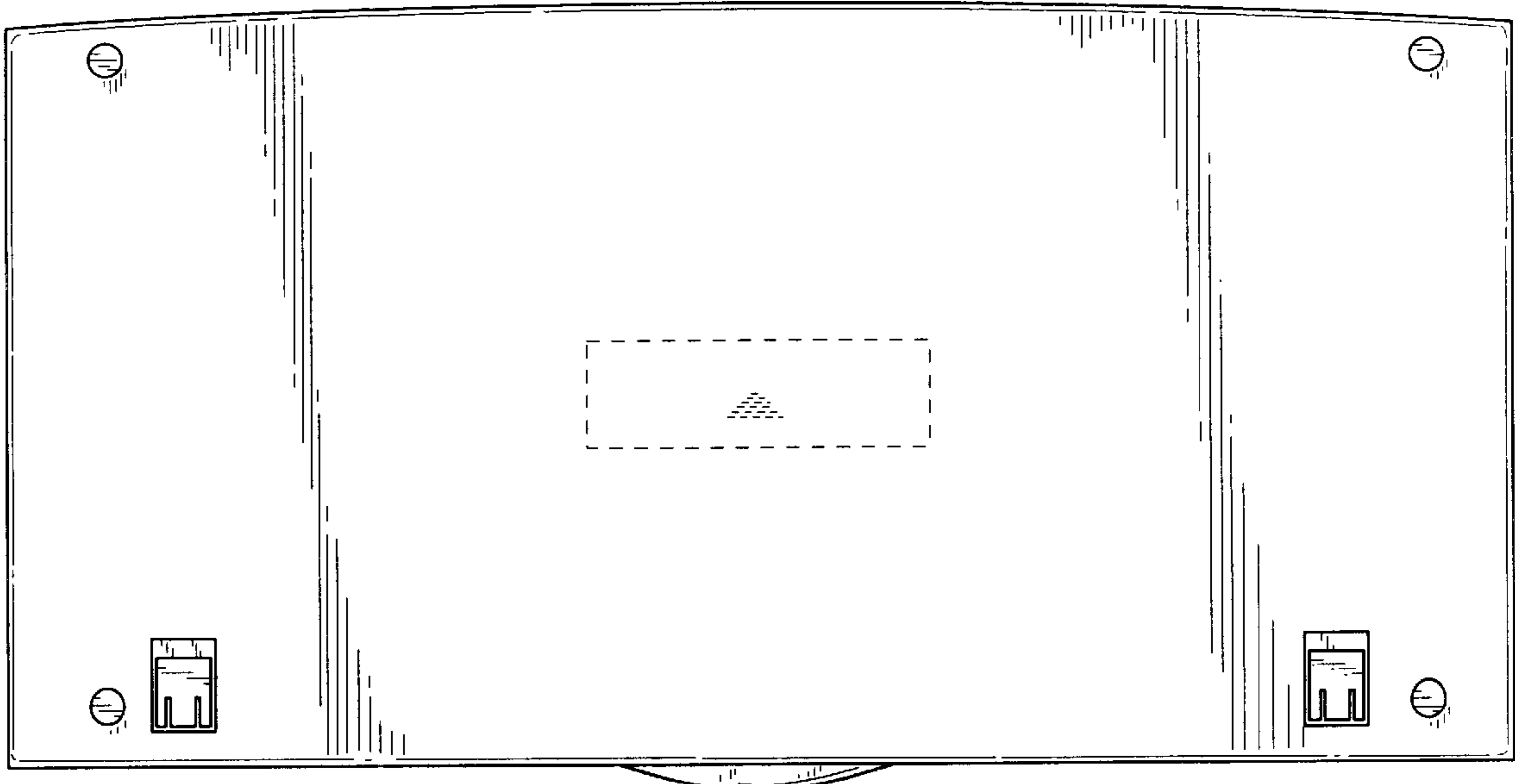


FIG. 2

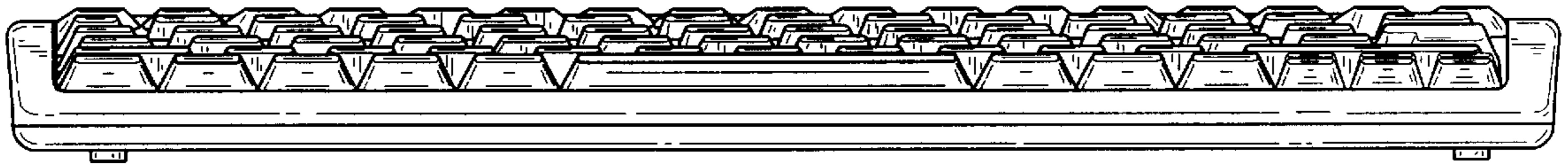


FIG.3

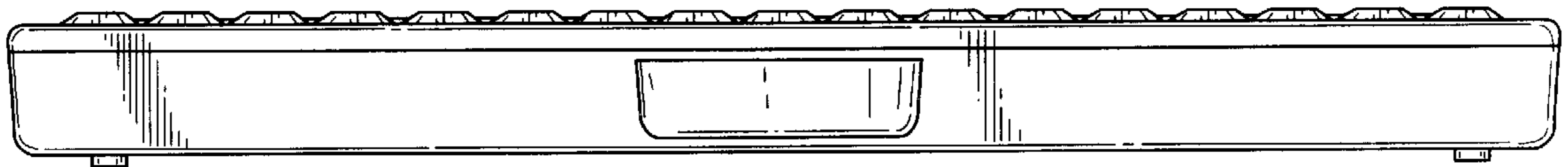


FIG.4

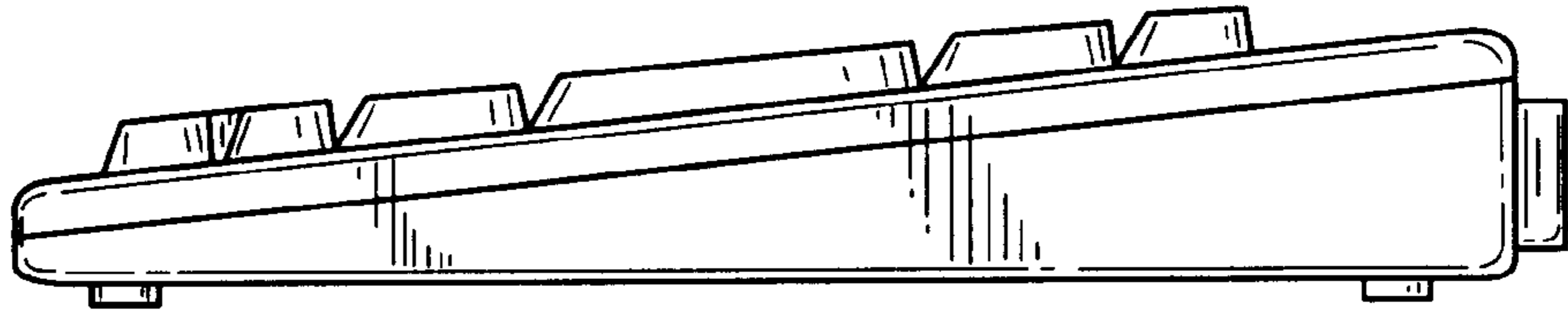


FIG. 5

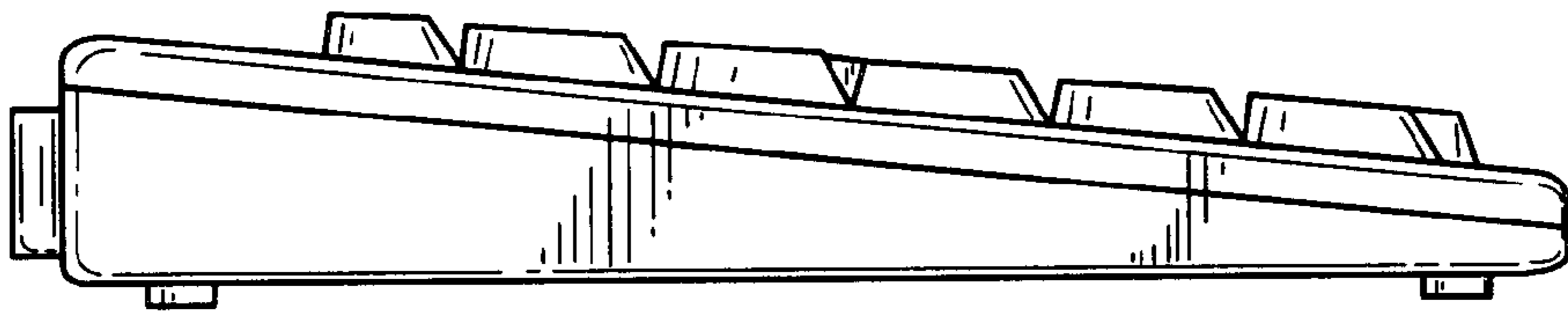


FIG. 6