



US00D430870S

United States Patent [19]

Maruyama et al.

[11] Patent Number: Des. 430,870

[45] Date of Patent: ** Sep. 12, 2000

[54] **COMPUTER**

[75] Inventors: **Yukinobu Maruyama**, Kokubunji;
Masayuki Kan, Isehara, both of Japan;
Ernesto V. Quinteros, Long Beach;
Chih-Yang Kao, Fremont, both of Calif.

[73] Assignee: **Hitachi, Ltd.**, Tokyo, Japan

[**] Term: **14 Years**

[21] Appl. No.: **29/077,394**

[22] Filed: **Sep. 4, 1997**

[30] **Foreign Application Priority Data**

Jul. 4, 1997 [JP] Japan 9-60297

[51] **LOC (7) Cl.** **18-01**

[52] **U.S. Cl.** **D14/331; D14/331; D14/338-340; D18/1; D18/2; D18/7; 345/104; 364/708.1; 361/680; 361/681**

[58] **Field of Search** **D14/338-340, D14/333-335, 331, 330, 337; D18/1, 2, 7; 345/104, 156, 168, 169; 364/708.1; 361/680, 681**

[56] **References Cited**

U.S. PATENT DOCUMENTS

- D. 303,789 10/1989 Brunner .
- D. 306,156 2/1990 Myers .

- D. 306,433 3/1990 Mitchell .
- D. 320,196 9/1991 Carter .
- D. 324,855 3/1992 Iino D14/331
- D. 340,037 10/1993 Yokota .
- D. 358,372 5/1995 Goodrich .
- D. 366,649 1/1996 Soderburg D14/331
- D. 369,147 4/1996 Iino .
- 4,839,837 6/1989 Chang 361/681
- 4,901,261 2/1990 Fuhs 361/680
- 4,903,221 2/1990 Krenz 361/680

Primary Examiner—Freda Nunn
Attorney, Agent, or Firm—Antonelli, Terry, Stout & Kraus, LLP

[57] **CLAIM**

The ornamental design for a computer, as shown and described.

DESCRIPTION

FIG. 1 is a perspective front, right side and top view of a computer showing our new design;
FIG. 2 is a front elevation view thereof;
FIG. 3 is a rear side view thereof;
FIG. 4 is a right side view thereof;
FIG. 5 is a left side view thereof
FIG. 6 is a top view thereof
FIG. 7 is a bottom view thereof; and,
FIG. 8 is an explanatory front, right side and top perspective view when a keyboard is separated from the main body thereof.

1 Claim, 6 Drawing Sheets

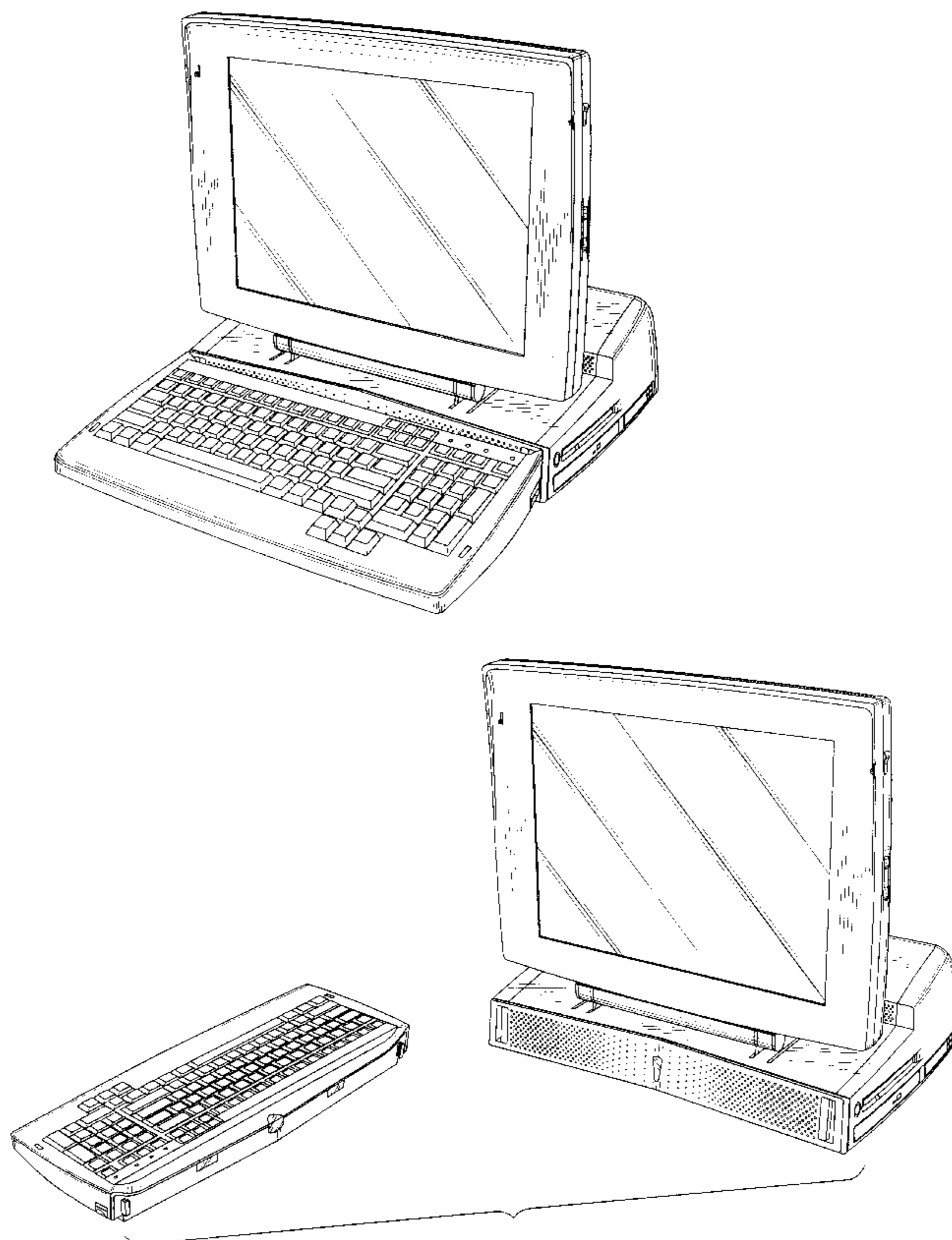


FIG. 1

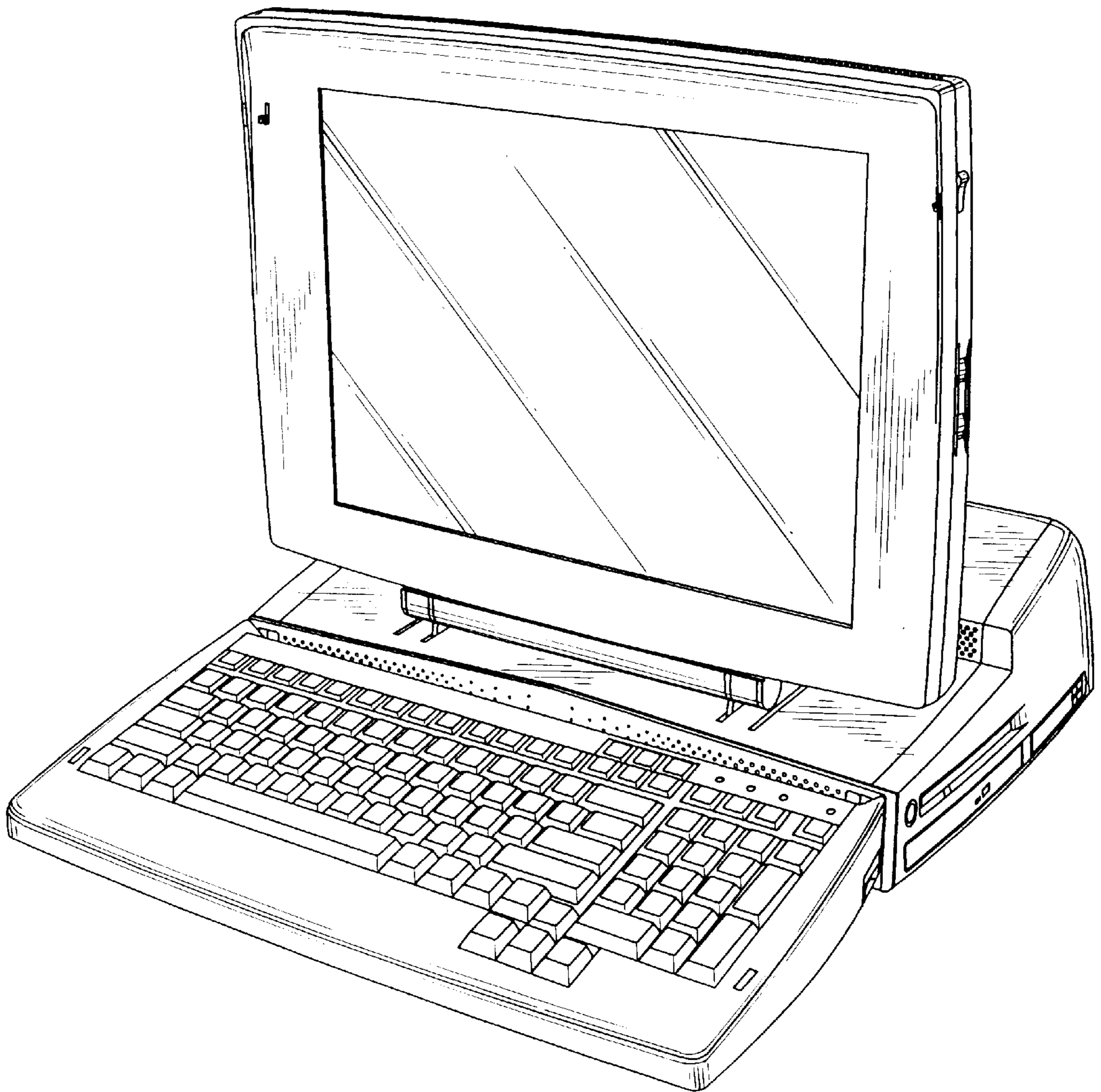


FIG. 2

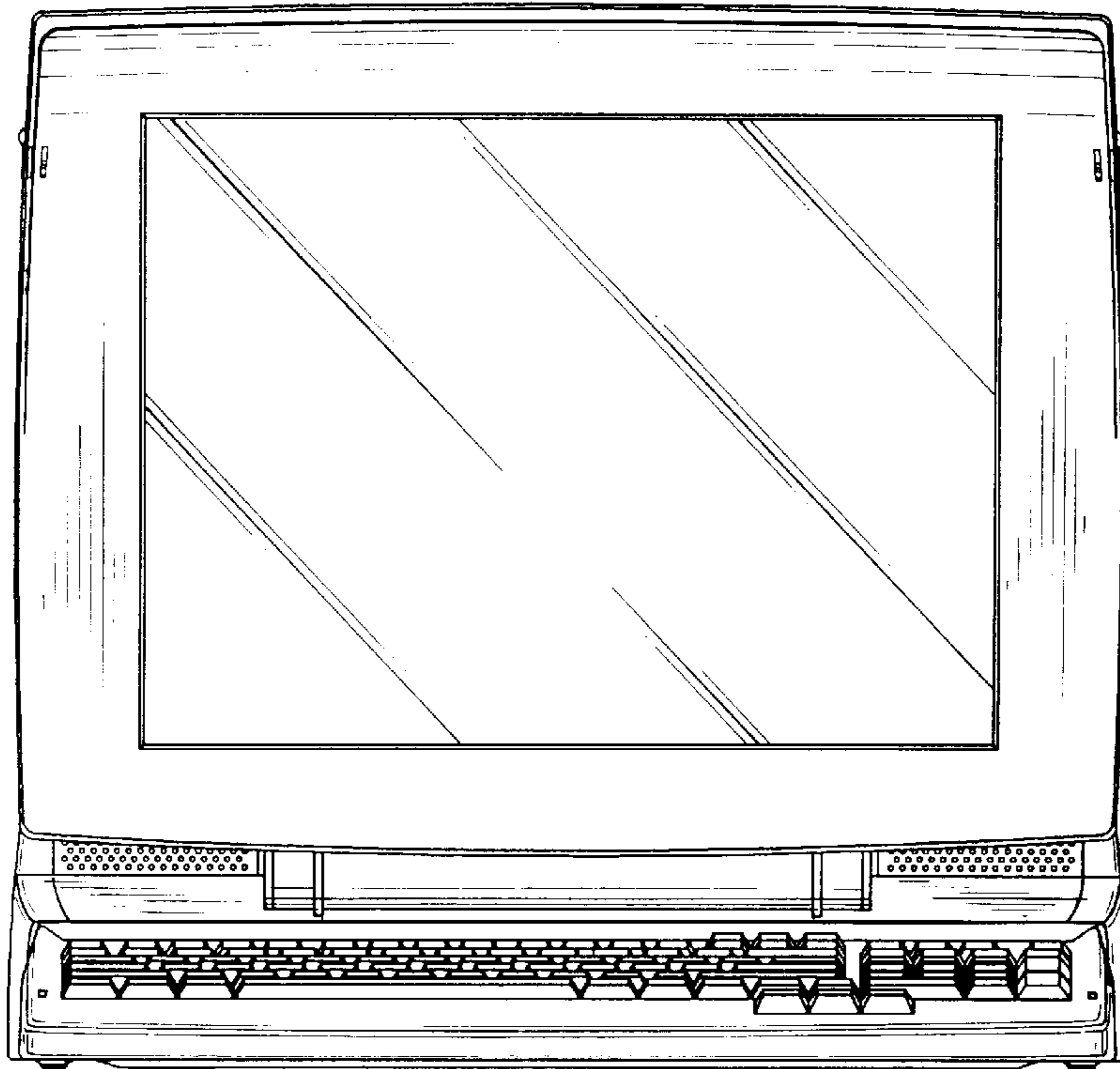


FIG. 3

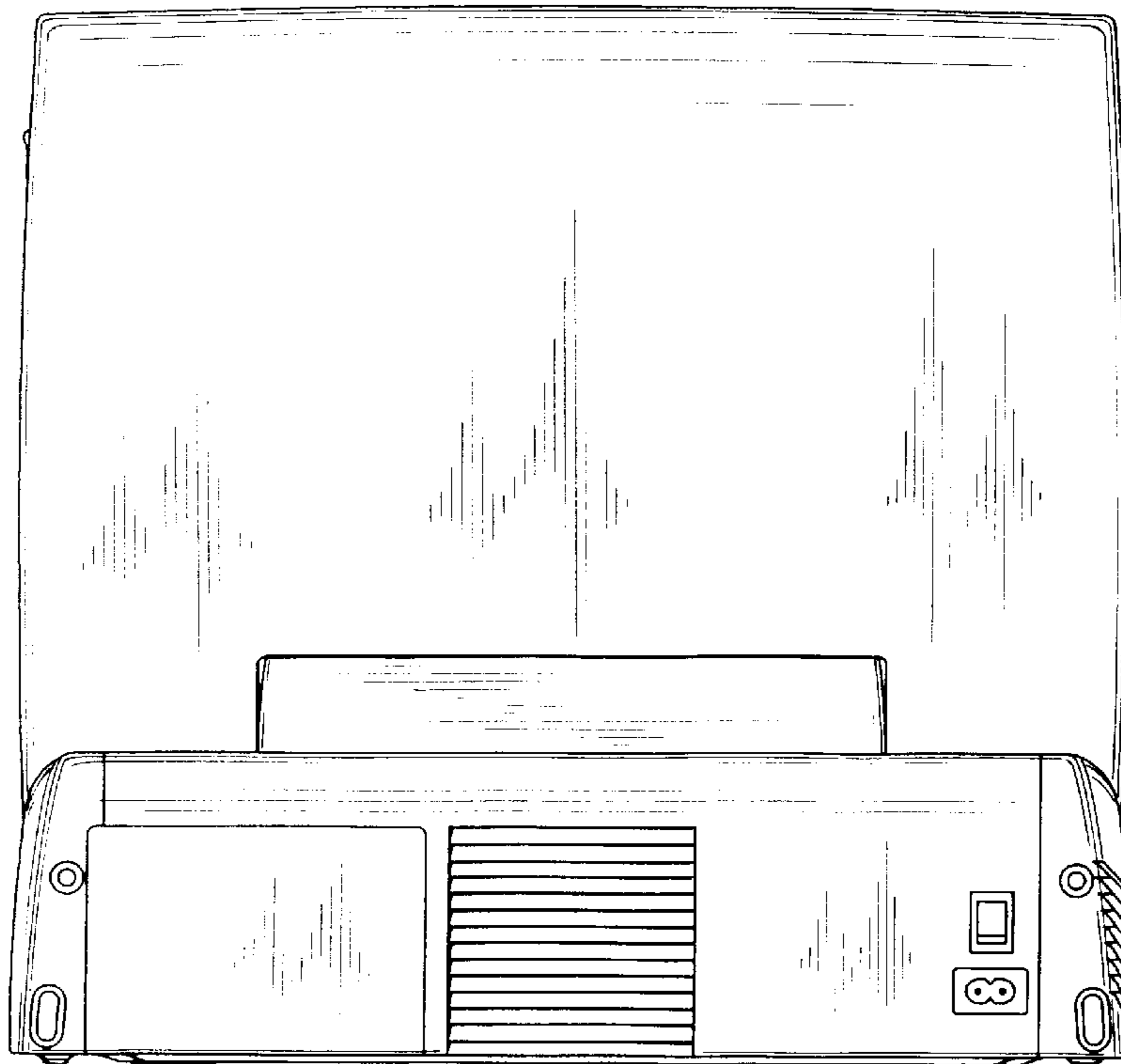


FIG. 4

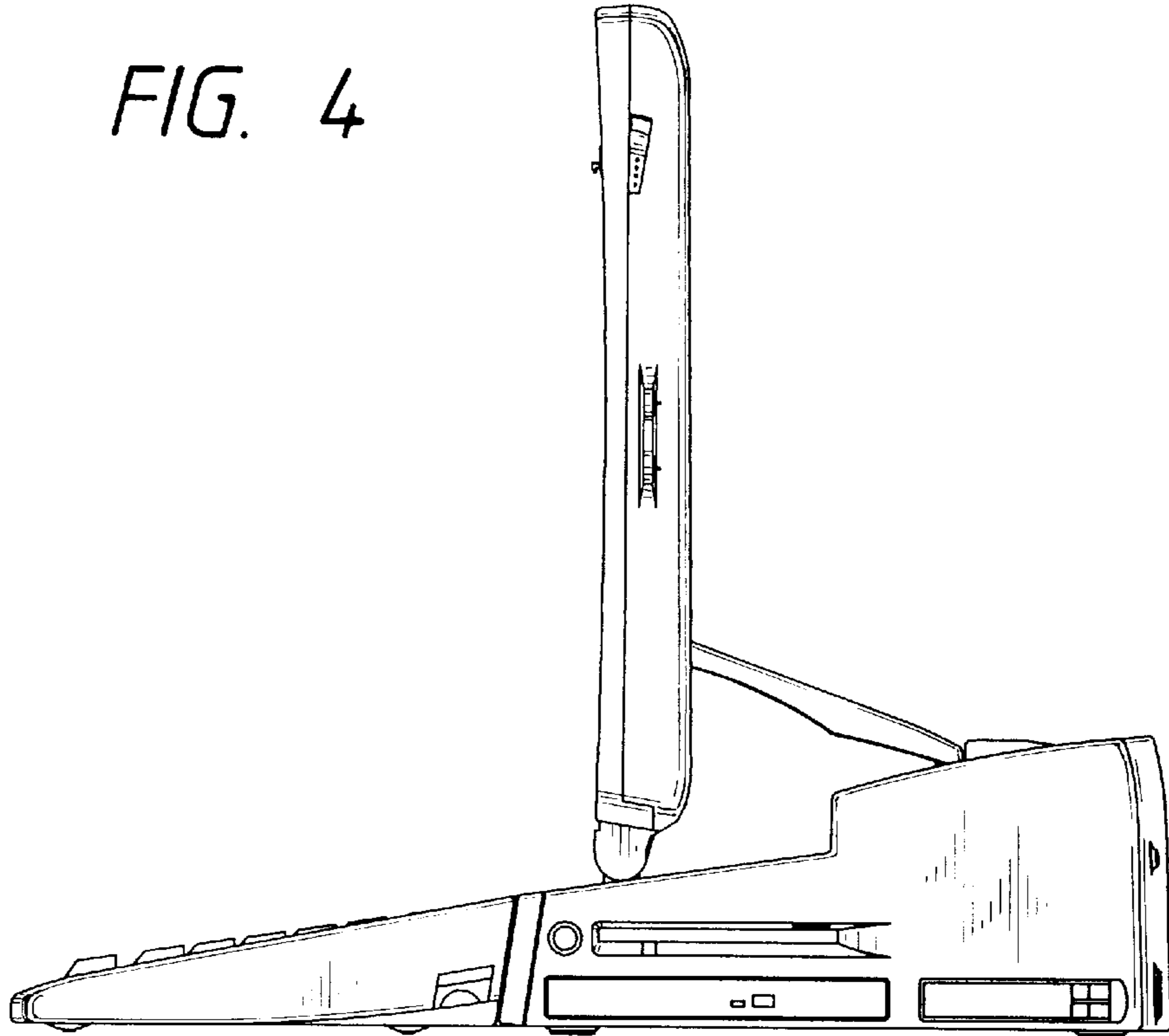


FIG. 5

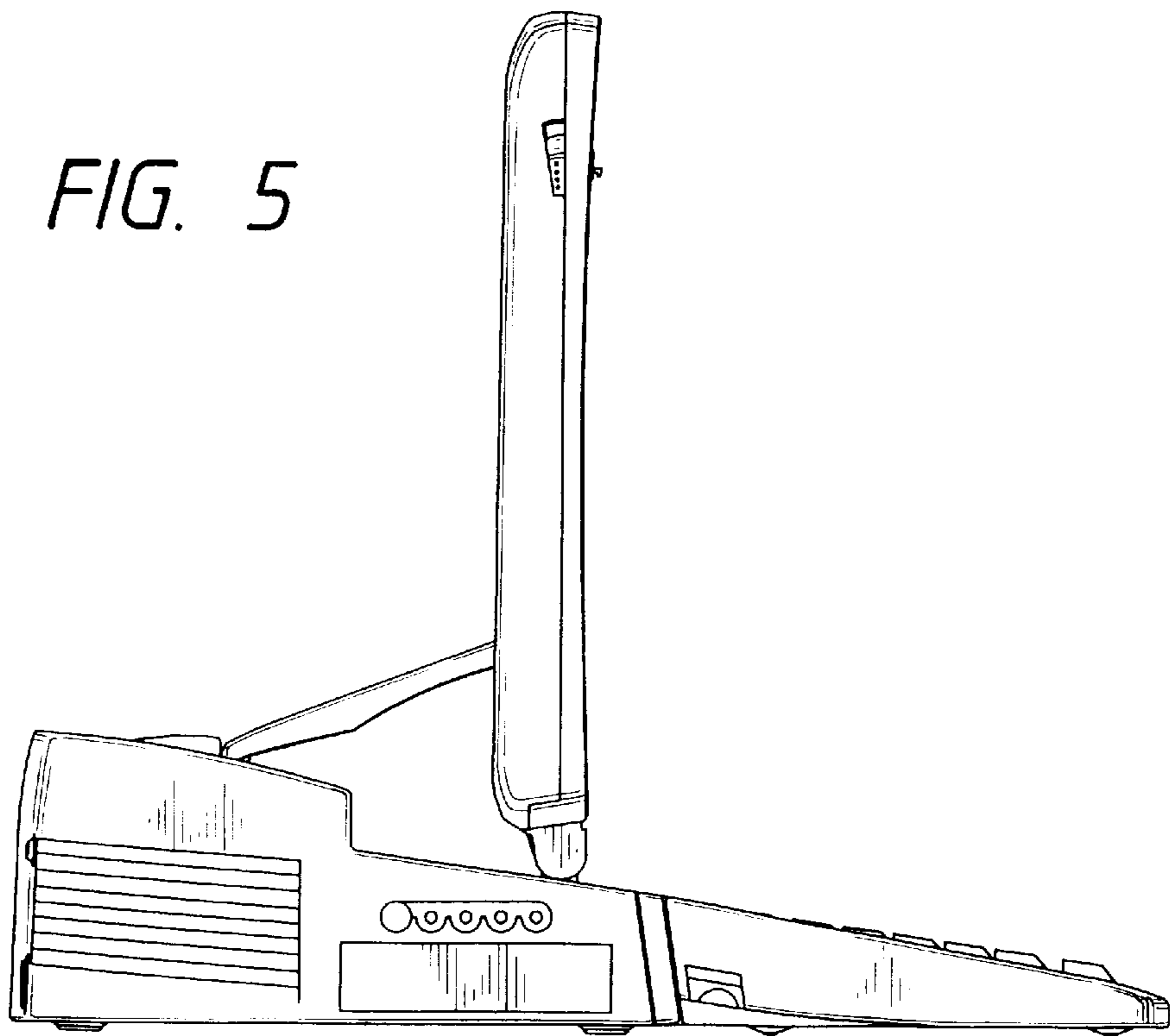


FIG. 6

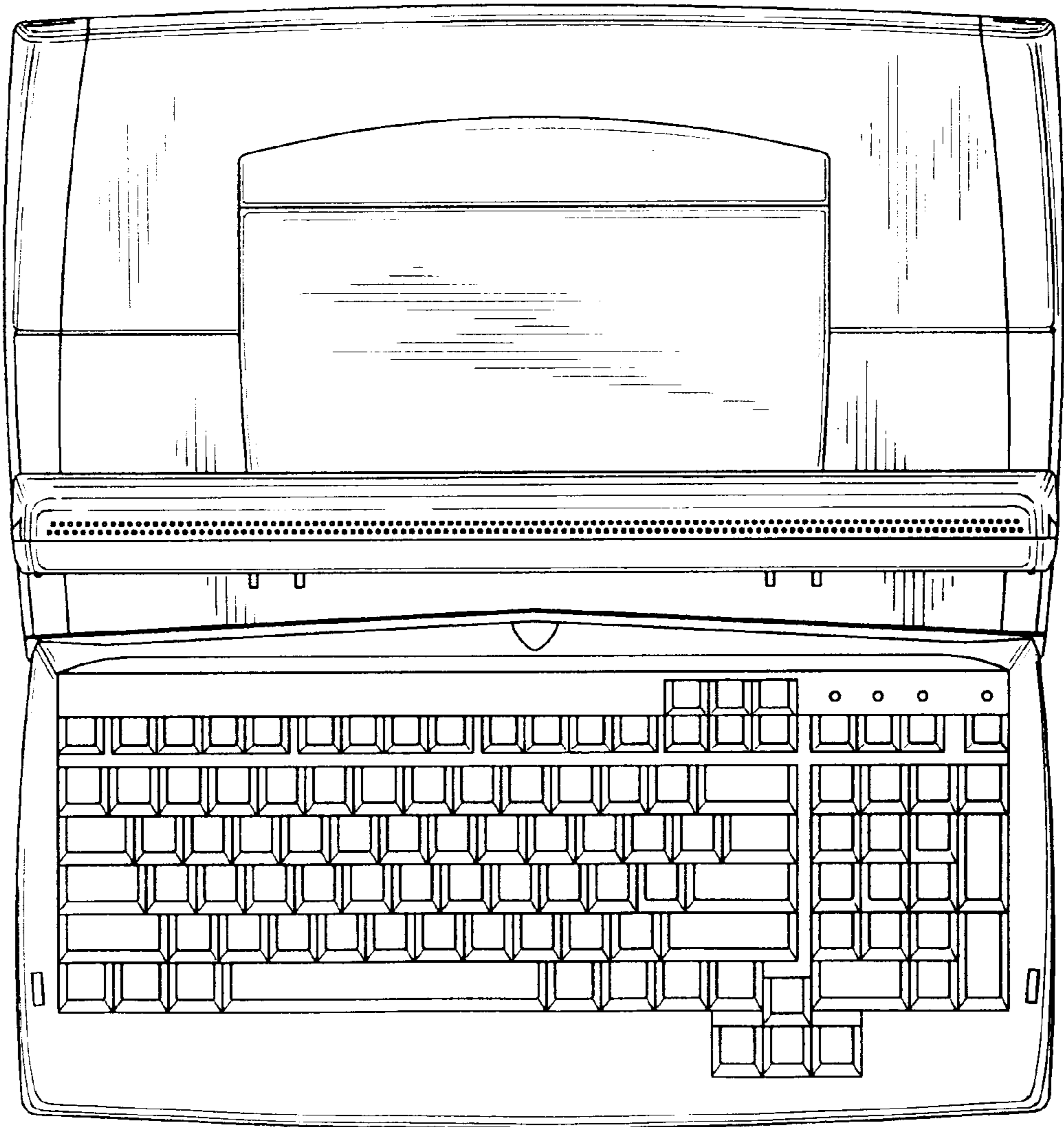
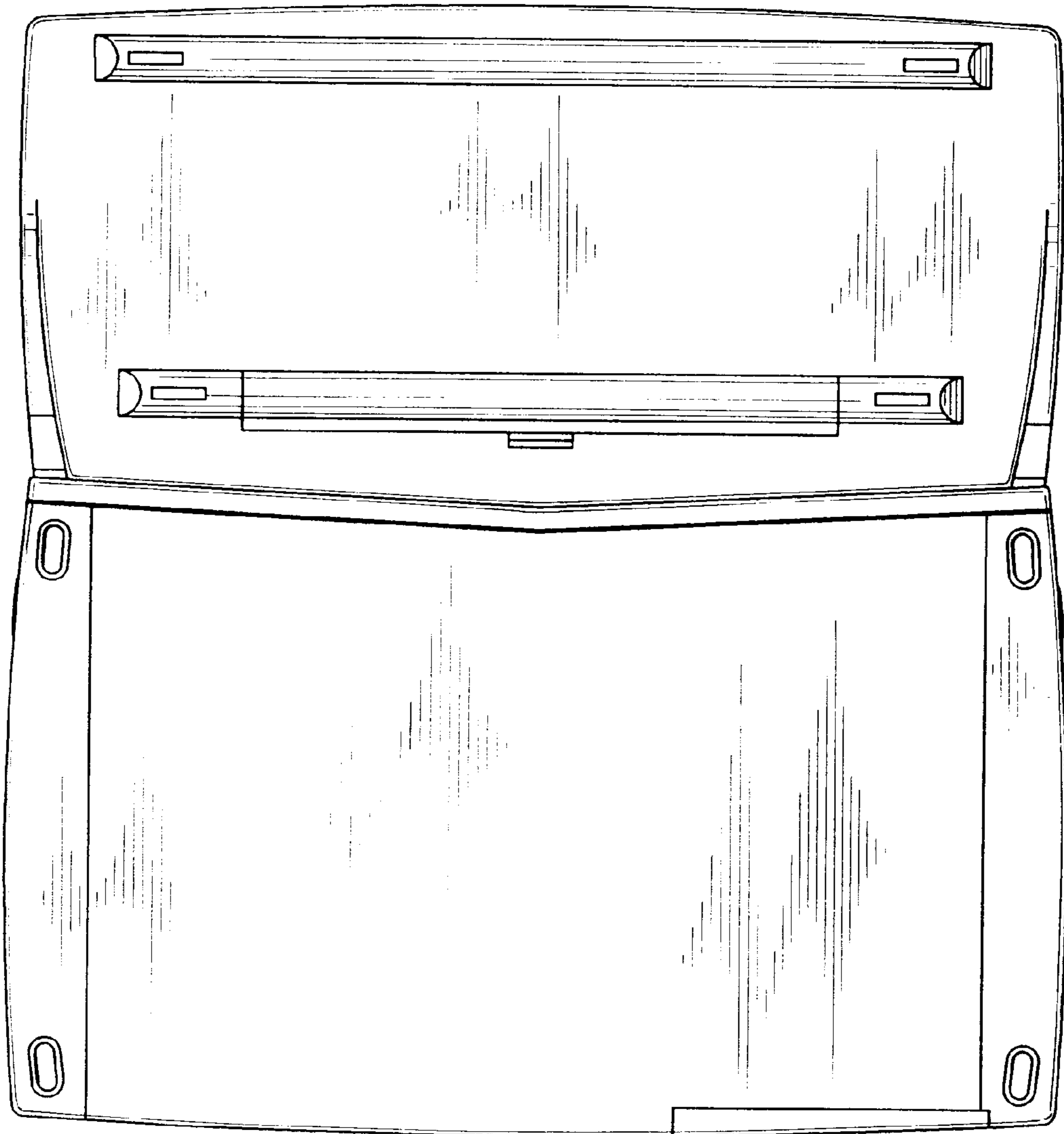


FIG. 7



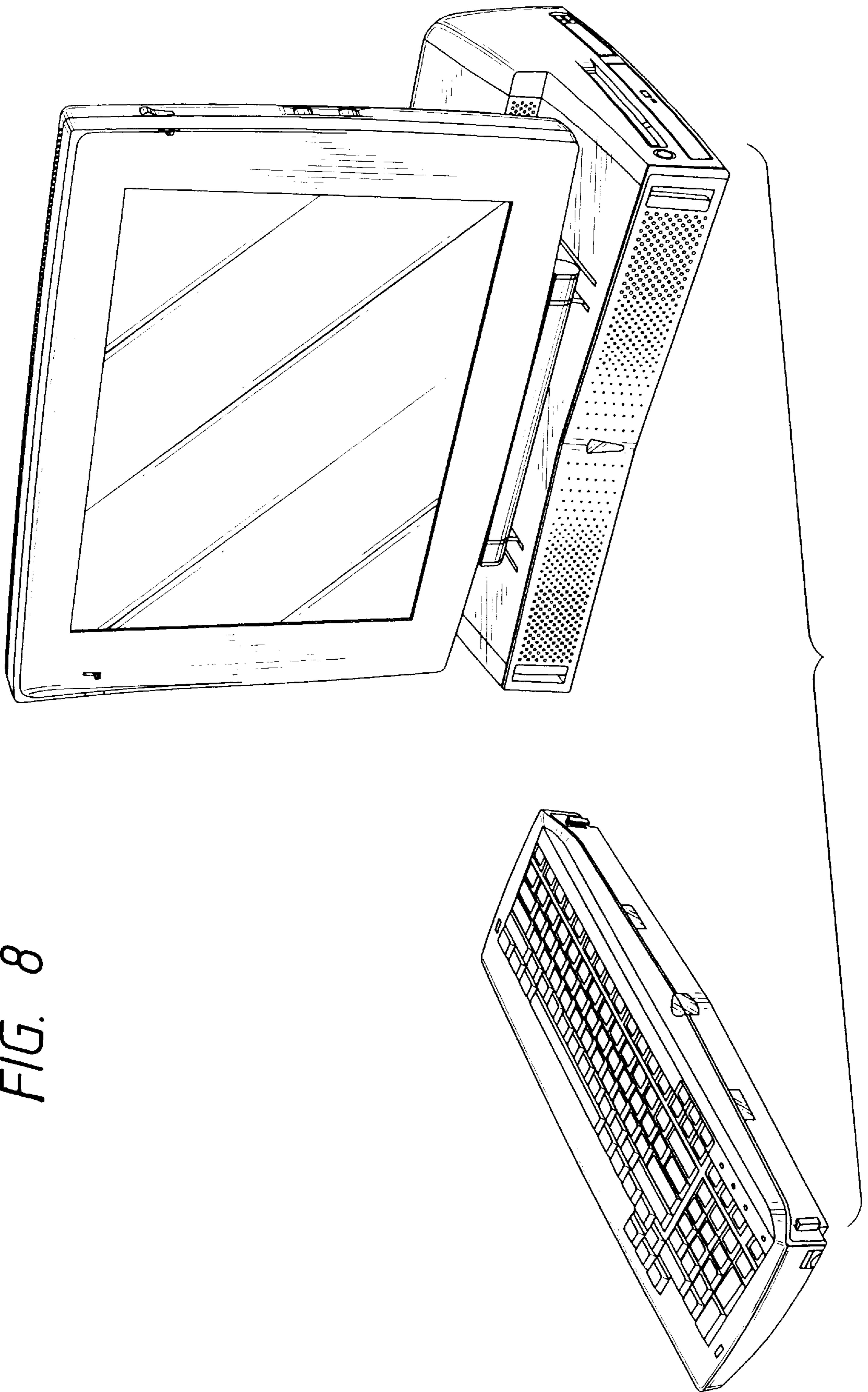


FIG. 8