



US00D430867S

United States Patent [19]

Smith et al.

[11] Patent Number: Des. 430,867

[45] Date of Patent: ** Sep. 12, 2000

[54] CABINET WITH MONITOR

[75] Inventors: **Graham Thomas Smith; Deborah Ingrid Fels; Jutta Treviranus**, all of Toronto; **Simranjit V. S. Singh**, Markham, all of Canada

[73] Assignees: **Ryerson Polytechnic University; The University of Toronto; Telbotics Inc.**, all of Toronto, Canada

[**] Term: **14 Years**

[21] Appl. No.: **29/113,724**

[22] Filed: **Nov. 12, 1999**

[30] **Foreign Application Priority Data**

May 12, 1999 [CA] Canada 1999-1177

[51] **LOC (7) Cl.** **14-02**

[52] **U.S. Cl.** **D14/308; D14/311**

[58] **Field of Search** D14/302, 304, D14/305, 307, 308, 133, 311; D6/448, 432, 446, 436, 445, 441; 312/223.2, 293

[56] **References Cited**

U.S. PATENT DOCUMENTS

D. 341,826 11/1993 Falkner et al. D14/311

D. 342,514 12/1993 Gilmore D14/133
D. 344,072 2/1994 Bates et al. D14/311
5,281,018 1/1994 Cullinan 312/223.2

Primary Examiner—Freda Nunn
Attorney, Agent, or Firm—Riches, McKenzie & Herbert; Jeffrey Pervanas

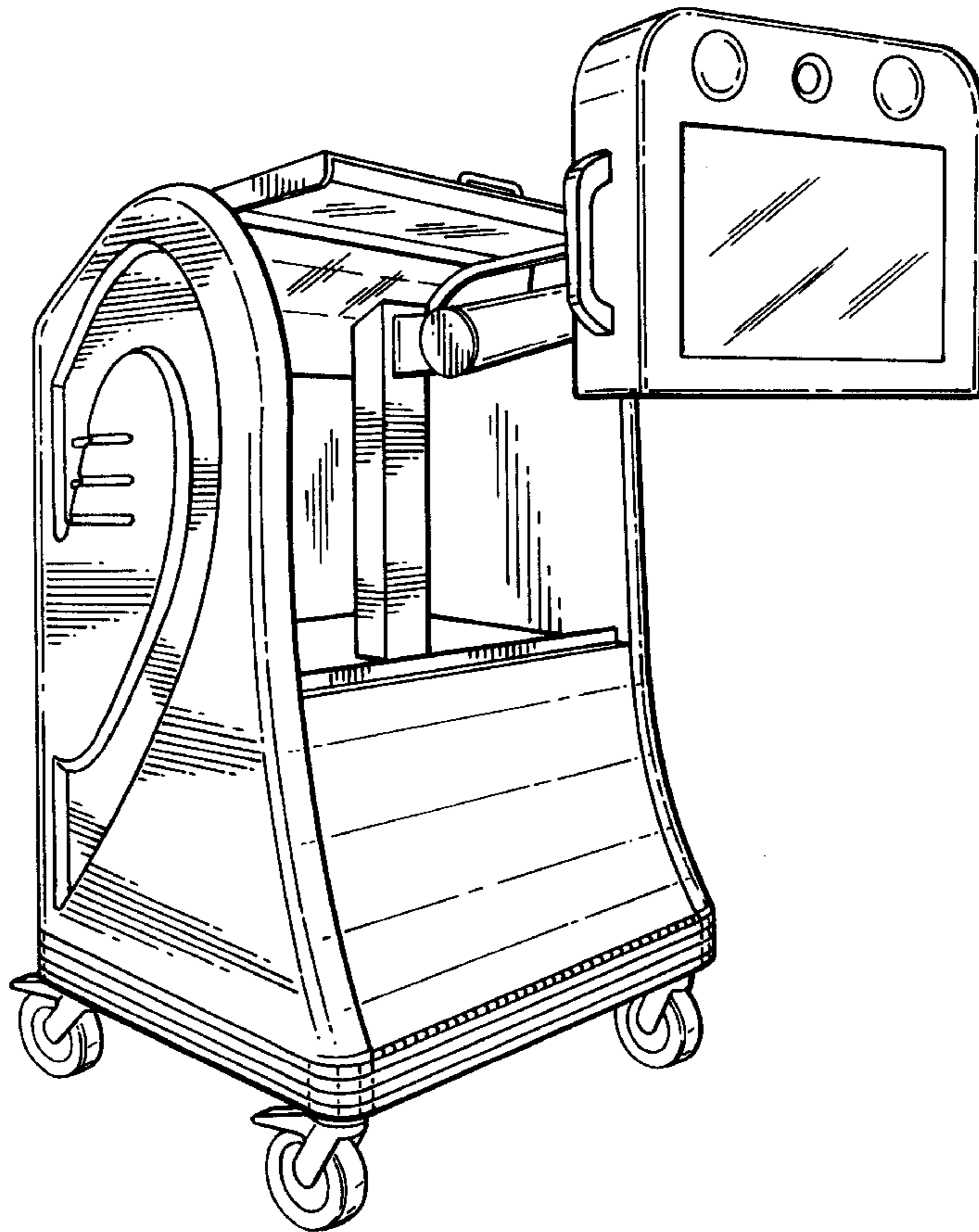
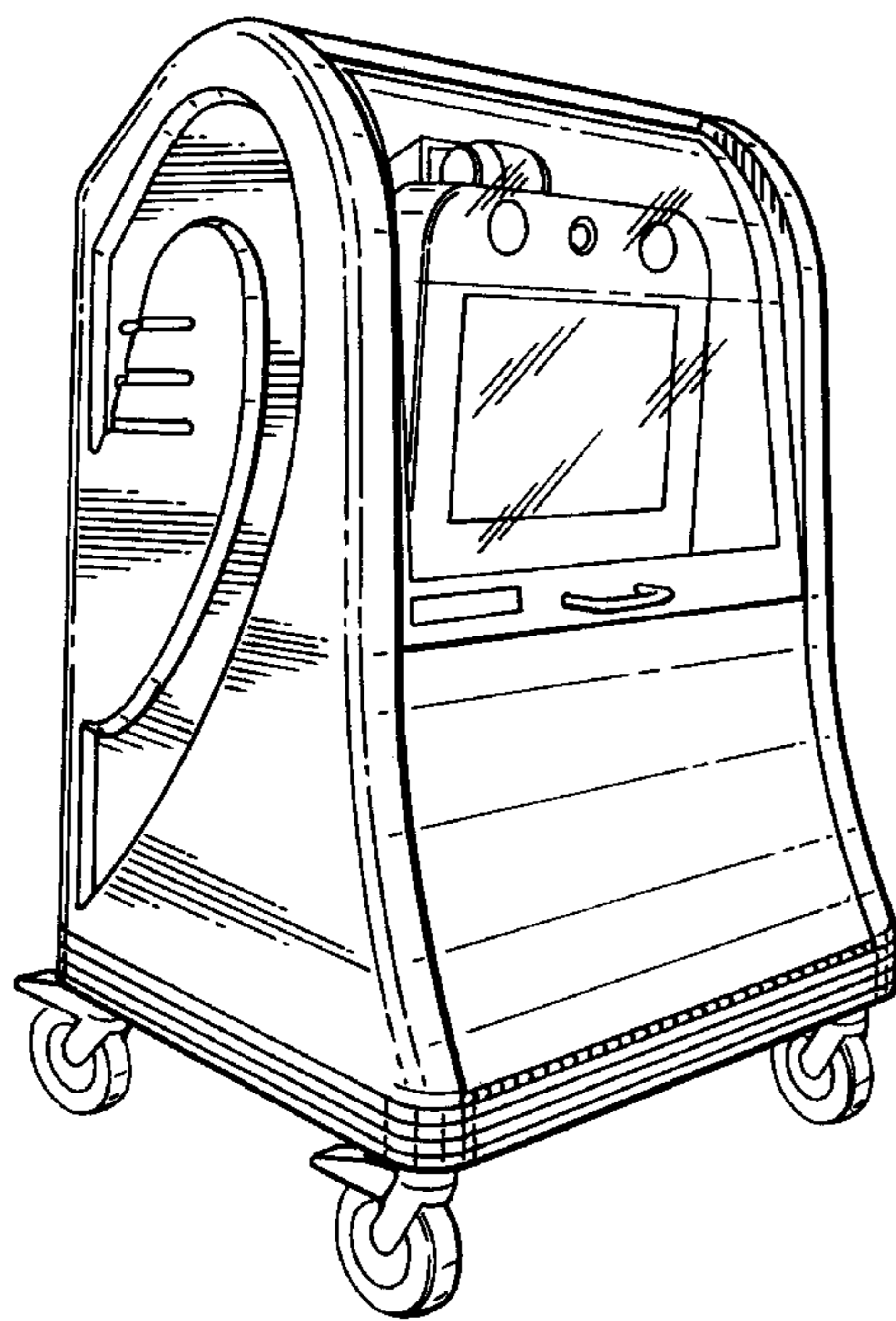
[57] **CLAIM**

We claim the ornamental design for a cabinet with monitor, as shown and described.

DESCRIPTION

FIG. 1 is a front side perspective view of a cabinet with monitor showing our new design;
FIG. 2 is a front view thereof;
FIG. 3 is a side view thereof;
FIG. 4 is a rear view thereof;
FIG. 5 is an opposite side view thereof;
FIG. 6 is a top plan view thereof;
FIG. 7 is another front side perspective view thereof with the door shown opened; and,
FIG. 8 is another front side perspective view thereof with the door shown opened and the monitor extended forward.

1 Claim, 4 Drawing Sheets



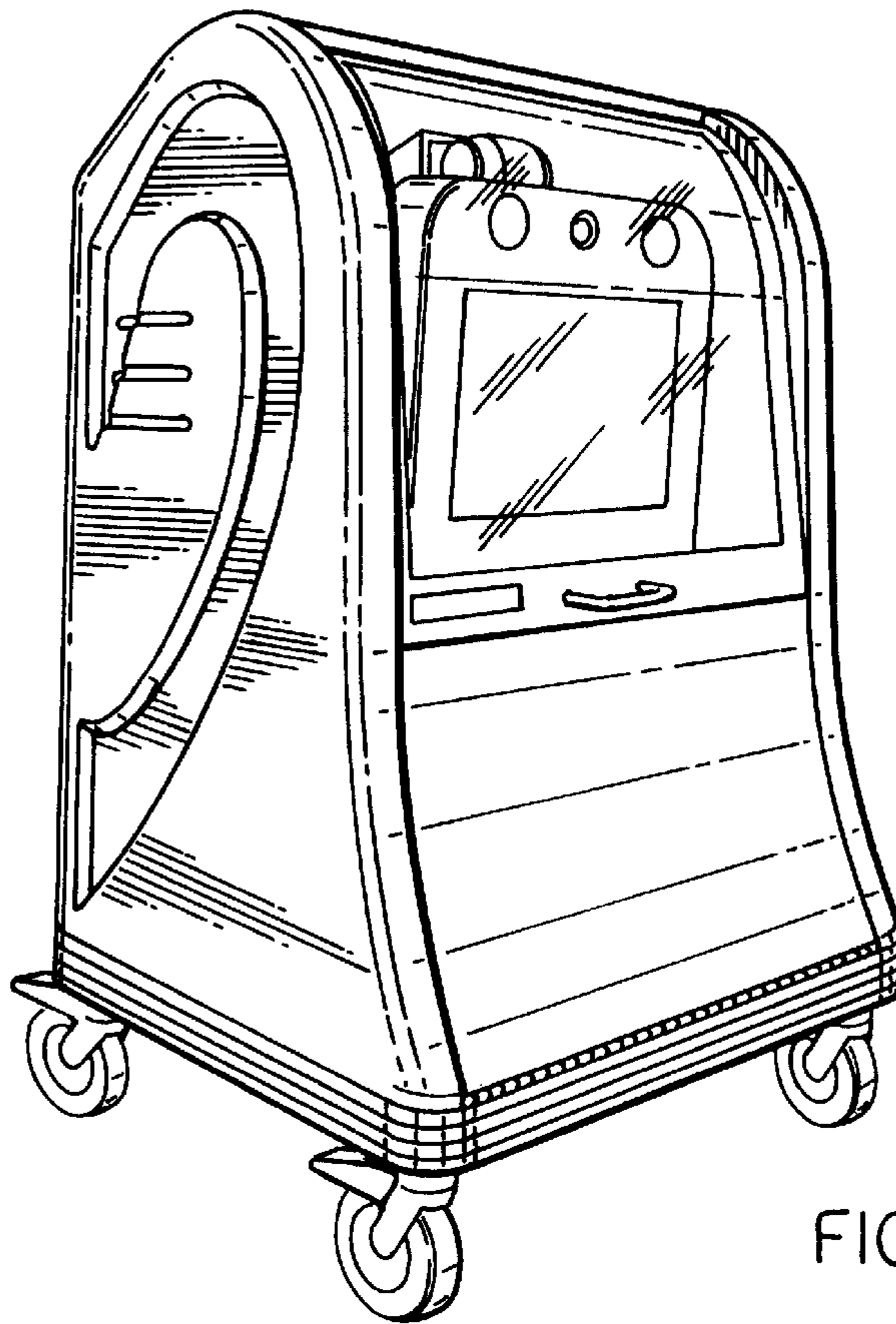


FIG. 1.

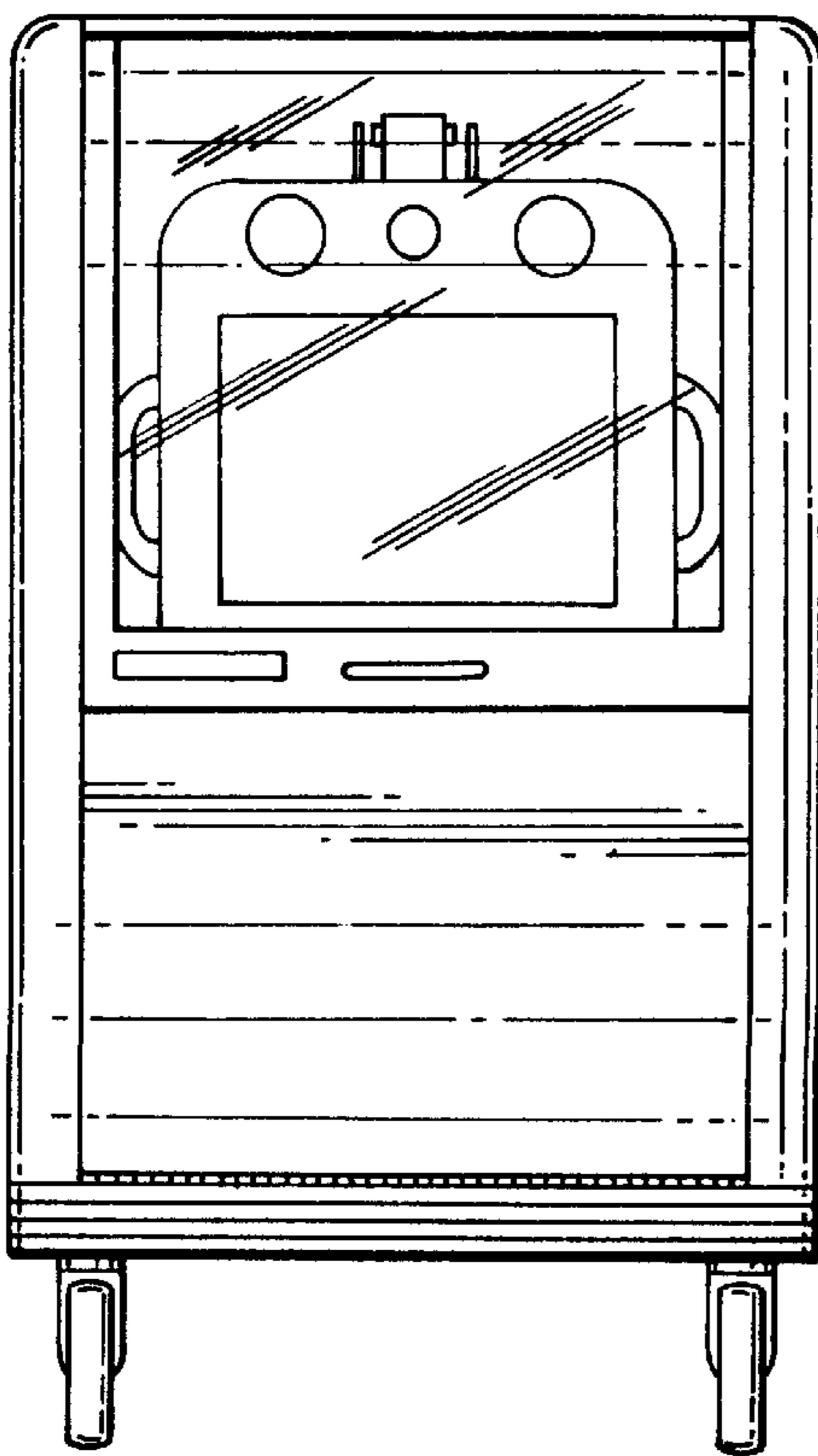


FIG. 2.

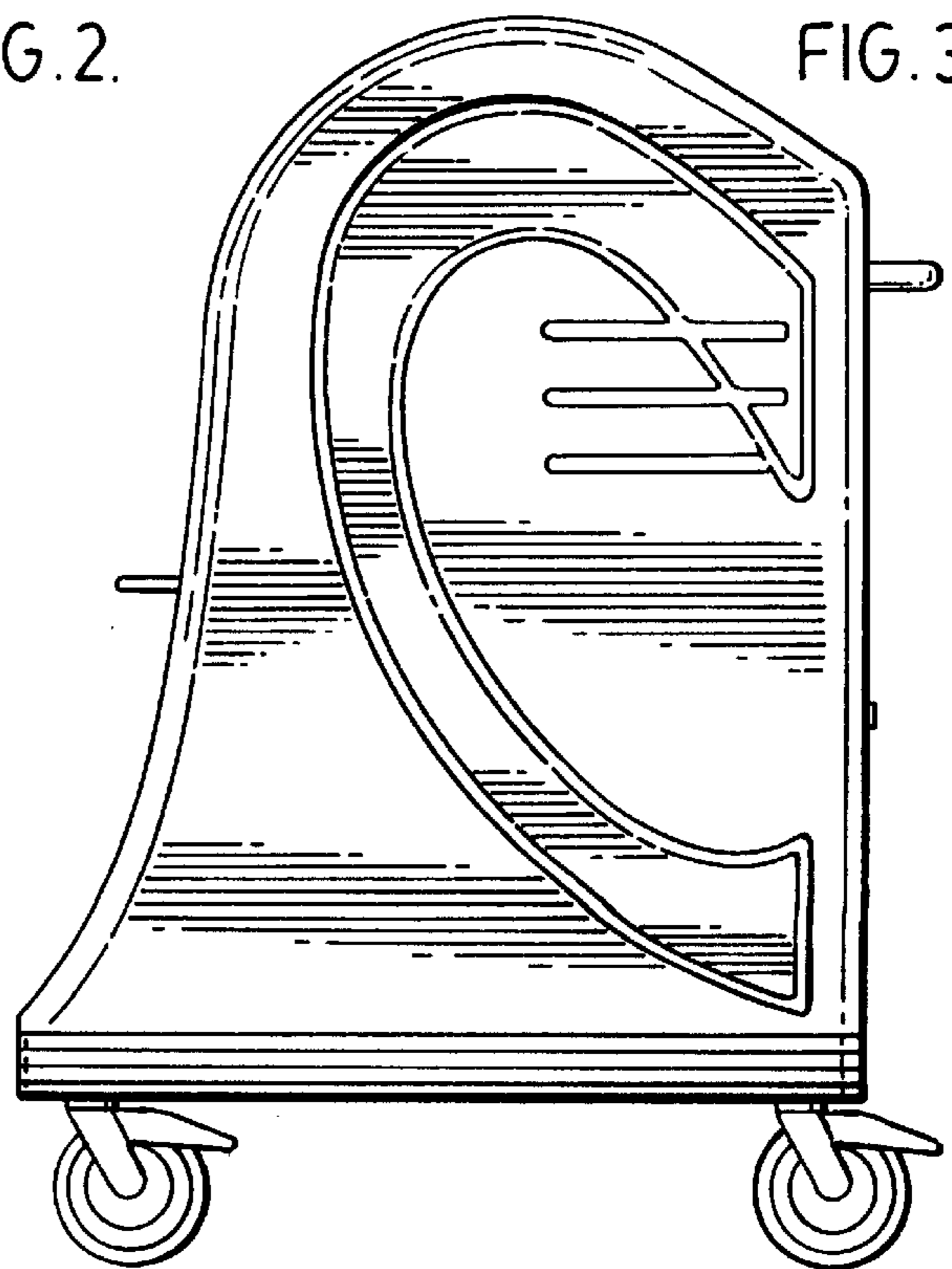


FIG. 3.

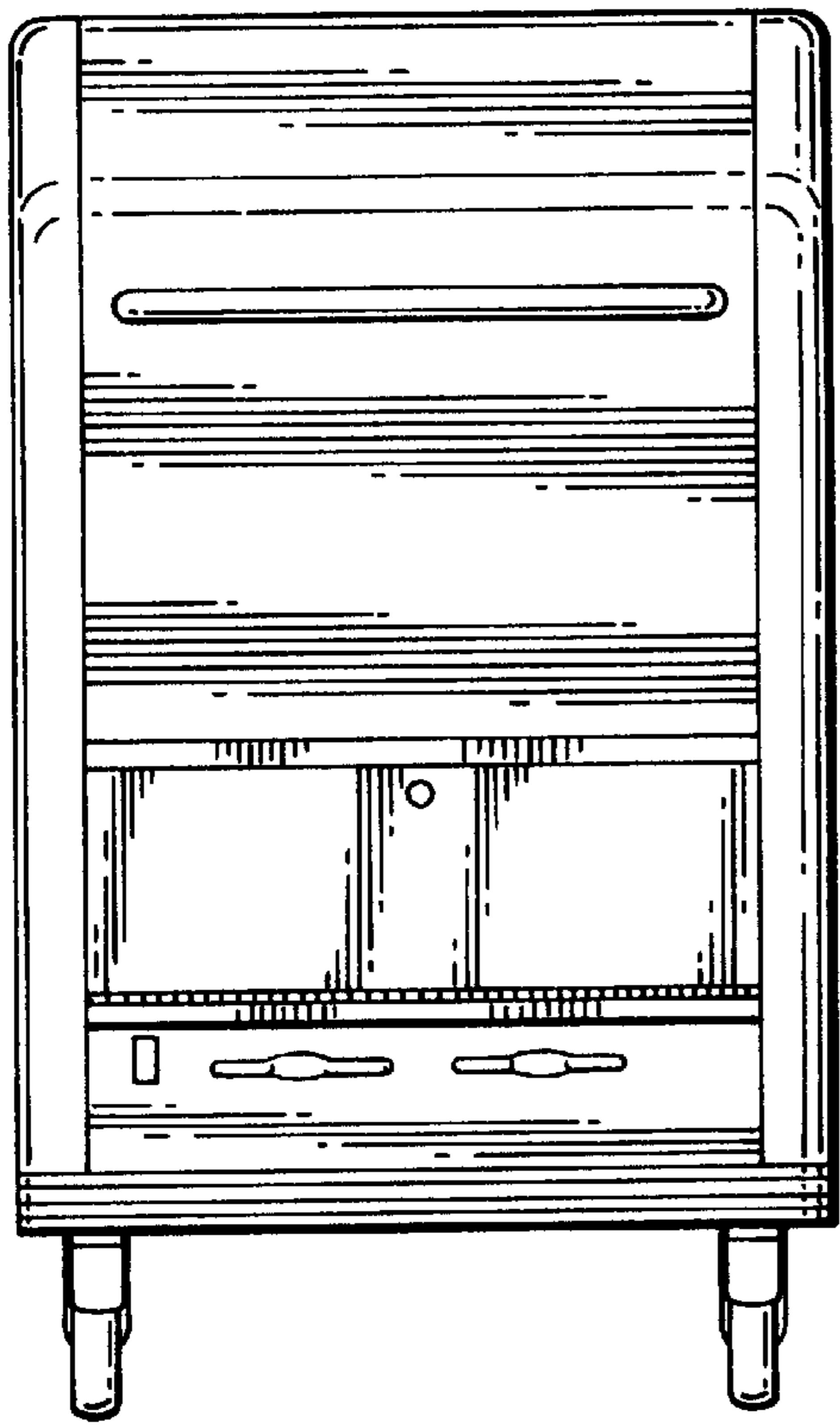


FIG. 4.

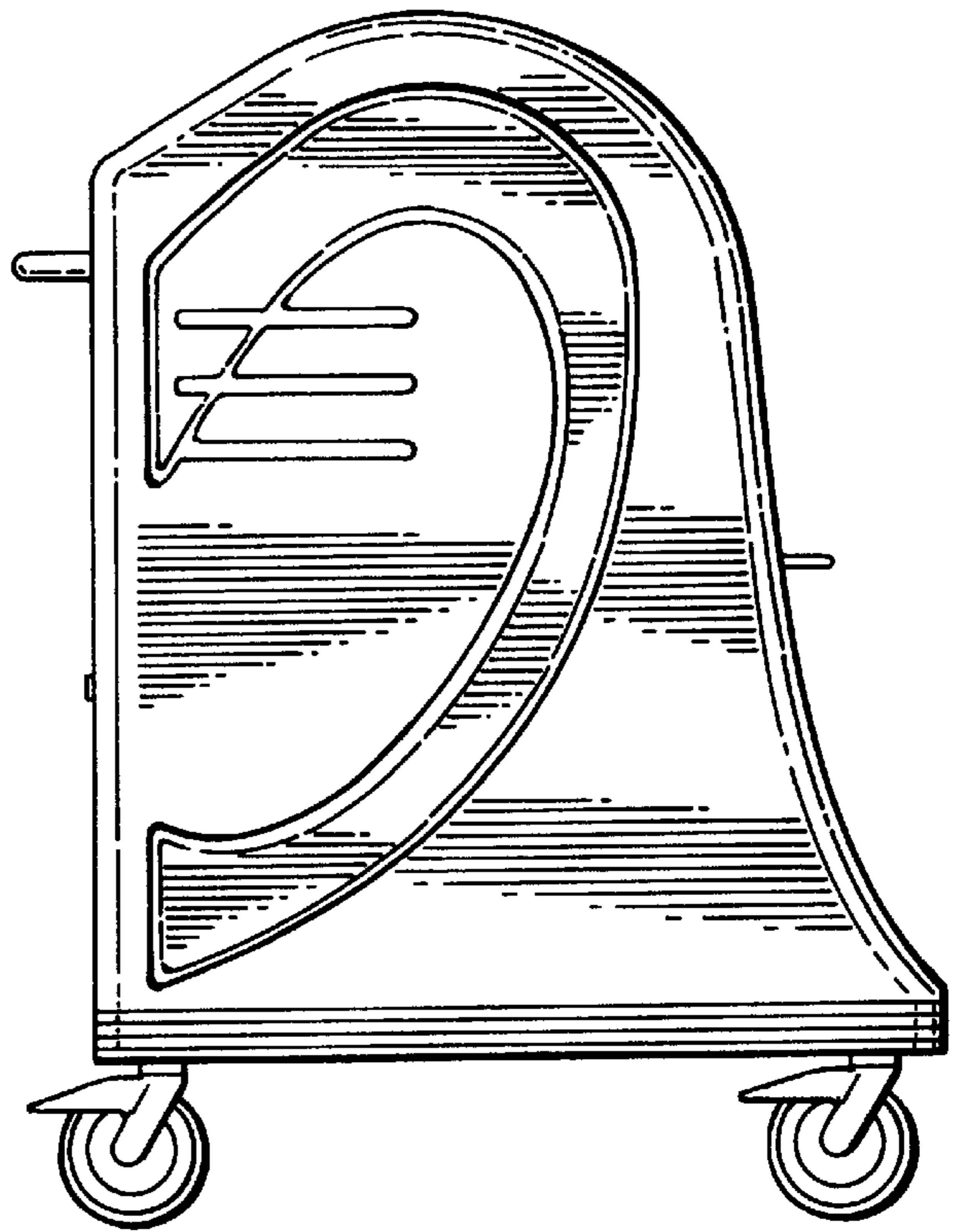


FIG. 5.

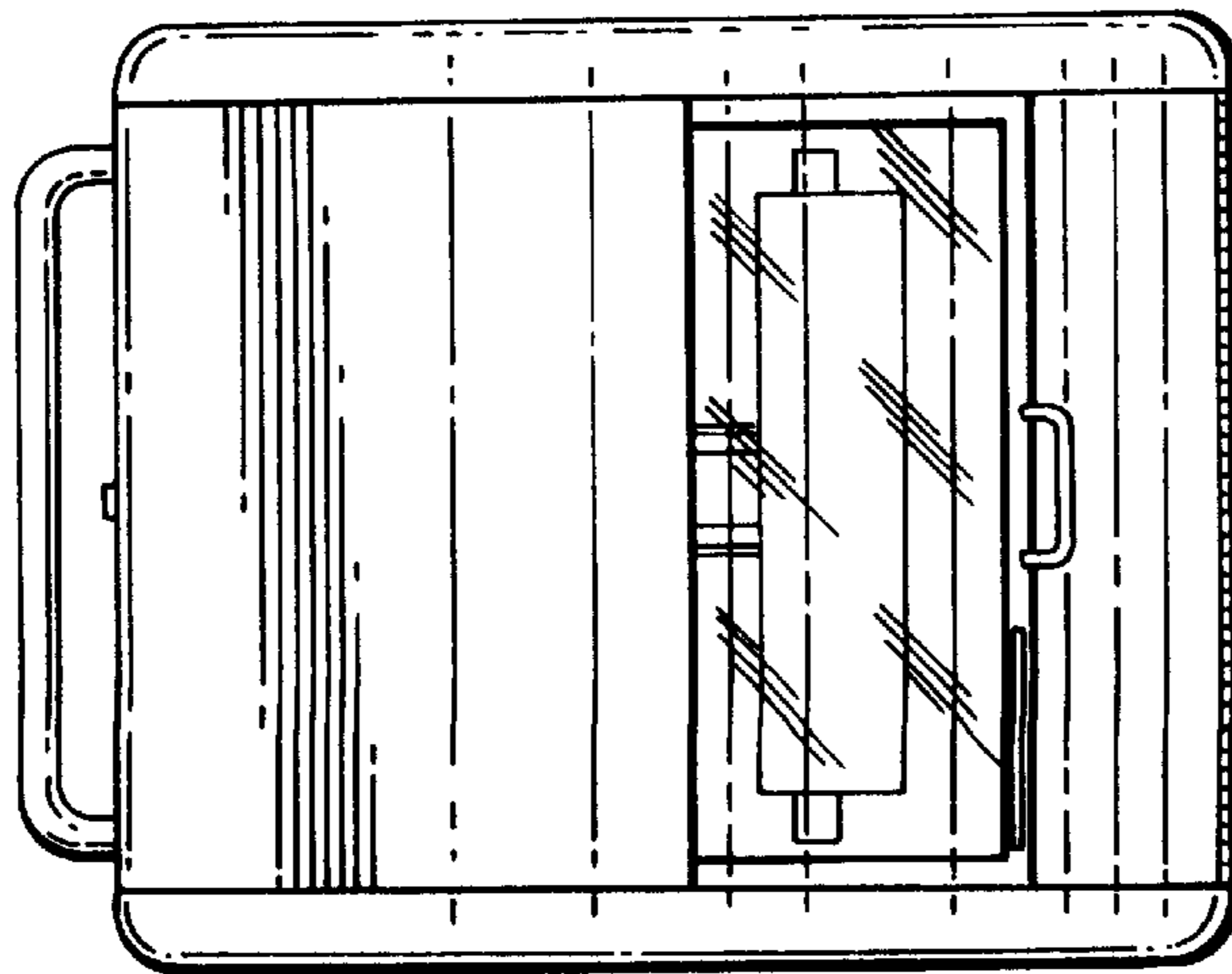


FIG. 6.

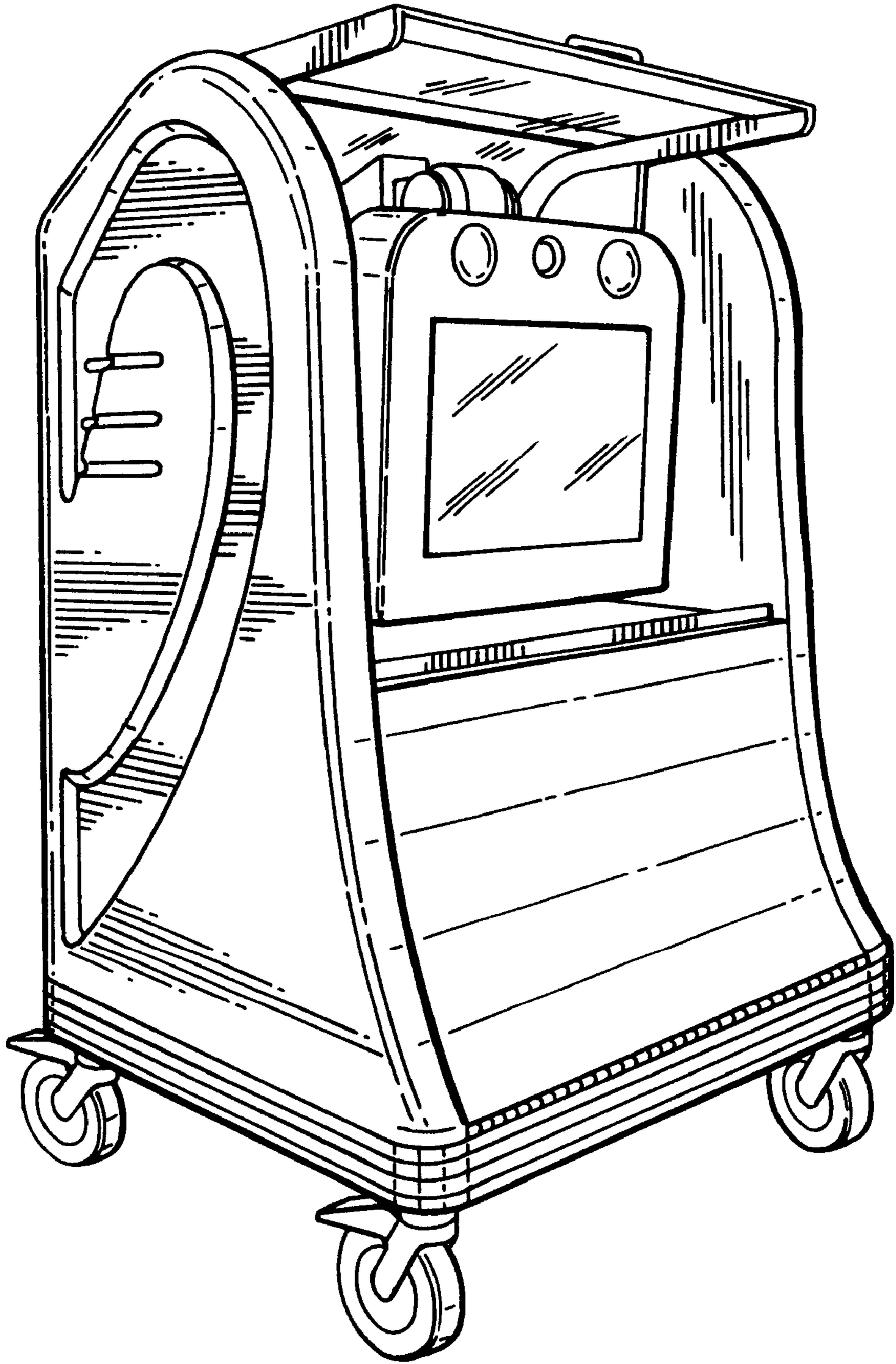


FIG. 7.

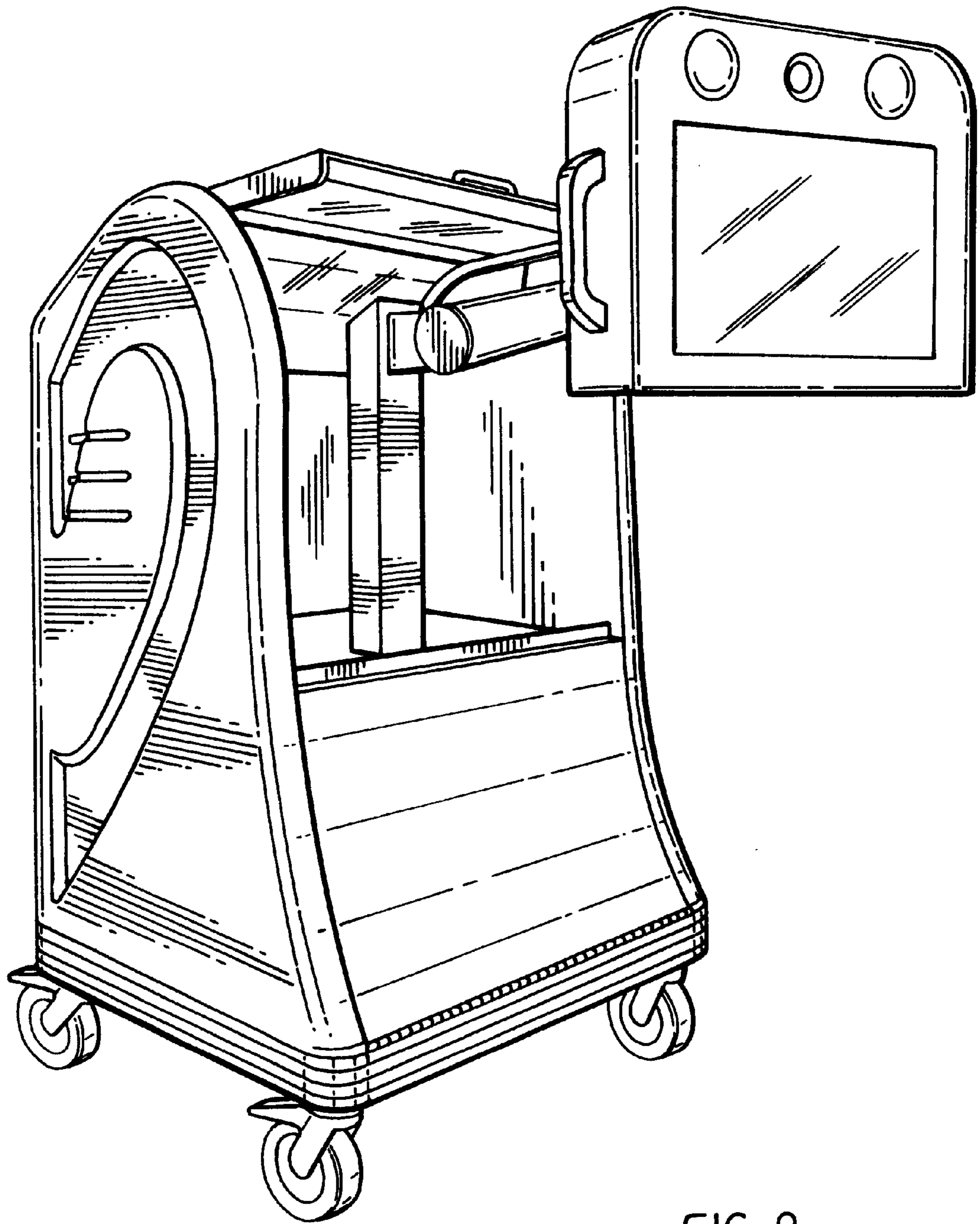


FIG. 8.