



US00D430863S

# United States Patent [19]

Sumii et al.

[11] Patent Number: **Des. 430,863**

[45] Date of Patent: **\*\* Sep. 12, 2000**

[54] **DISC PLAYER COMBINED WITH RADIO RECEIVER, TAPE PLAYER AND RECORDER**

D. 350,960 9/1994 Sakata et al. .... D14/168  
D. 354,285 1/1995 Lee ..... D14/168

[75] Inventors: **Tetsu Sumii; Takayuki Kobayashi,**  
both of Tokyo, Japan

### OTHER PUBLICATIONS

Catalog, "89," pp. 96, 117 & 332, Sony (Jul. 1998).

[73] Assignee: **Sony Corporation,** Tokyo, Japan

*Primary Examiner*—Nanda Bondade  
*Attorney, Agent, or Firm*—Rader, Fishman & Grauer

[\*\*] Term: **14 Years**

### [57] CLAIM

[21] Appl. No.: **29/097,163**

The ornamental design for a disc player combined with radio receiver, tape player and recorder, as shown and described.

[22] Filed: **Nov. 30, 1998**

### DESCRIPTION

[51] **LOC (7) Cl.** ..... **14-01**

[52] **U.S. Cl.** ..... **D14/168**

[58] **Field of Search** ..... D14/124, 156,  
D14/160-168, 188, 193-198, 204, 209-216;  
181/144-147, 150, 153, 157, 198-199;  
381/24, 88, 90, 153, 159, 188; 455/344,  
350, 351

FIG. 1 is a perspective view of a disc player combined with radio receiver, tape player and recorder showing our new design;

FIG. 2 is a top plan view thereof;

FIG. 3 is a front elevational view thereof;

FIG. 4 is a left side elevational view thereof;

FIG. 5 is a right side elevational view thereof;

FIG. 6 is a rear elevational view thereof; and

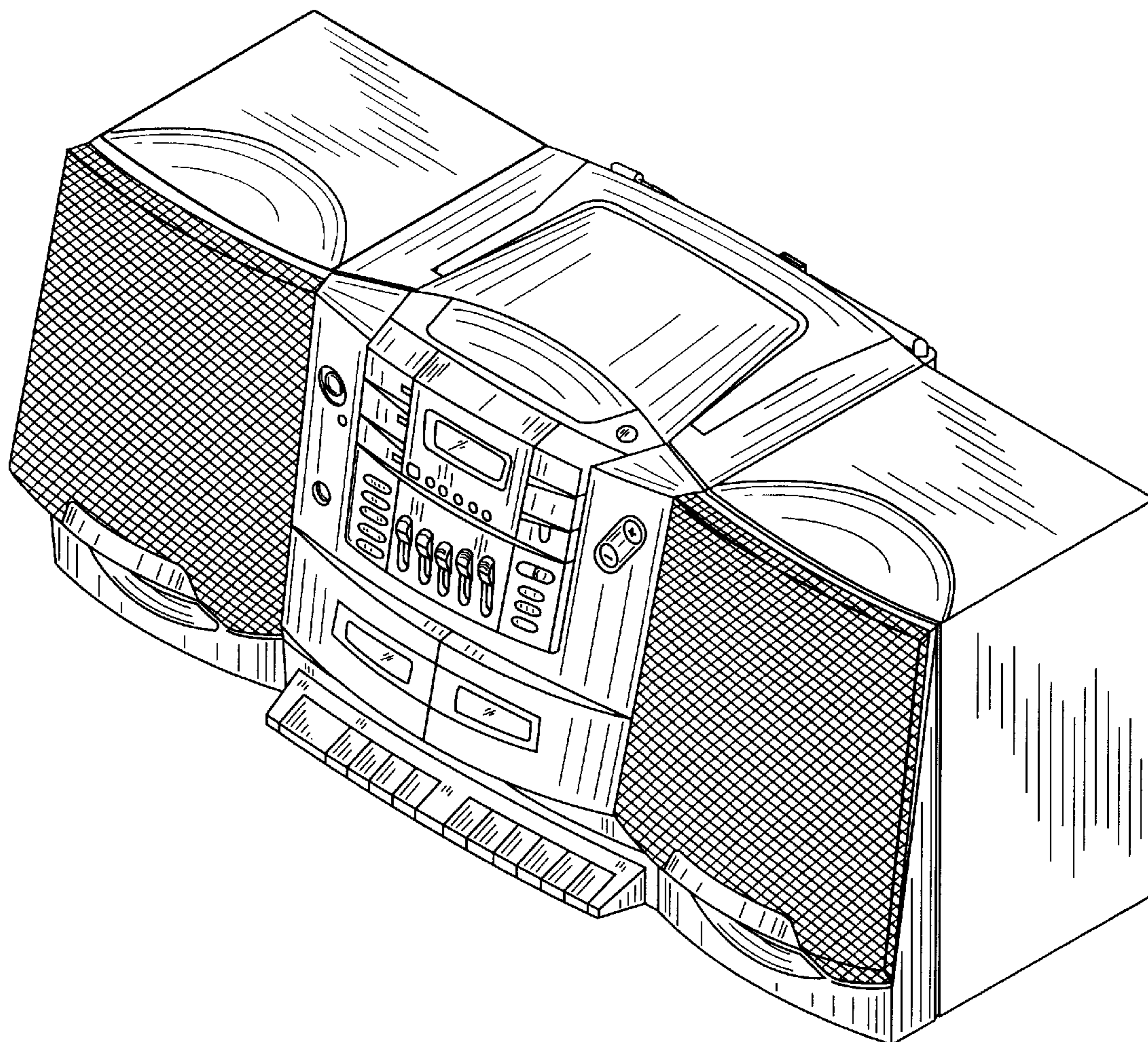
FIG. 7 is a bottom plan view thereof.

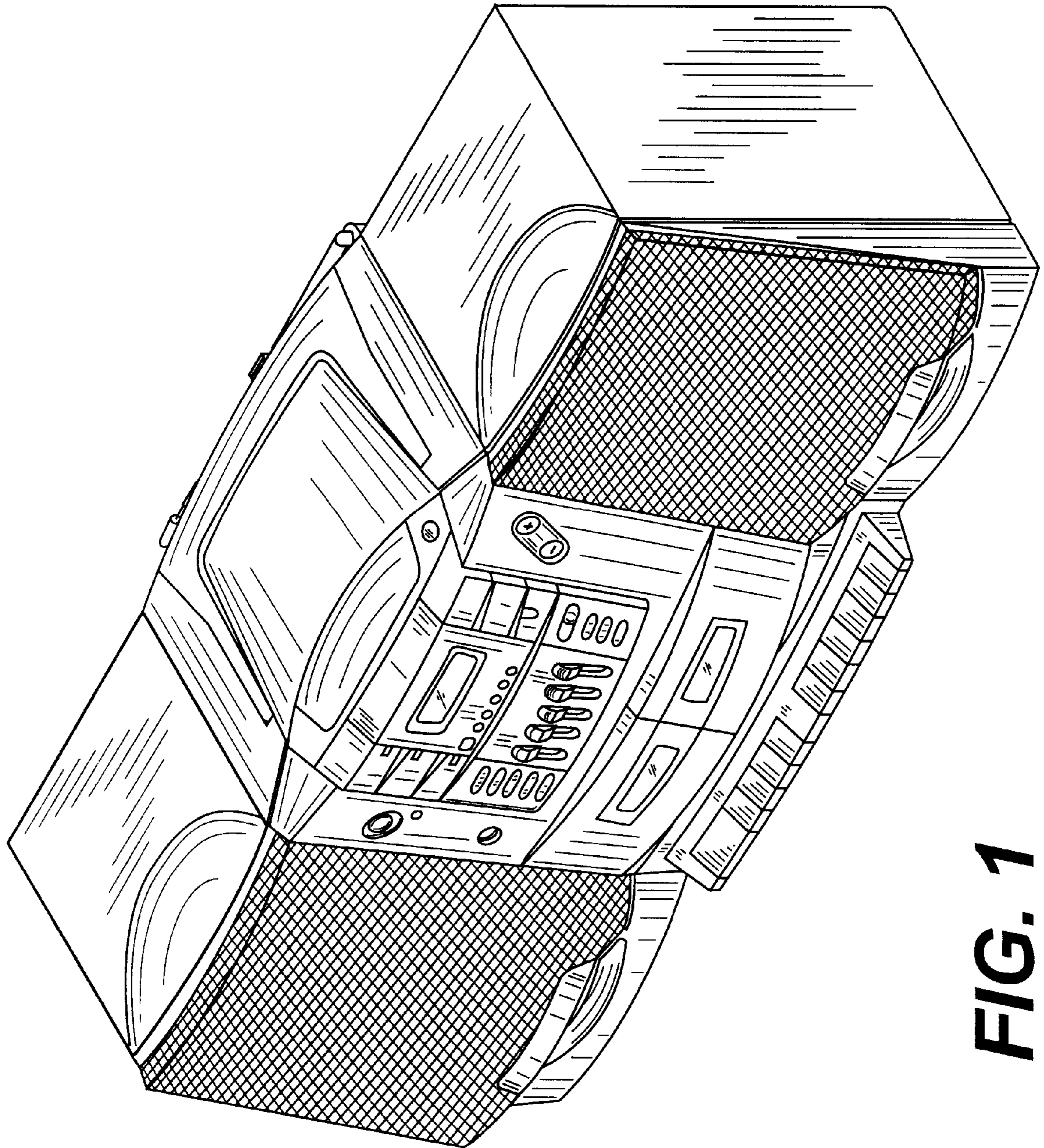
### [56] References Cited

#### U.S. PATENT DOCUMENTS

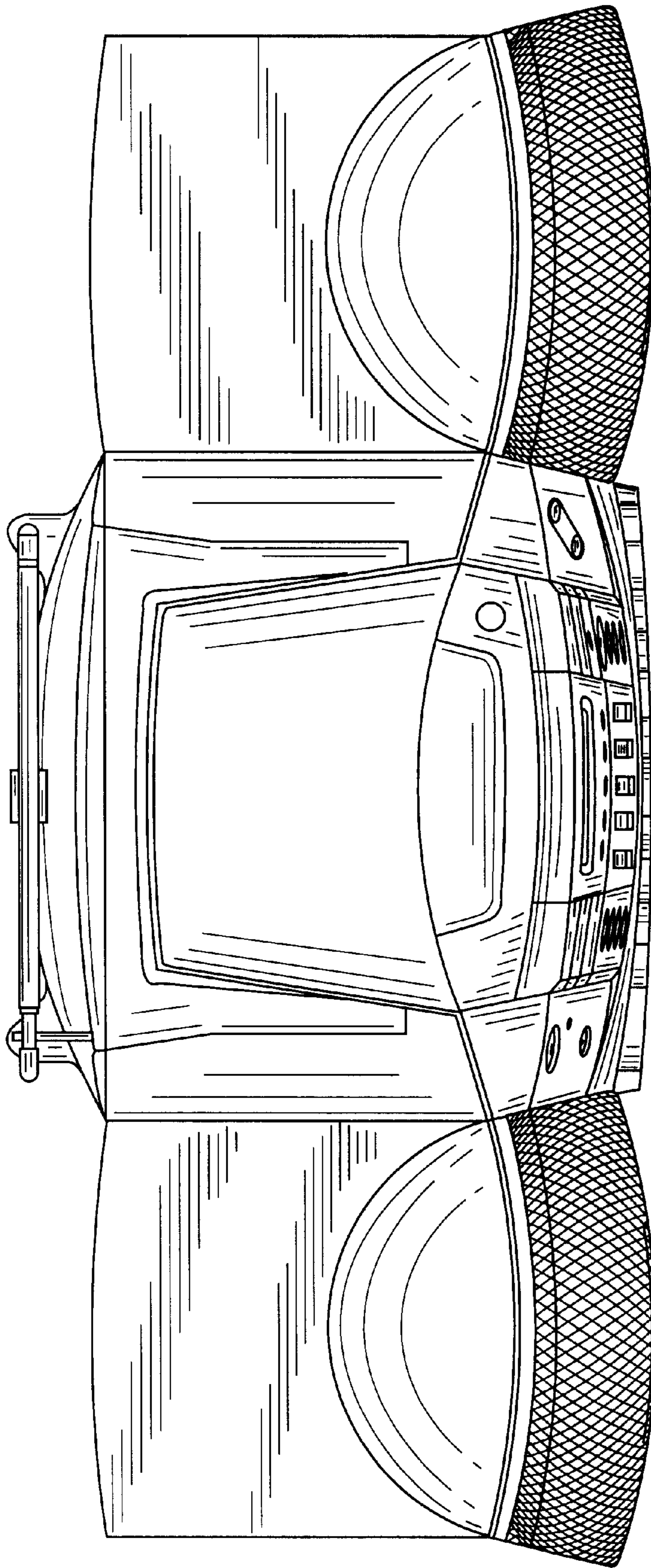
D. 339,345 9/1993 Fuke ..... D14/163 X

**1 Claim, 6 Drawing Sheets**

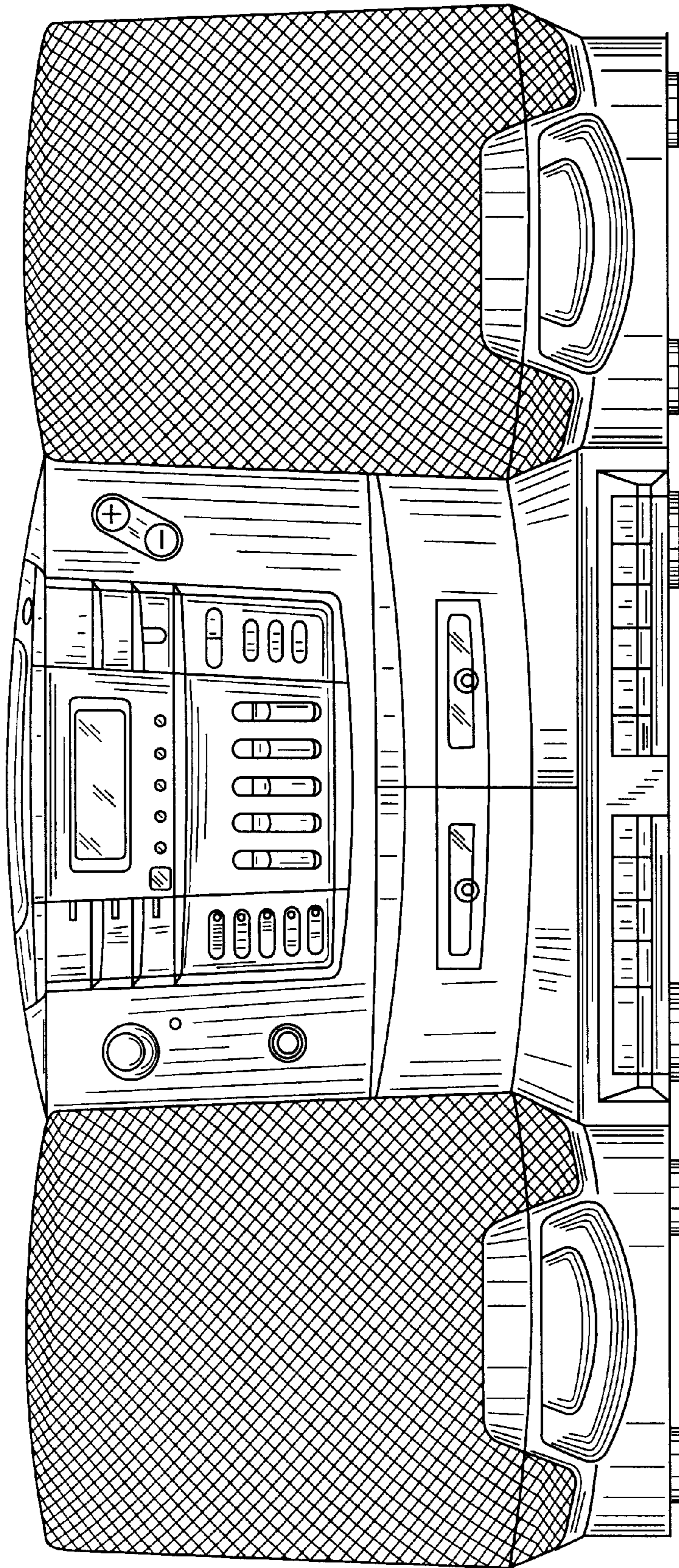




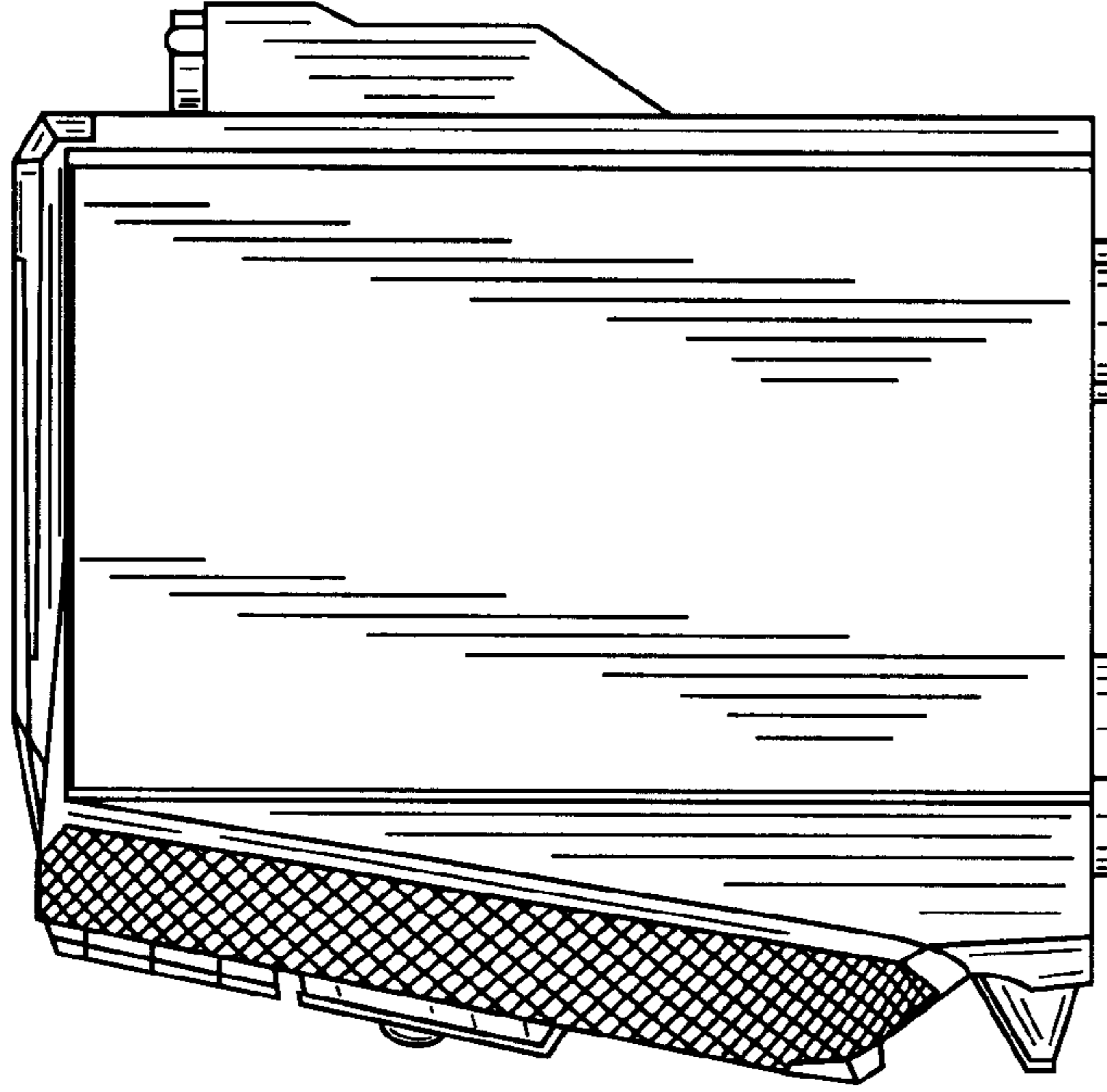
**FIG. 1**



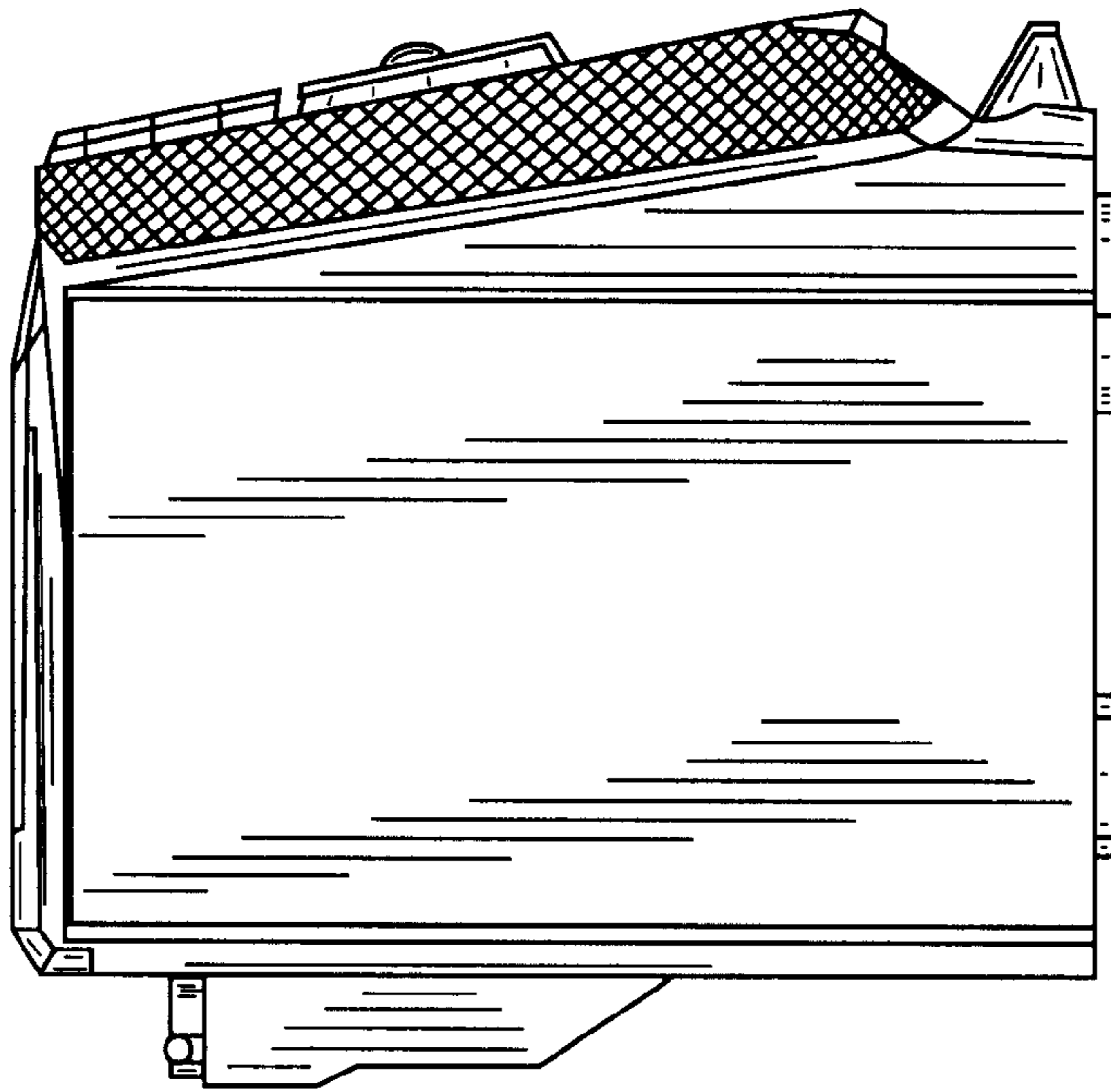
**FIG. 2**



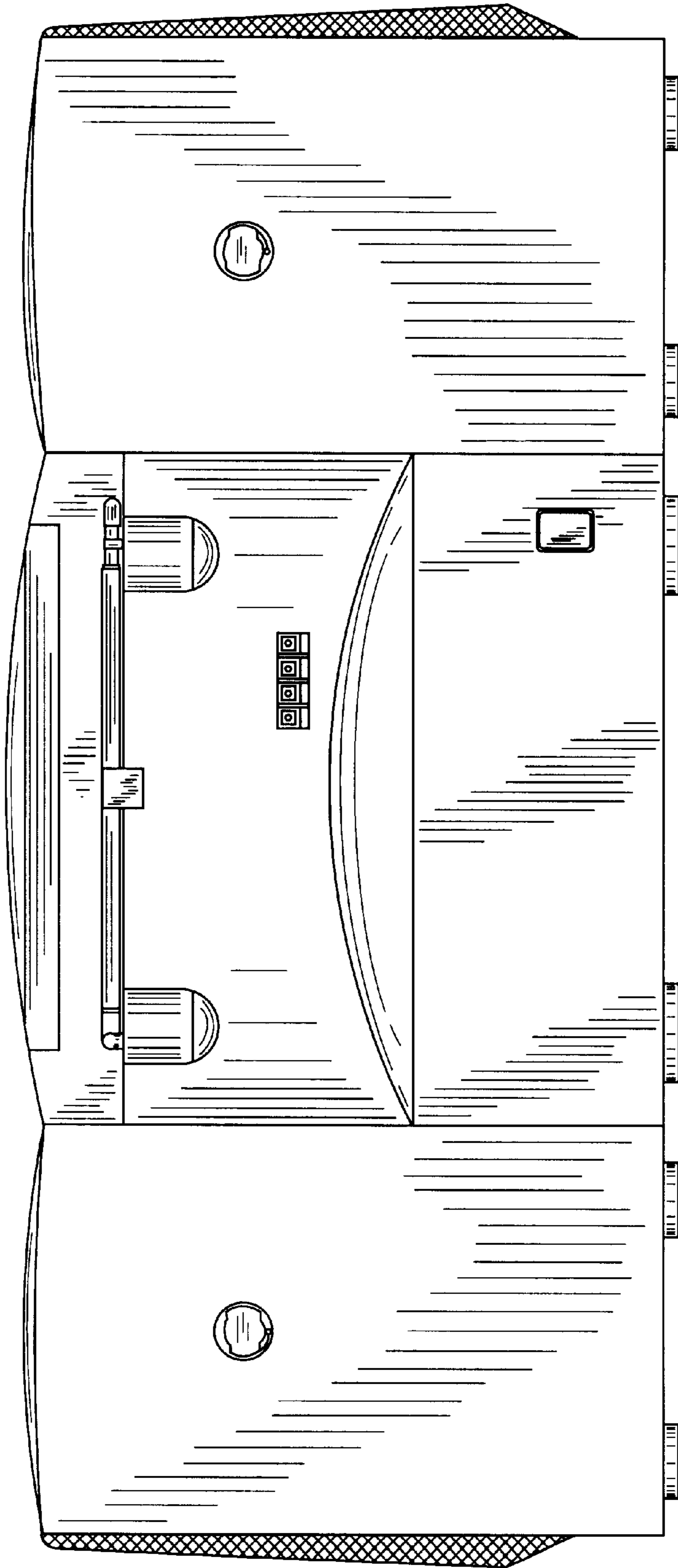
**FIG. 3**



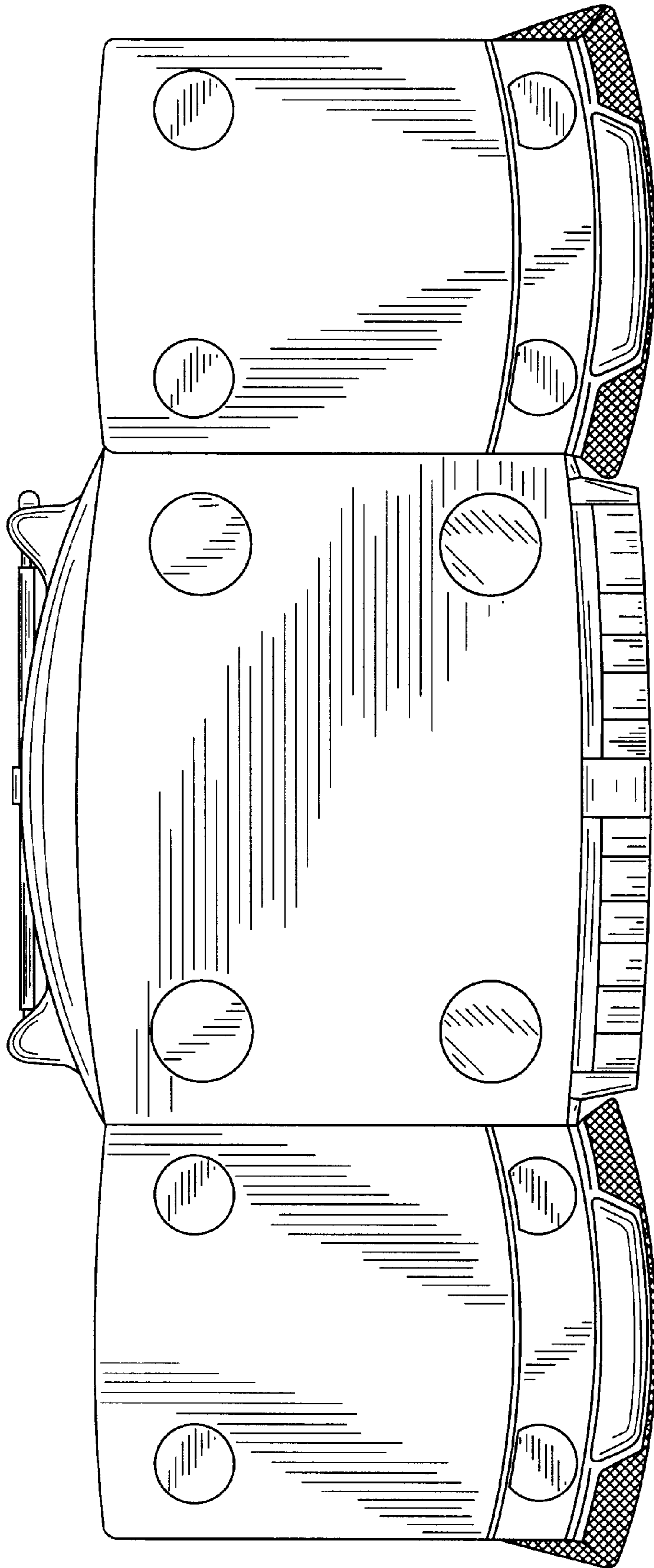
**FIG. 5**



**FIG. 4**



**FIG. 6**



**FIG. 7**