



US00D430857S

# United States Patent [19]

Solomon

[11] Patent Number: Des. 430,857

[45] Date of Patent: \*\* Sep. 12, 2000

[54] HOUSING FOR MOUNTING, ARRANGING AND SECURING ELECTRICAL POWER LINES TO A COMPUTER

4,500,150 2/1985 Leibensperger et al. .... 439/502  
4,778,125 10/1988 Hu ..... 242/405.2  
5,727,745 3/1998 Vara ..... 242/407 X

[76] Inventor: Allen Solomon, 2029 E. 17th St., Brooklyn, N.Y. 11229

Primary Examiner—Joel Sincavage  
Attorney, Agent, or Firm—Goodman & Teitelbaum, Esqs.

[\*\*] Term: 14 Years

### [57] CLAIM

[21] Appl. No.: 29/106,702

The ornamental design for a housing for mounting, arranging and securing electrical power lines to a computer, as shown and described.

[22] Filed: Jun. 22, 1999

### DESCRIPTION

#### Related U.S. Application Data

[62] Division of application No. 29/074,186, Jul. 28, 1997, Pat. No. Des. 411,177.

FIG. 1 is a left side perspective view of a housing for mounting, arranging and securing electrical power lines to a computer, showing my new design;  
FIG. 2 is a top perspective view showing an open position thereof;  
FIG. 3 is a front perspective view thereof;  
FIG. 4 is a rear perspective view thereof;  
FIG. 5 is a left side, top and front perspective view thereof; and,  
FIG. 6 is a right side, top and front perspective view thereof.  
The undisclosed bottom view of the housing is unornamented.

[51] LOC (7) Cl. .... 13-03

[52] U.S. Cl. .... D13/199

[58] Field of Search ..... D13/199; D3/306; D8/356; 242/405.2, 407; 439/502; 361/683

#### [56] References Cited

##### U.S. PATENT DOCUMENTS

D. 348,760 7/1994 Linder ..... D3/306  
3,290,453 12/1966 Jensen ..... 242/407 X  
4,471,409 9/1984 Dittrich ..... 361/683

1 Claim, 3 Drawing Sheets

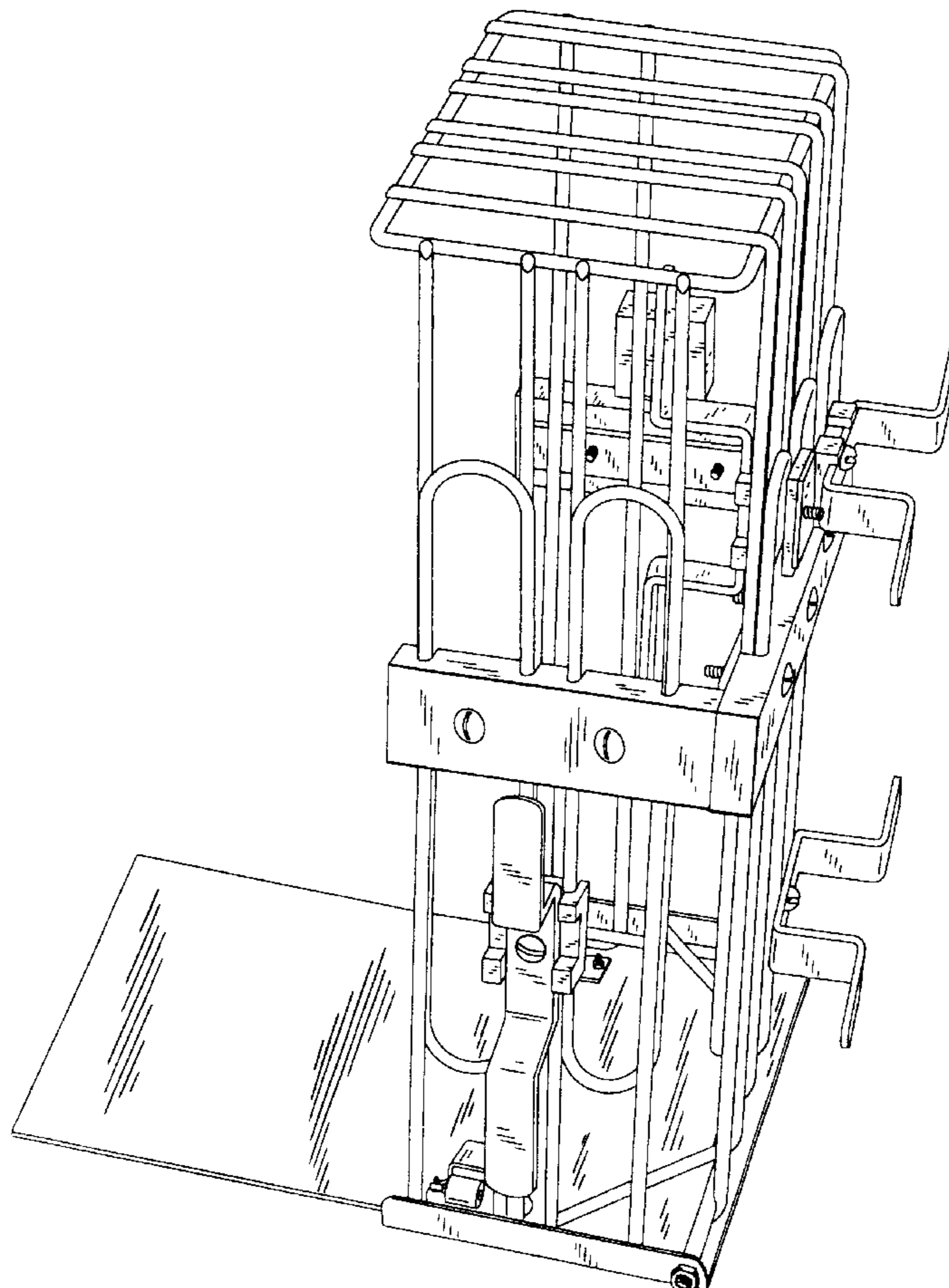


FIG. 1

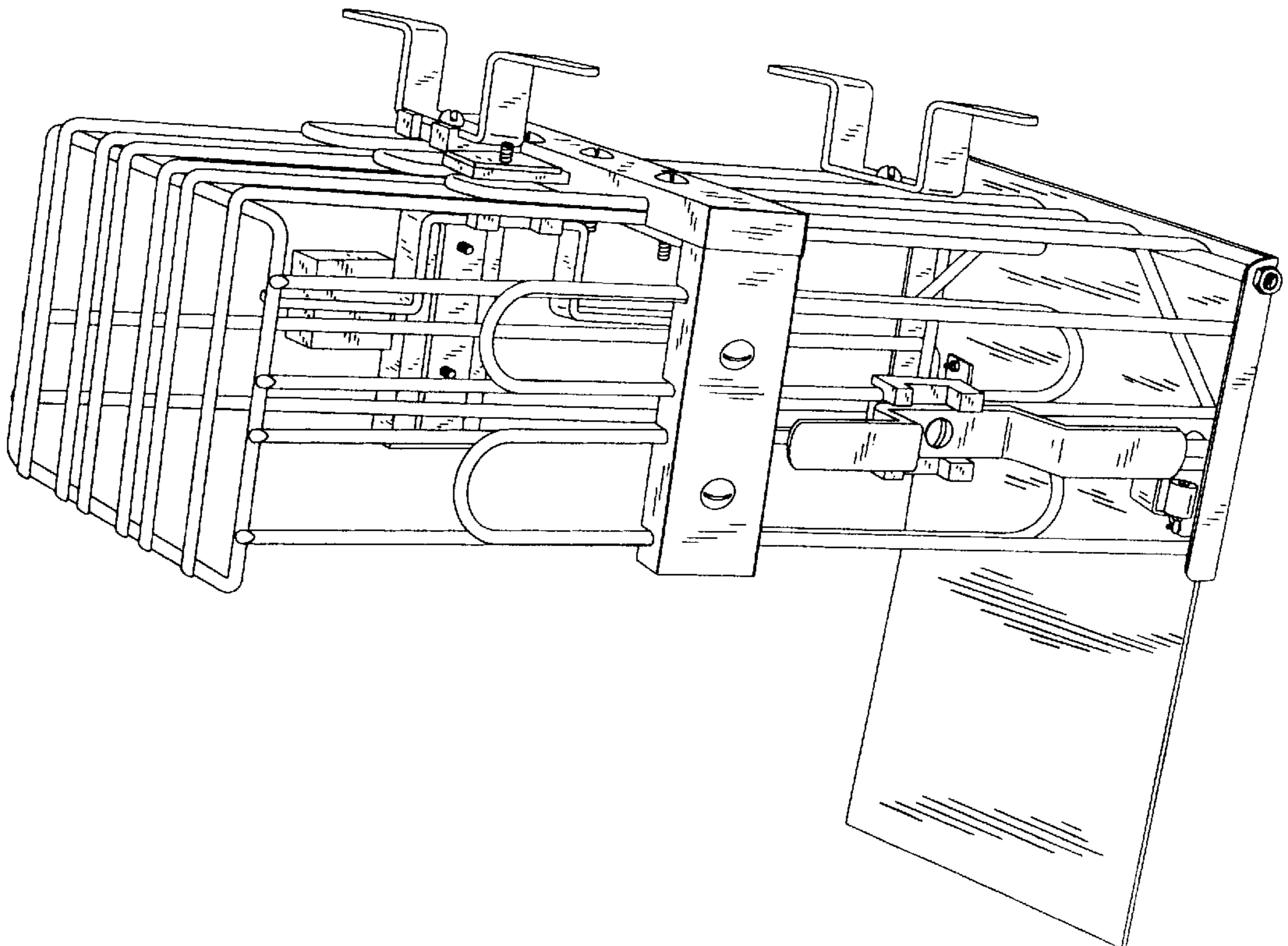
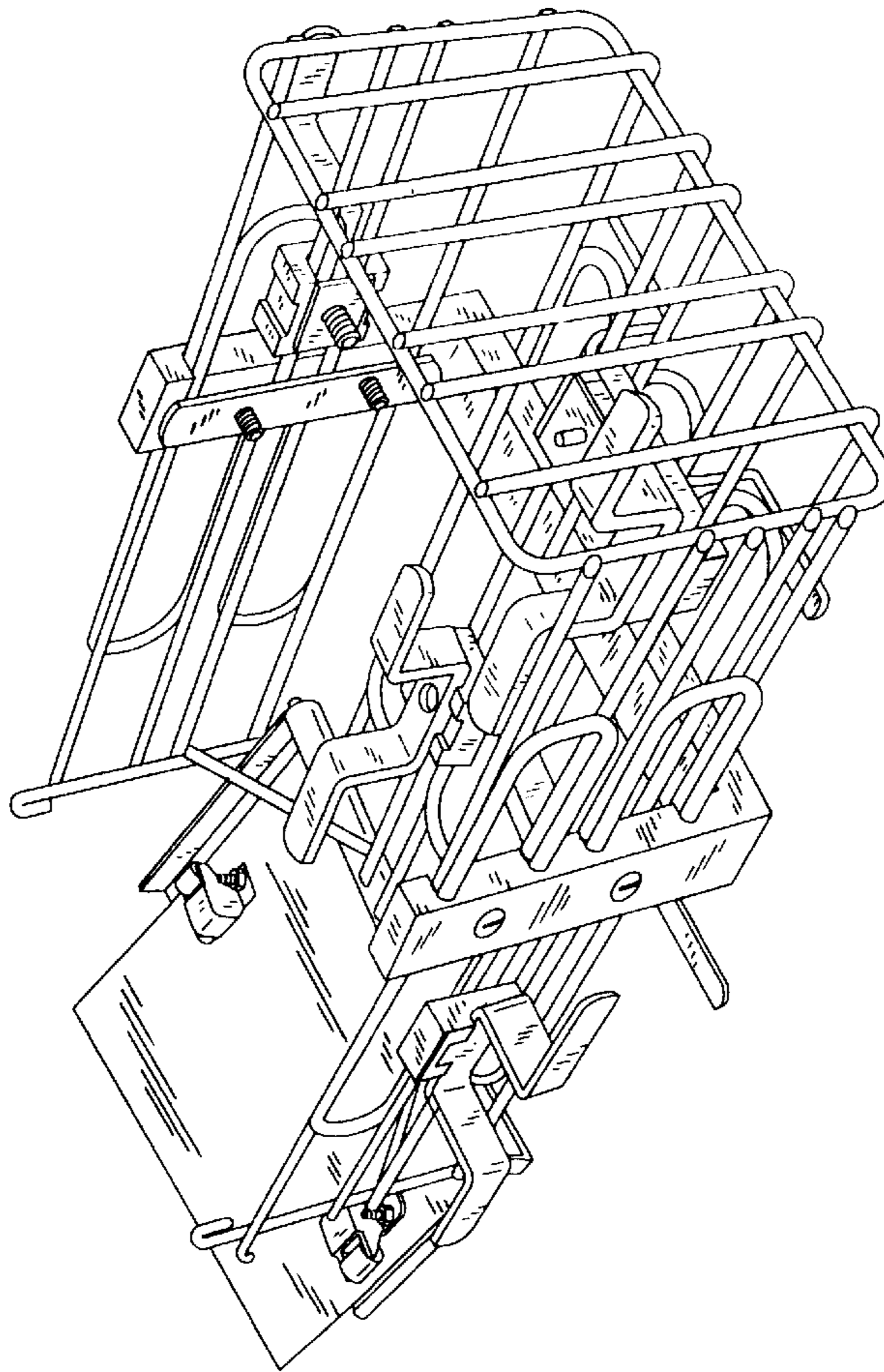


FIG. 2





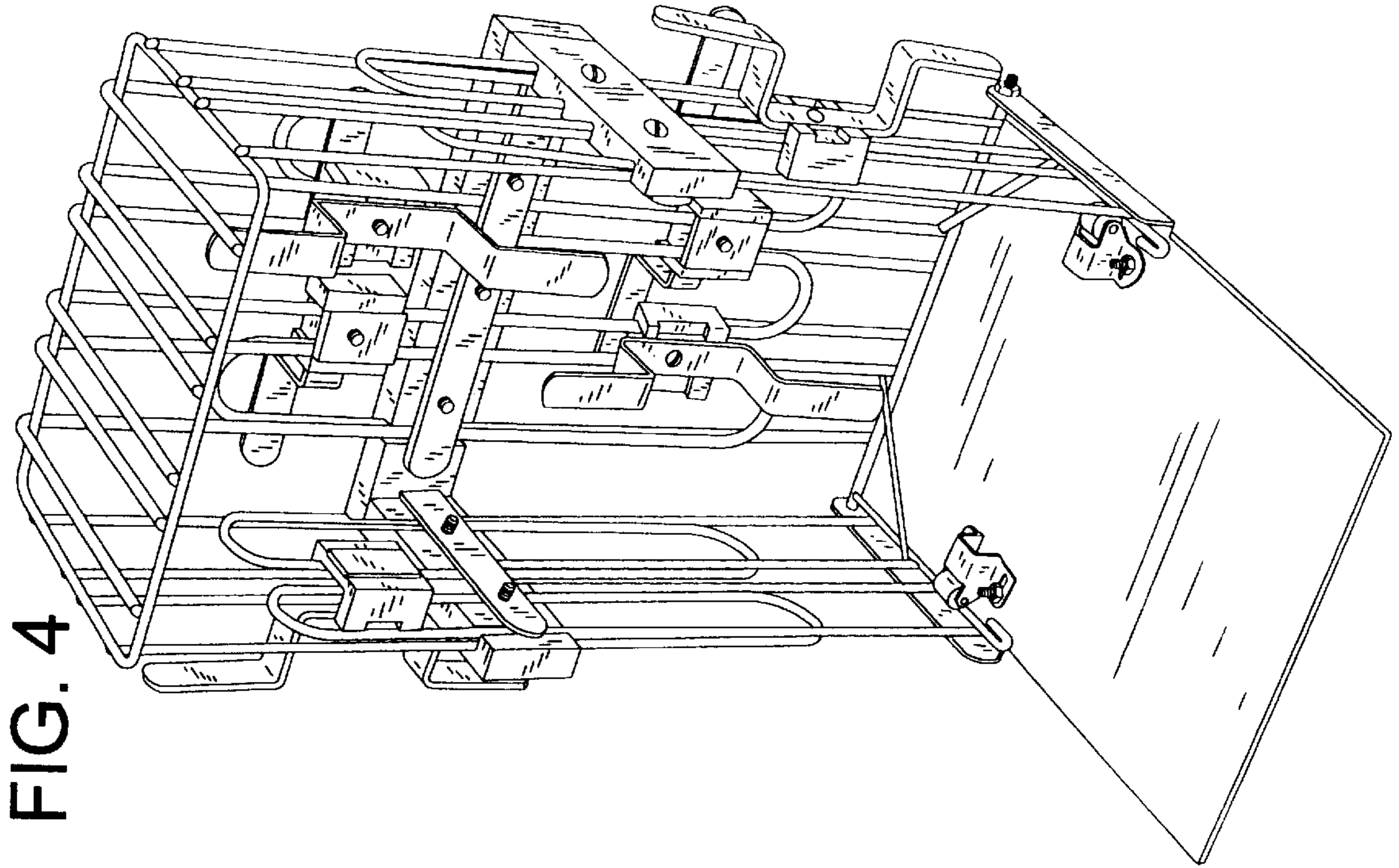


FIG. 4

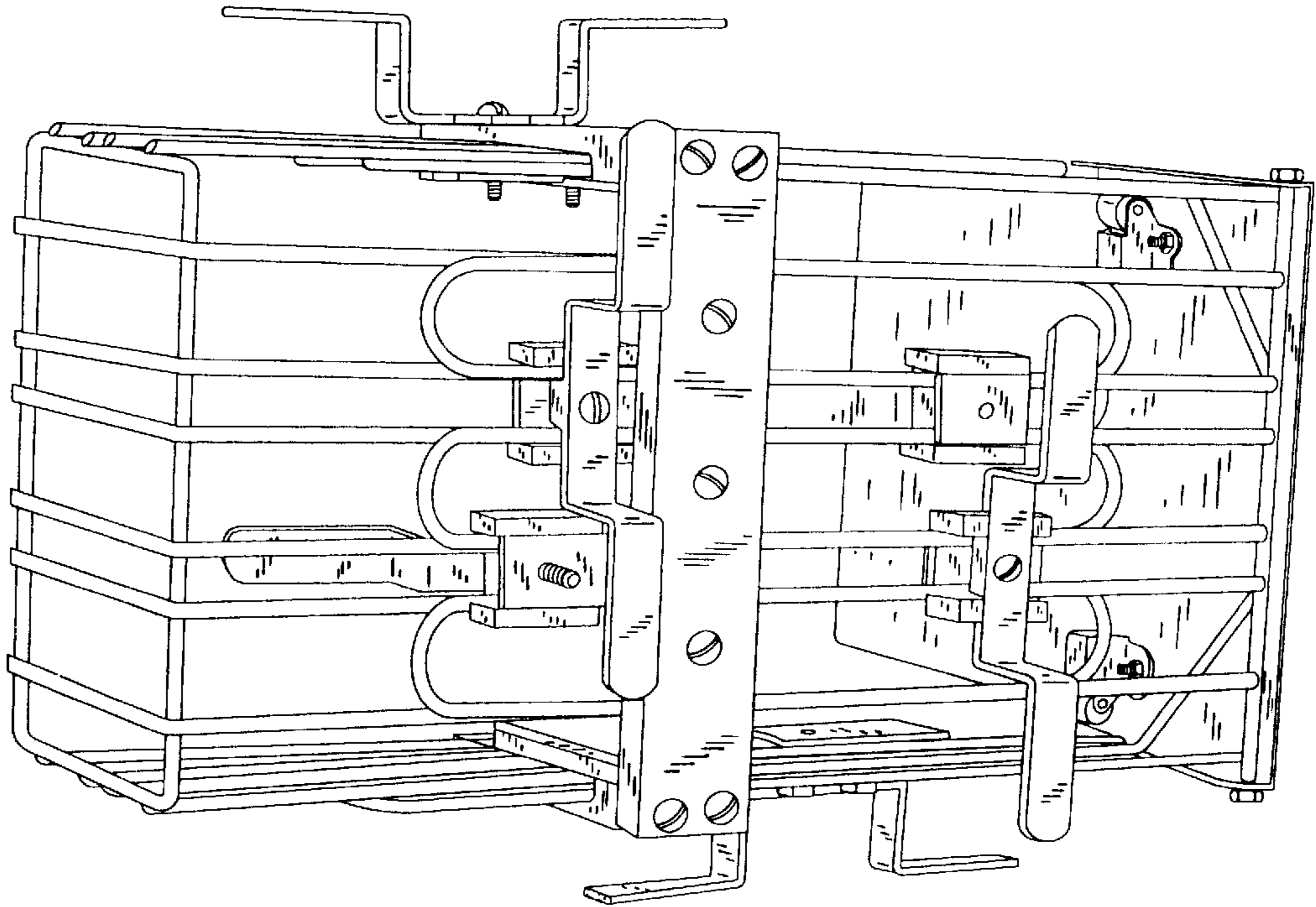


FIG. 3

FIG. 6

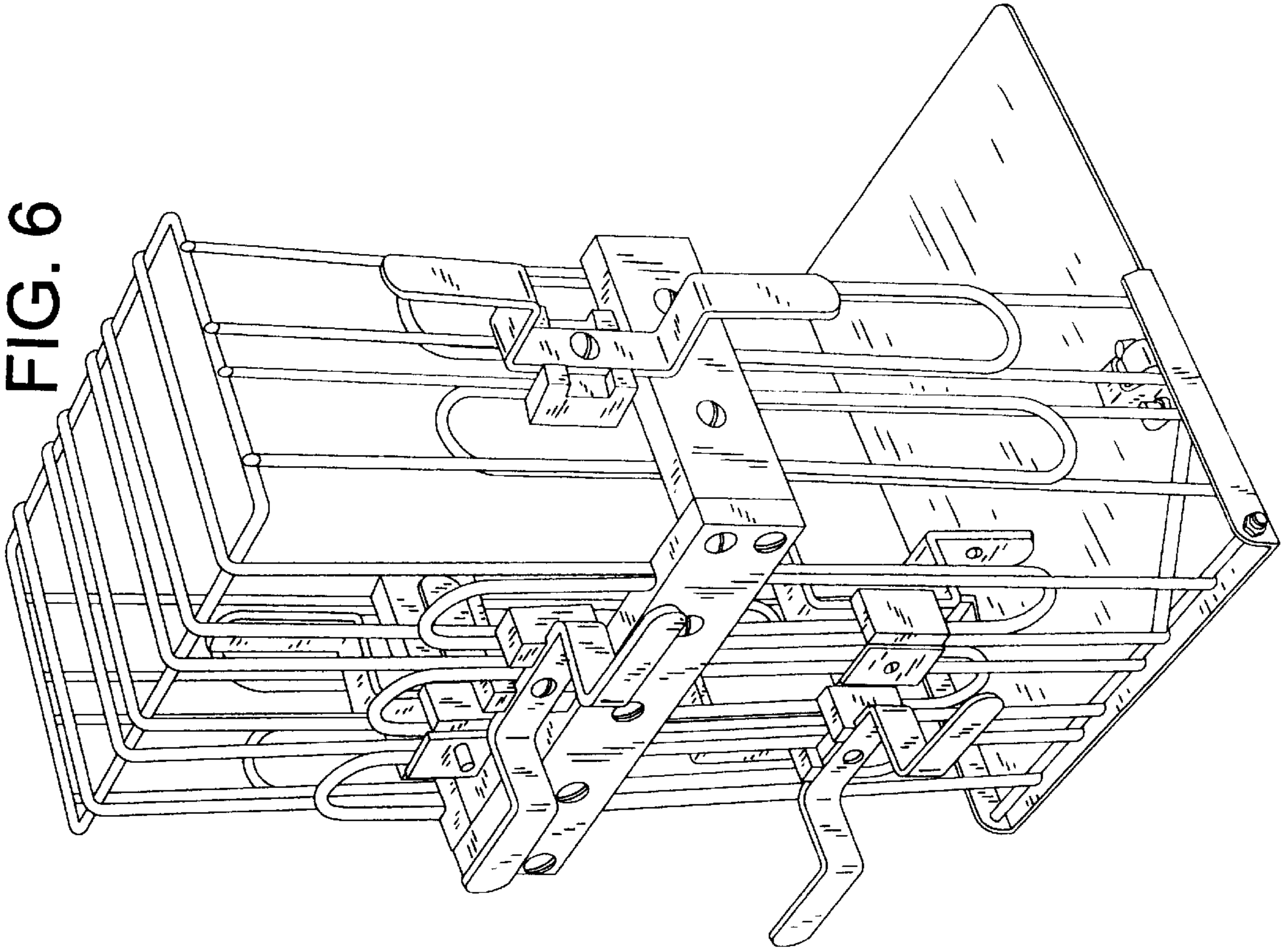


FIG. 5

