



US00D430855S

United States Patent [19] Beha

[11] **Patent Number: Des. 430,855**

[45] **Date of Patent: ** Sep. 12, 2000**

[54] **ROTARY SWITCH**

5,298,701 3/1994 Sandor 200/50.34 X

[75] Inventor: **Christian Beha**, Glottertal, Germany

Primary Examiner—Brian N. Vinson

[73] Assignee: **Ch. Beha GmbH Technische Neuentwicklungen**, Glottertal, Germany

Attorney, Agent, or Firm—Nath & Associates; Gary M. Nath

[**] Term: **14 Years**

[57] CLAIM

[21] Appl. No.: **29/105,011**

The ornamental design for a rotary switch, as shown.

[22] Filed: **May 14, 1999**

DESCRIPTION

[30] Foreign Application Priority Data

Dec. 14, 1998 [DE] Germany 498 12 381

FIG. 1 is an oblique top perspective view of the rotary switch;

[51] **LOC (7) Cl.** **13-03**

FIG. 2 is a right side view of the of the rotary switch;

[52] **U.S. Cl.** **D13/174**

FIG. 3 is a left side view of the rotary switch;

[58] **Field of Search** D13/174, 173, D13/171, 158; 200/6 R, 28, 43.08, 273, 316, 329, 50.34; D8/300, 310

FIG. 4 is a back side view of the rotary switch;

FIG. 5 is a front side view of the rotary switch;

FIG. 6 is the bottom view of the rotary switch; and,

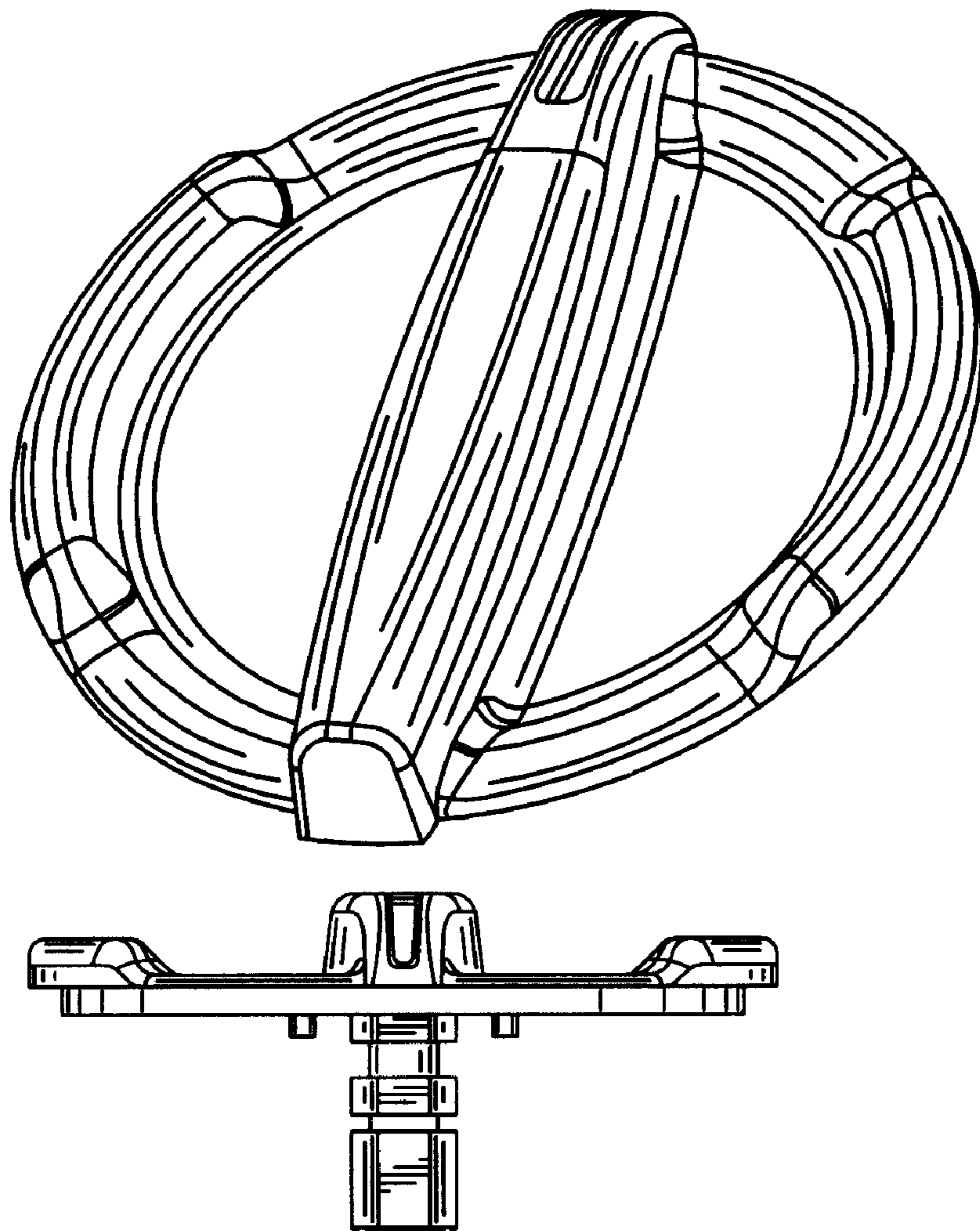
FIG. 7 is the top view of the rotary switch.

[56] References Cited

U.S. PATENT DOCUMENTS

D. 404,014 1/1999 Barnard et al. D13/174

1 Claim, 4 Drawing Sheets



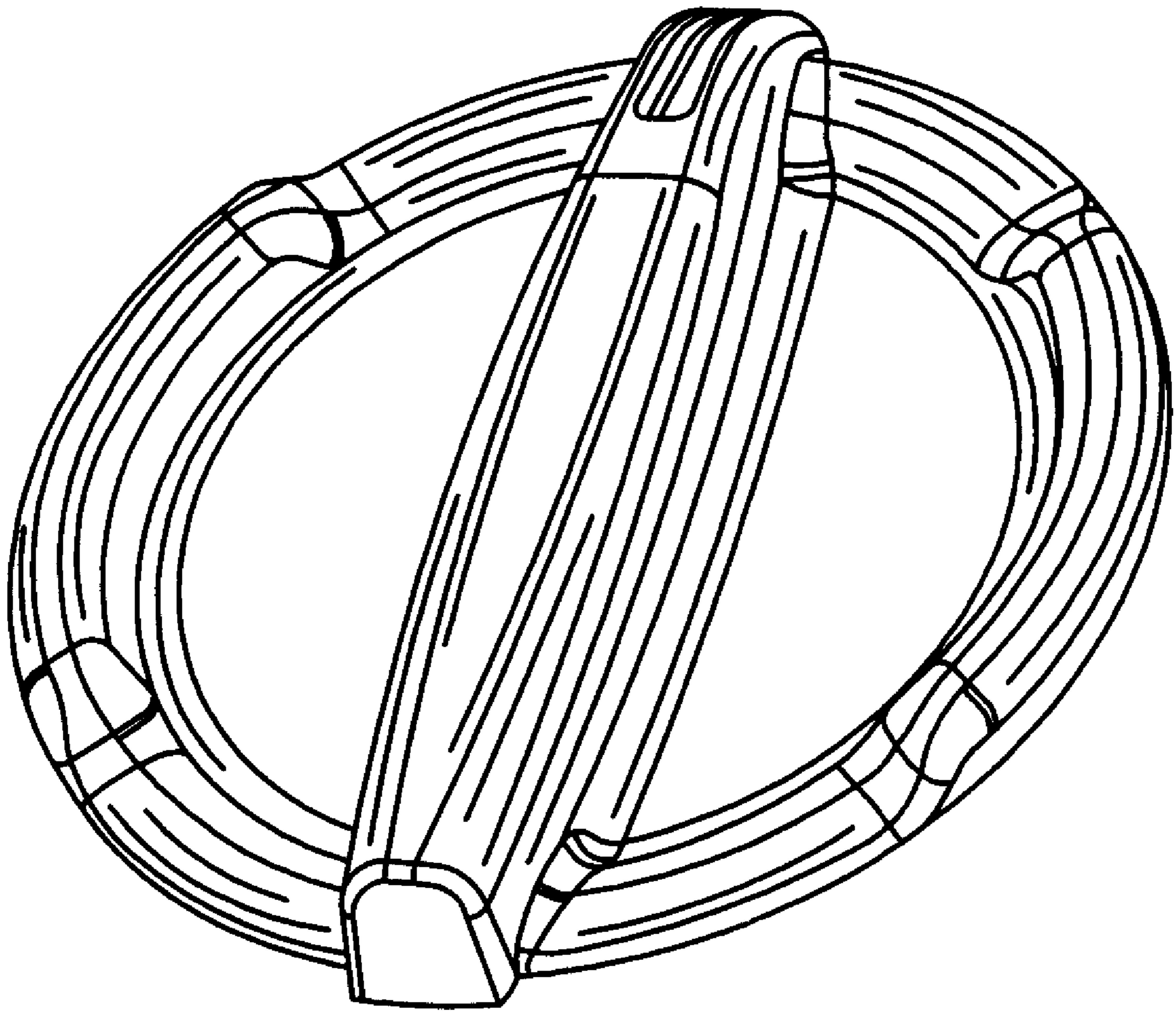


FIG. 1

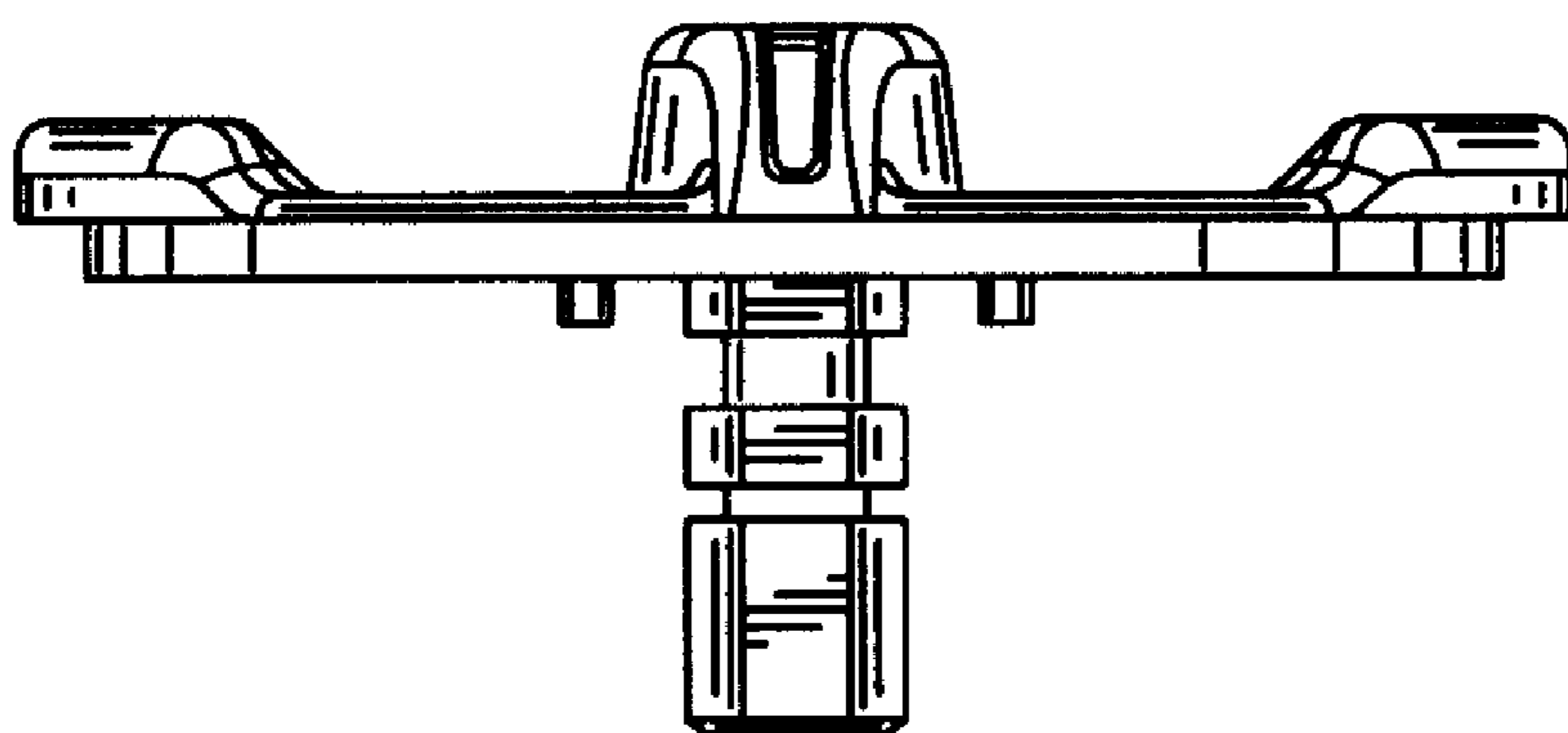


FIG. 2

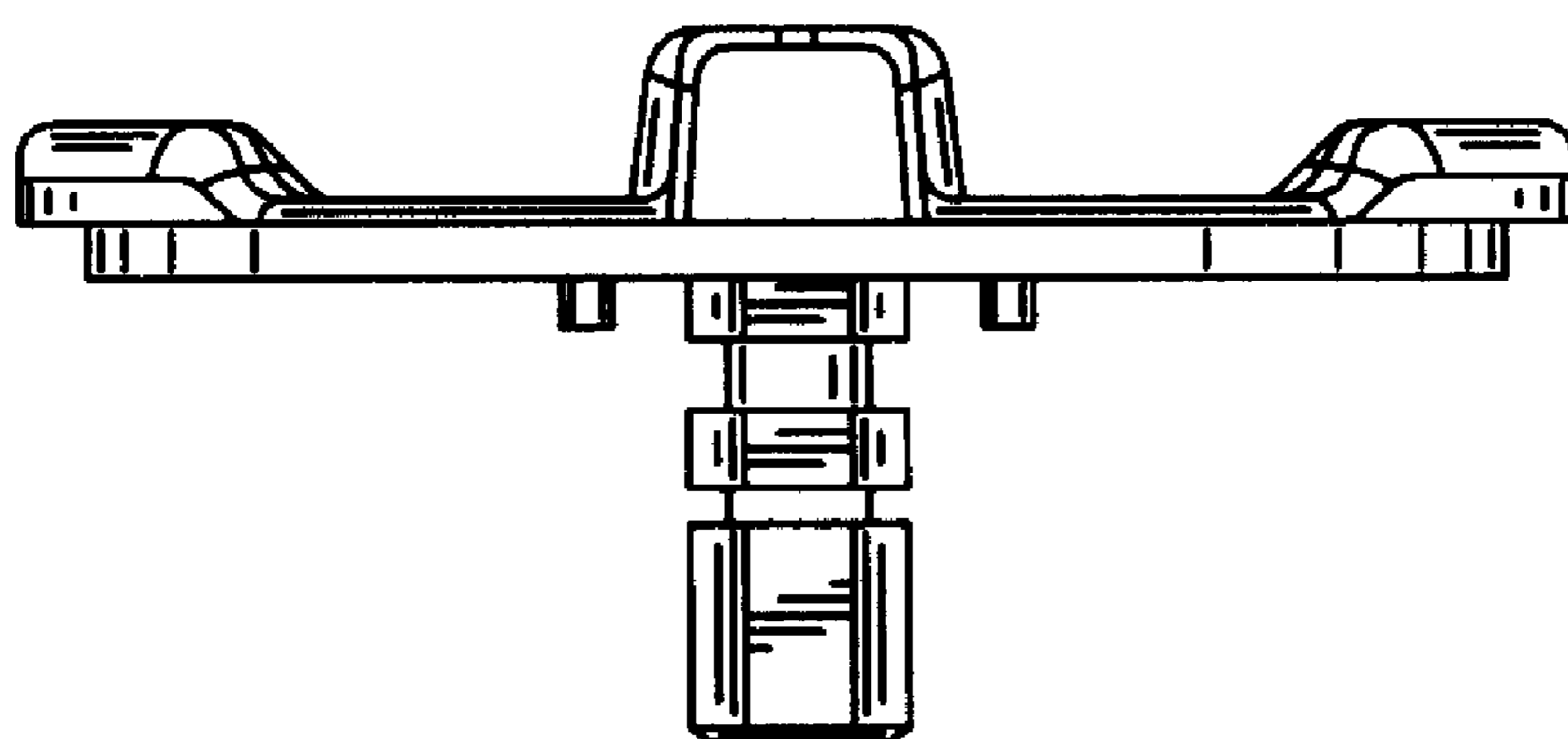


FIG. 3

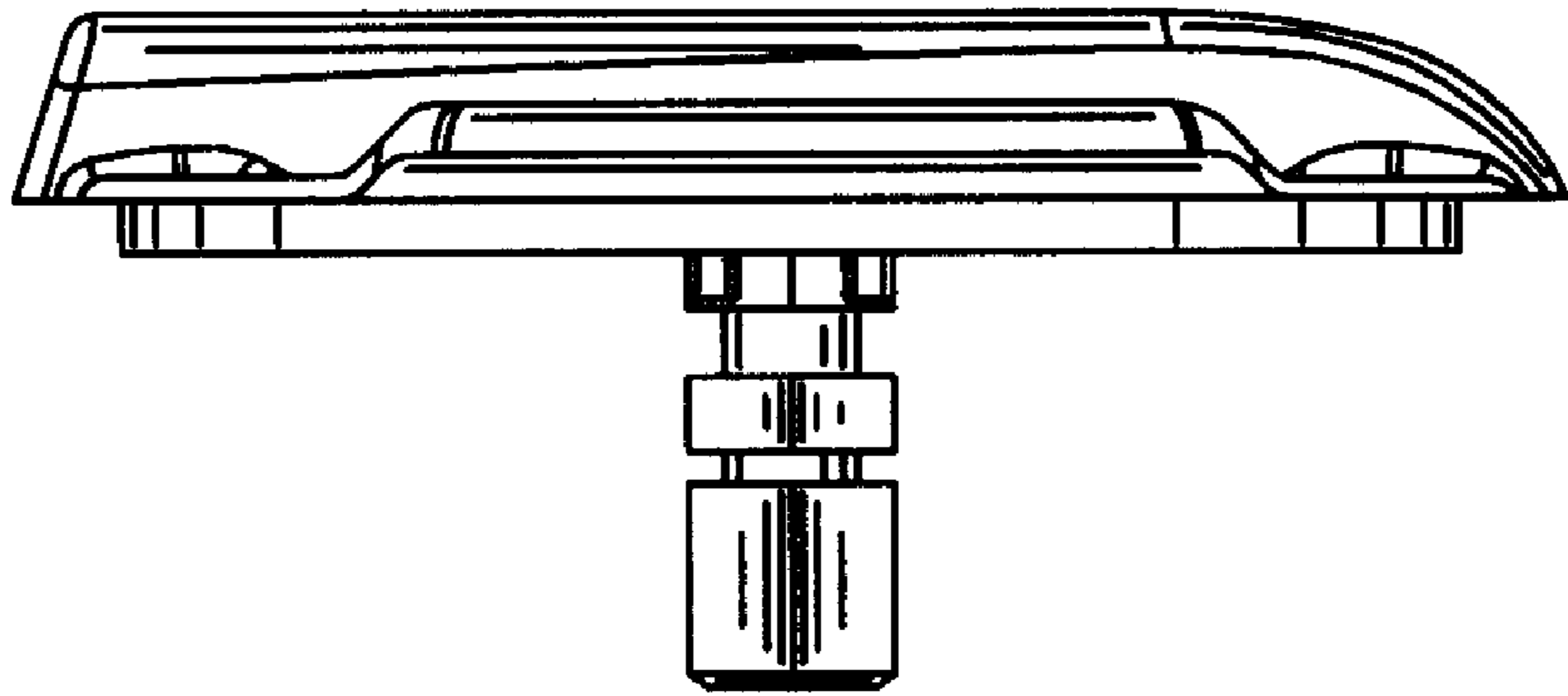


FIG. 4

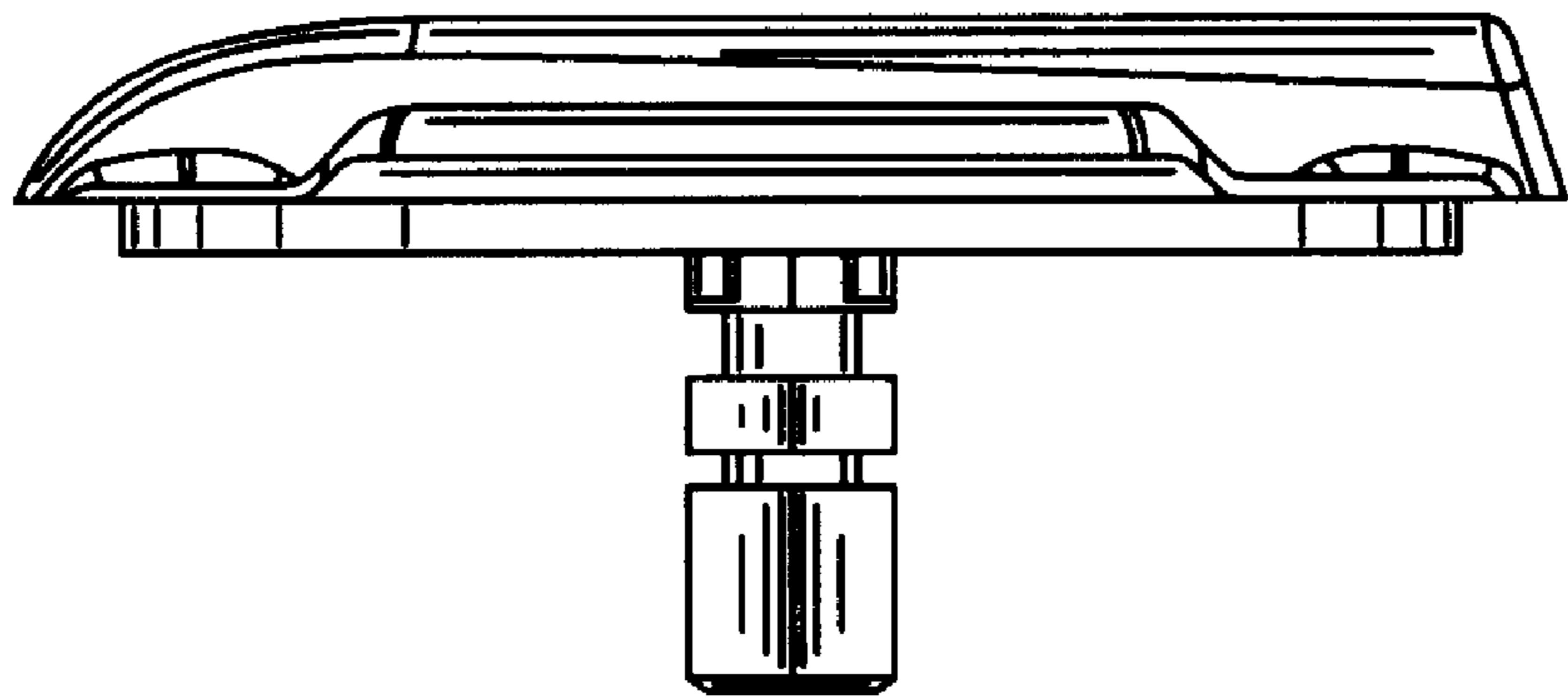


FIG. 5

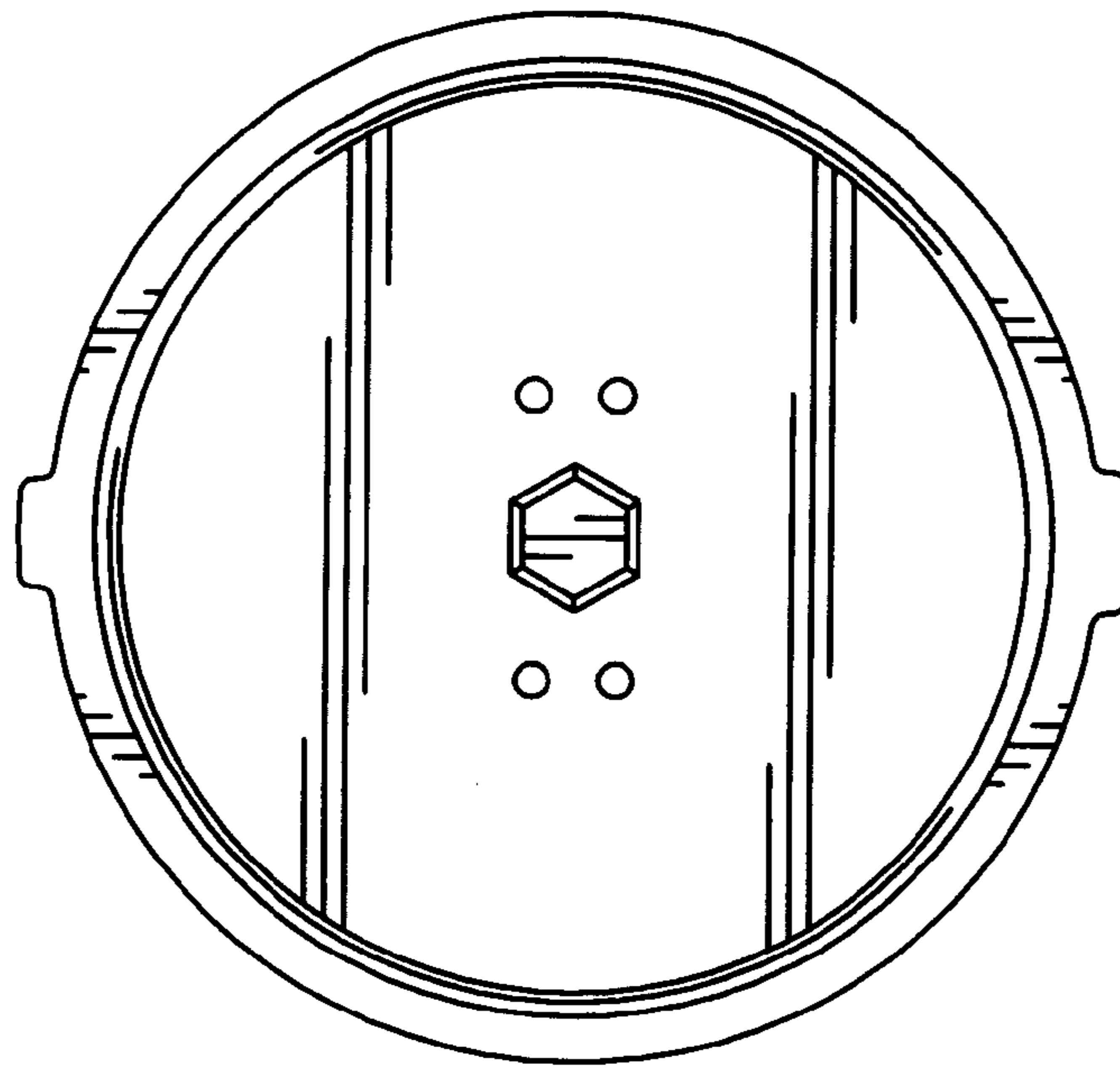


FIG. 6

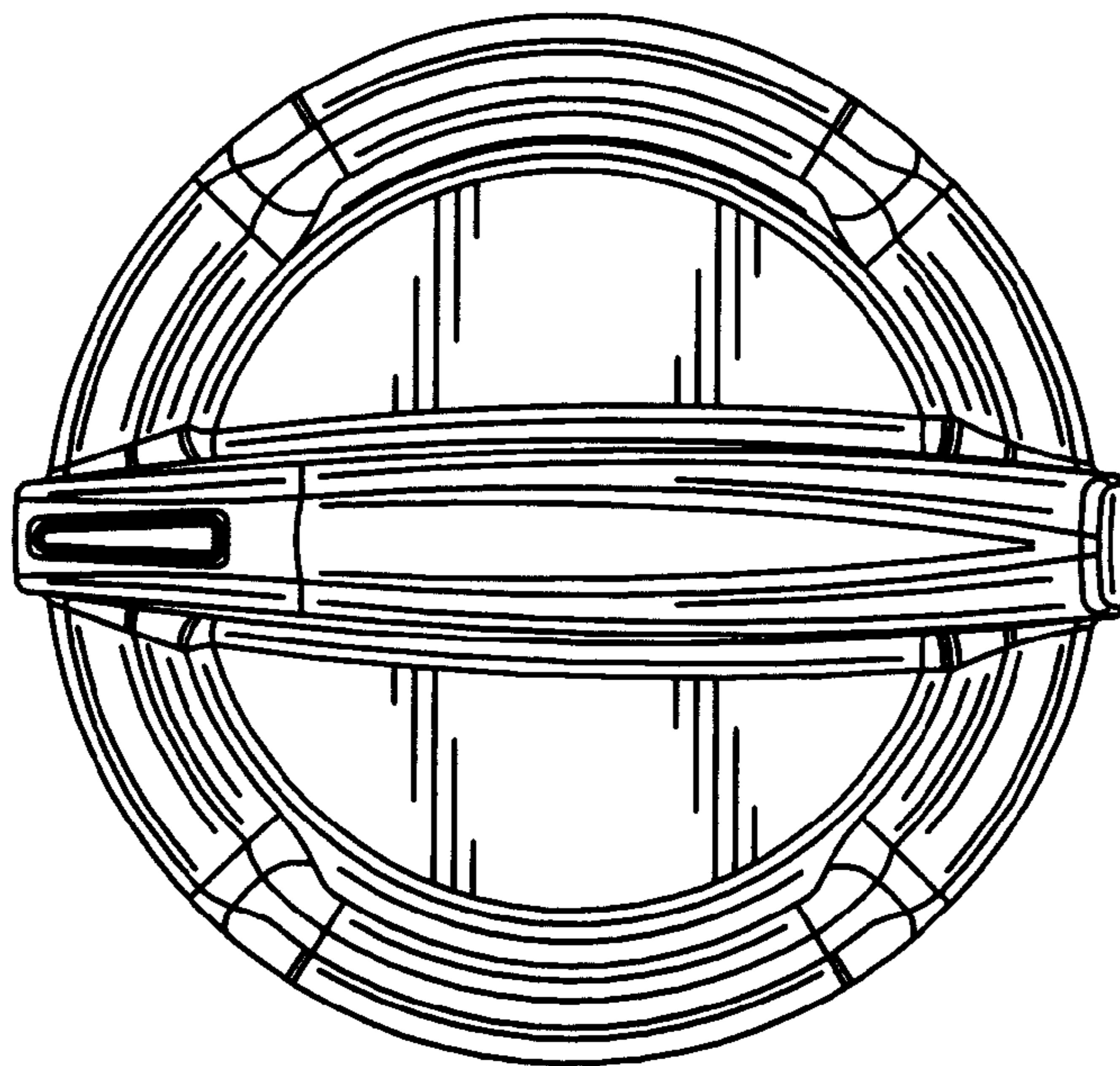


FIG. 7