



US00D430853S

United States Patent [19]

[11] Patent Number: Des. 430,853

Barattin

[45] Date of Patent: ** Sep. 12, 2000

[54] CONTROL AND MEASURING INSTRUMENTS FOR CONDITIONING AND REFRIGERATING UNITS

[75] Inventor: Cristian Barattin, Puos D'Alpago, Italy

[73] Assignee: Invensys Climate Controls SpA, Italy

[**] Term: 14 Years

[21] Appl. No.: 29/111,823

[22] Filed: Sep. 30, 1999

[30] Foreign Application Priority Data

Apr. 1, 1999 [XH] Hague Agreement DM/047638

[51] LOC (7) Cl. 13-03

[52] U.S. Cl. D13/162

[58] Field of Search D10/46, 50, 57; D13/162-164, 184; 62/89, 126, 127, 129, 130, 179, 180, 186, 187, 229, 230, 408; 236/37, 94; 165/11.1; 364/184, 187

[56] References Cited

U.S. PATENT DOCUMENTS

D. 418,515	1/2000	Tucker et al.	D14/240
5,809,790	9/1998	Kwon	62/89
5,924,295	7/1999	Park	62/126
5,960,857	10/1999	Oswalt et al.	165/11.1
5,992,165	11/1999	Kim et al.	62/187

Primary Examiner—Antoine Duval Davis

Attorney, Agent, or Firm—Antonelli, Terry, Stout & Kraus, LLP

[57] CLAIM

The ornamental design for a control and measuring instruments for conditioning and refrigerating units, as shown and described.

DESCRIPTION

FIG. 1 is a perspective view of a first variant of a control and measuring instrument for conditioning and refrigerating

units;

FIG. 2 is a one side view of the instrument of FIG. 1;

FIG. 3 is the other side view of the instrument of FIG. 1;

FIG. 4 is a front view of the instrument of FIG. 1;

FIG. 5 is a rear view of the instrument of FIG. 1;

FIG. 6 is a top view of the instrument of FIG. 1;

FIG. 7 is a bottom view of the instrument of FIG. 1;

FIG. 8 is a perspective view of a second variant of a control and measuring instrument for conditioning and refrigerating units;

FIG. 9 is a one side view of the instrument of FIG. 8;

FIG. 10 is the other side view of the instrument of FIG. 8;

FIG. 11 is a front view of the instrument of FIG. 8;

FIG. 12 is a rear view of the instrument of FIG. 8;

FIG. 13 is a top view of the instrument of FIG. 8;

FIG. 14 is a bottom view of the instrument of FIG. 8;

FIG. 15 is a perspective view of a third variant of a control and measuring instrument for conditioning and refrigerating units;

FIG. 16 is a one side view of the instrument of FIG. 15;

FIG. 17 is the other side view of the instrument of FIG. 15;

FIG. 18 is a front view of the instrument of FIG. 15;

FIG. 19 is a rear view of the instrument of FIG. 15;

FIG. 20 is a top view of the instrument of FIG. 15;

FIG. 21 is a bottom view of the instrument of FIG. 15;

FIG. 22 is a perspective view of a fourth variant of a control and measuring instrument for conditioning and refrigerating units;

FIG. 23 is a one side view of the instrument of FIG. 22;

FIG. 24 is the other side view of the instrument of FIG. 22;

FIG. 25 is a front view of the instrument of FIG. 22;

FIG. 26 is a rear view of the instrument of FIG. 22;

FIG. 27 is a top view of the instrument of FIG. 22;

FIG. 28 is a bottom view of the instrument of FIG. 22;

FIG. 29 is a perspective view of a fifth variant of a control and measuring instrument for conditioning and refrigerating units;

FIG. 30 is a one side view of the instrument of FIG. 29;

FIG. 31 is the other side view of the instrument of FIG. 29;

FIG. 32 is a front view of the instrument of FIG. 29;

FIG. 33 is a rear view of the instrument of FIG. 29;

FIG. 34 is a top view of the instrument of FIG. 29; and,

FIG. 35 is a bottom view of the instrument of FIG. 29.

1 Claim, 20 Drawing Sheets

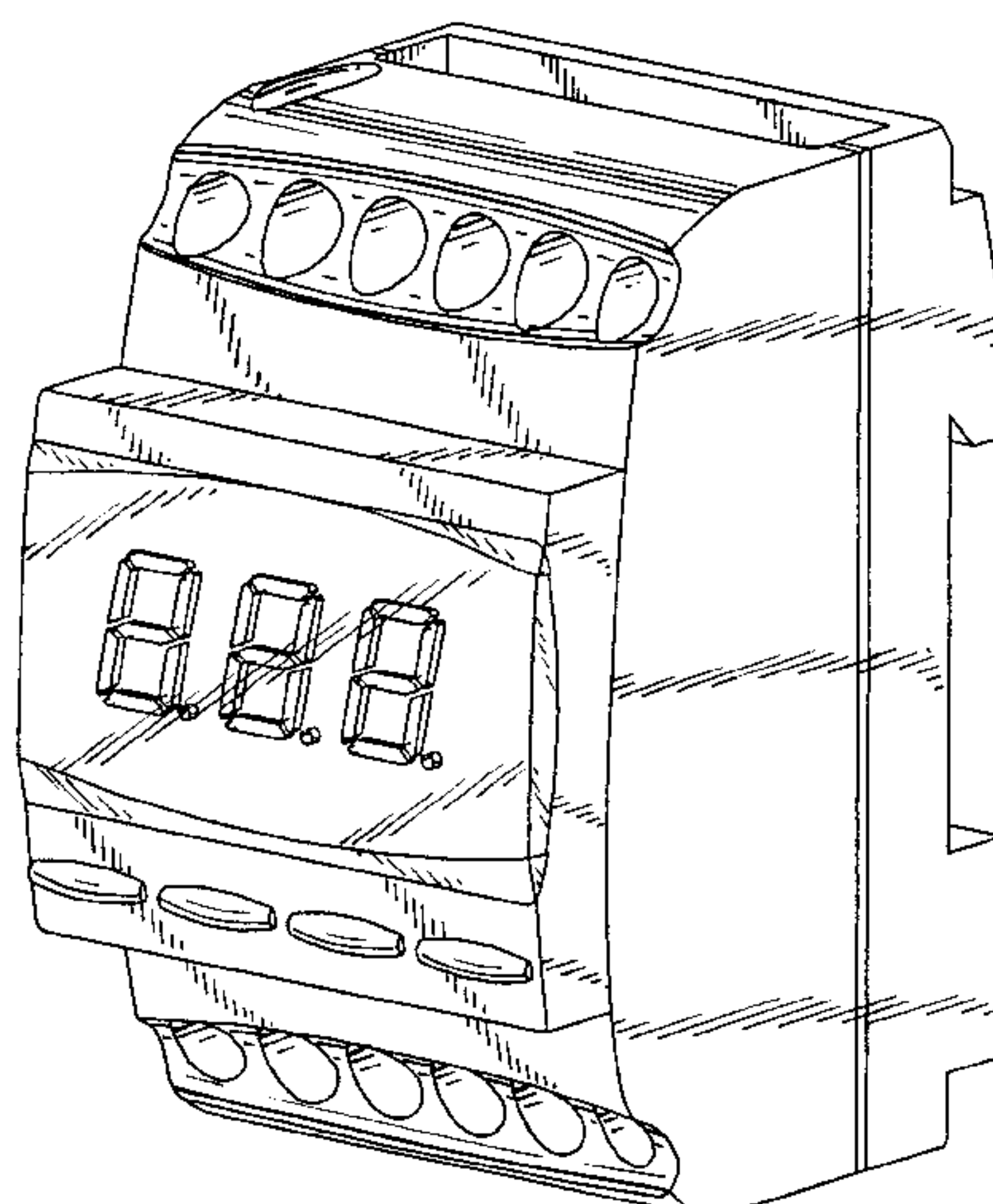


FIG. 1

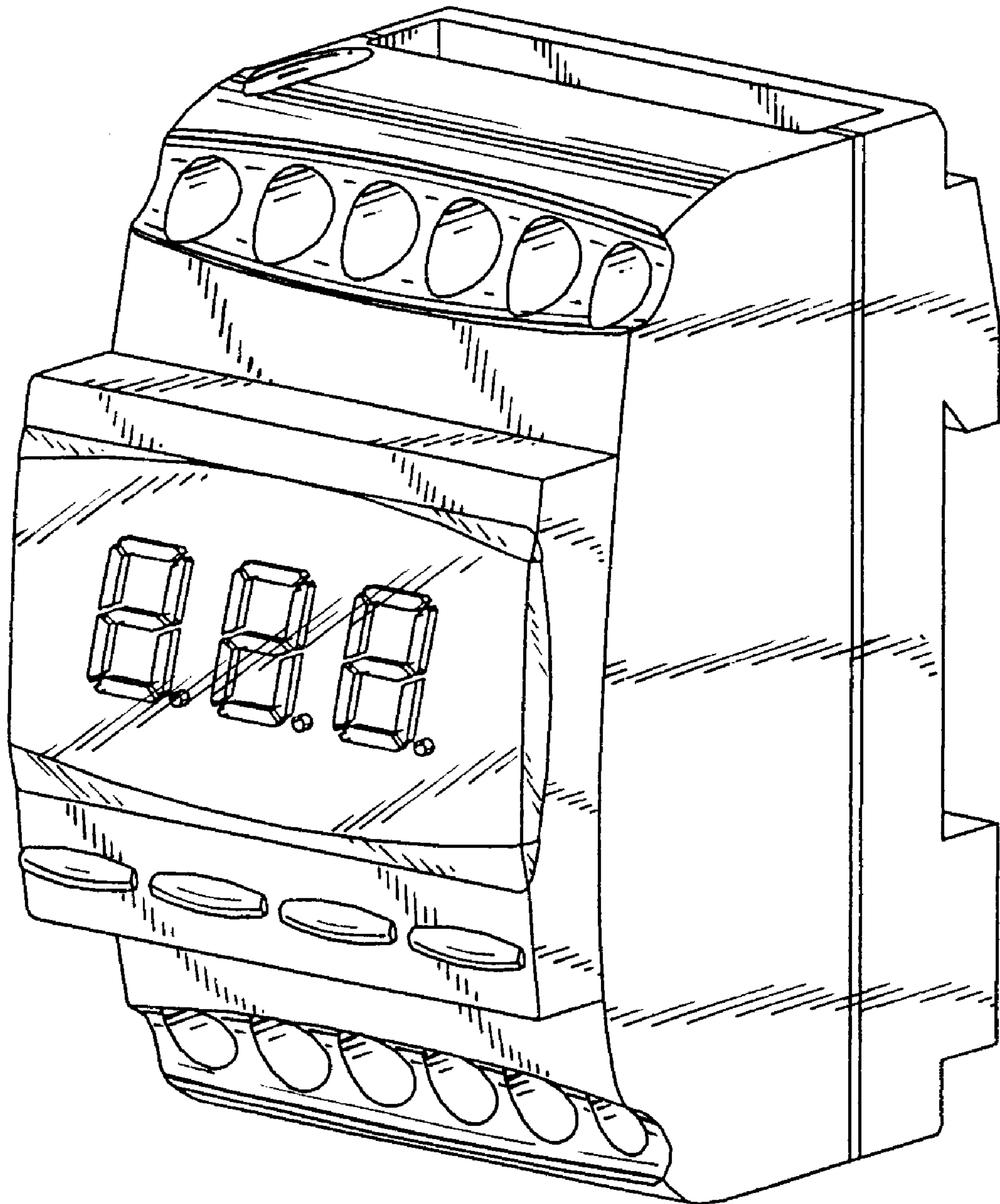


FIG. 2

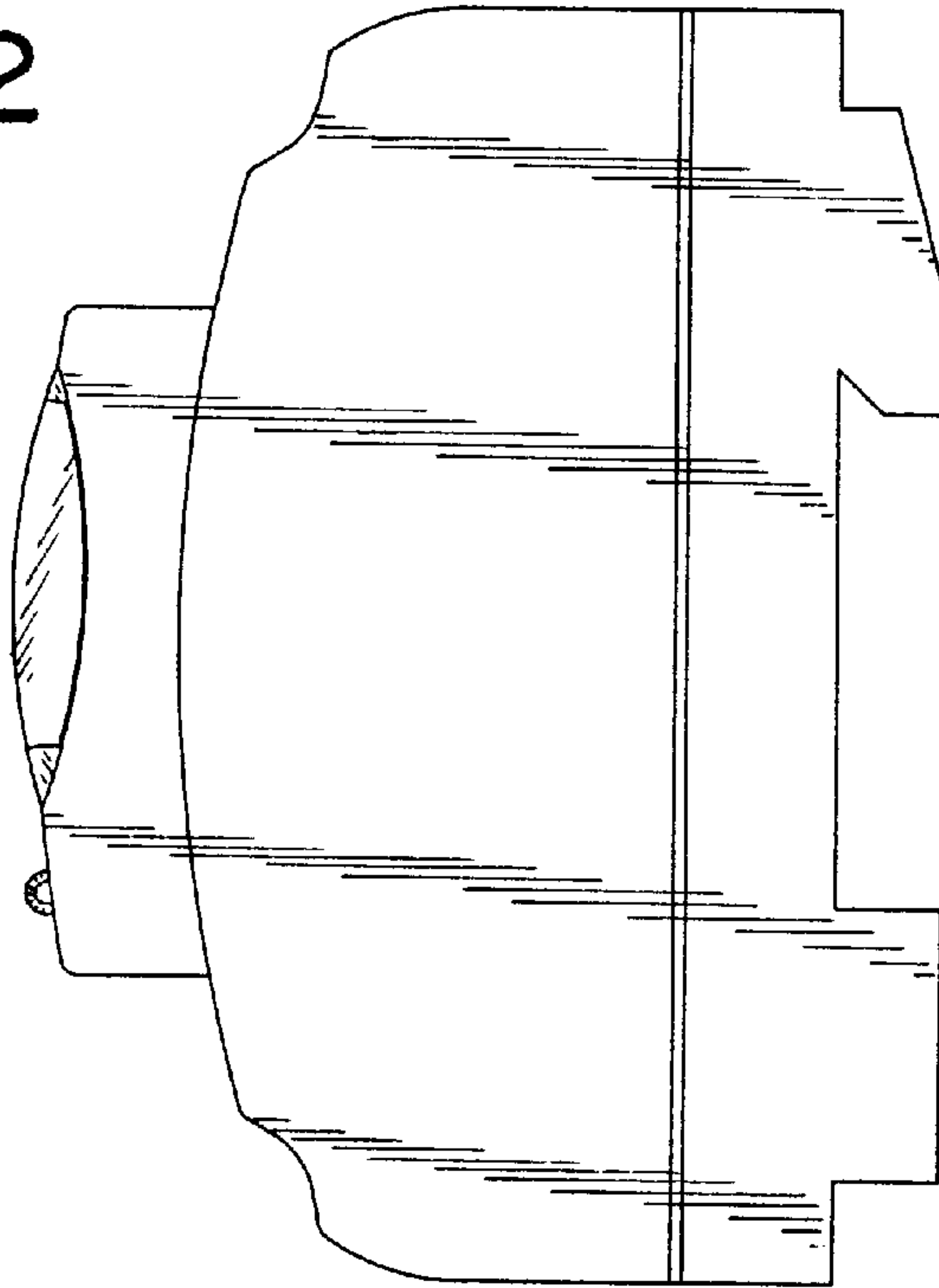


FIG. 3

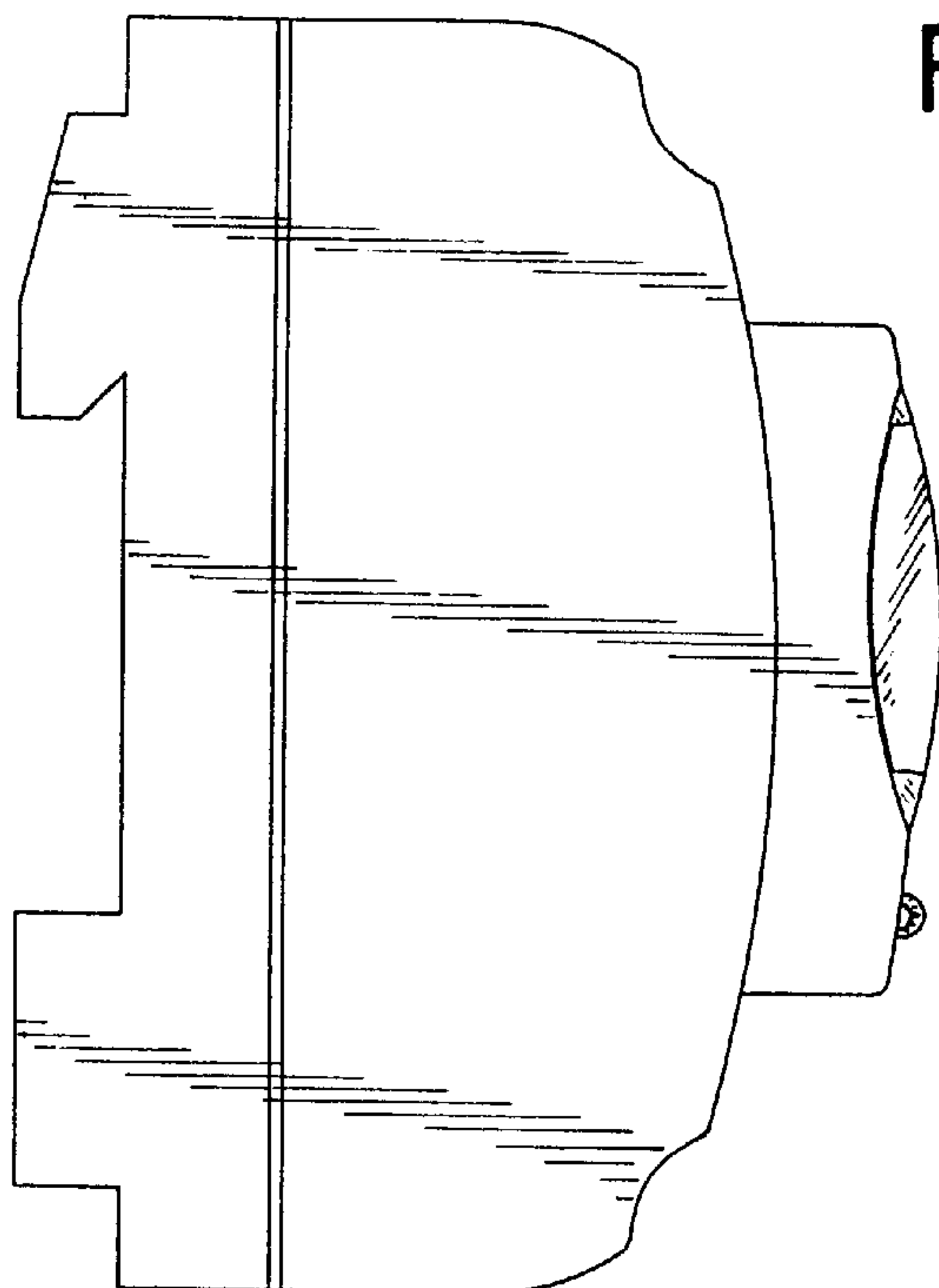


FIG. 4

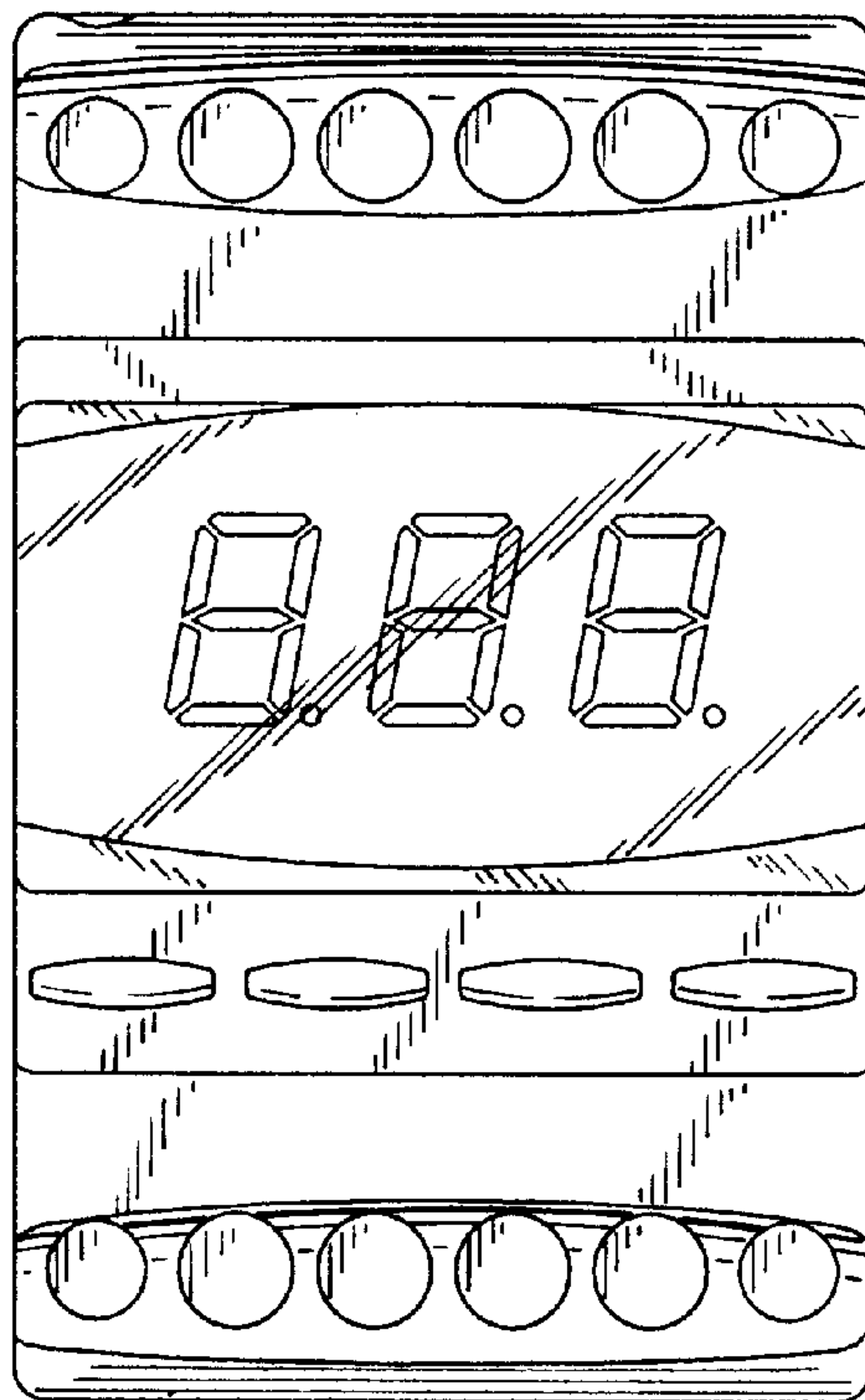


FIG. 5

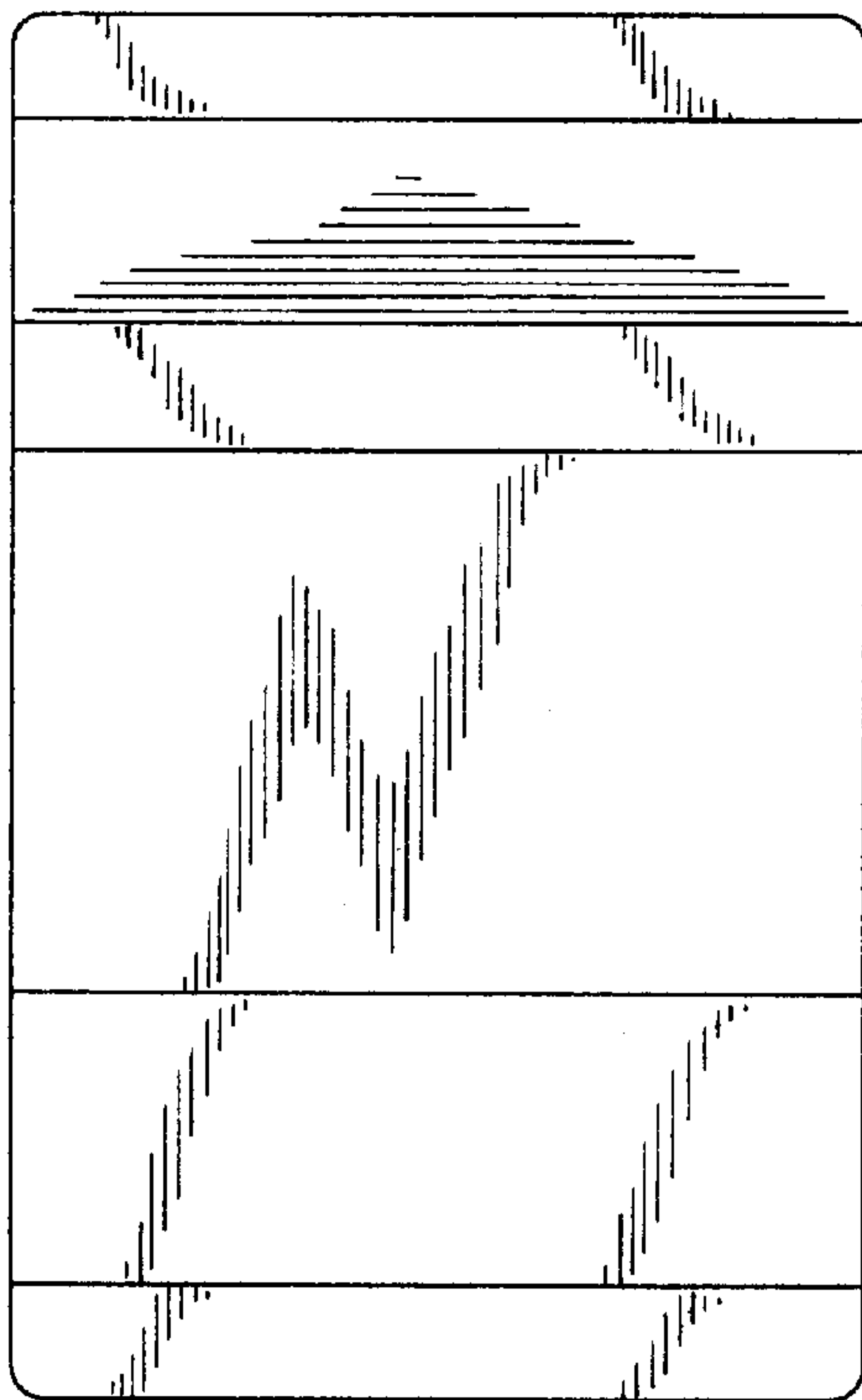


FIG. 6

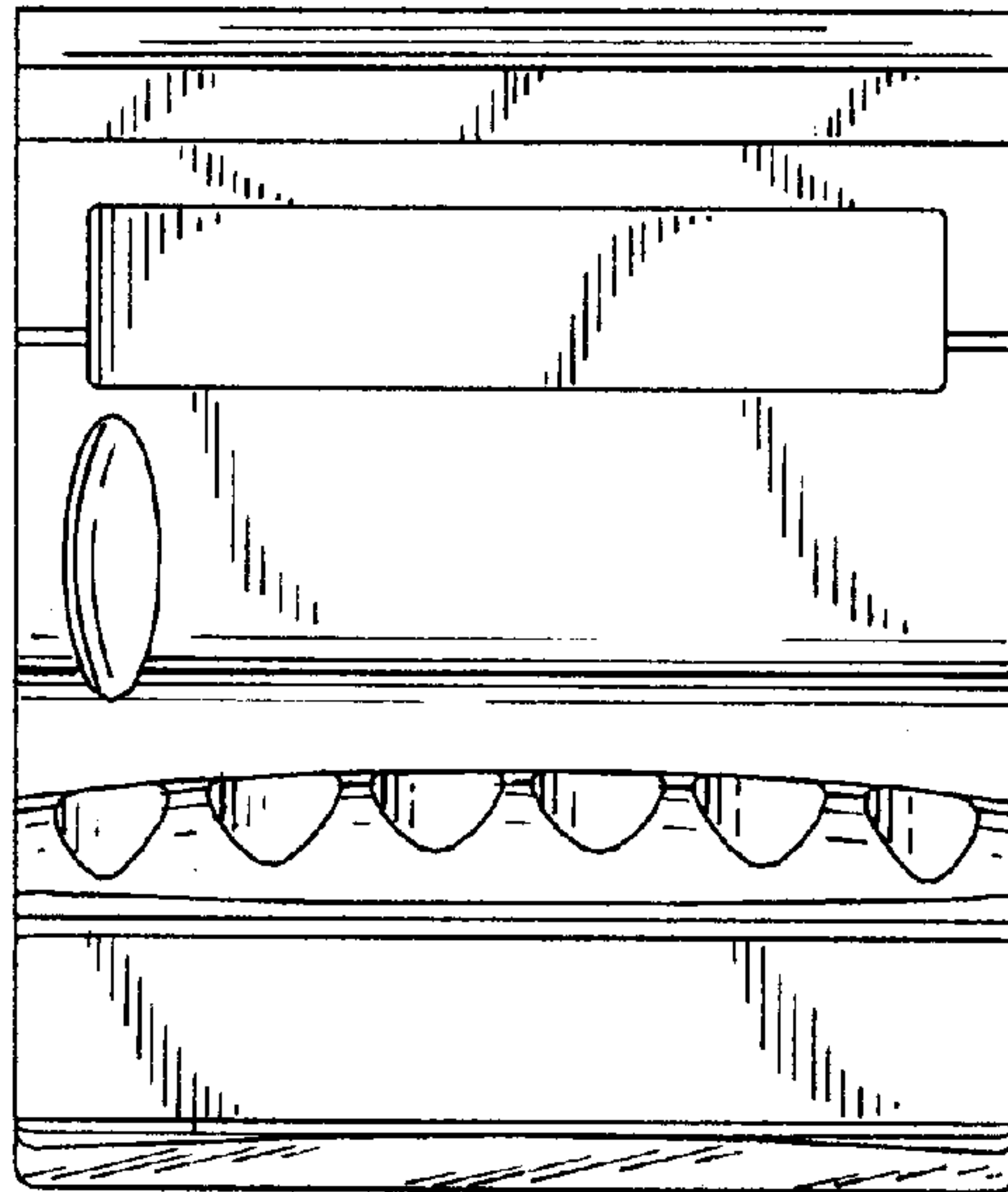


FIG. 7

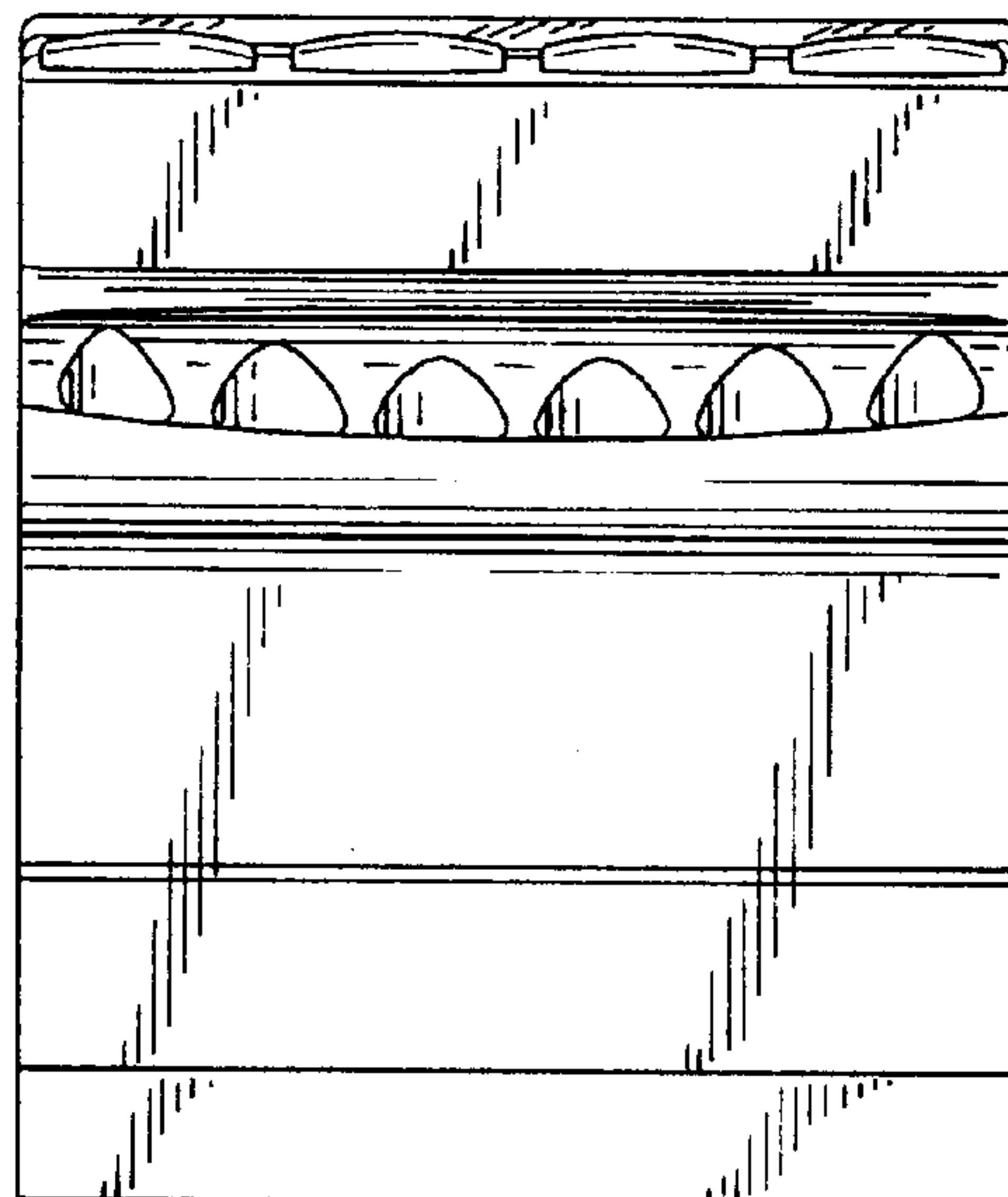


FIG. 8

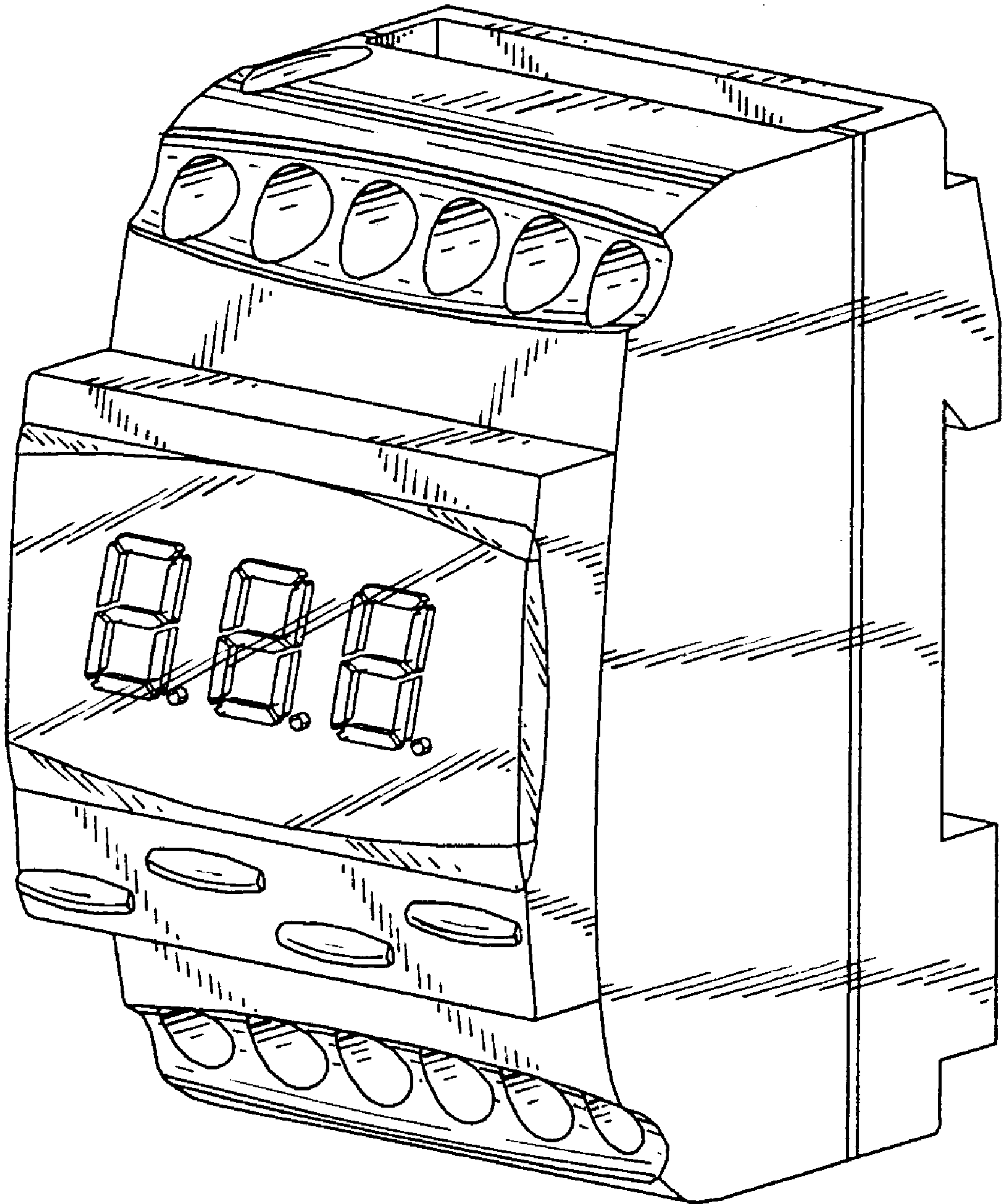


FIG. 9

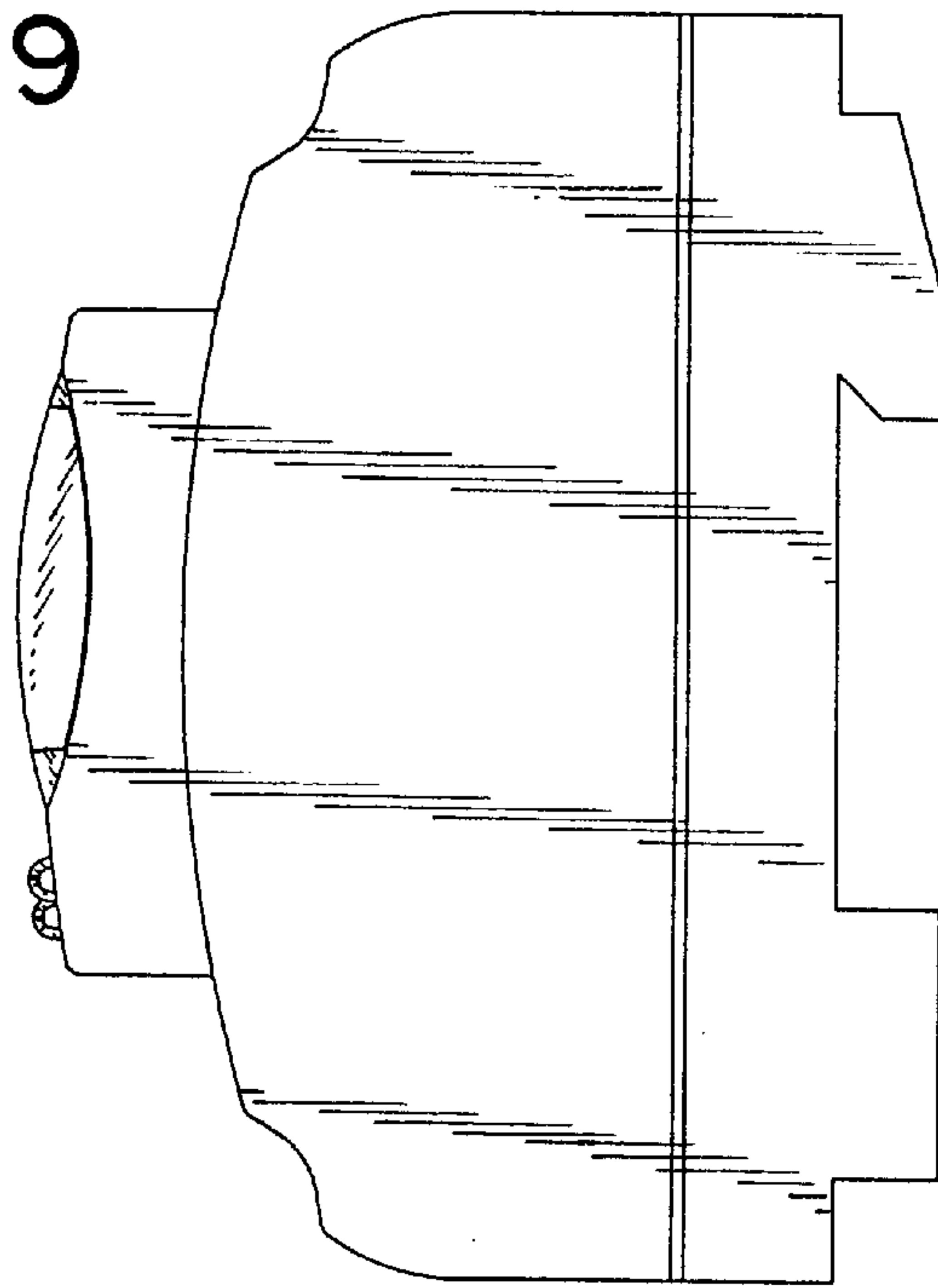


FIG. 10

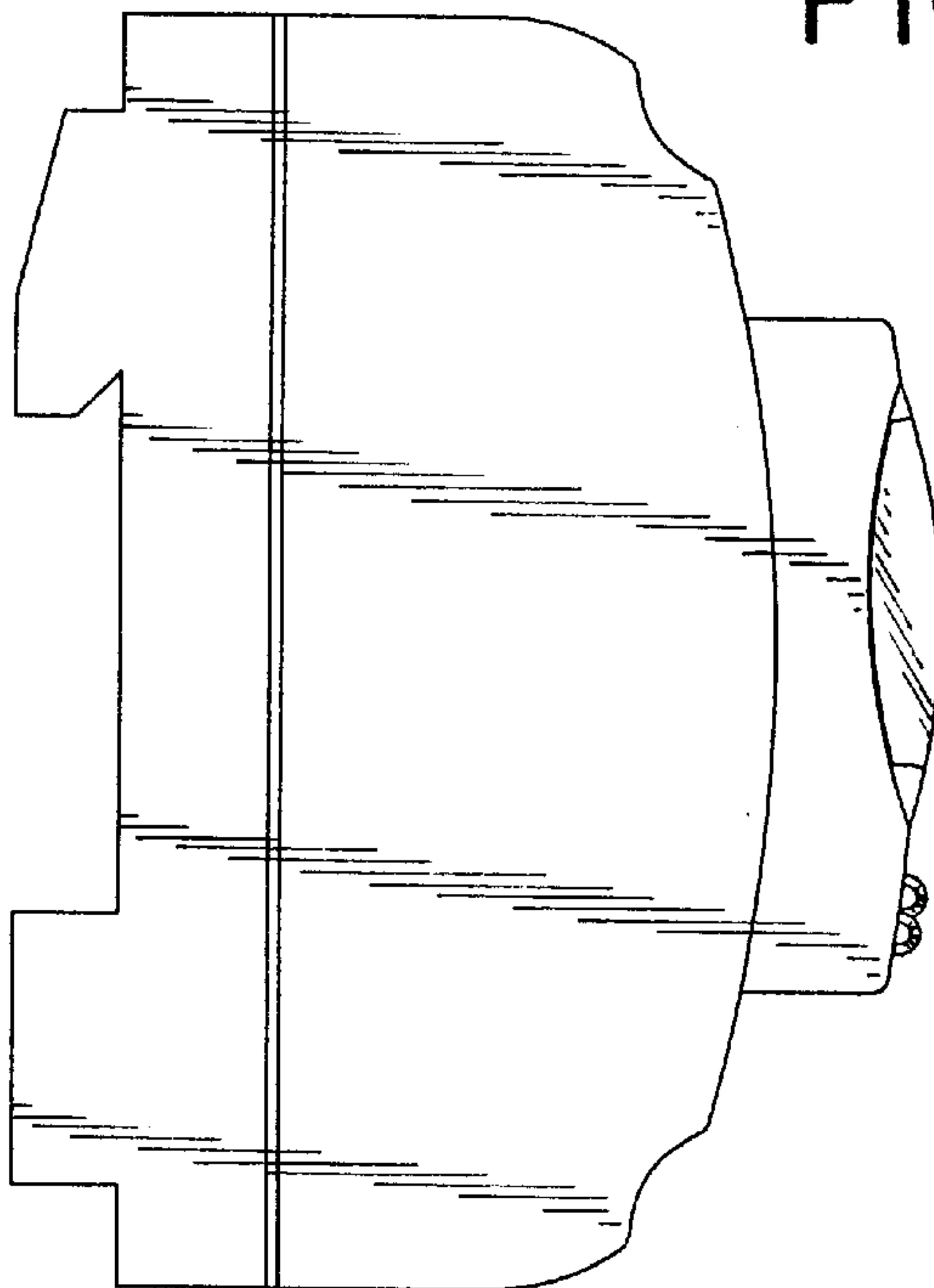


FIG. 11

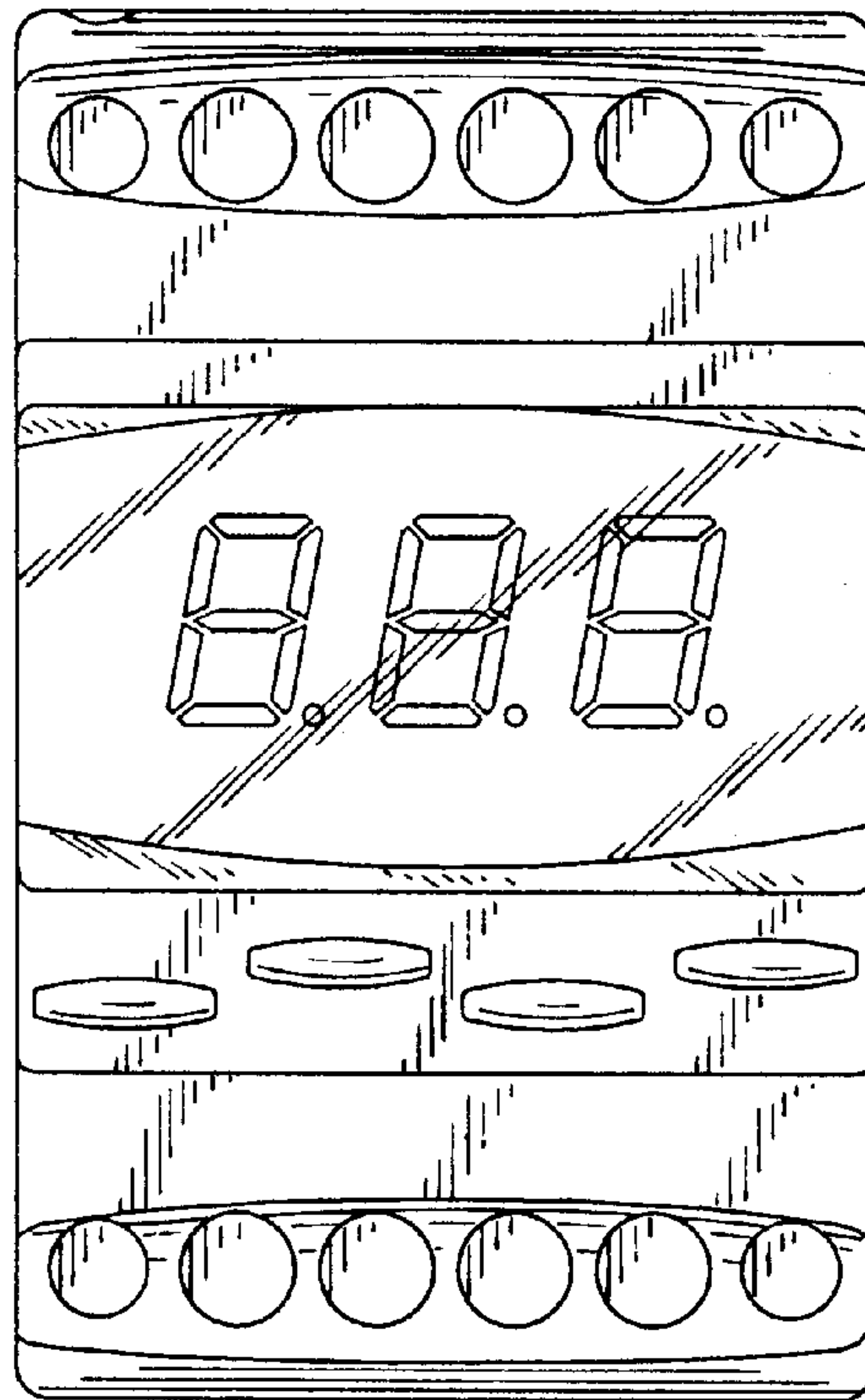


FIG. 12

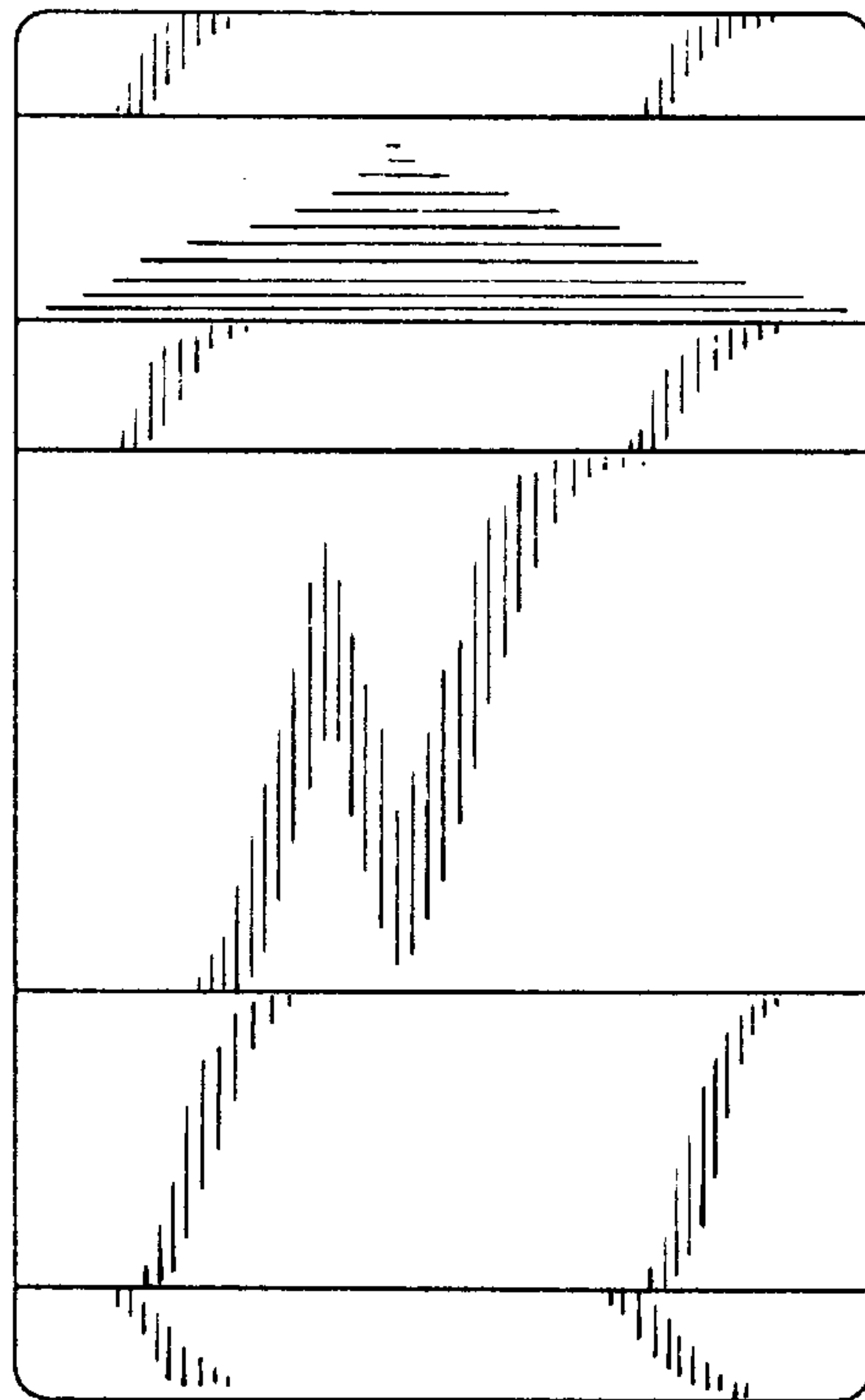


FIG. 13

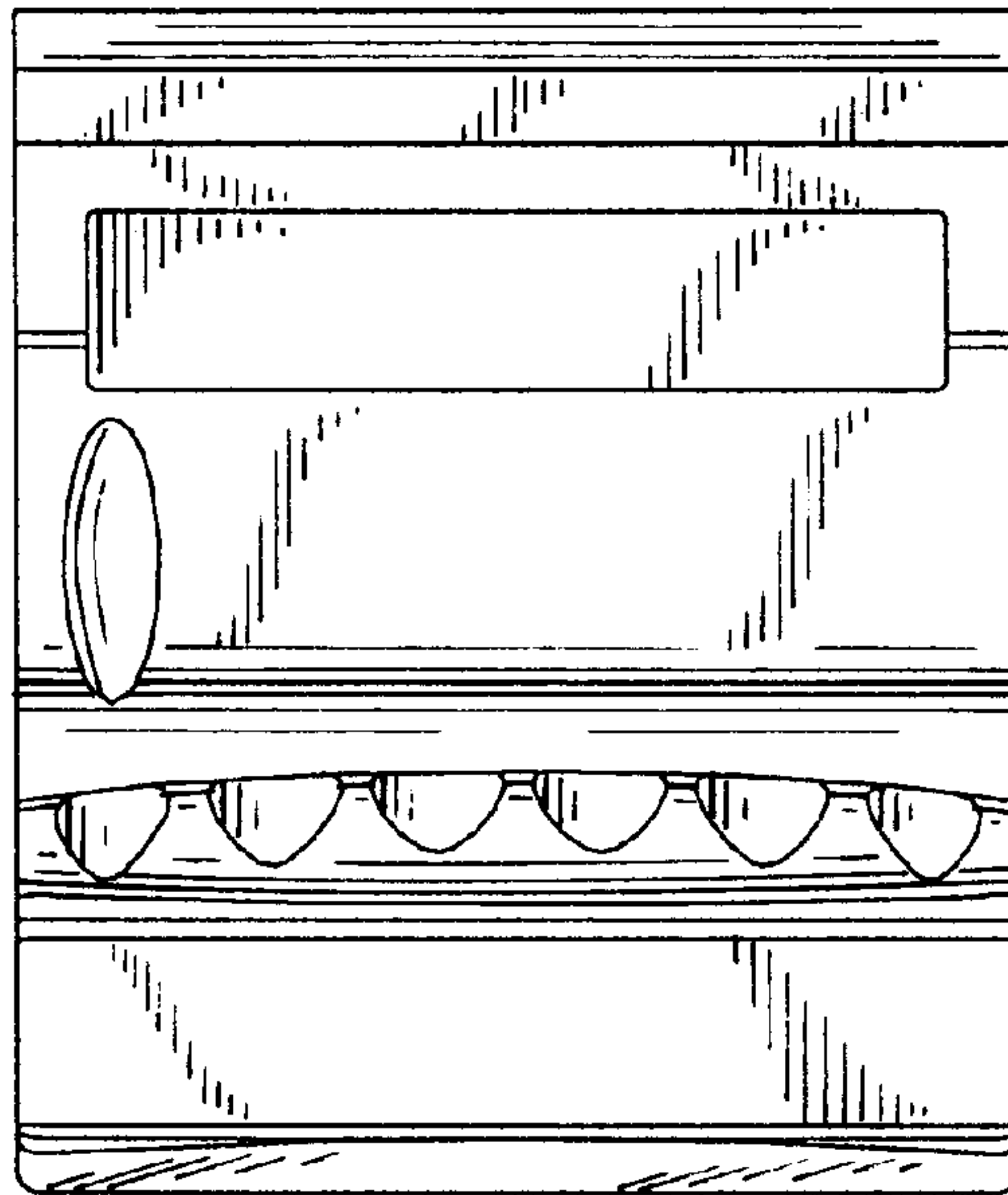


FIG. 14

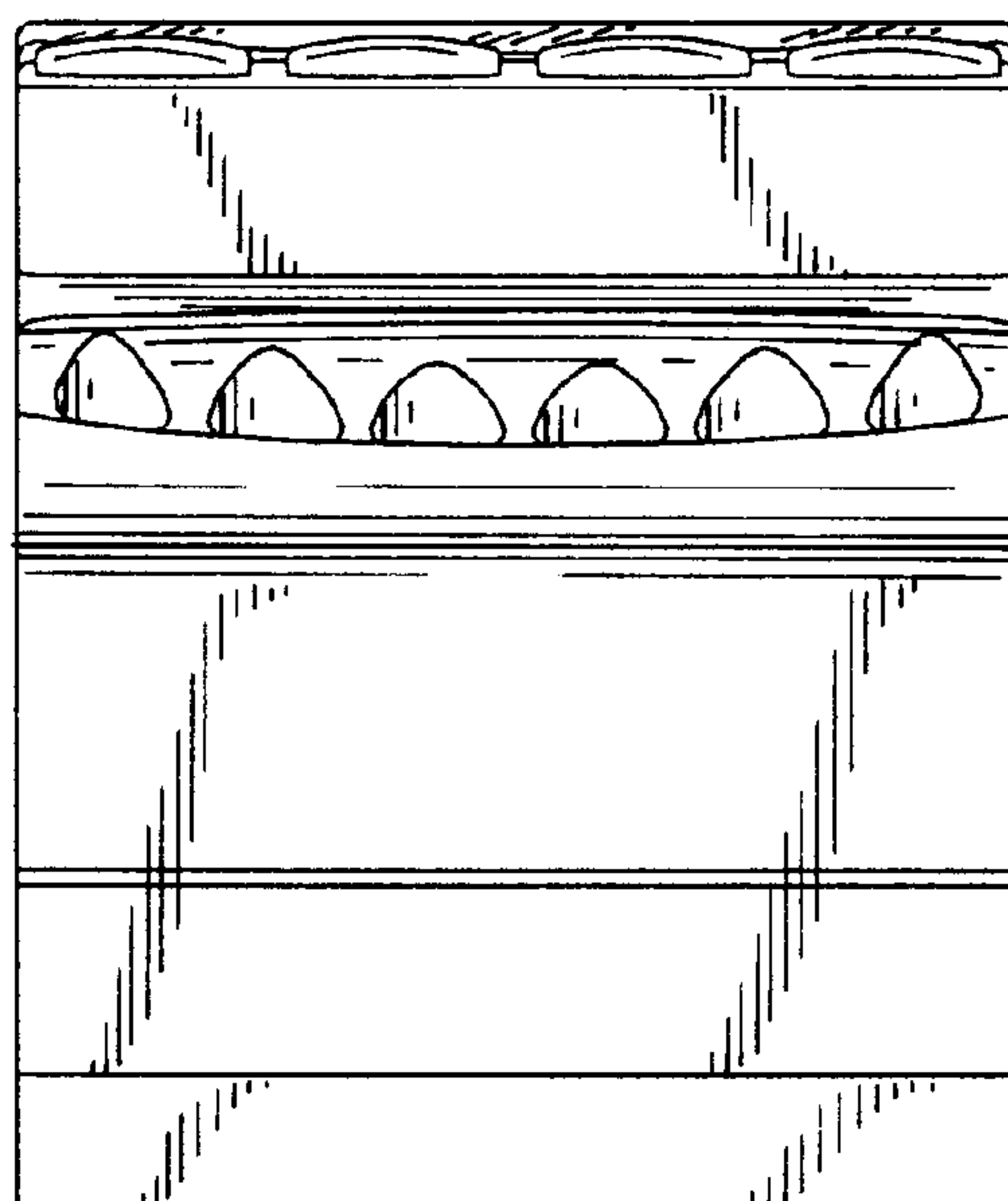


FIG. 15

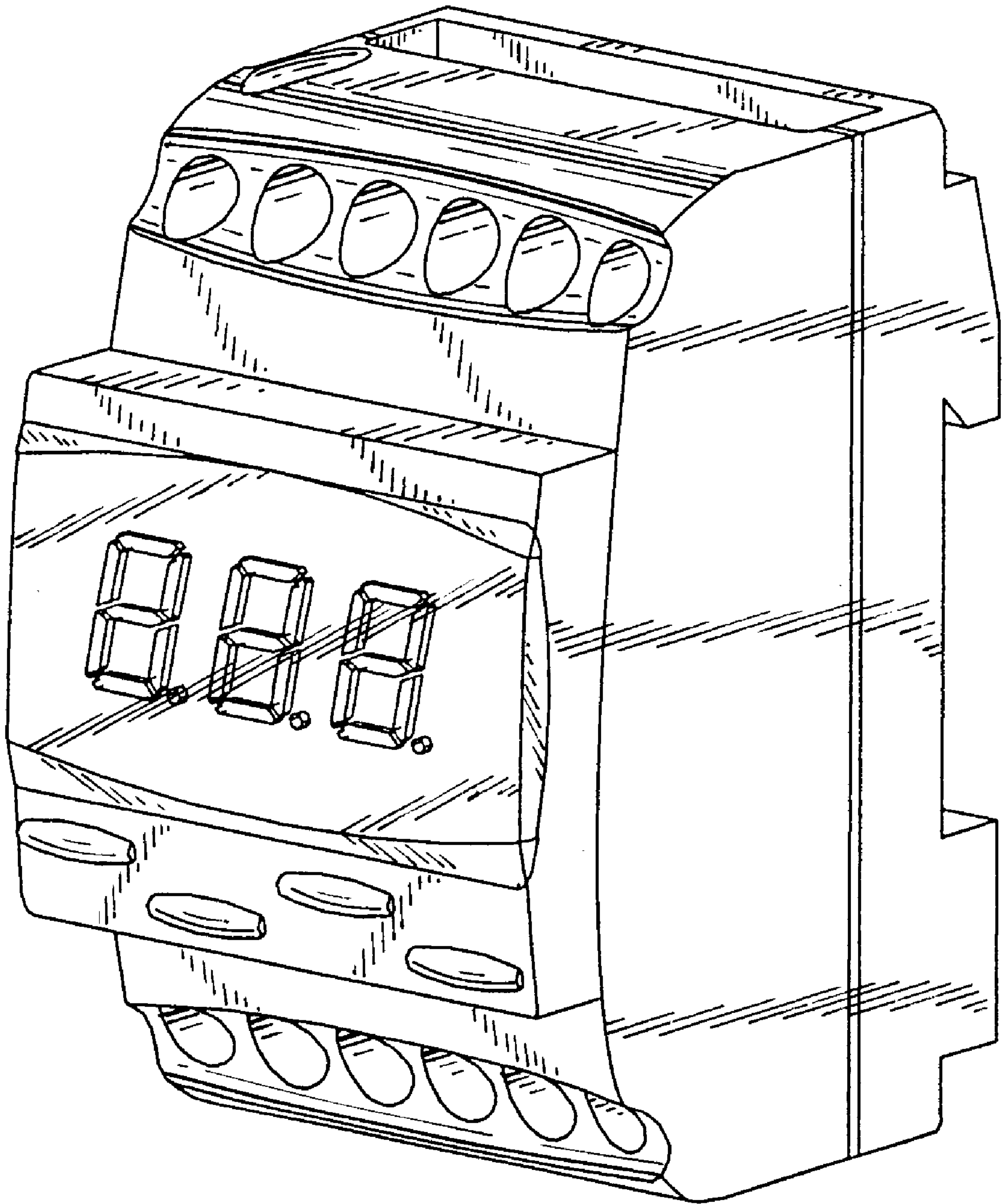


FIG. 16

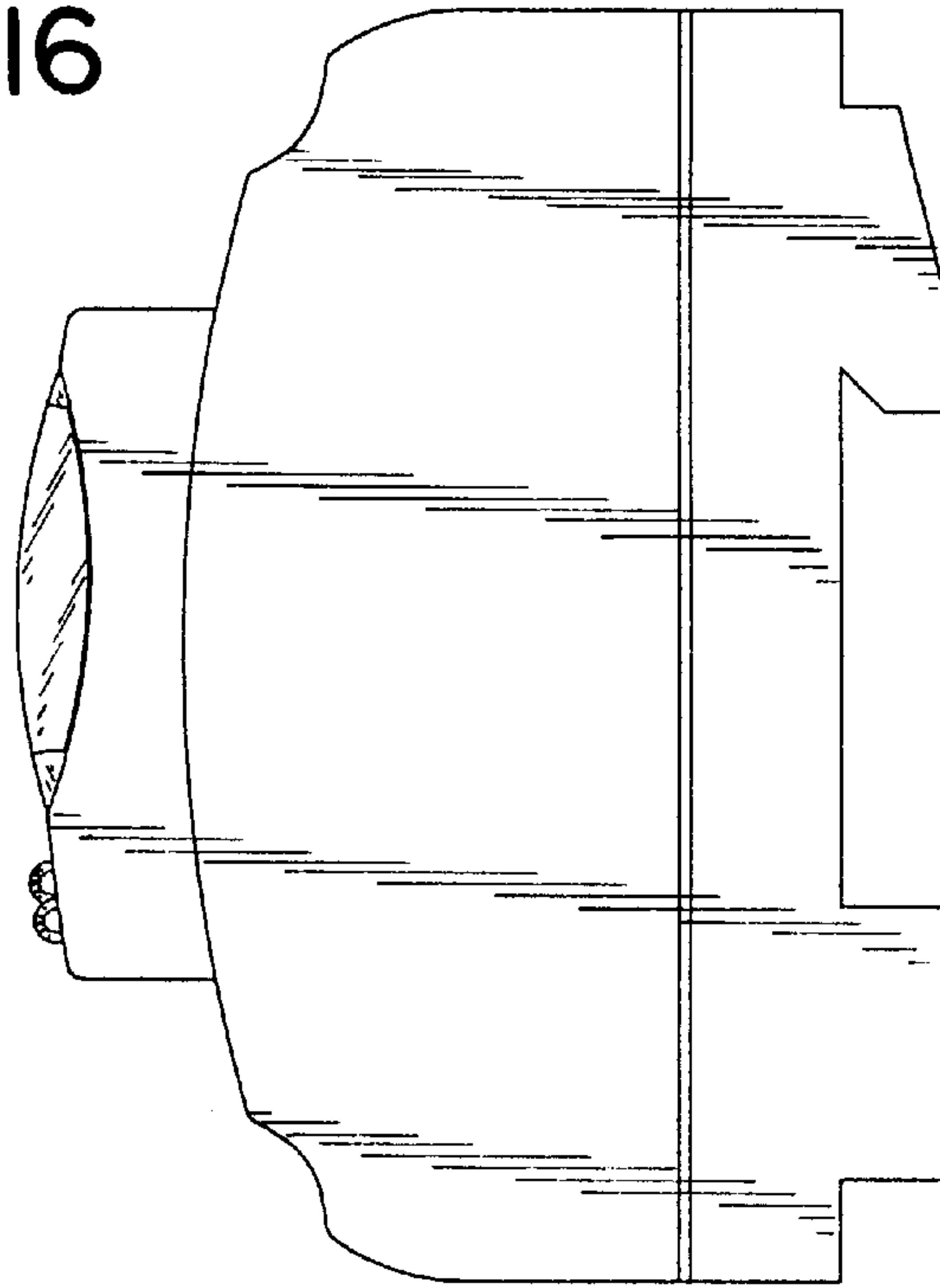


FIG. 17

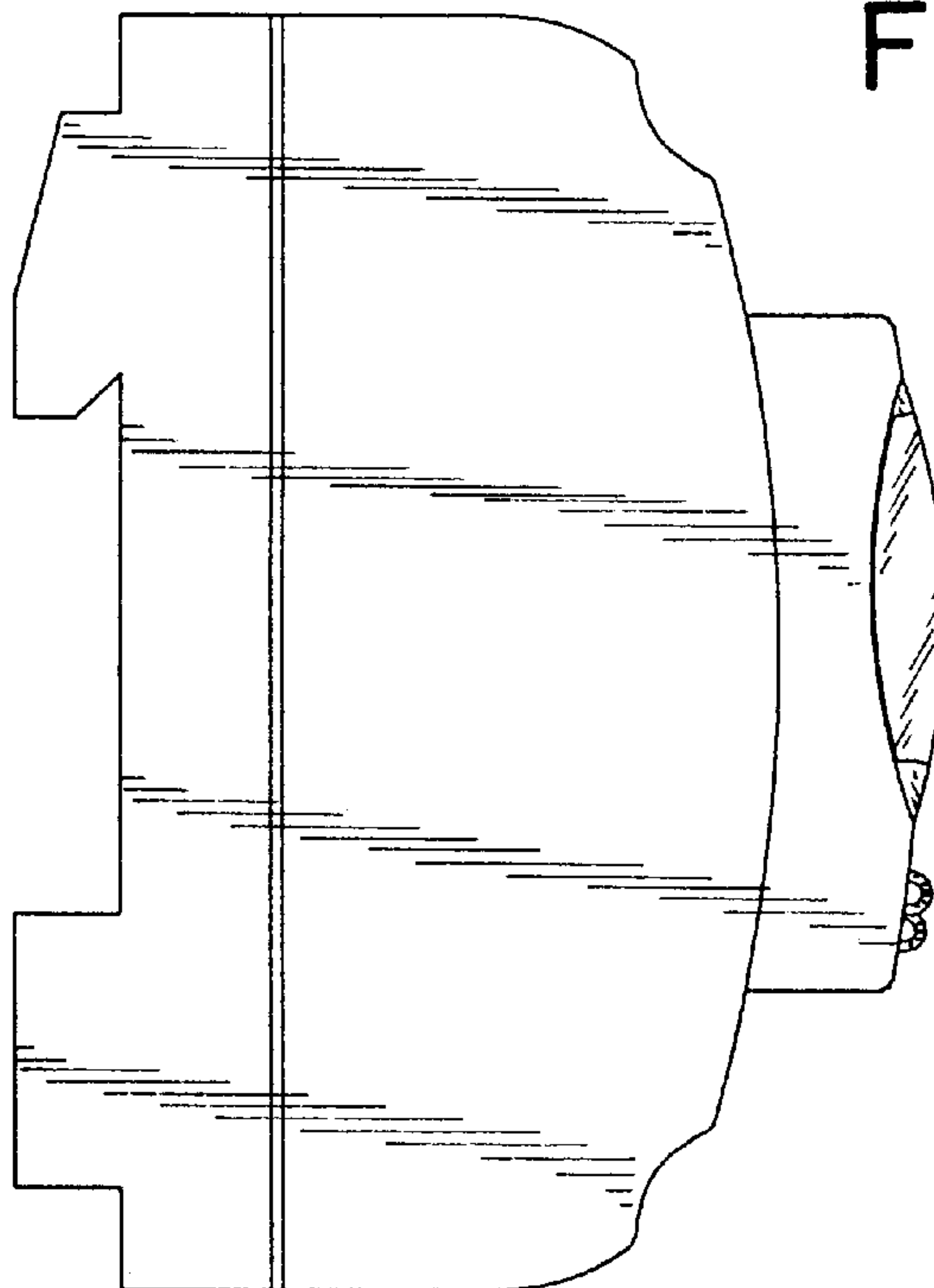


FIG. 18

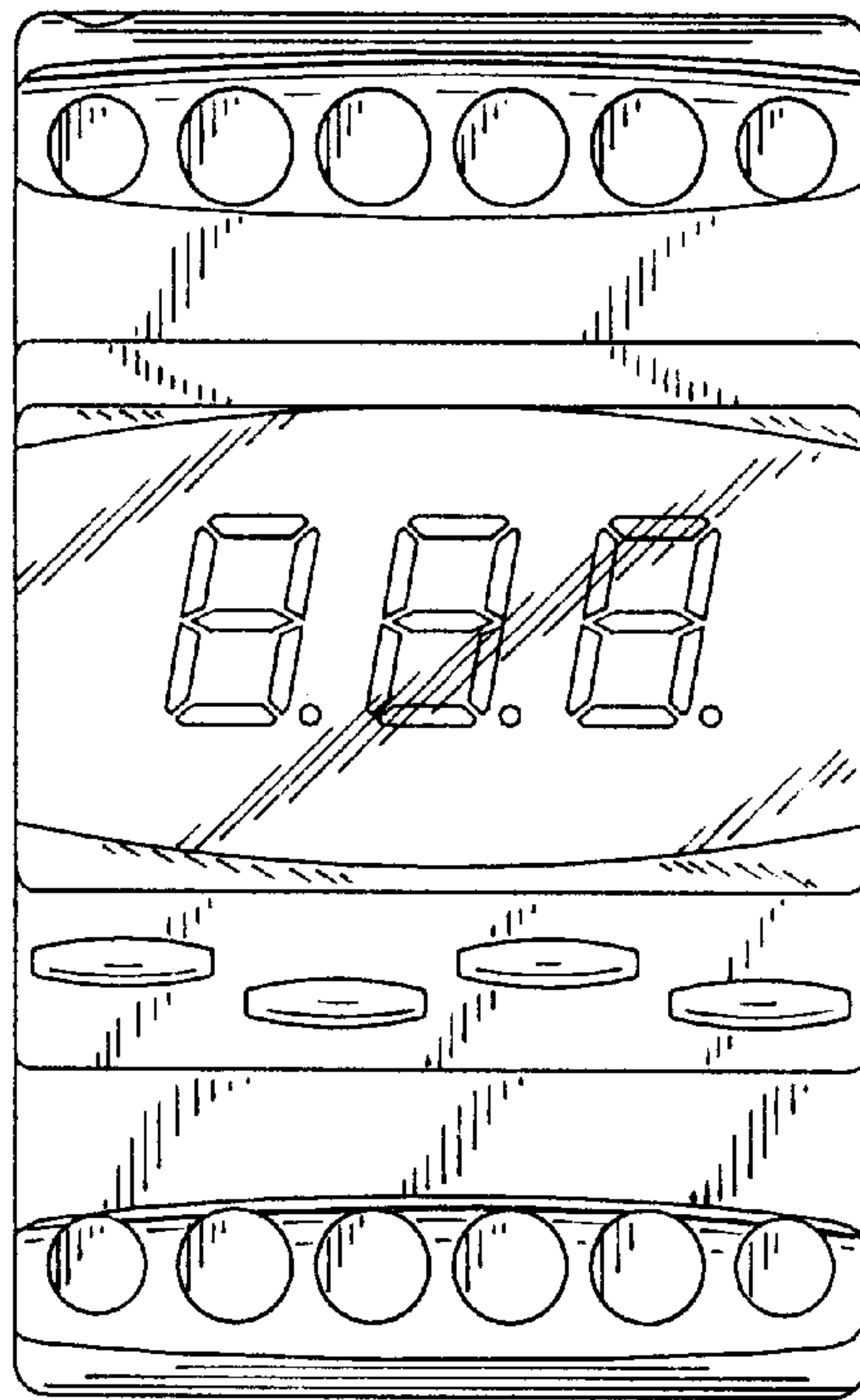


FIG. 19

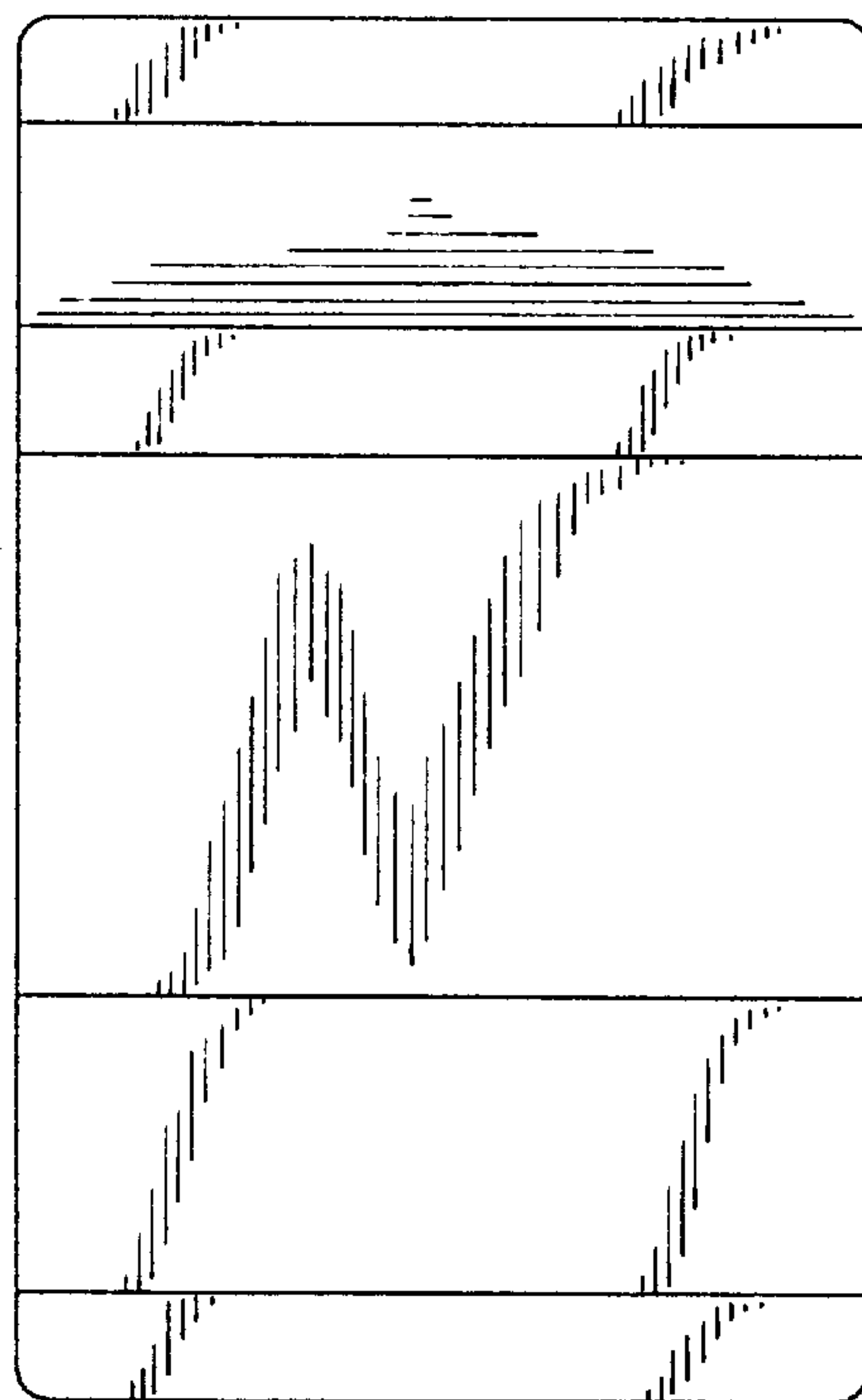


FIG. 20

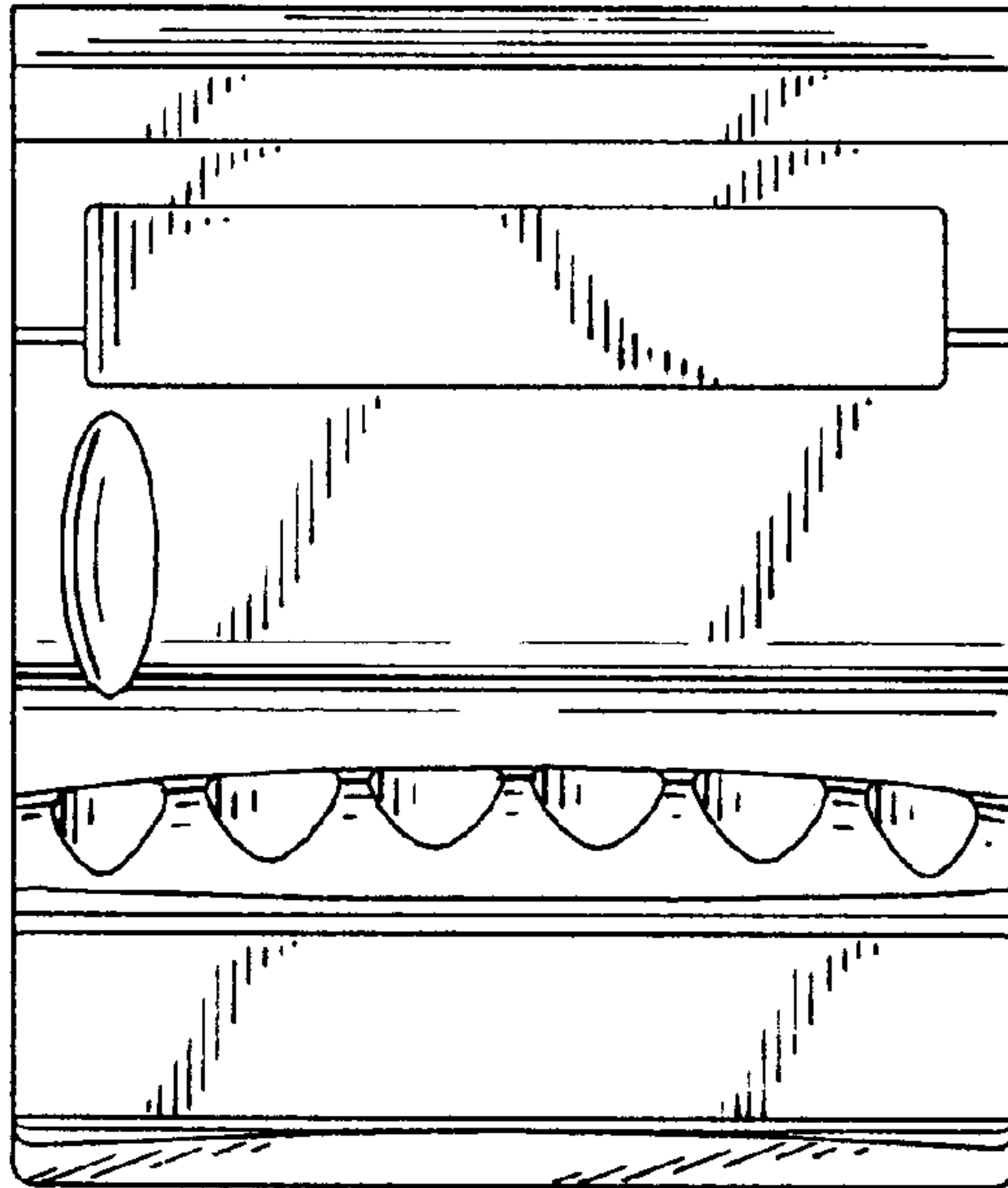


FIG. 21

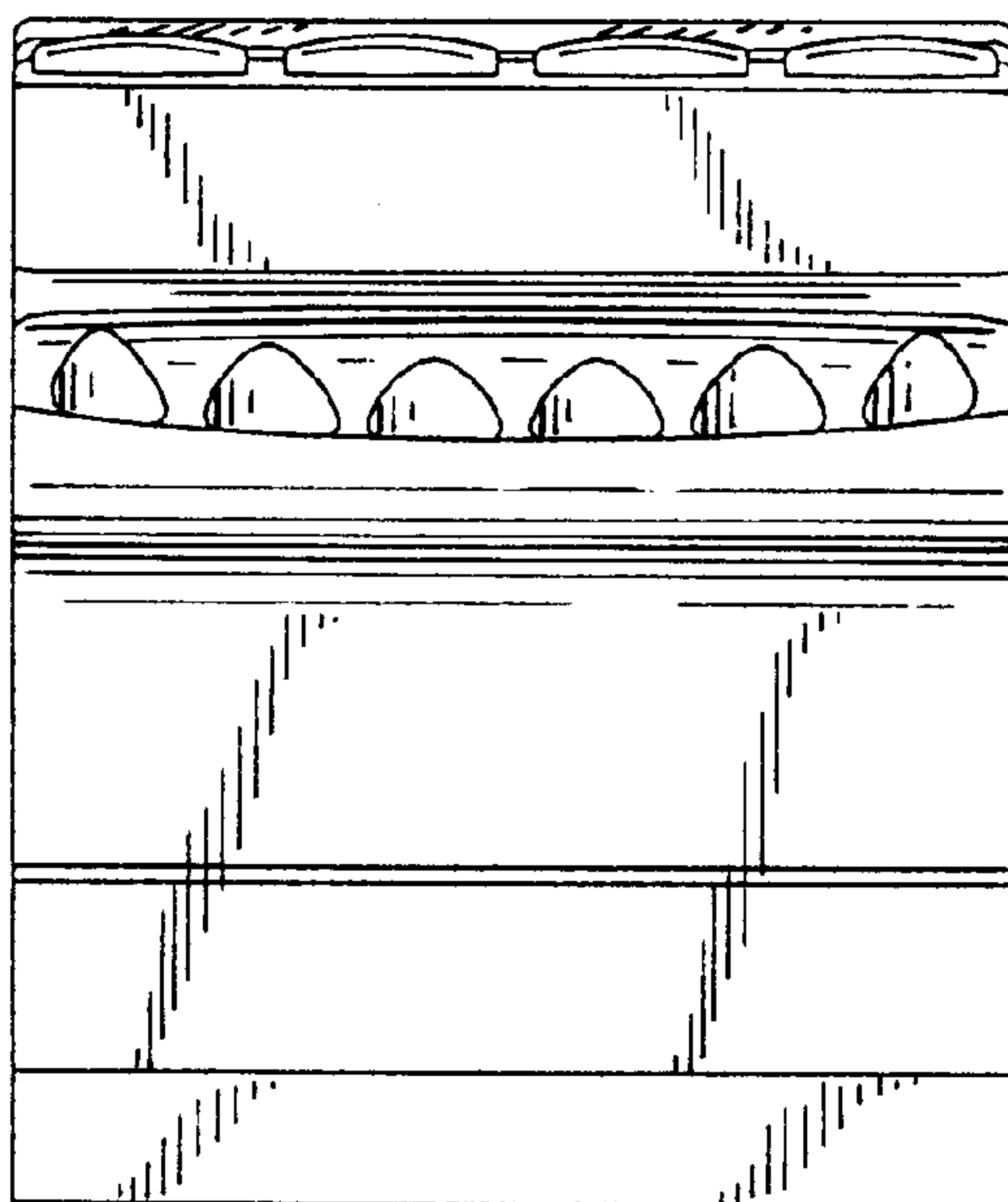


FIG. 22

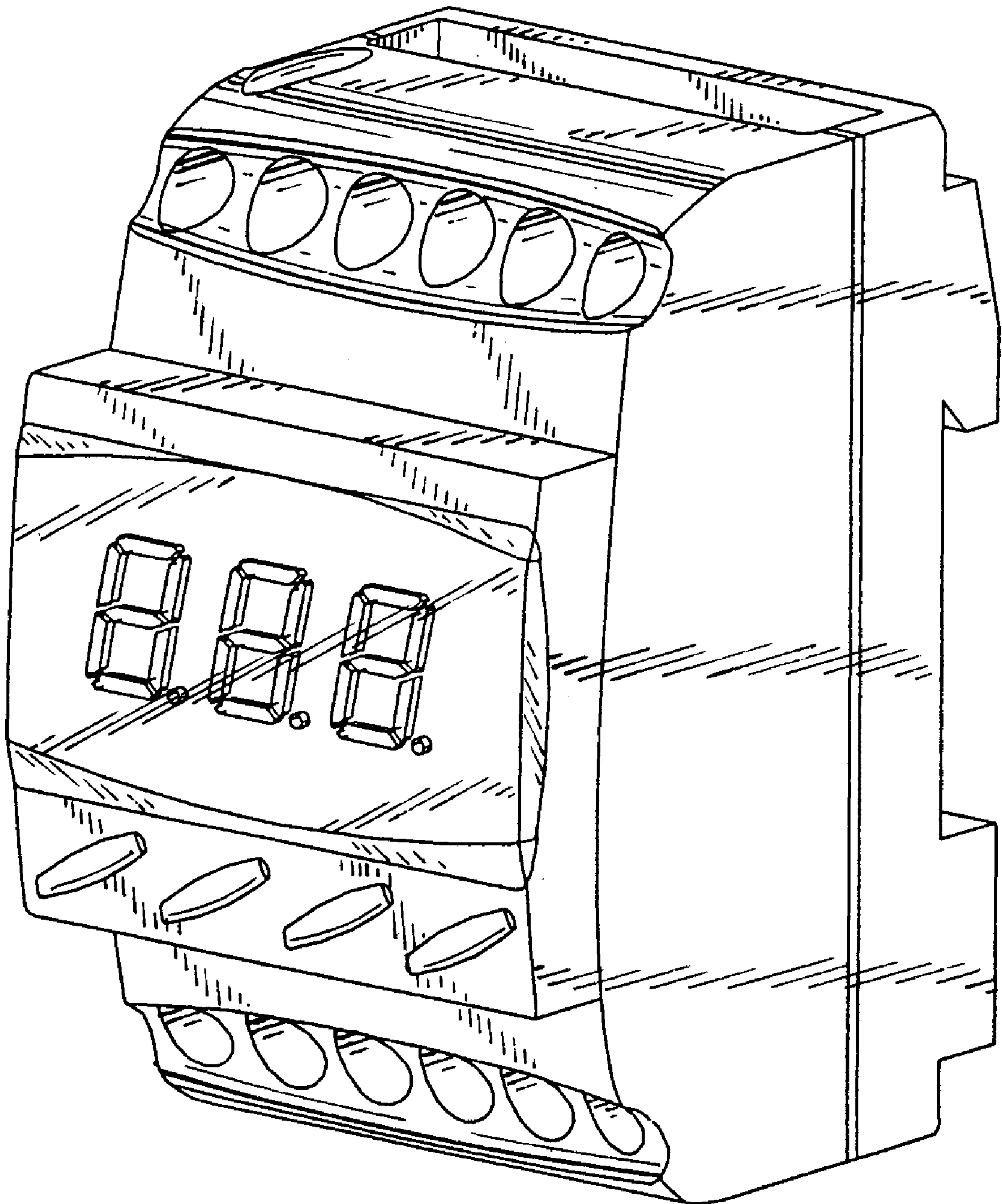


FIG. 23

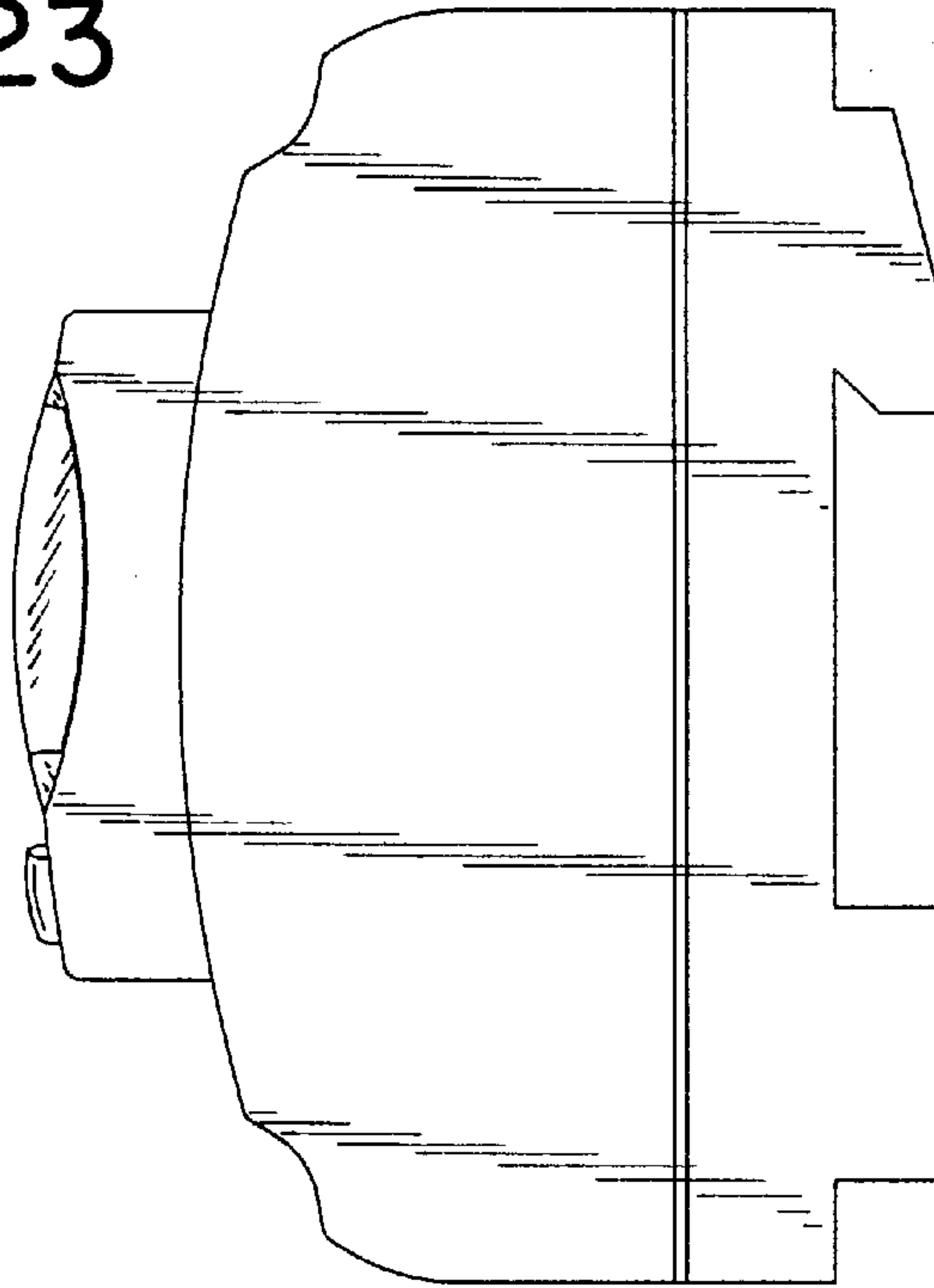


FIG. 24

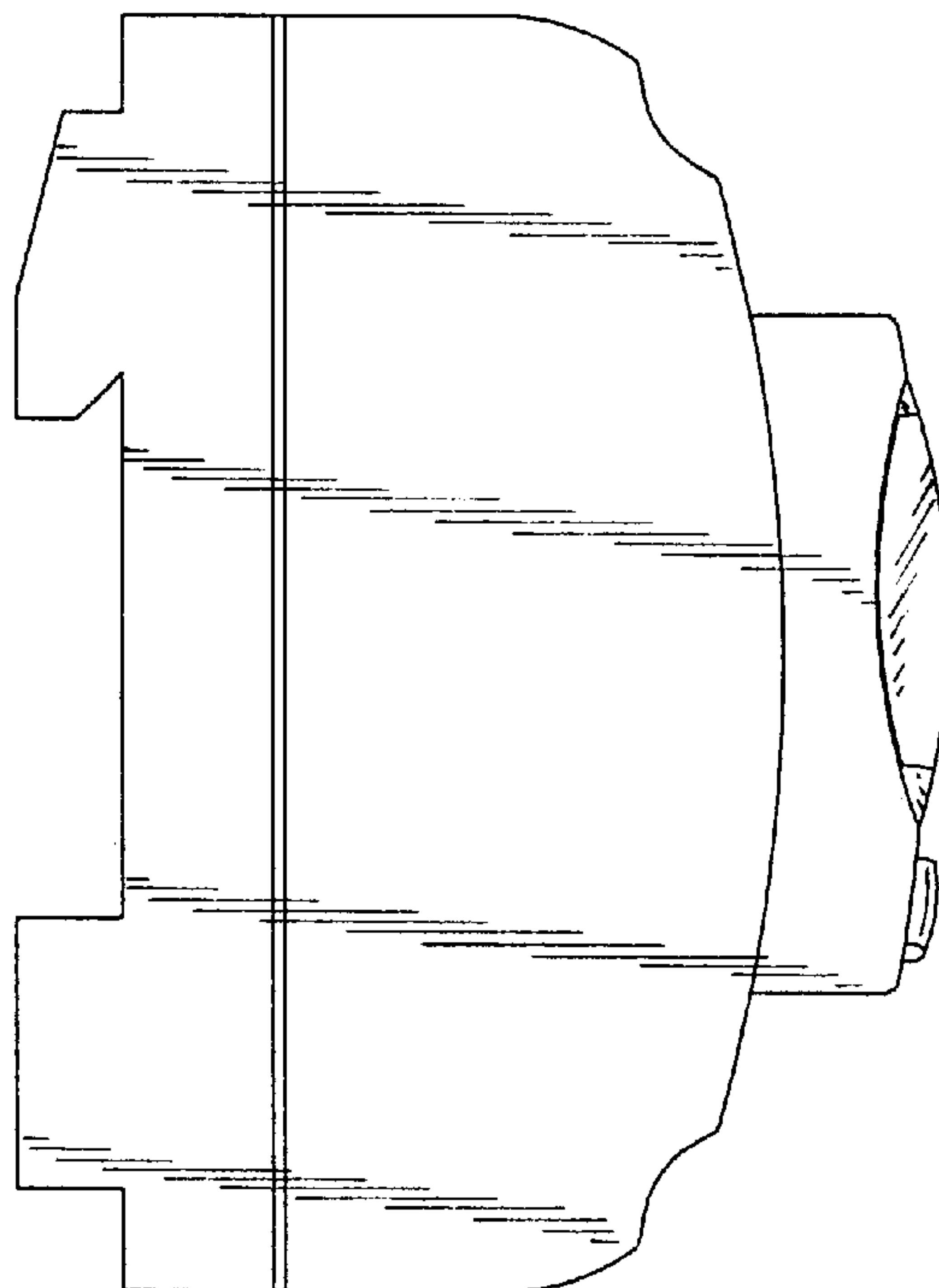


FIG. 25

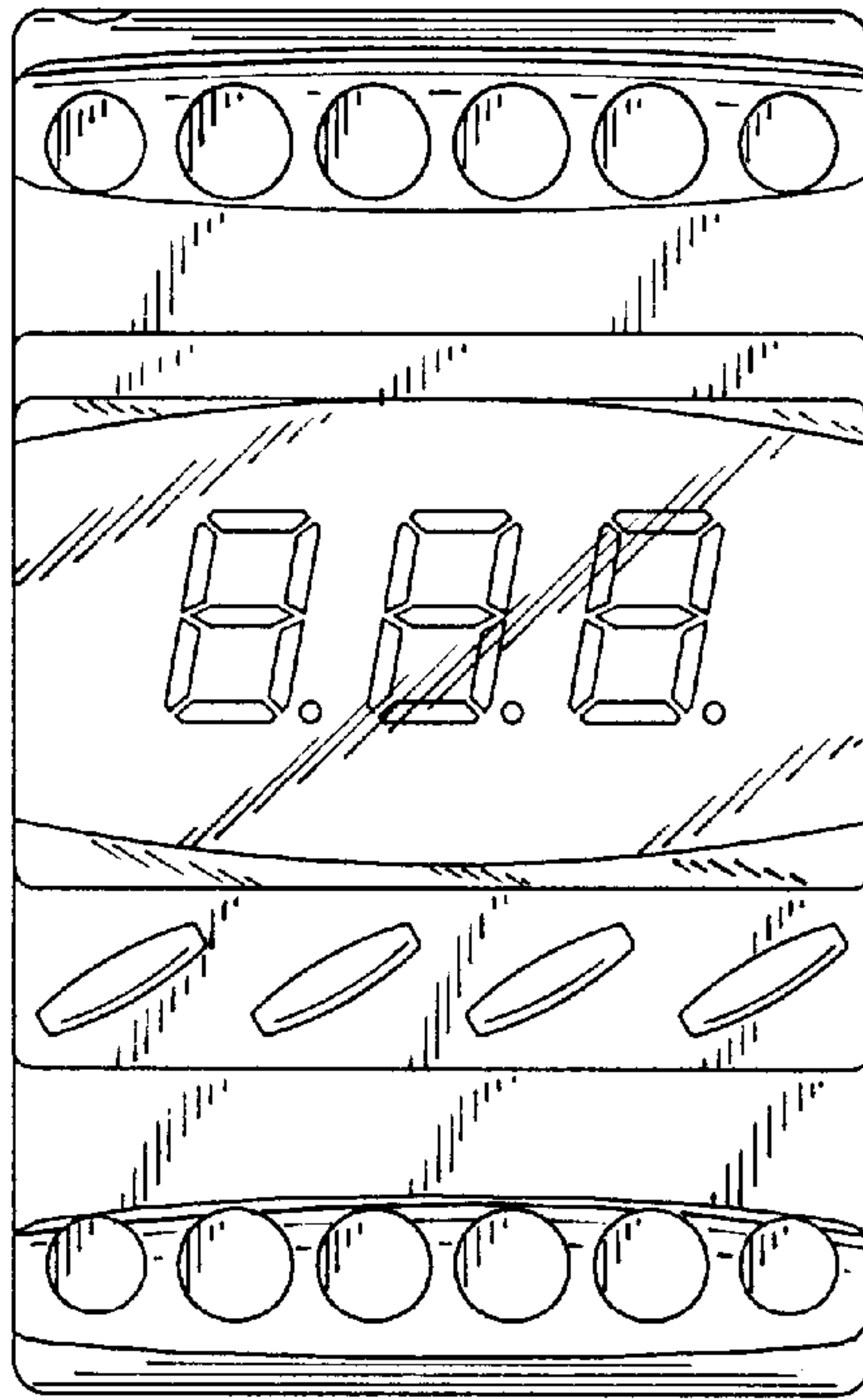


FIG. 26

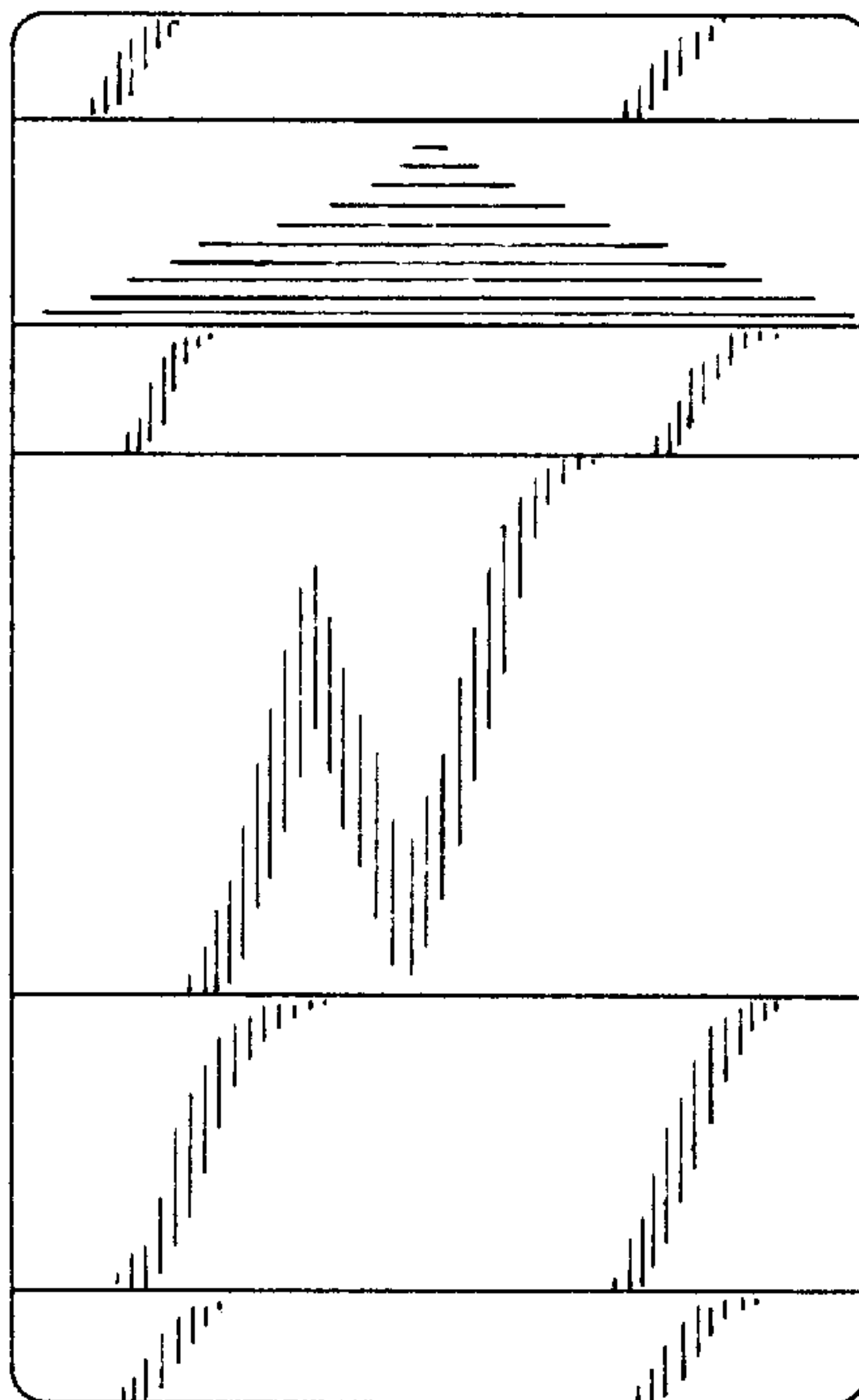


FIG. 27

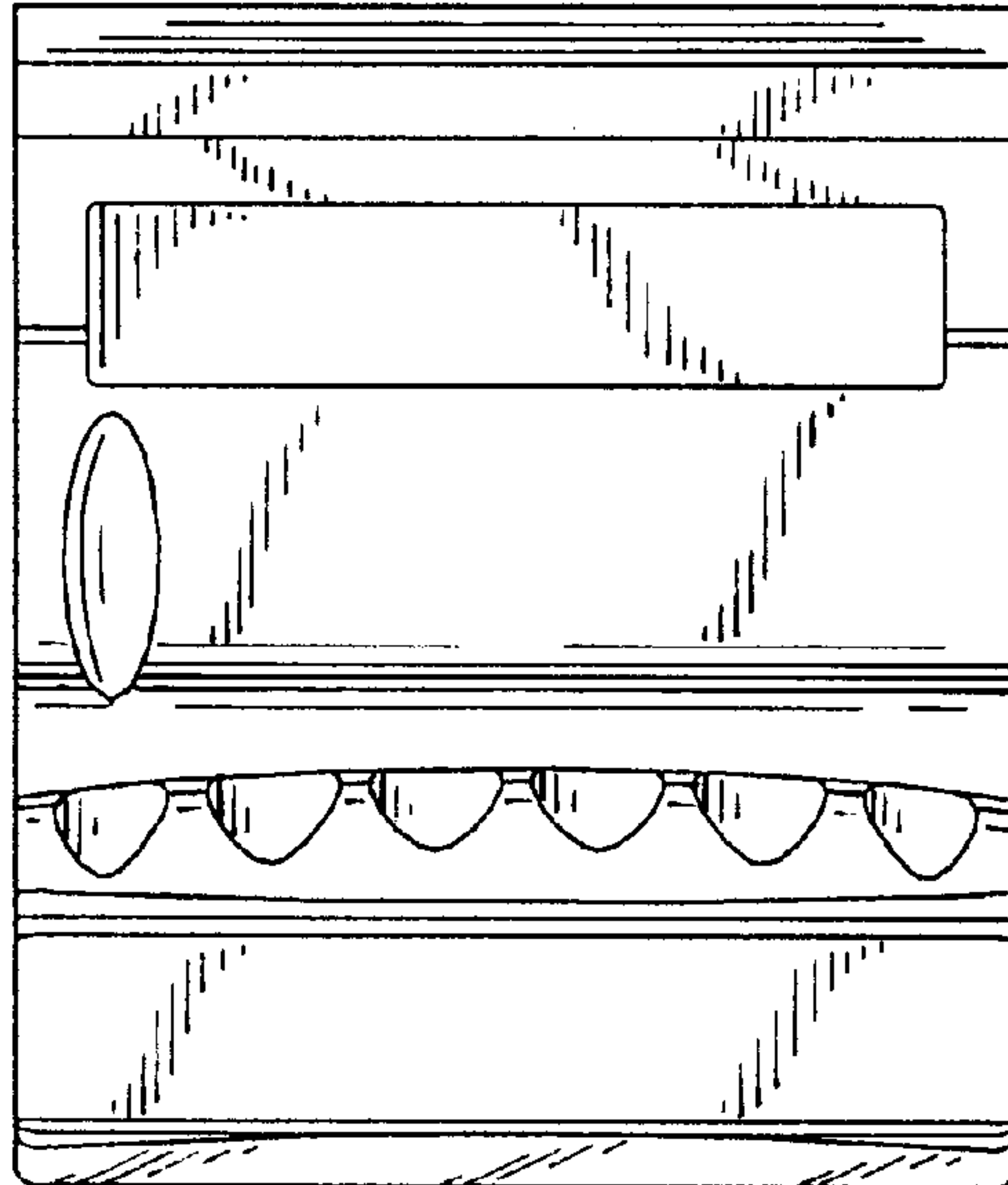


FIG. 28

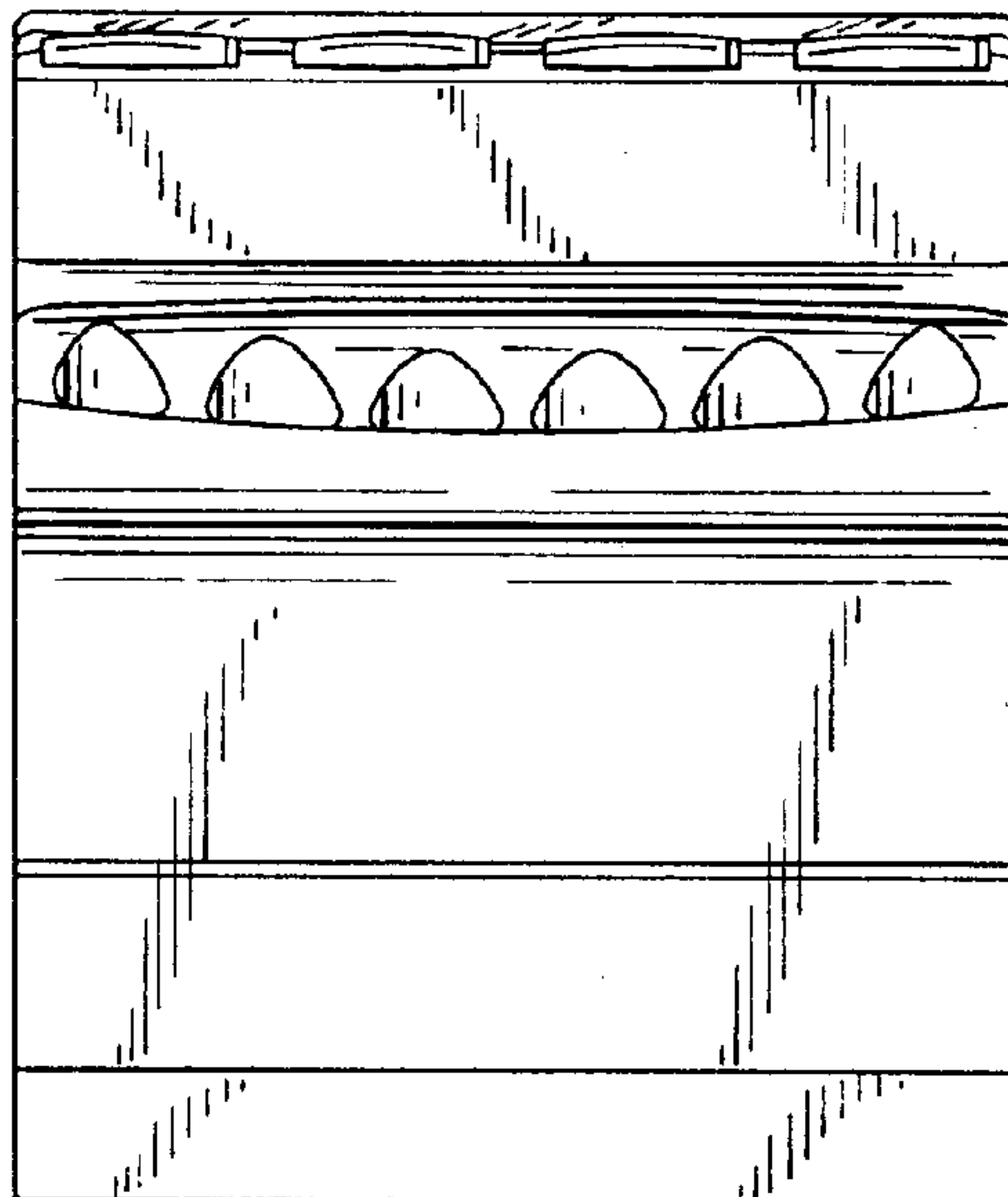


FIG. 29

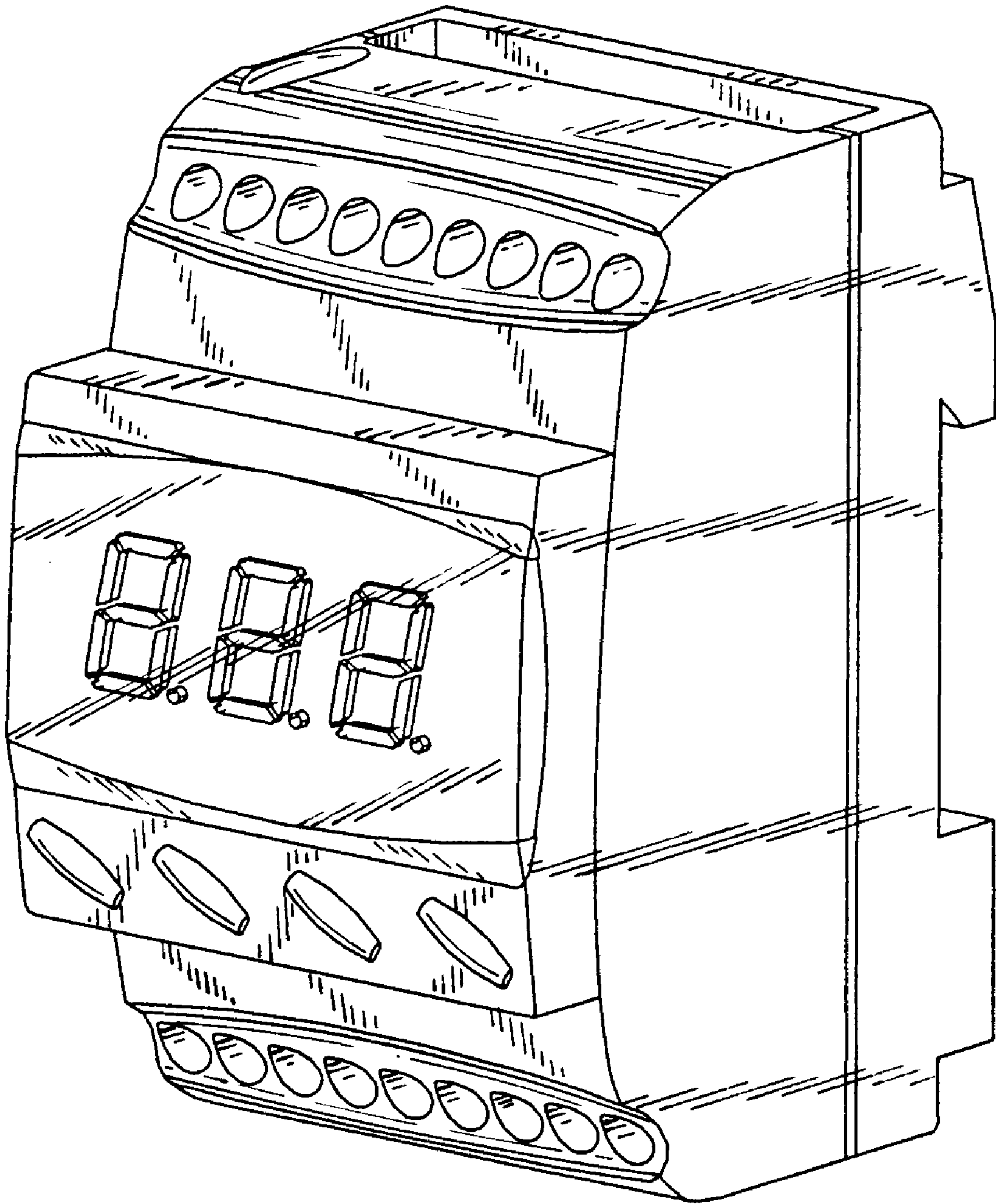


FIG. 30

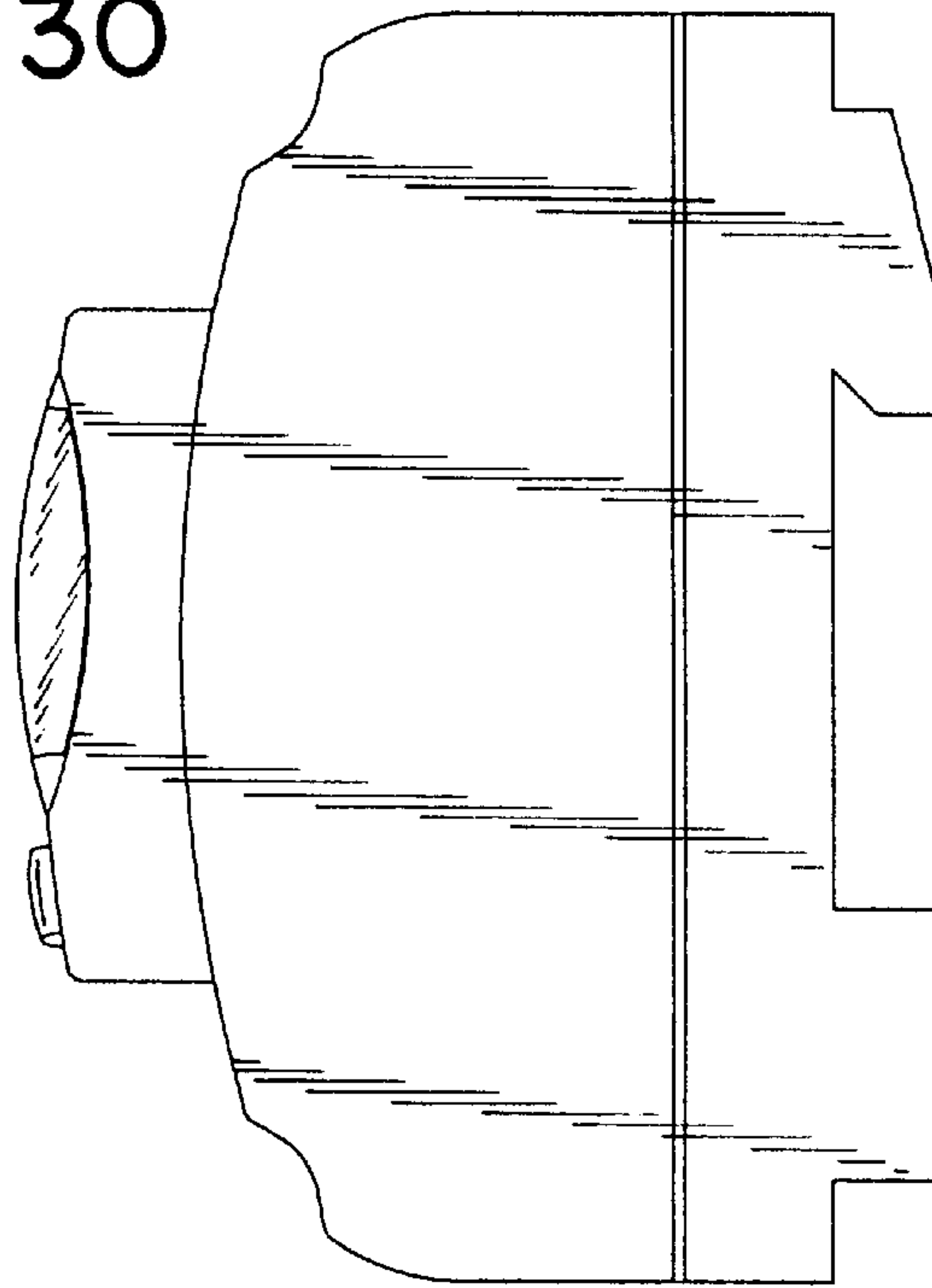


FIG. 31

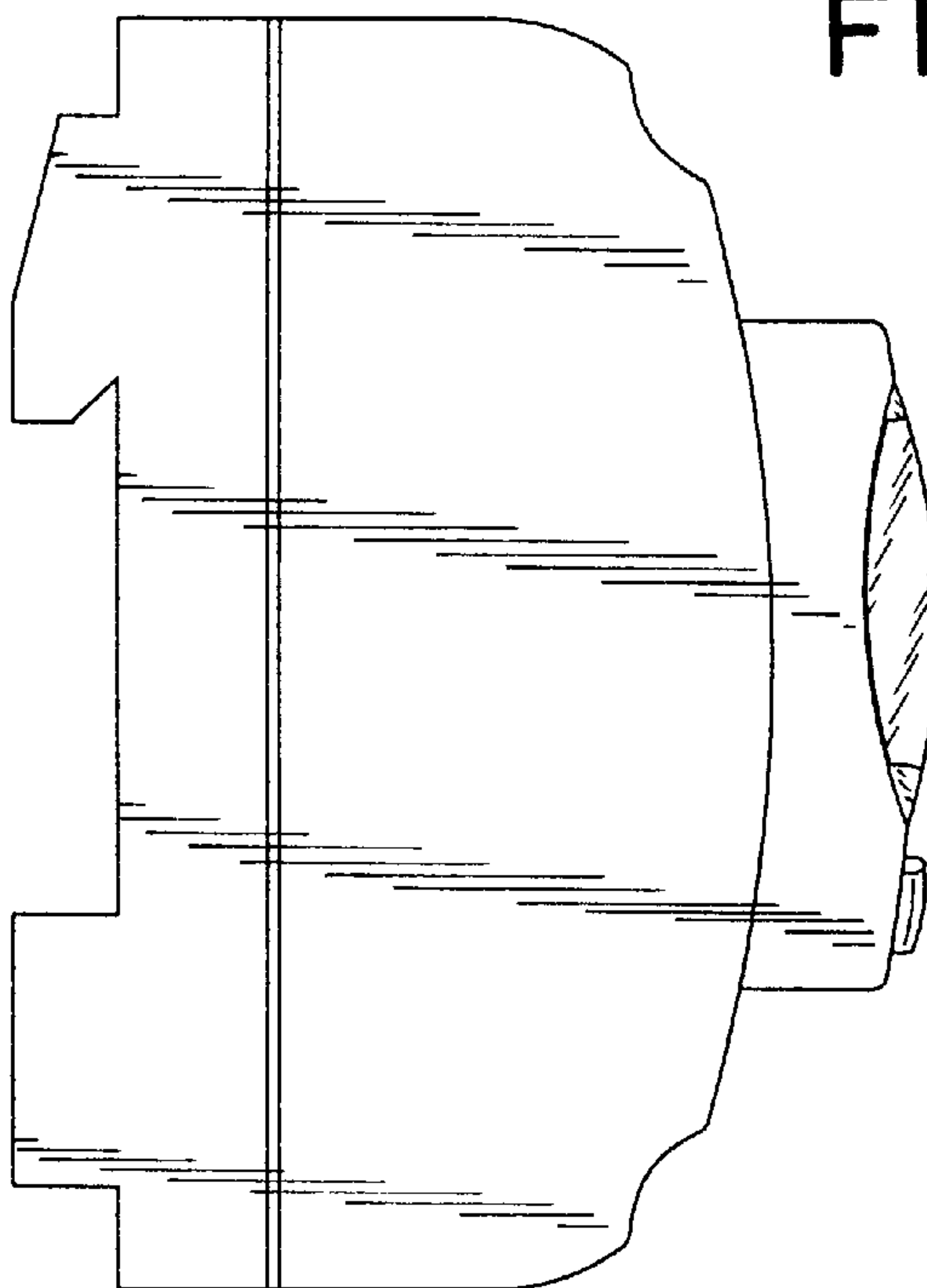


FIG. 32

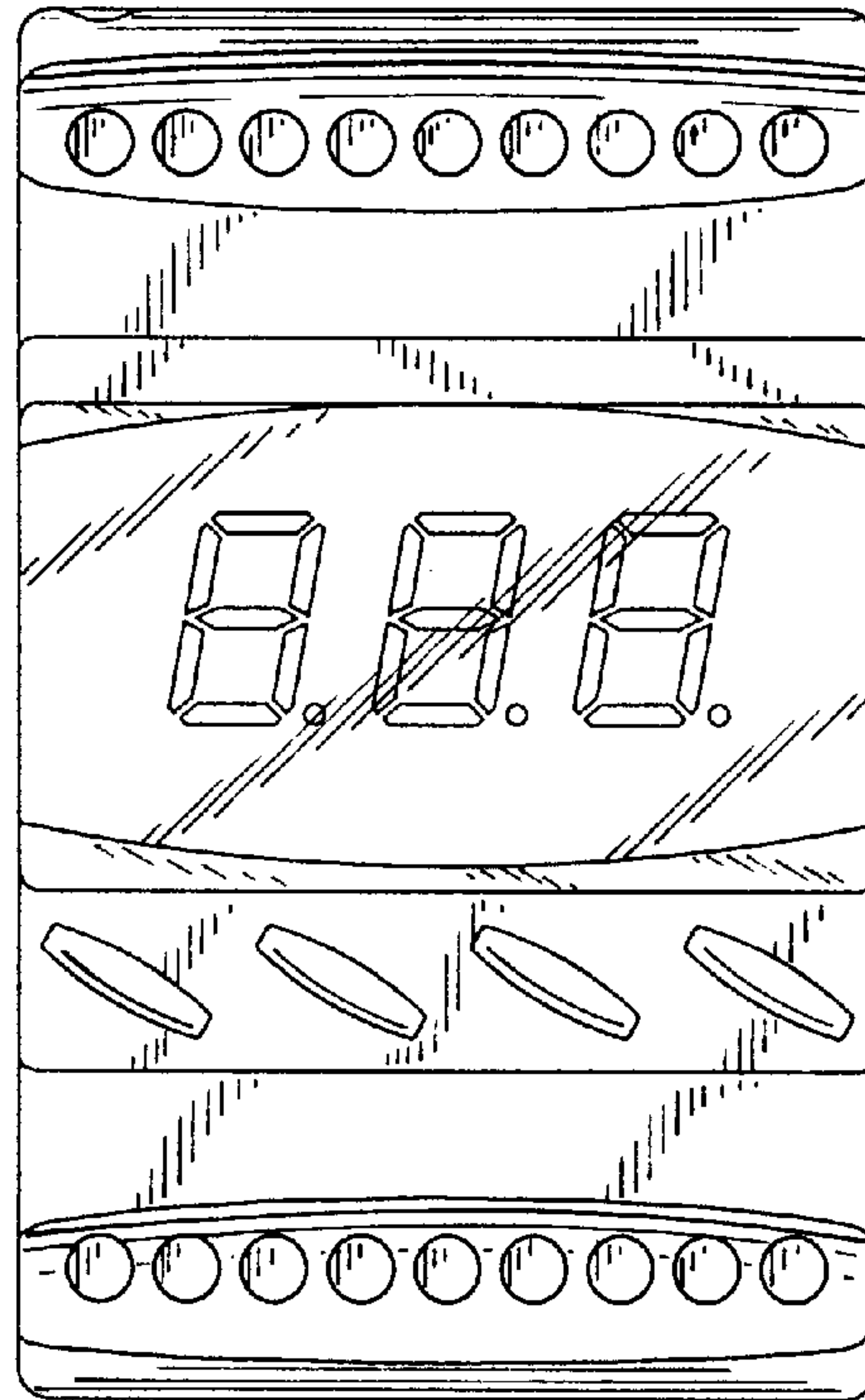


FIG. 33

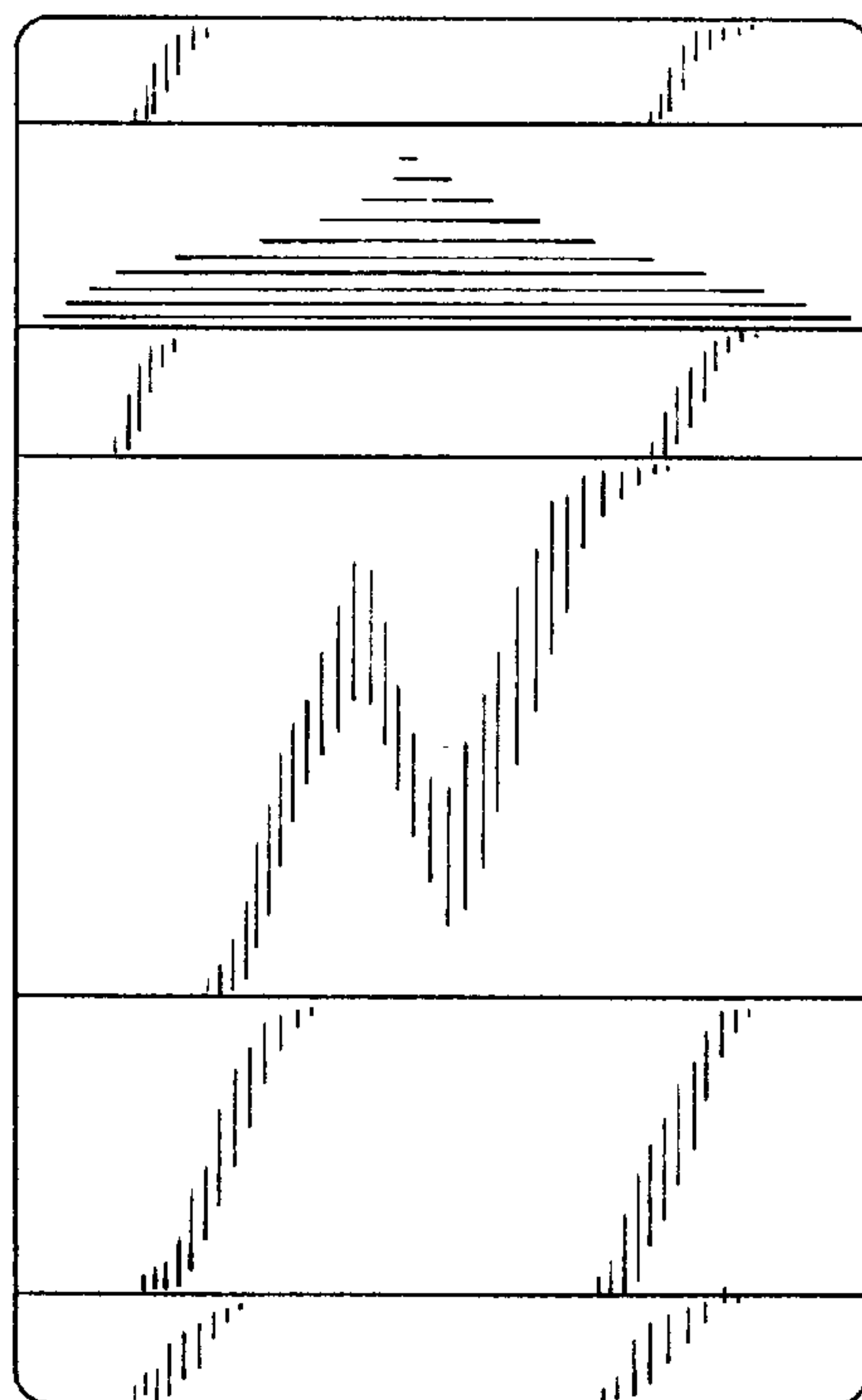


FIG. 34

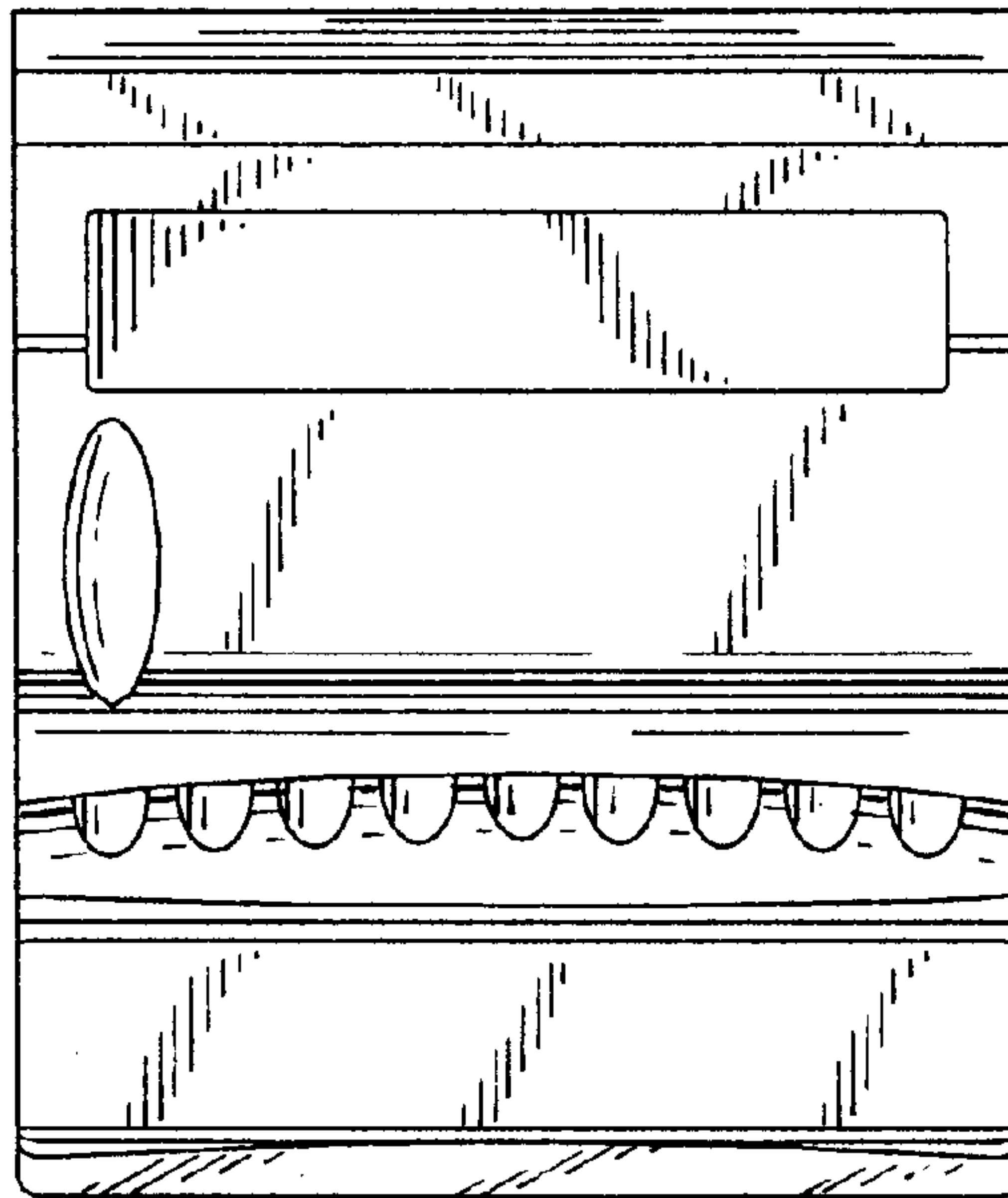


FIG. 35

