



US00D430852S

**United States Patent** [19]  
**Miyashita**

[11] **Patent Number: Des. 430,852**

[45] **Date of Patent: \*\* Sep. 12, 2000**

[54] **MULTI-DIRECTIONAL SWITCH**  
[75] Inventor: **Isao Miyashita**, Yamanashi-ken, Japan  
[73] Assignee: **Citizen Electronics Co., Ltd.**,  
Fujiyoshida, Japan  
[\*\*] Term: **14 Years**

3,996,429 12/1976 Chu et al. .... 200/5 A  
4,947,461 8/1990 Yoshioka et al. .... 200/5 R  
5,396,030 3/1995 Matsumiya ..... 200/5 A X  
5,536,911 7/1996 Madill ..... 200/5 A X

*Primary Examiner*—Brian N. Vinson  
*Attorney, Agent, or Firm*—Dennison, Scheiner, Schultz &  
Wakeman

[21] Appl. No.: **29/114,910**  
[22] Filed: **Dec. 6, 1999**

[57] **CLAIM**

The ornamental design for a multi-directional switch, as shown and described.

[30] **Foreign Application Priority Data**

Jun. 4, 1999 [JP] Japan ..... 11-14507

[51] **LOC (7) Cl.** ..... **13-03**  
[52] **U.S. Cl.** ..... **D13/158**  
[58] **Field of Search** ..... D13/158, 169,  
D13/171, 174; 200/5 R, 5 A, 5 B, 6 R,  
302.2, 302.3, 329

**DESCRIPTION**

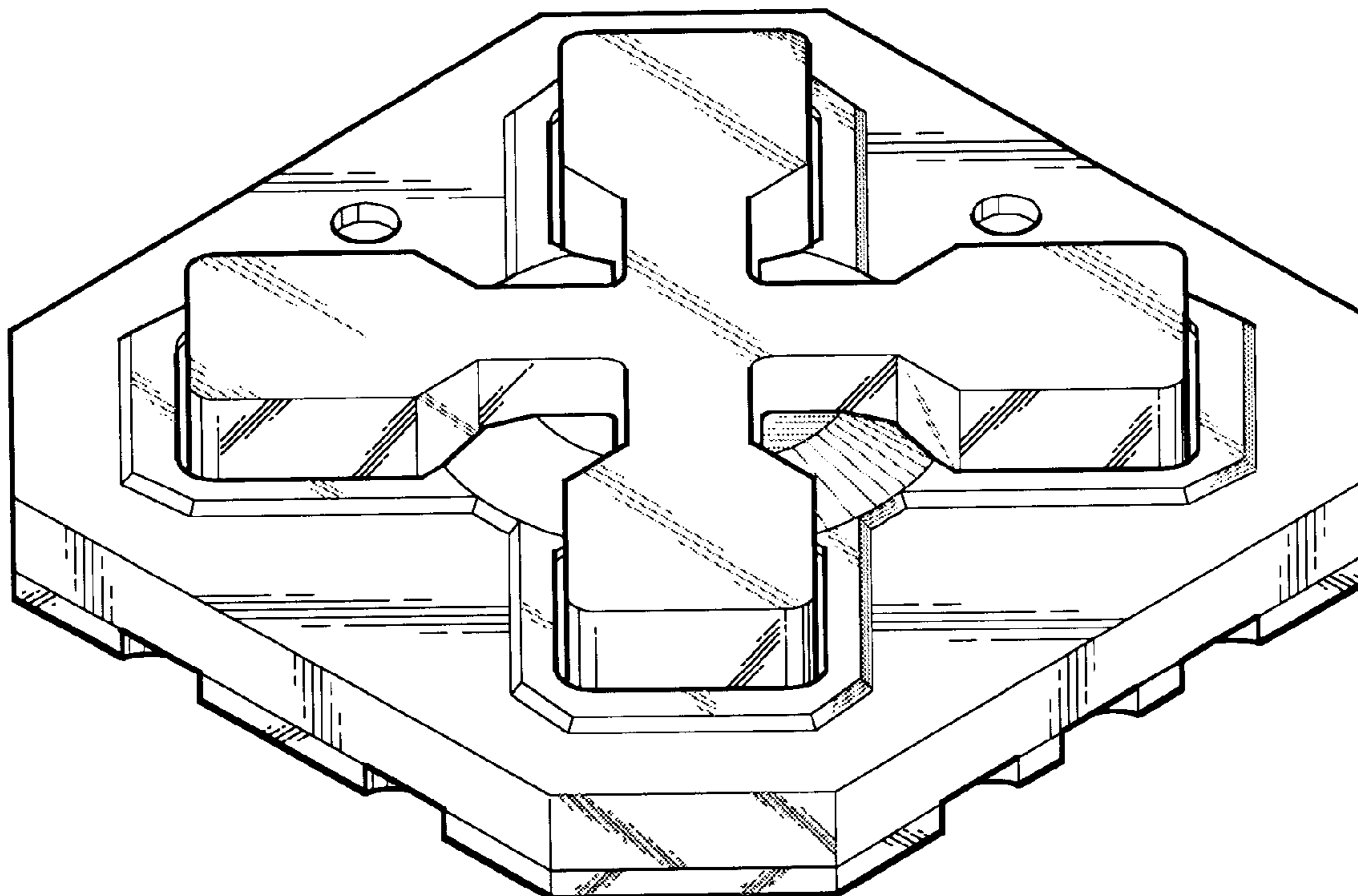
FIG. 1 is a top view of a multi-directional switch embodying my new design;  
FIG. 2 is a front view thereof;  
FIG. 3 is a bottom view thereof;  
FIG. 4 is a rear view thereof;  
FIG. 5 is a right side view thereof;  
FIG. 6 is a left side view thereof;  
FIG. 7 is a perspective view as viewed from the upper side thereof; and,  
FIG. 8 is a perspective view as viewed from the lower side thereof.

[56] **References Cited**

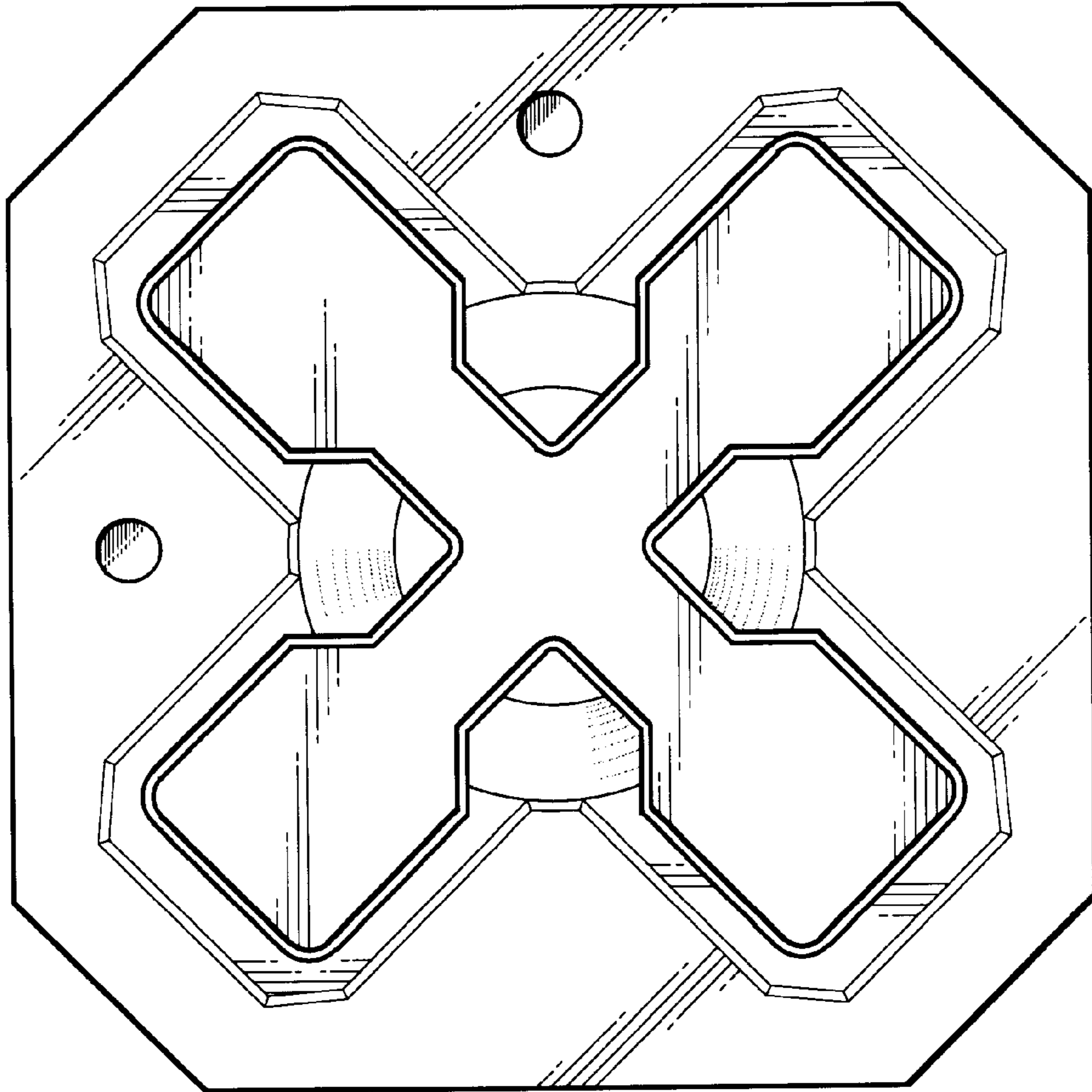
**U.S. PATENT DOCUMENTS**

D. 239,394 3/1976 Adams ..... D13/169  
D. 408,366 4/1999 Popadiuk ..... D13/158  
3,941,964 3/1976 Yoder ..... 200/5 A X

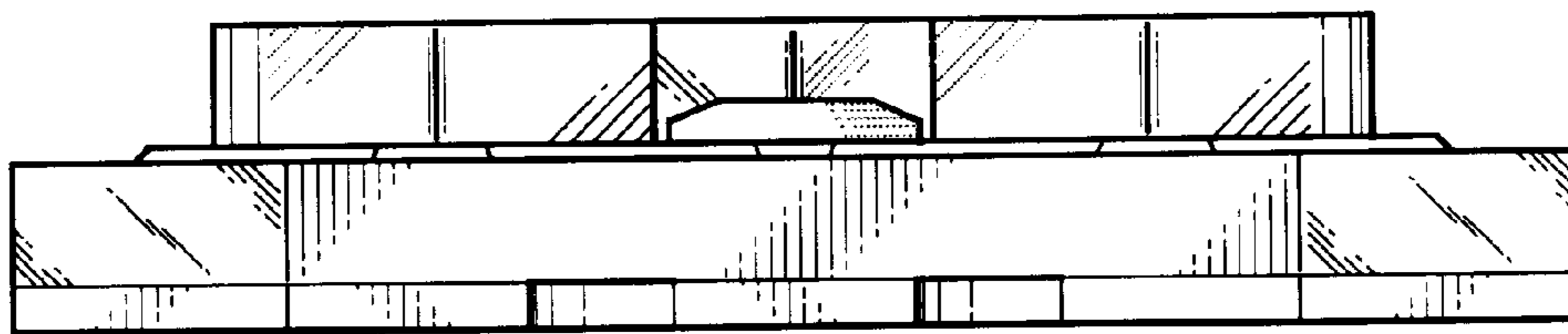
**1 Claim, 5 Drawing Sheets**



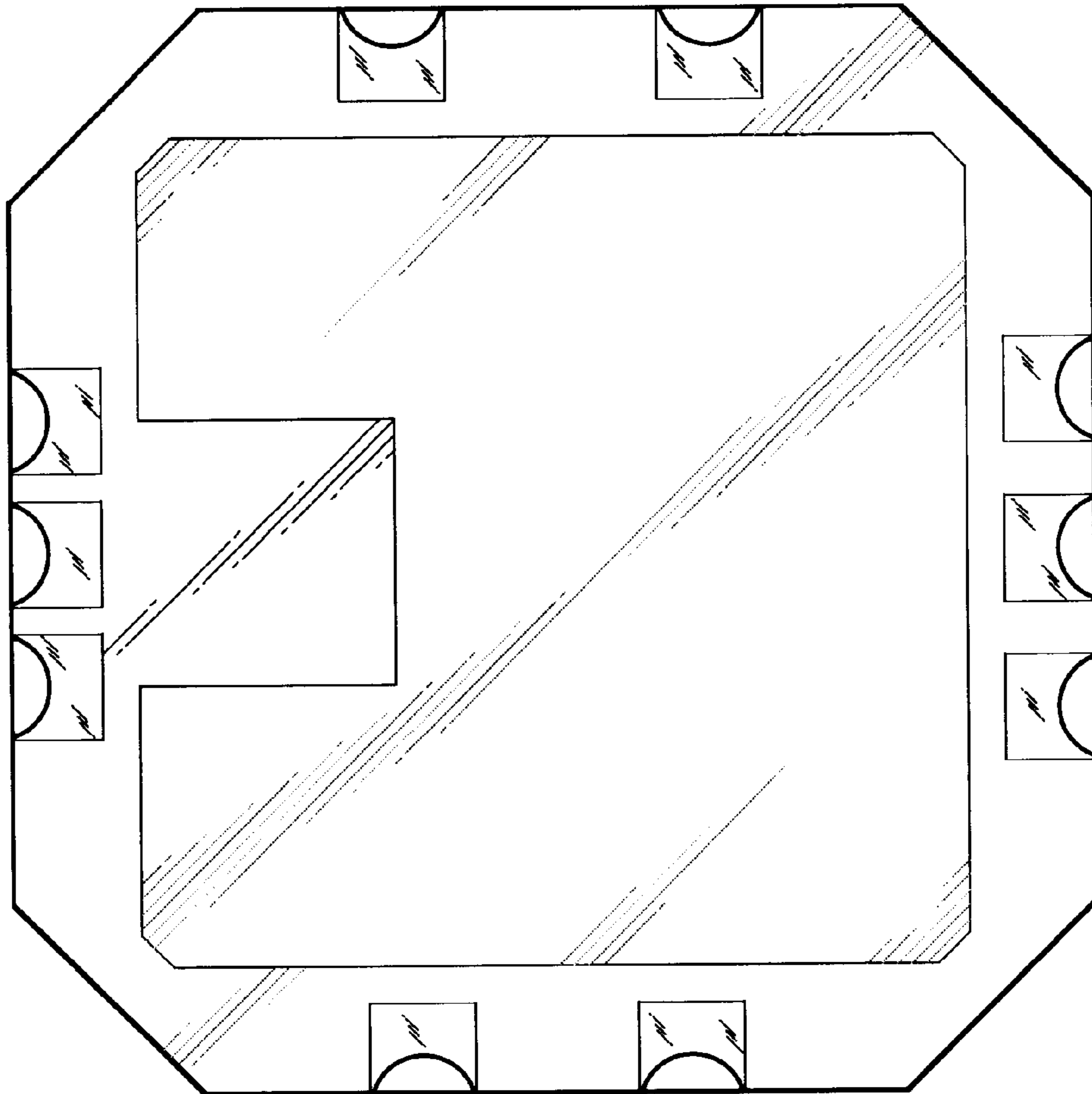
**FIG. 1**



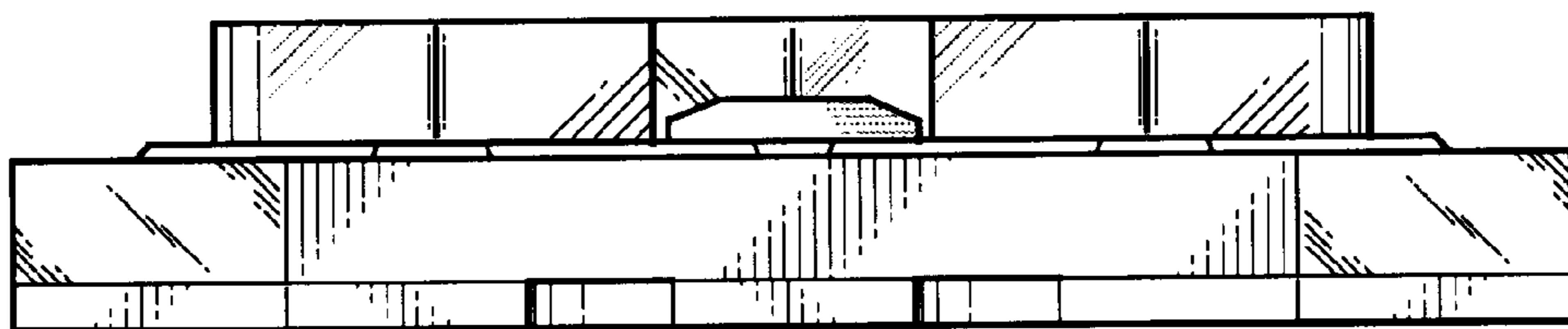
**FIG. 2**



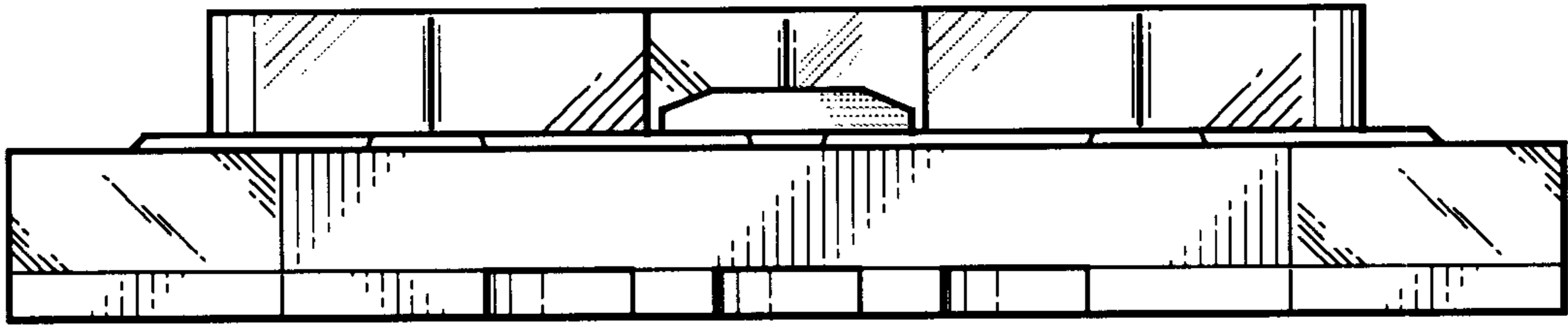
**FIG. 3**



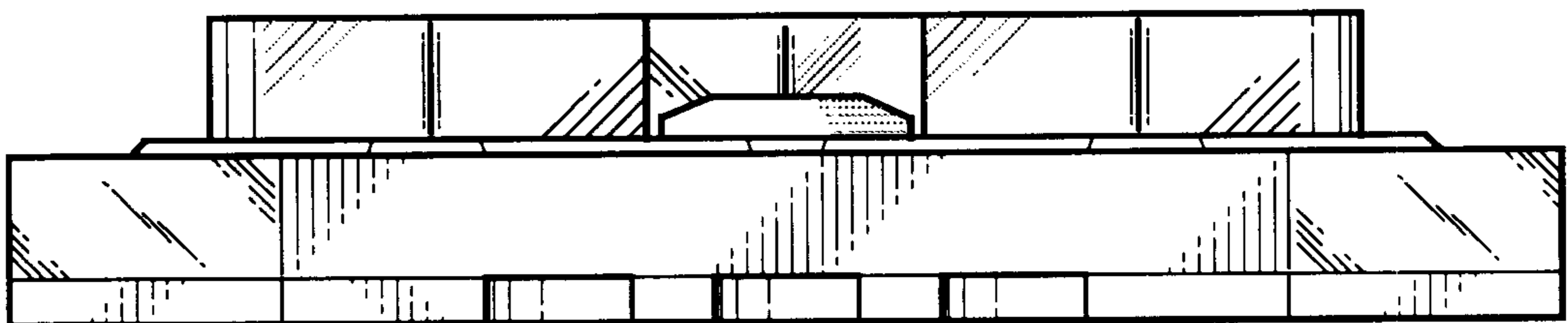
**FIG. 4**



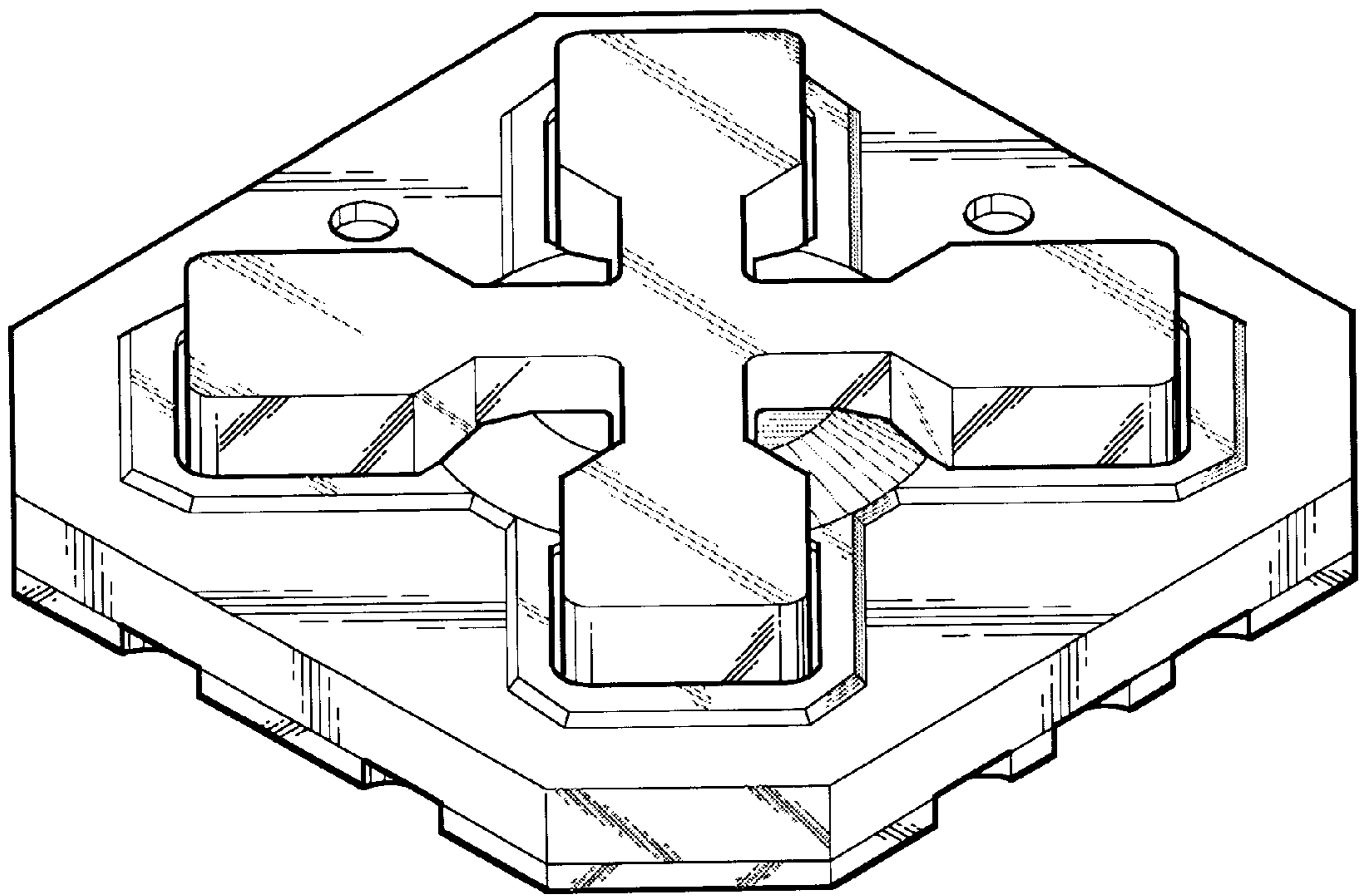
***FIG. 5***



***FIG. 6***



**FIG . 7**



**FIG . 8**

