



US00D430851S

United States Patent [19] Hwang

[11] **Patent Number: Des. 430,851**

[45] **Date of Patent: ** Sep. 12, 2000**

[54] **TELECOMMUNICATION CABLE REEL**

[76] **Inventor: Lih-Jiuan Hwang**, P.O. Box No. 6-57,
Chung-Ho City, Taipei Hsien 235,
Taiwan

[**] **Term: 14 Years**

[21] **Appl. No.: 29/114,544**

[22] **Filed: Nov. 29, 1999**

[51] **LOC (7) Cl. 13-03**

[52] **U.S. Cl. D13/154; D13/155; D8/356**

[58] **Field of Search D13/153, 154;
D8/356; 439/4, 501; 242/397; 191/12.4,
12.2 R; 379/438**

[56] **References Cited**

U.S. PATENT DOCUMENTS

D. 329,637 9/1992 Sutton D13/154

D. 363,461 10/1995 Duckman et al. D13/154
D. 414,468 9/1999 Hakoda D13/154
D. 419,527 1/2000 Hwang D13/154
5,230,481 7/1993 Wheeler et al. 242/379

Primary Examiner—Joel Sincavage

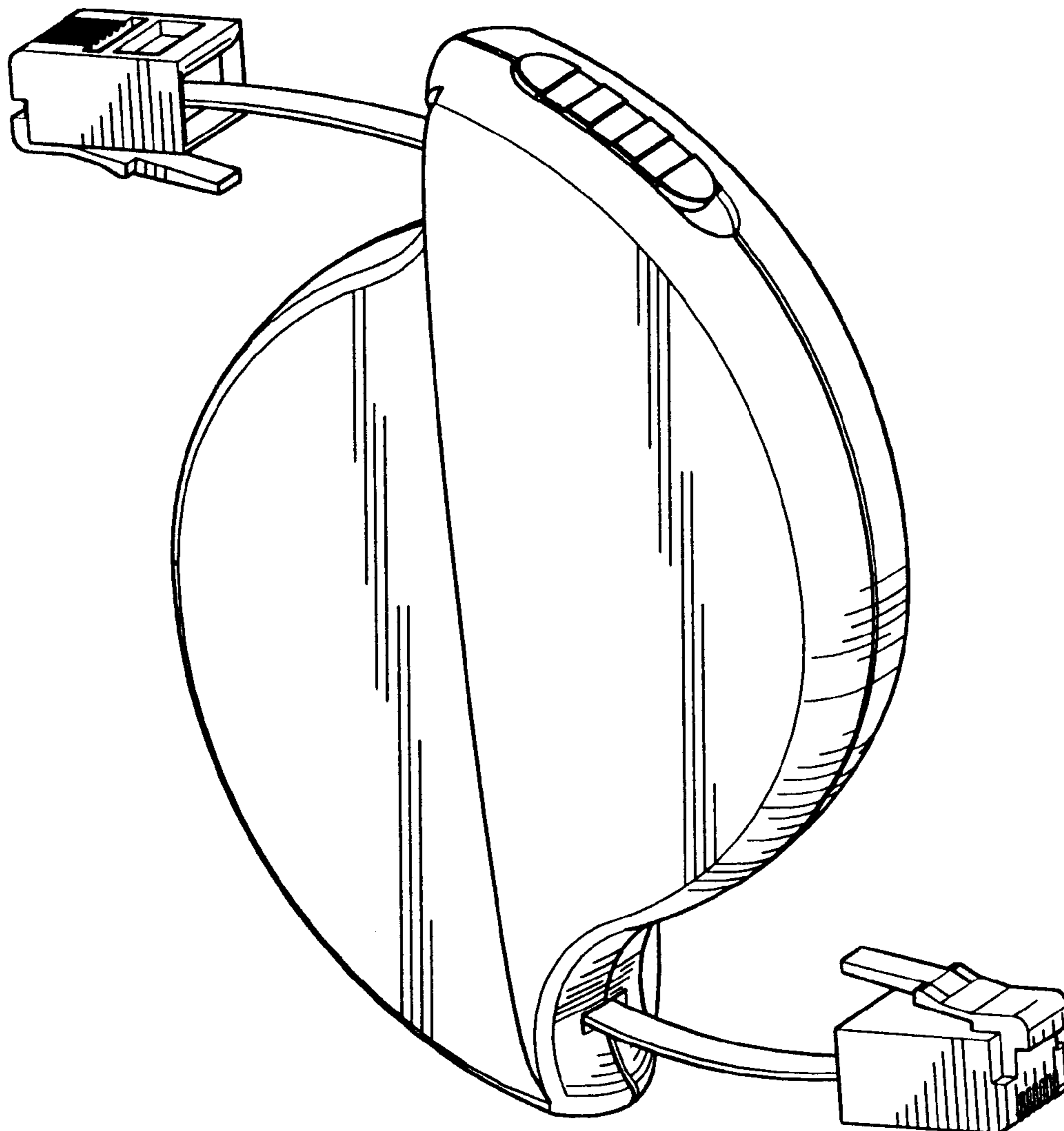
[57] **CLAIM**

The ornamental design for a telecommunication cable reel,
as shown and described.

DESCRIPTION

FIG. 1 is a perspective view thereof;
FIG. 2 is a front view thereof;
FIG. 3 is a back view thereof;
FIG. 4 is a right side view thereof;
FIG. 5 is a left side view thereof;
FIG. 6 is a top view thereof; and,
FIG. 7 is a bottom view thereof.

1 Claim, 4 Drawing Sheets



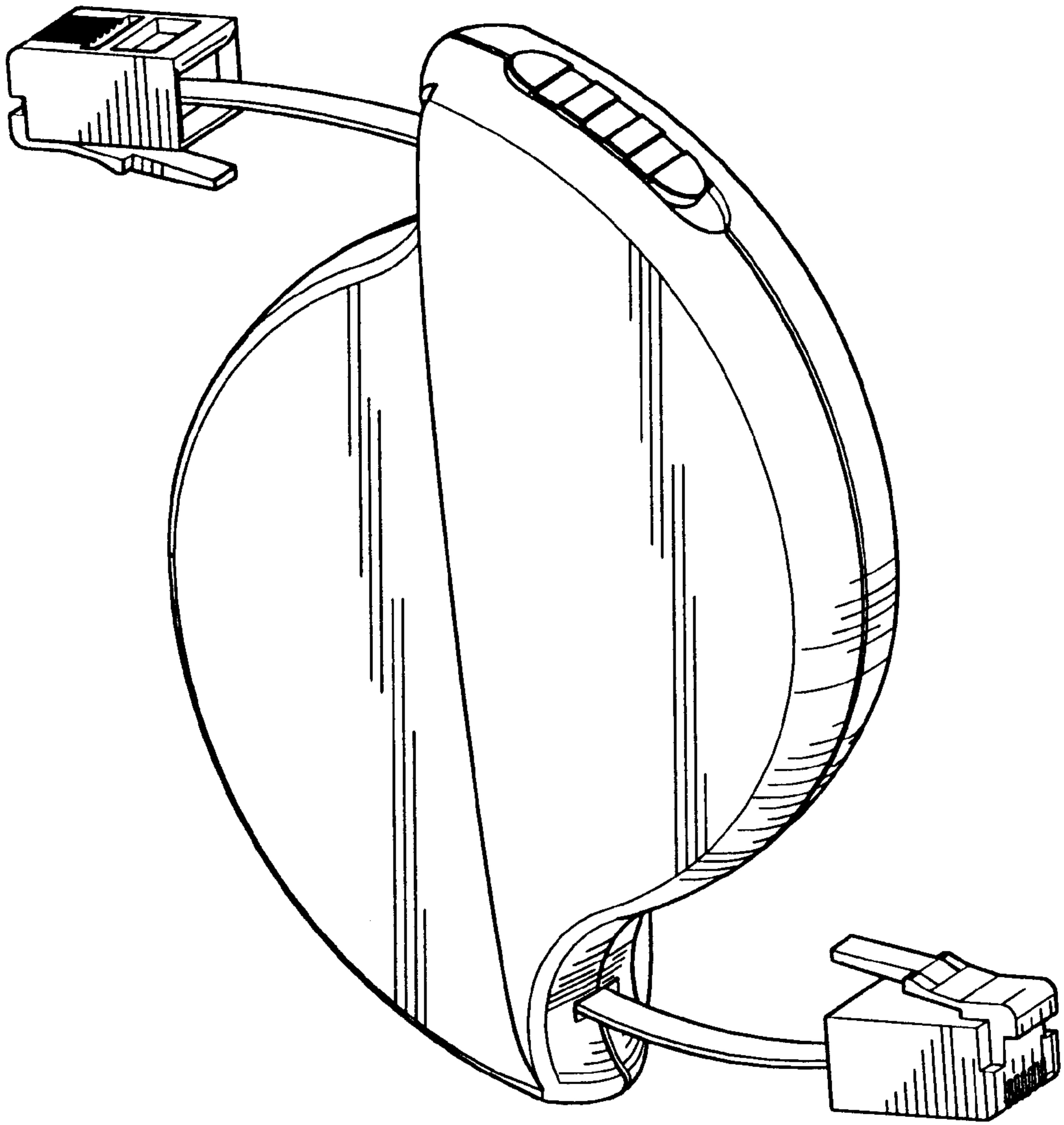


FIG. 1

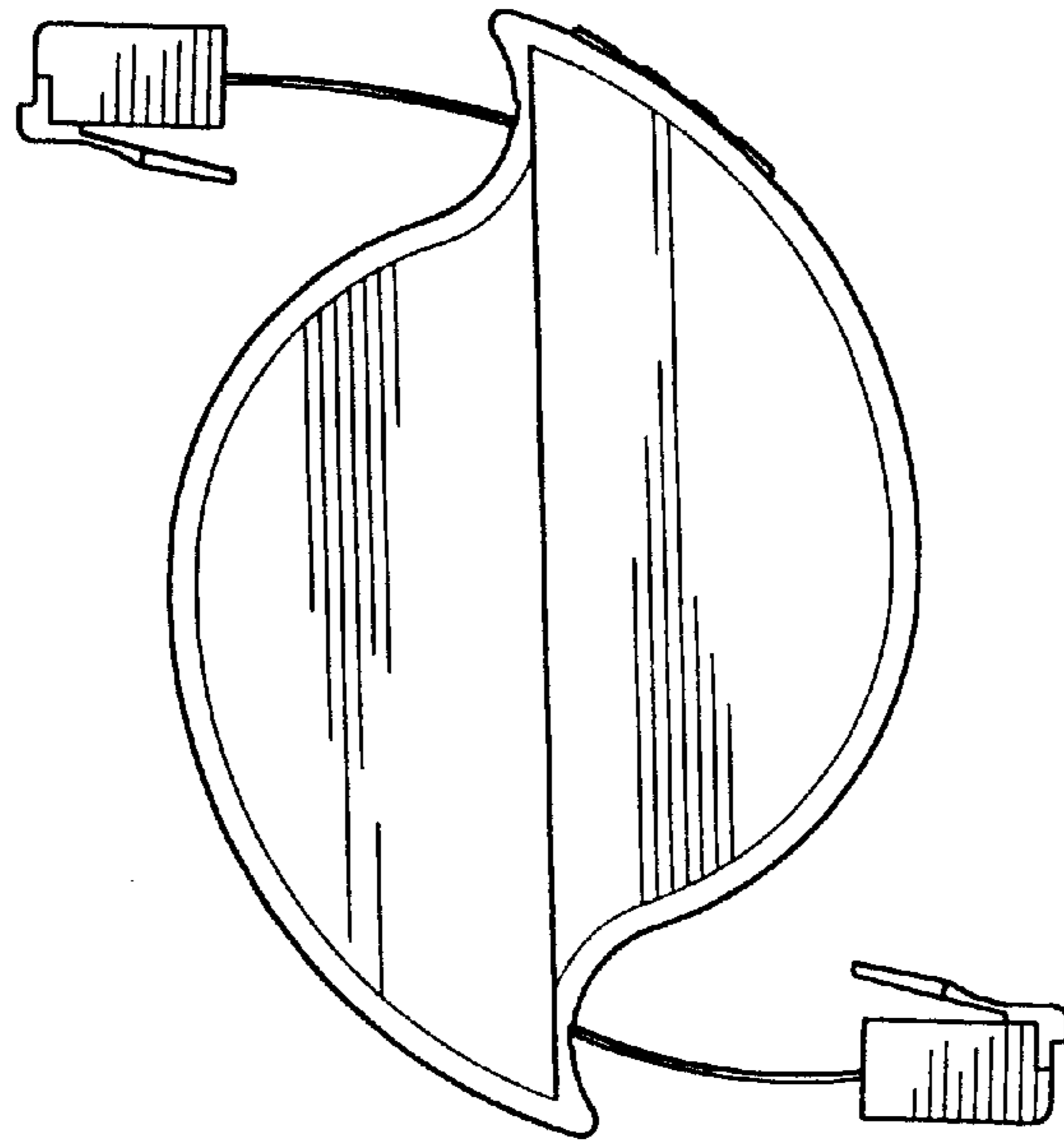


FIG. 2

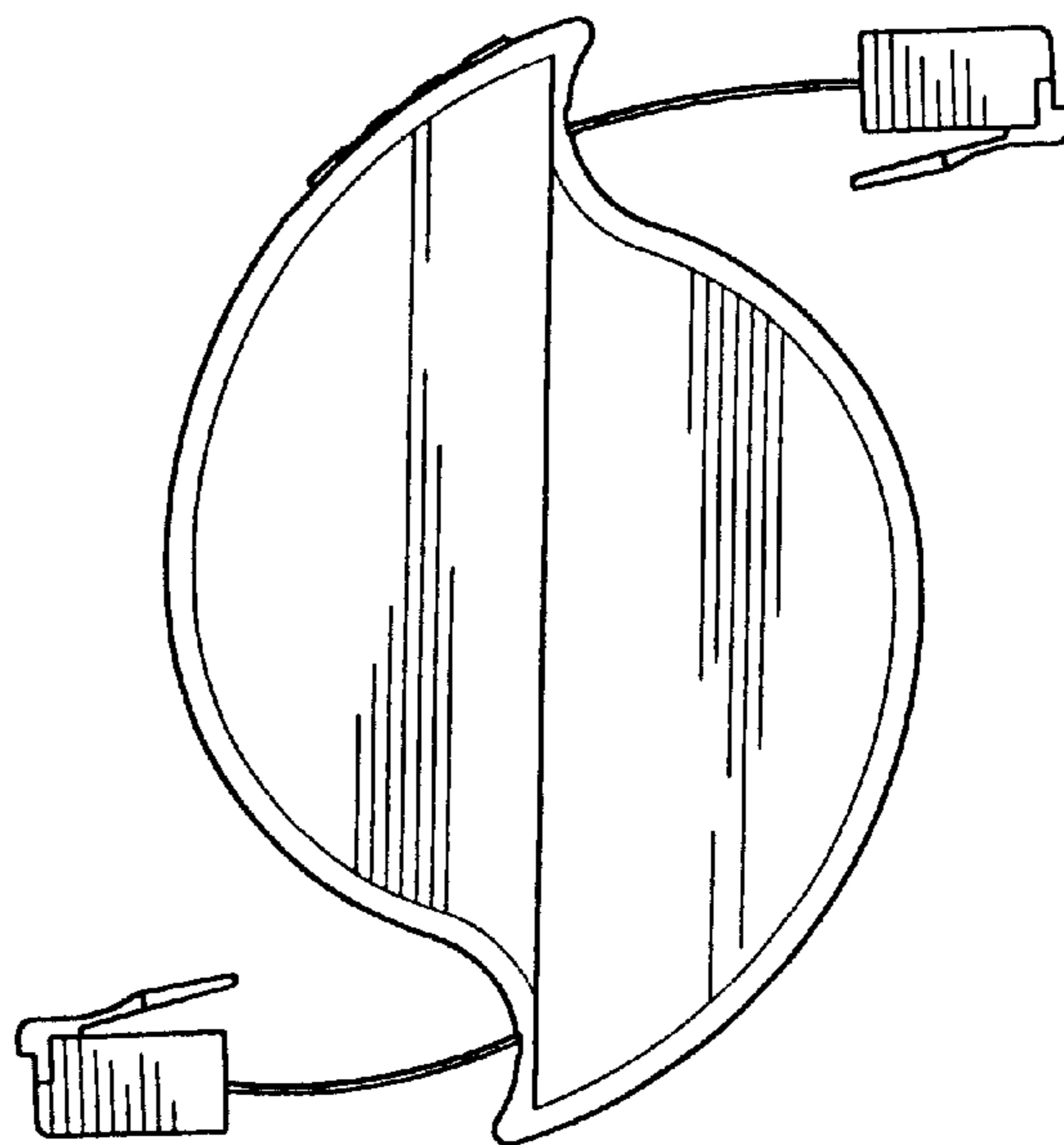


FIG. 3

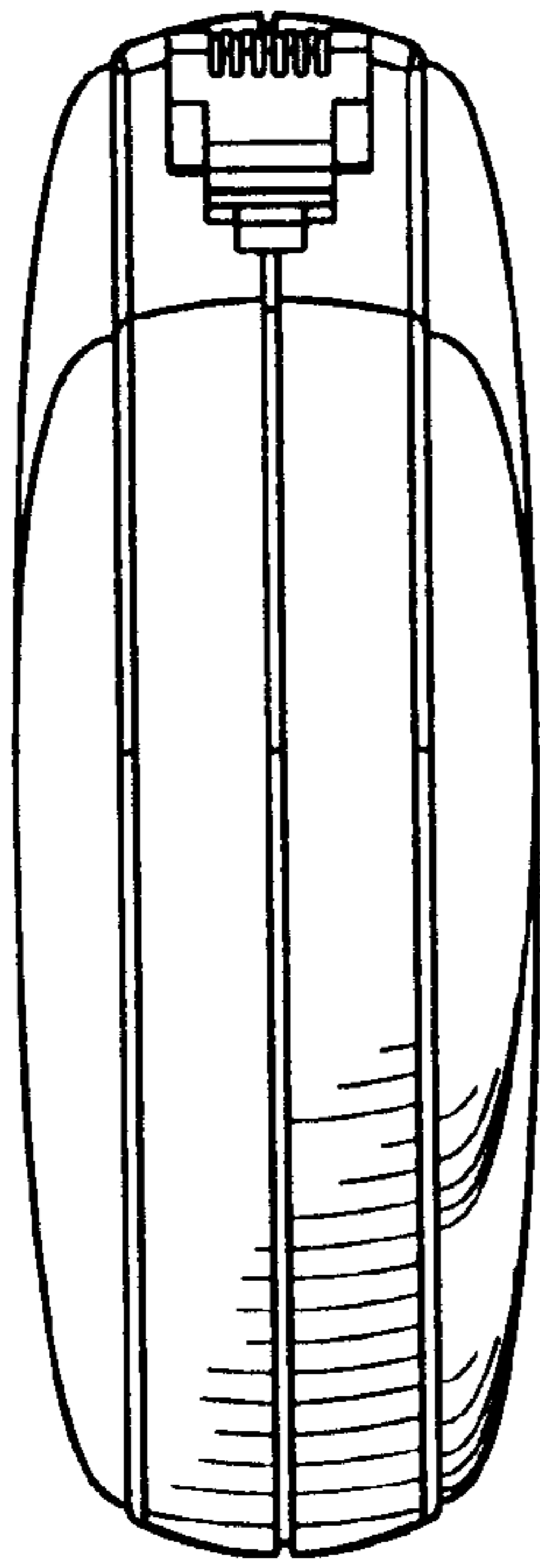


FIG. 4

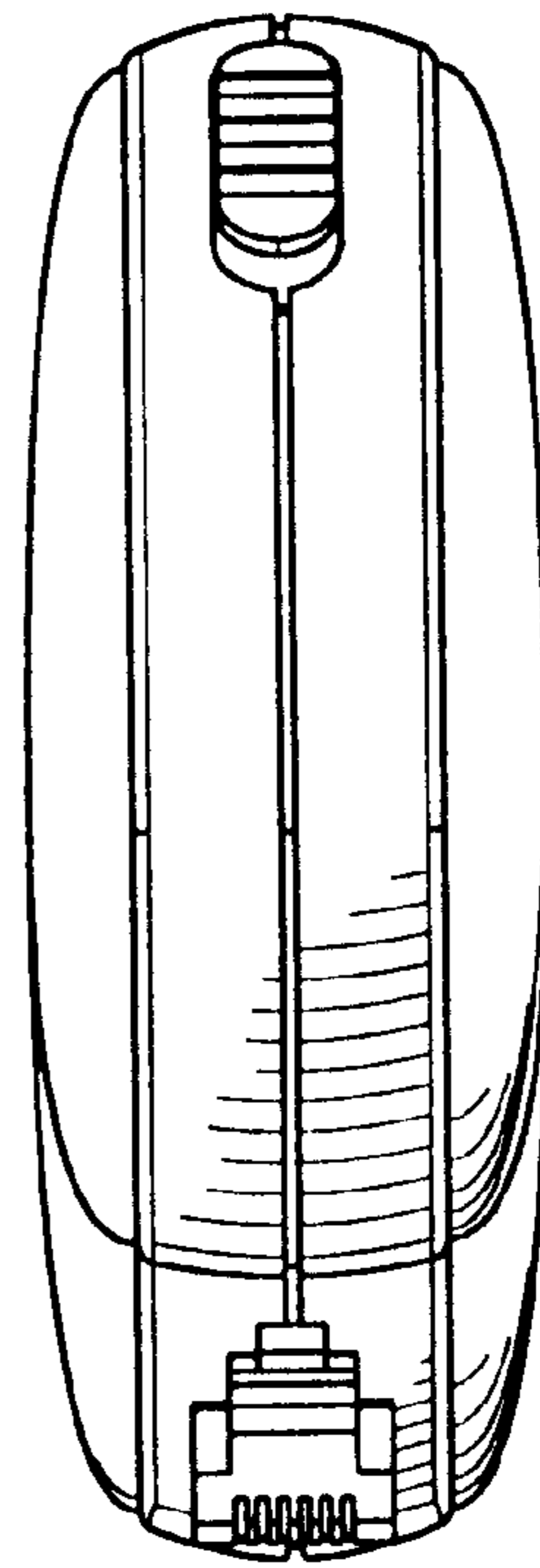


FIG. 5

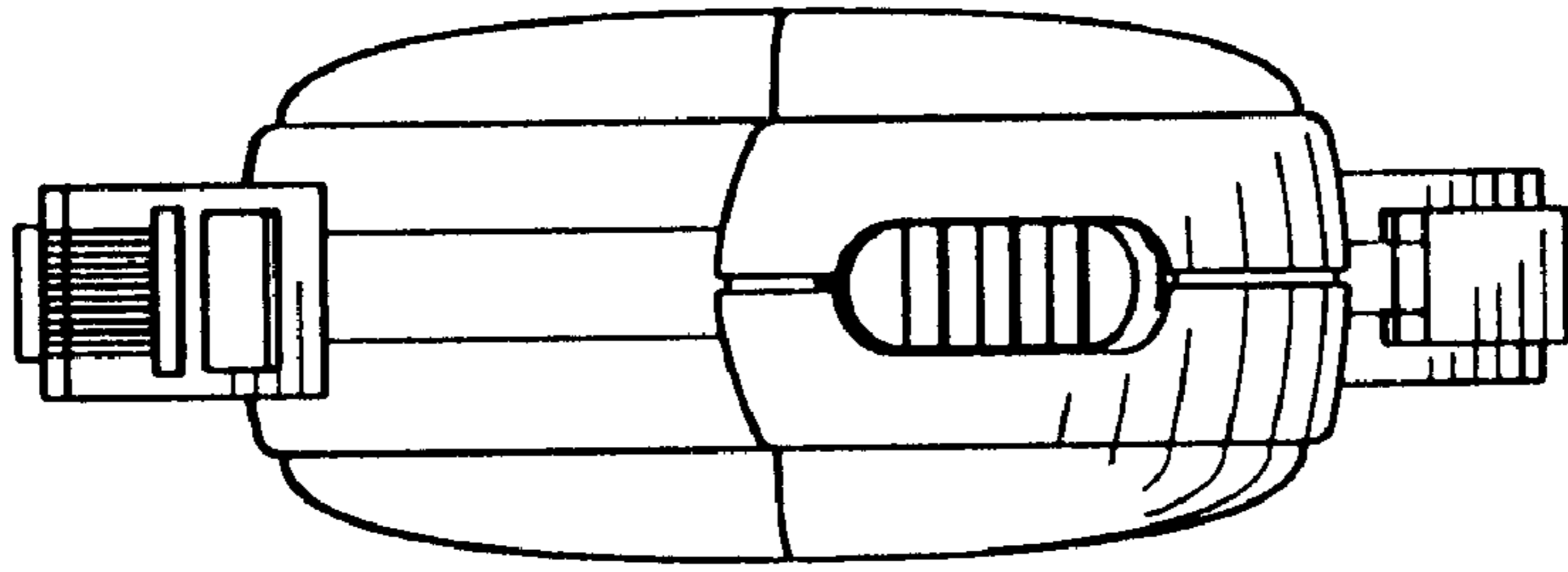


FIG. 6

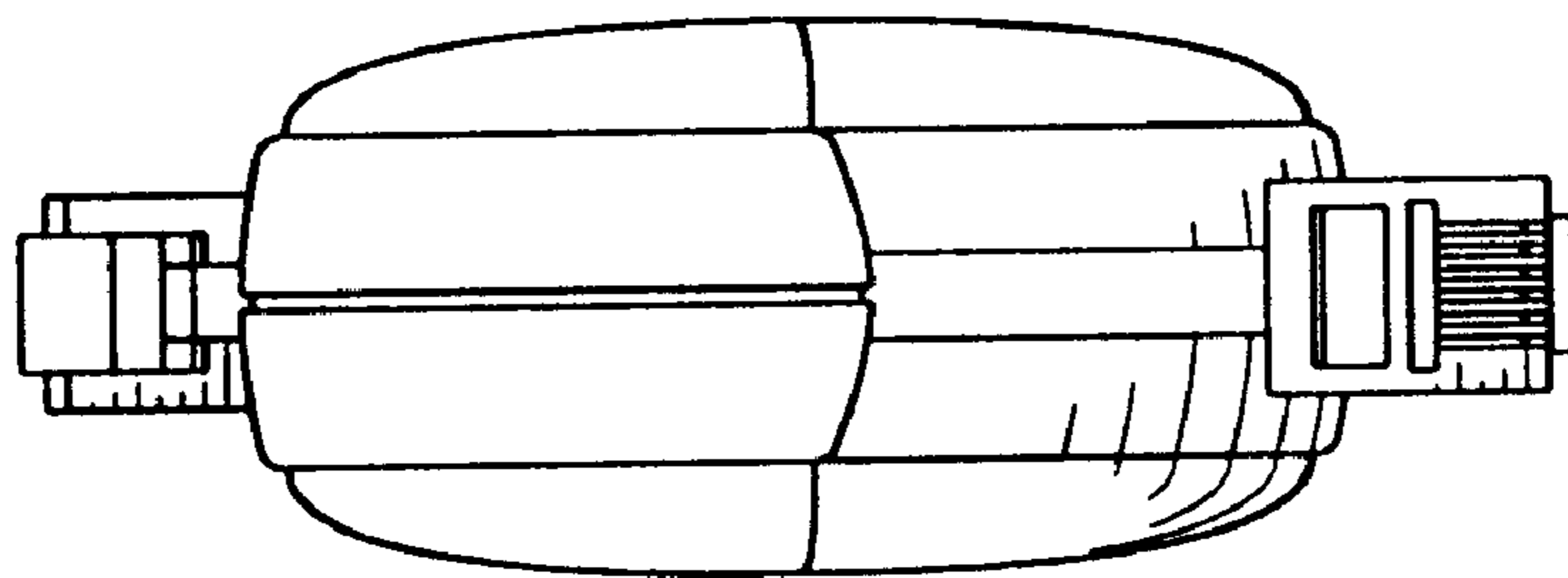


FIG. 7