



US00D430850S

United States Patent [19]

Alves et al.

[11] **Patent Number: Des. 430,850**

[45] **Date of Patent: ** Sep. 12, 2000**

[54] **POWER DISTRIBUTOR PACKAGE**

5,907,125 5/1999 Buekers et al. 174/52.1

[75] Inventors: **Roger J. Alves**, Simi Valley; **Lewis C. Iby**, Westlake Village; **Joseph K. Garretson**, Simi Valley, all of Calif.

Primary Examiner—Joel Sincavage
Attorney, Agent, or Firm—William W. Haefliger

[73] Assignee: **Scosche Industries, Inc.**, Oxnard, Calif.

[57] **CLAIM**

[**] Term: **14 Years**

We claim the ornamental design for a power distributor package, substantially as shown and described.

[21] Appl. No.: **29/116,467**

DESCRIPTION

[22] Filed: **Jan. 3, 2000**

[51] **LOC (7) Cl.** **13-03**

[52] **U.S. Cl.** **D13/152; D13/123**

[58] **Field of Search** D13/152, 123,
D13/184; 439/638; 174/52.1, 65 R

FIG. 1 is a perspective view showing the front and right side design of the power distributor package;
FIG. 2 is a top plan view of the FIG. 1 power distributor package;
FIG. 3 is a left side view of the FIG. 1 power distributor package;
FIG. 4 is a front view of the FIG. 1 power distributor package;
FIG. 5 is a rear view of the FIG. 1 power distributor package;
and,
FIG. 6 is a bottom plan view of the FIG. 1 power distributor package.

[56] **References Cited**

U.S. PATENT DOCUMENTS

- D. 332,088 12/1992 Nimpoeno et al. D13/184
- D. 352,941 11/1994 Bolton, Jr. D14/142
- D. 357,899 5/1995 Hopkins et al. D13/152

1 Claim, 2 Drawing Sheets

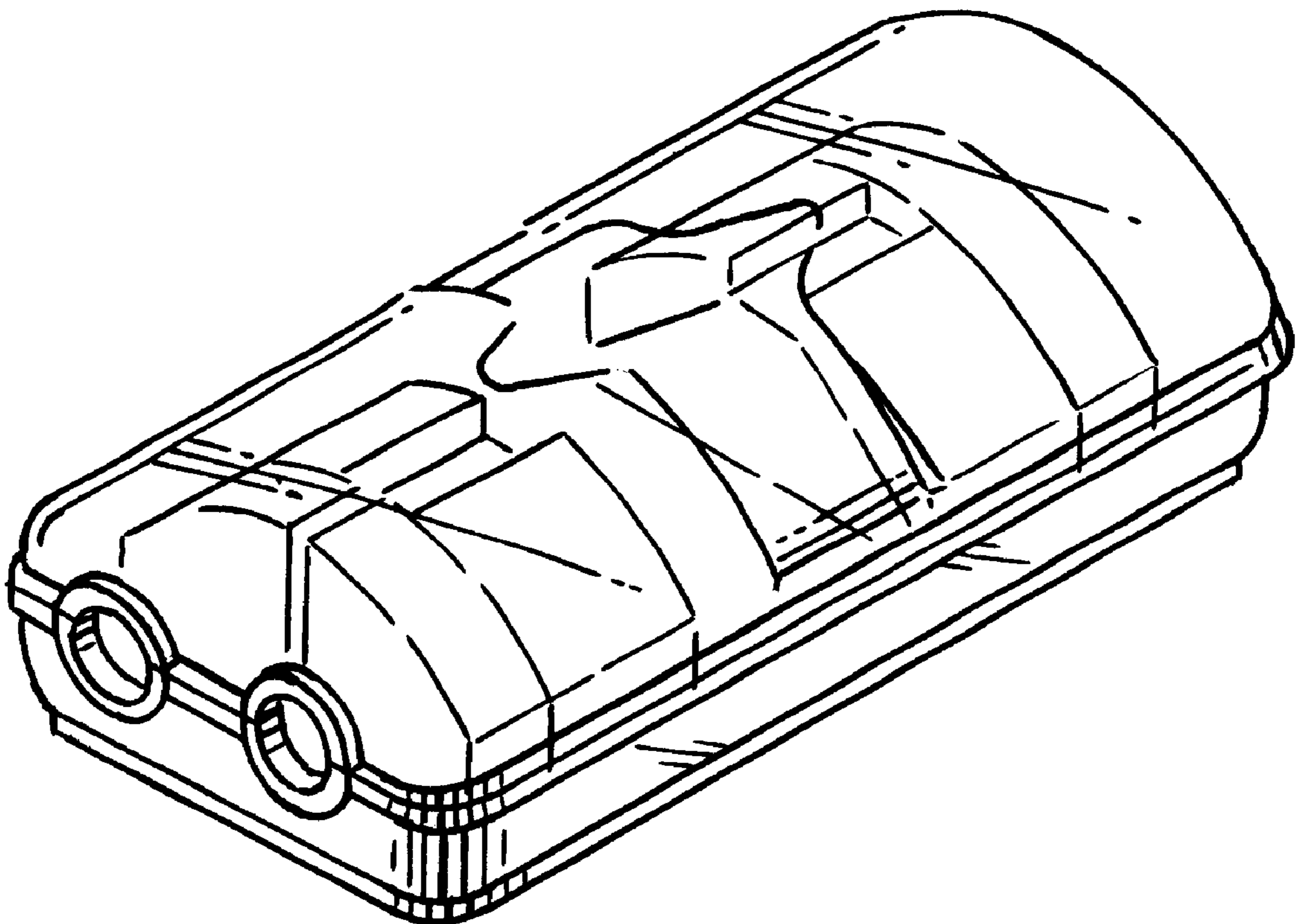


FIG. 1.

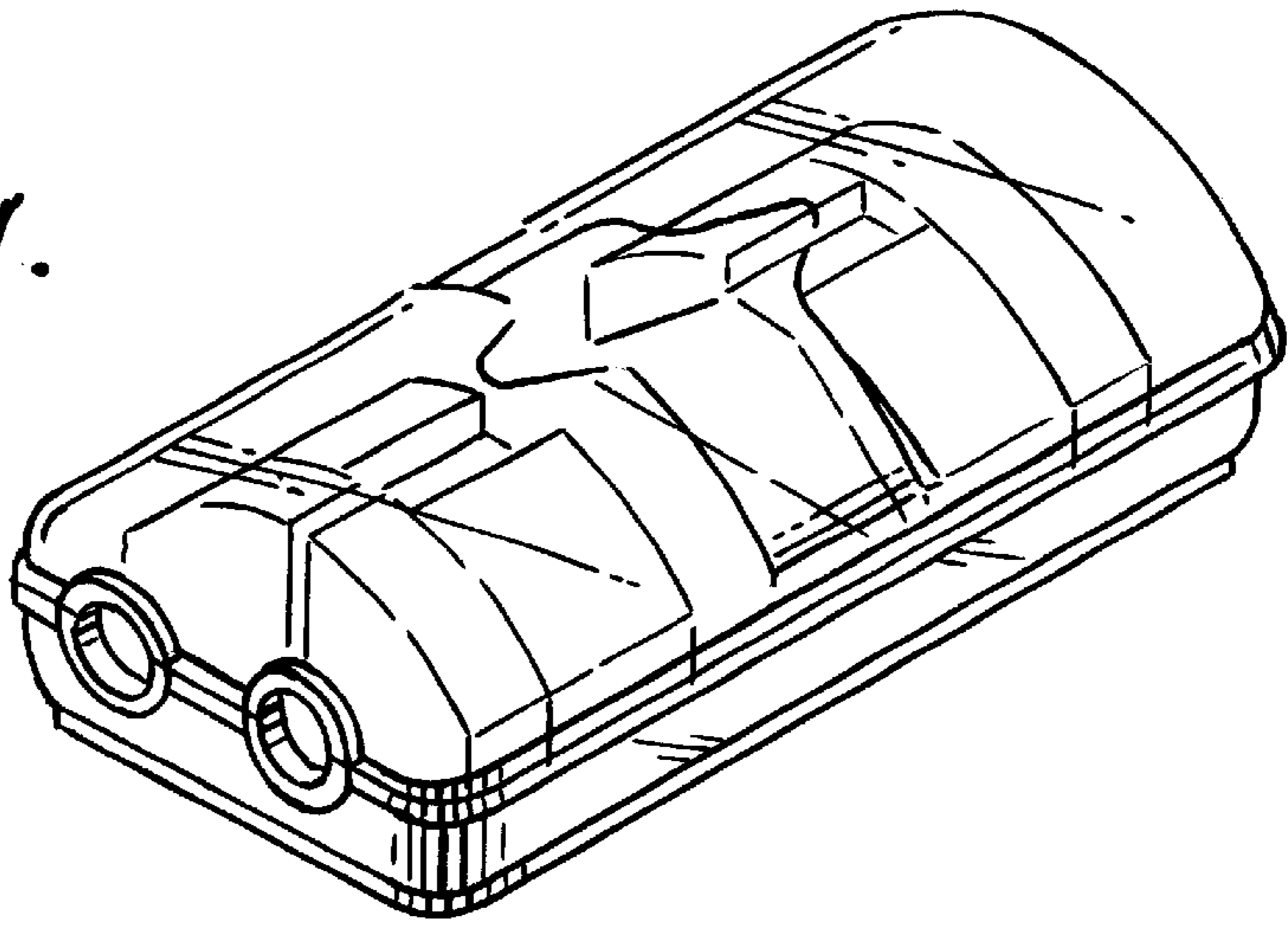


FIG. 2.

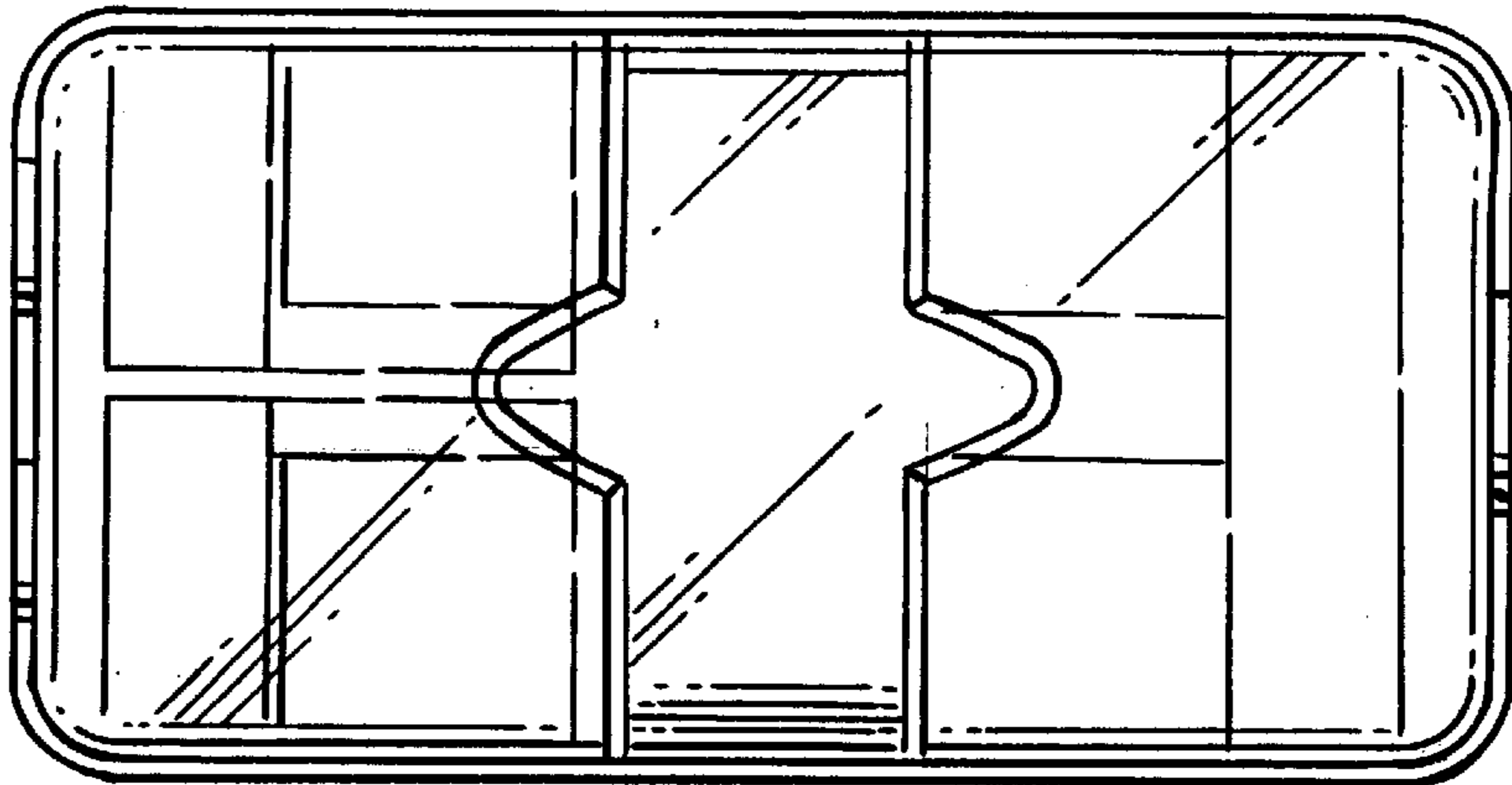


FIG. 3.

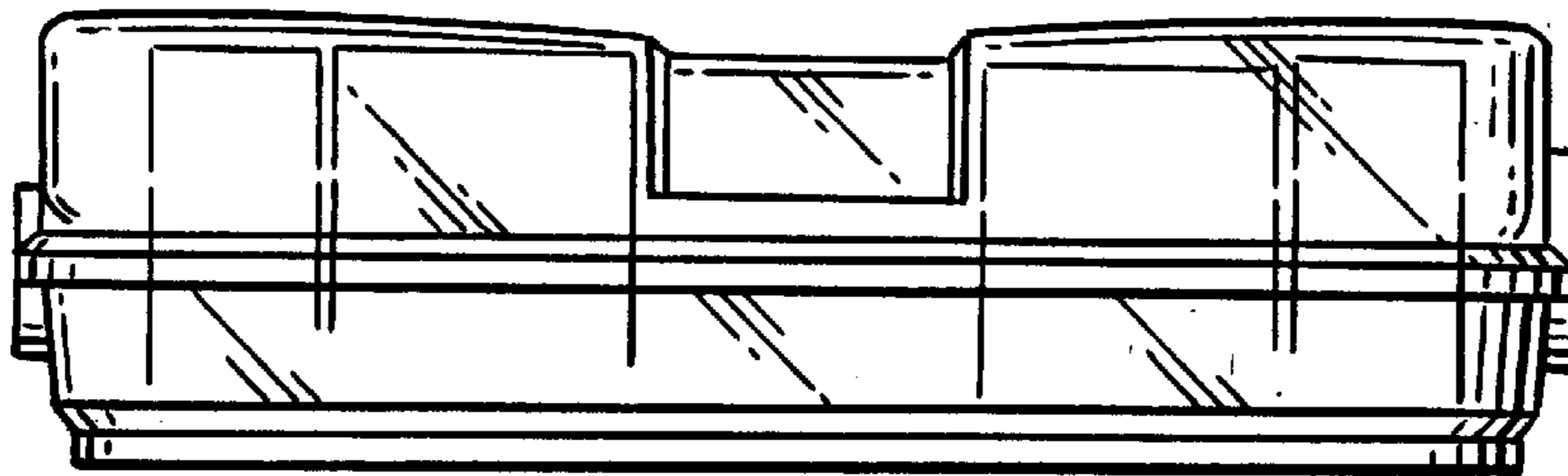


FIG. 4.

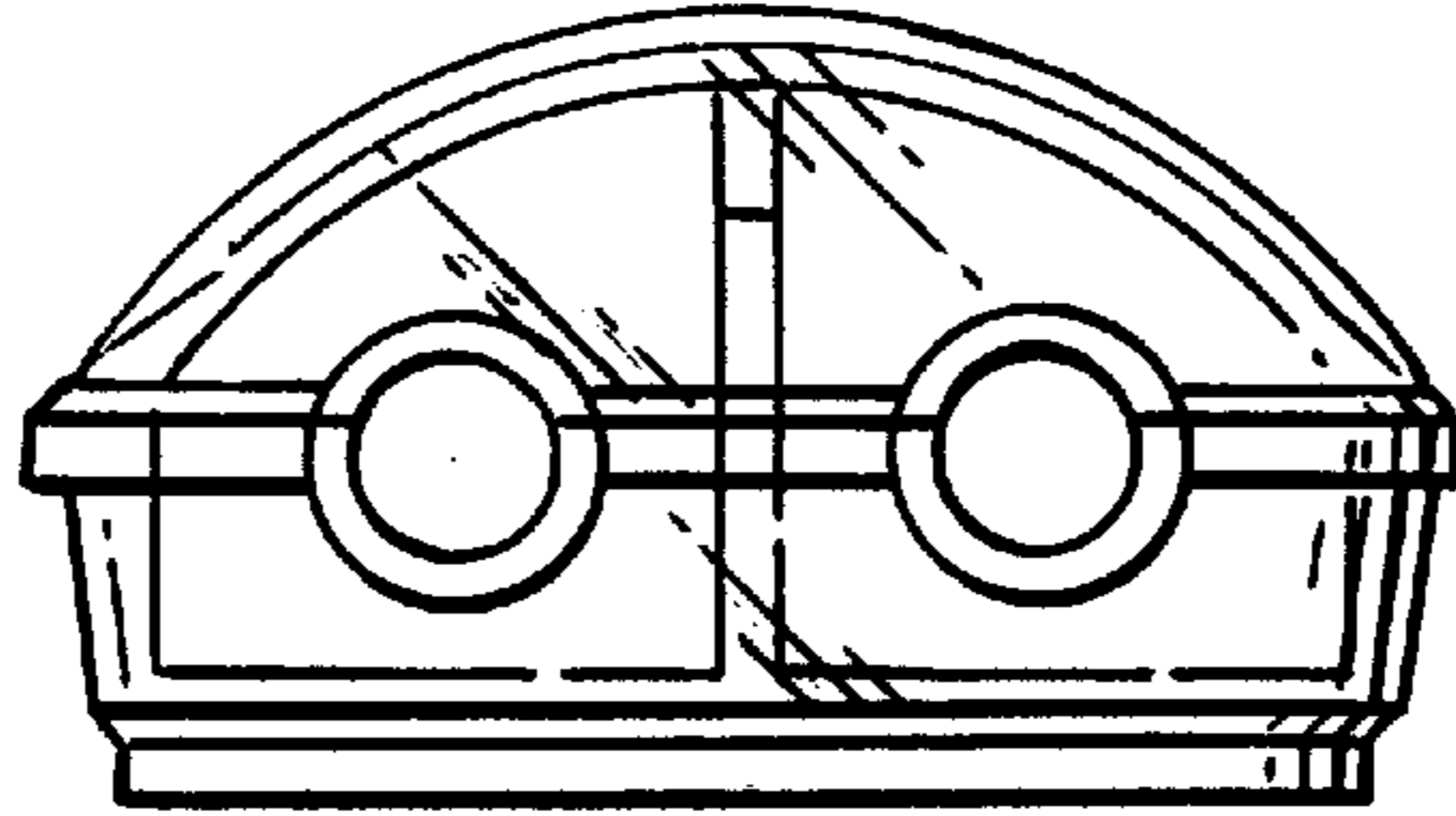


FIG. 5.

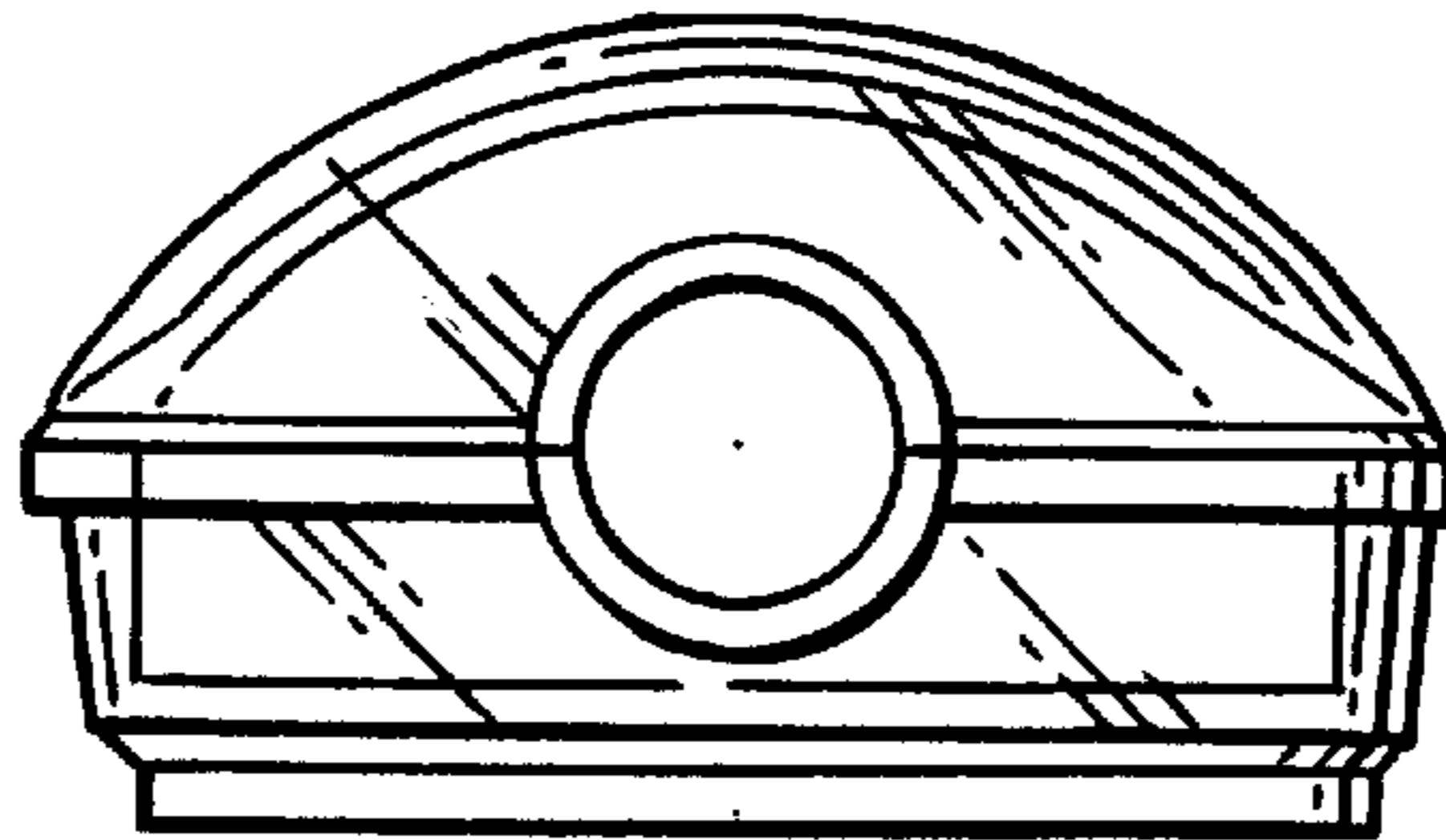


FIG. 6.

