



US00D430848S

United States Patent [19]

Davi et al.

[11] Patent Number: Des. 430,848

[45] Date of Patent: ** Sep. 12, 2000

[54] AC ADAPTER PLUG

[75] Inventors: Leonard Davi, Longwood; Eddie Oliver, Deltona, both of Fla.

[73] Assignee: Recoton Corporation, Lake Mary, Fla.

[**] Term: 14 Years

[21] Appl. No.: 29/112,646

[22] Filed: Oct. 21, 1999

[51] LOC (7) Cl. 13-03

[52] U.S. Cl. D13/138.1

[58] Field of Search D13/138.1, 138.2; 439/410, 696, 105, 106, 650-654, 622

[56] References Cited

U.S. PATENT DOCUMENTS

D. 398,581	9/1998	Chang	D13/138.1
D. 401,556	11/1998	Stekelenburg	D13/138.2
5,810,622	9/1998	Chang	439/622

OTHER PUBLICATIONS

AC-E30M, Sony Catalog, Mar. 1998, p. 144.

Primary Examiner—Susan J. Lucas

Assistant Examiner—Jennifer Rivard

Attorney, Agent, or Firm—Levisohn, Lerner, Berger & Langsam

[57] CLAIM

The ornamental design for an AC adapter plug, as shown and described.

DESCRIPTION

FIG. 1 is a perspective view of a first embodiment of this invention;

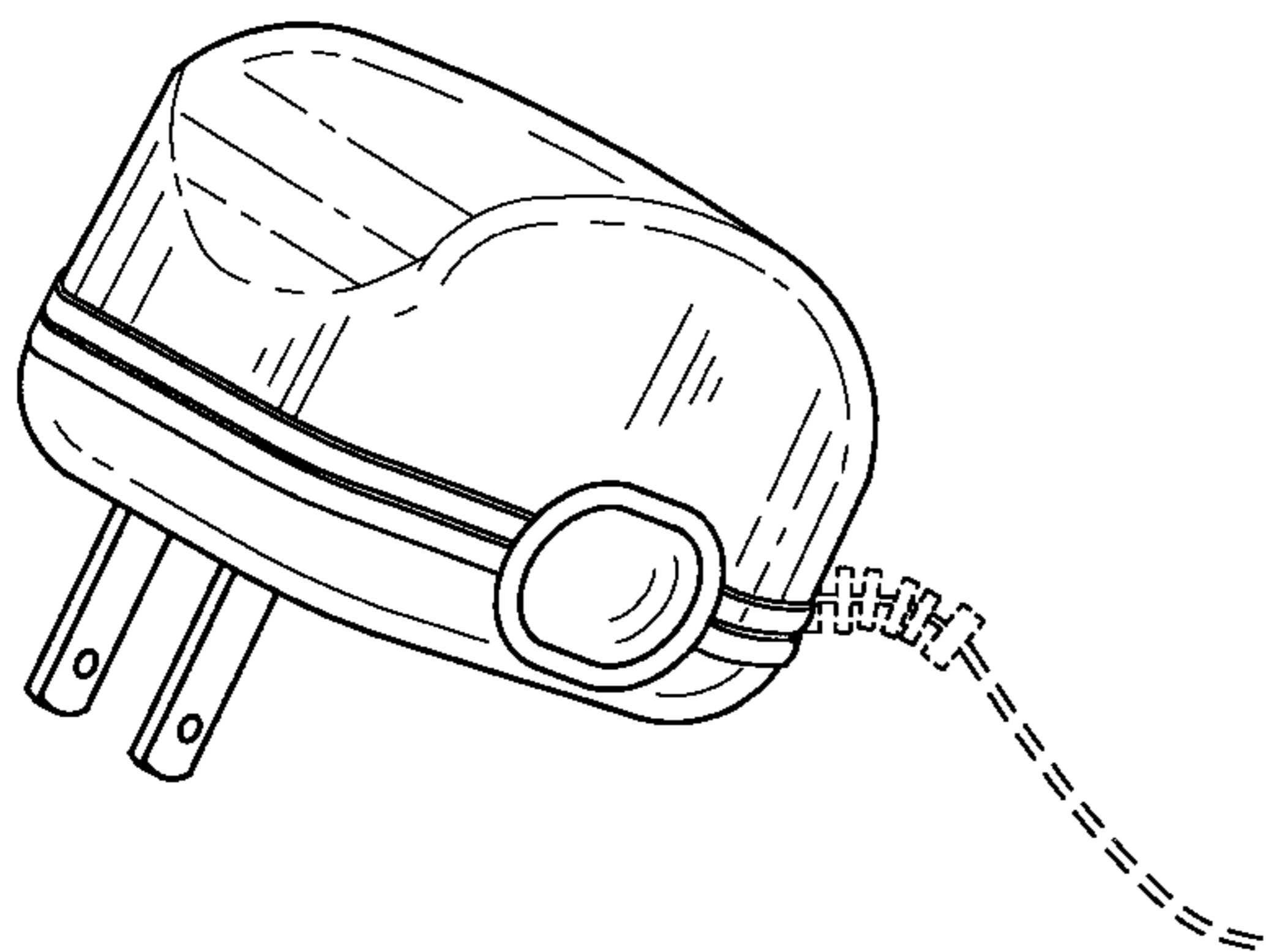


FIG. 2 is a top plan view of the first embodiment of this invention illustrated in FIG. 1;

FIG. 3 is a bottom plan view of the first embodiment of this invention illustrated in FIG. 1;

FIG. 4 is a right side plan view of the first embodiment of this invention of FIG. 1; and the left side plan view is a mirror image thereof and is not presented herein;

FIG. 5 is a front plan view of the first embodiment of this invention of FIG. 1; and

FIG. 6 is a rear plan view of the first embodiment of this invention;

FIG. 7 is a perspective view of a second embodiment of this invention;

FIG. 8 is a bottom plan view of the second embodiment of this invention;

FIG. 9 is a top plan view of the second embodiment of this invention;

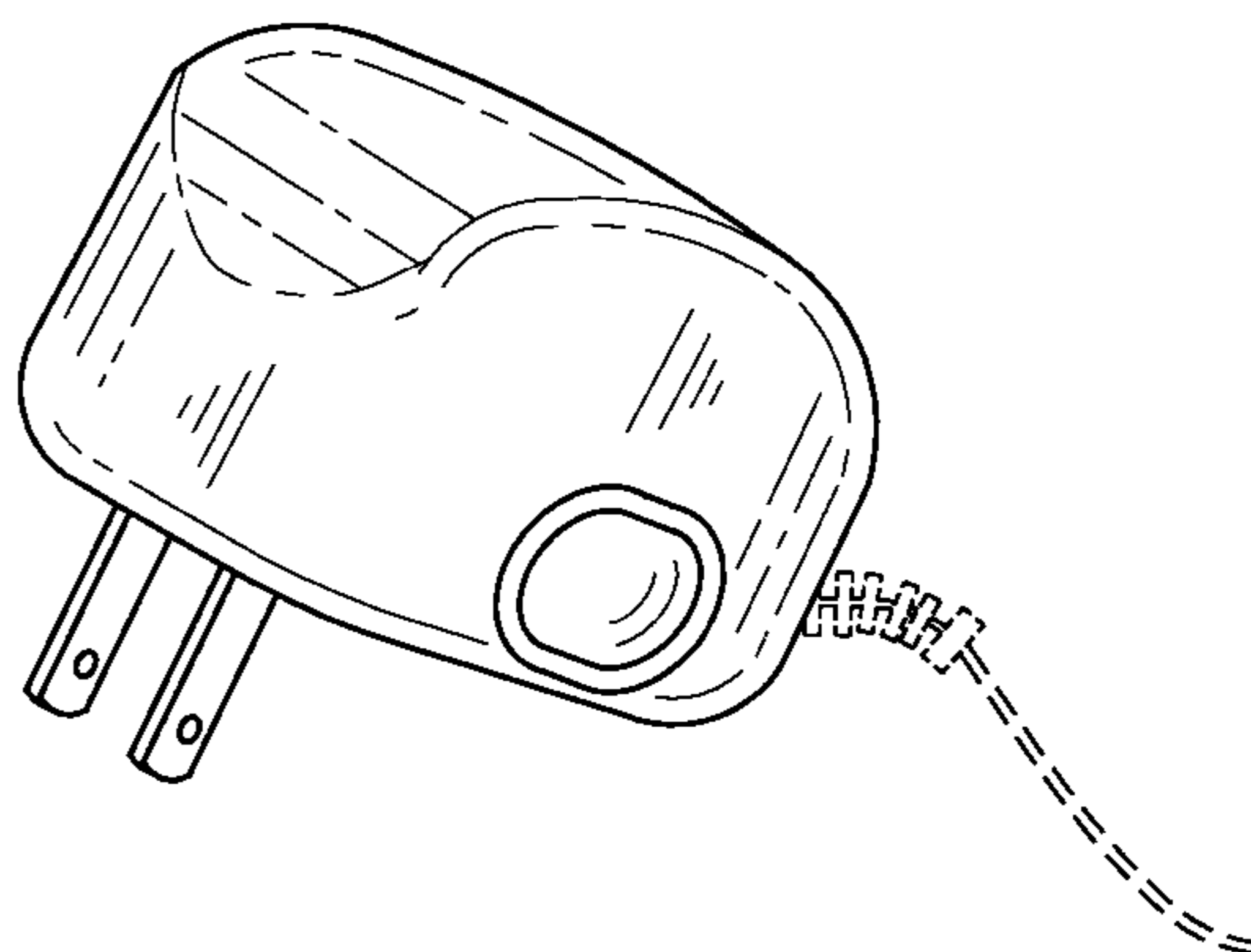
FIG. 10 is a right side plan view of the second embodiment of this invention, and the left side plan view is a mirror image thereof and is not presented herein;

FIG. 11 is a front plan view of the second embodiment of this invention; and,

FIG. 12 is a rear plan view of a second embodiment of this invention;

The broken lines are shown for illustrative purposes only and form no part of the claimed design.

1 Claim, 6 Drawing Sheets



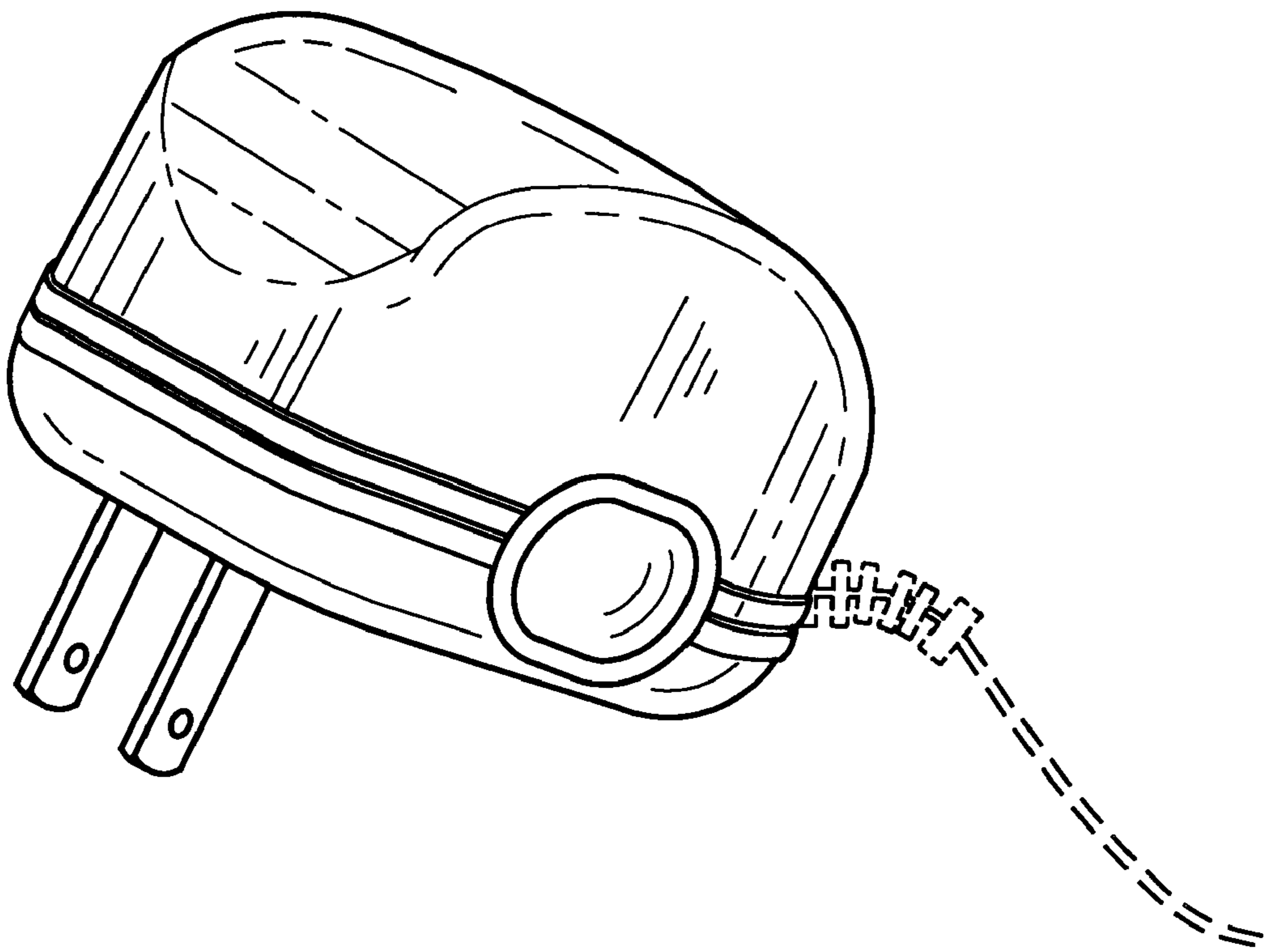


FIG. 1

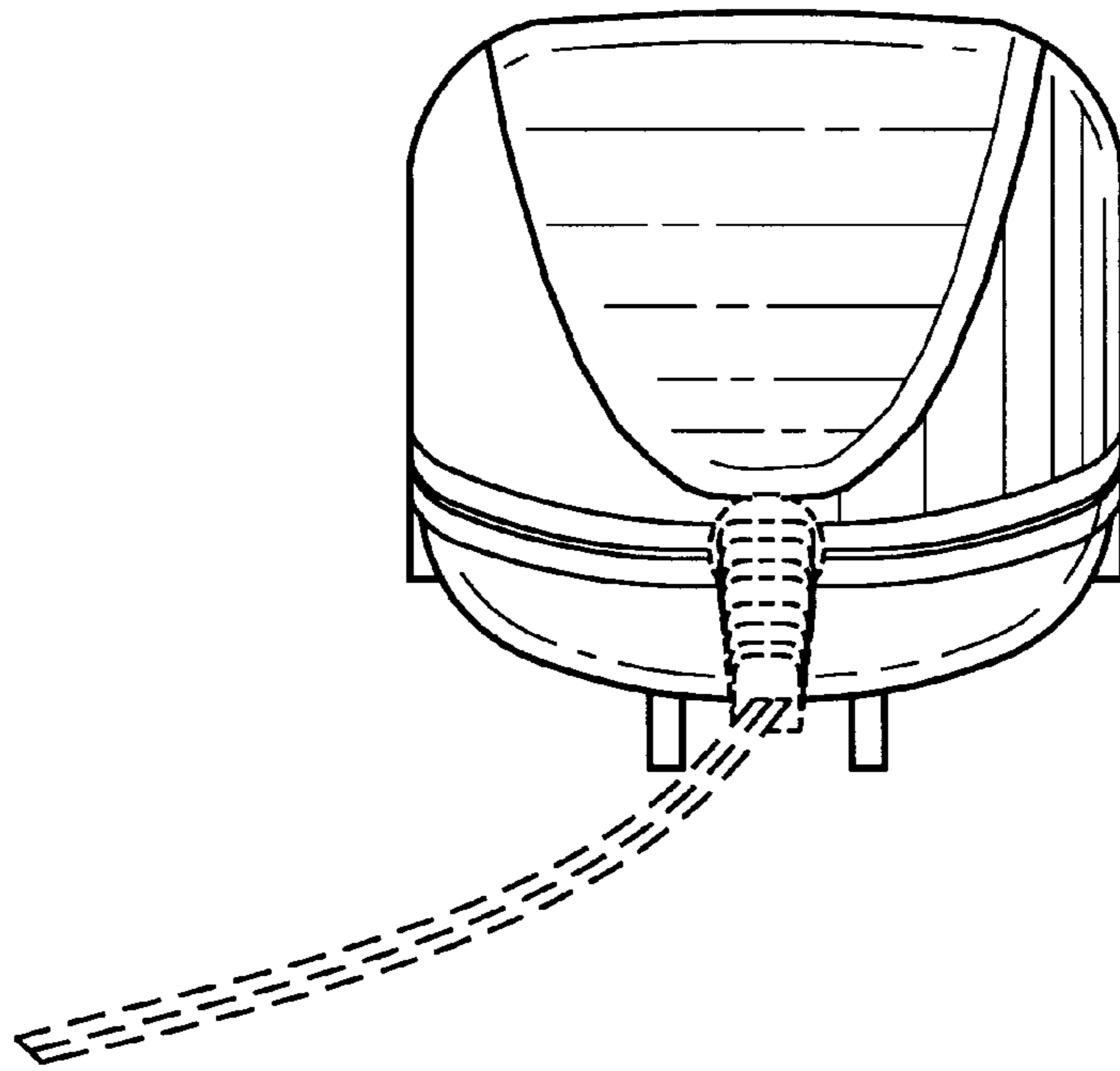


FIG. 3

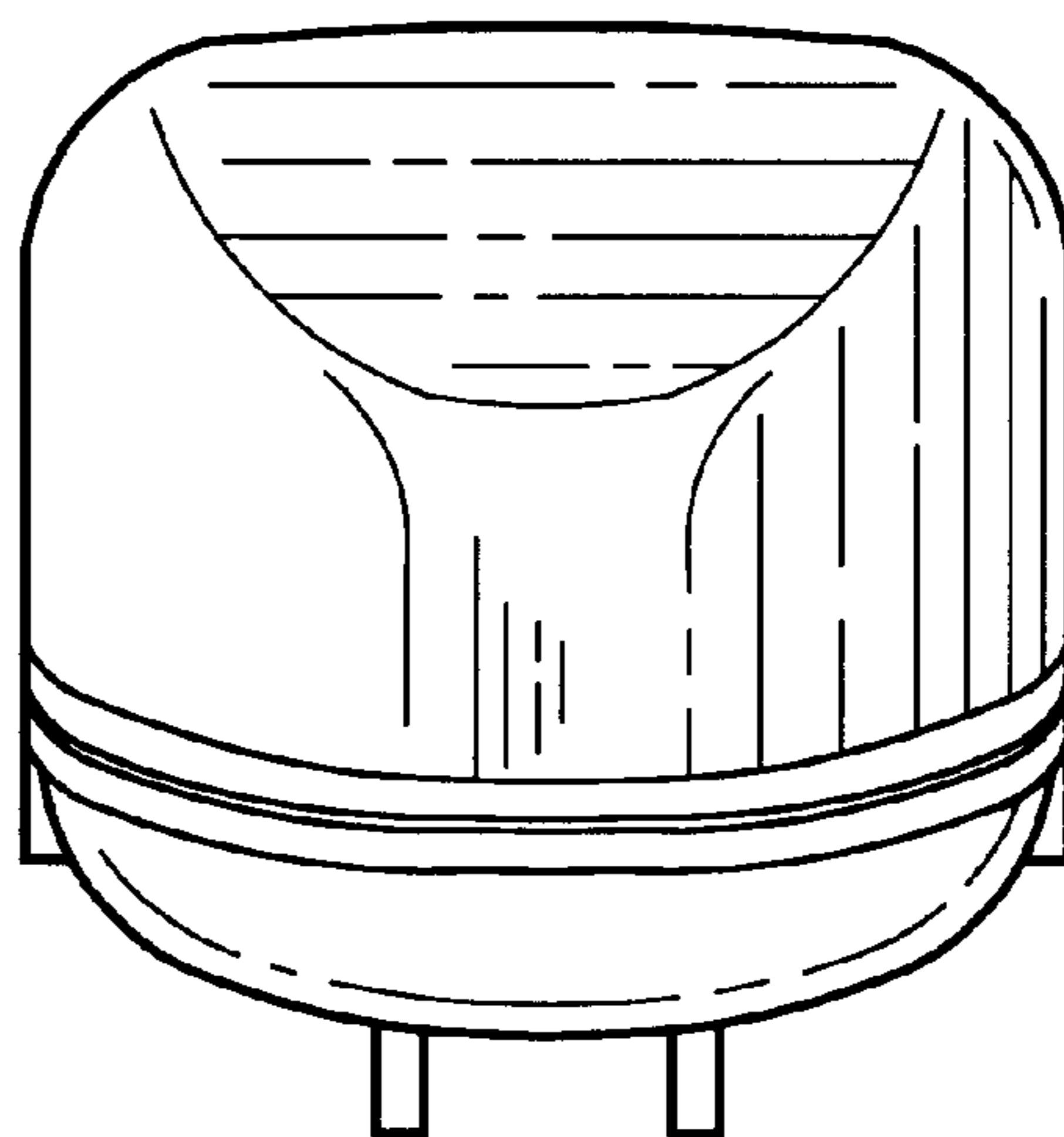


FIG. 2

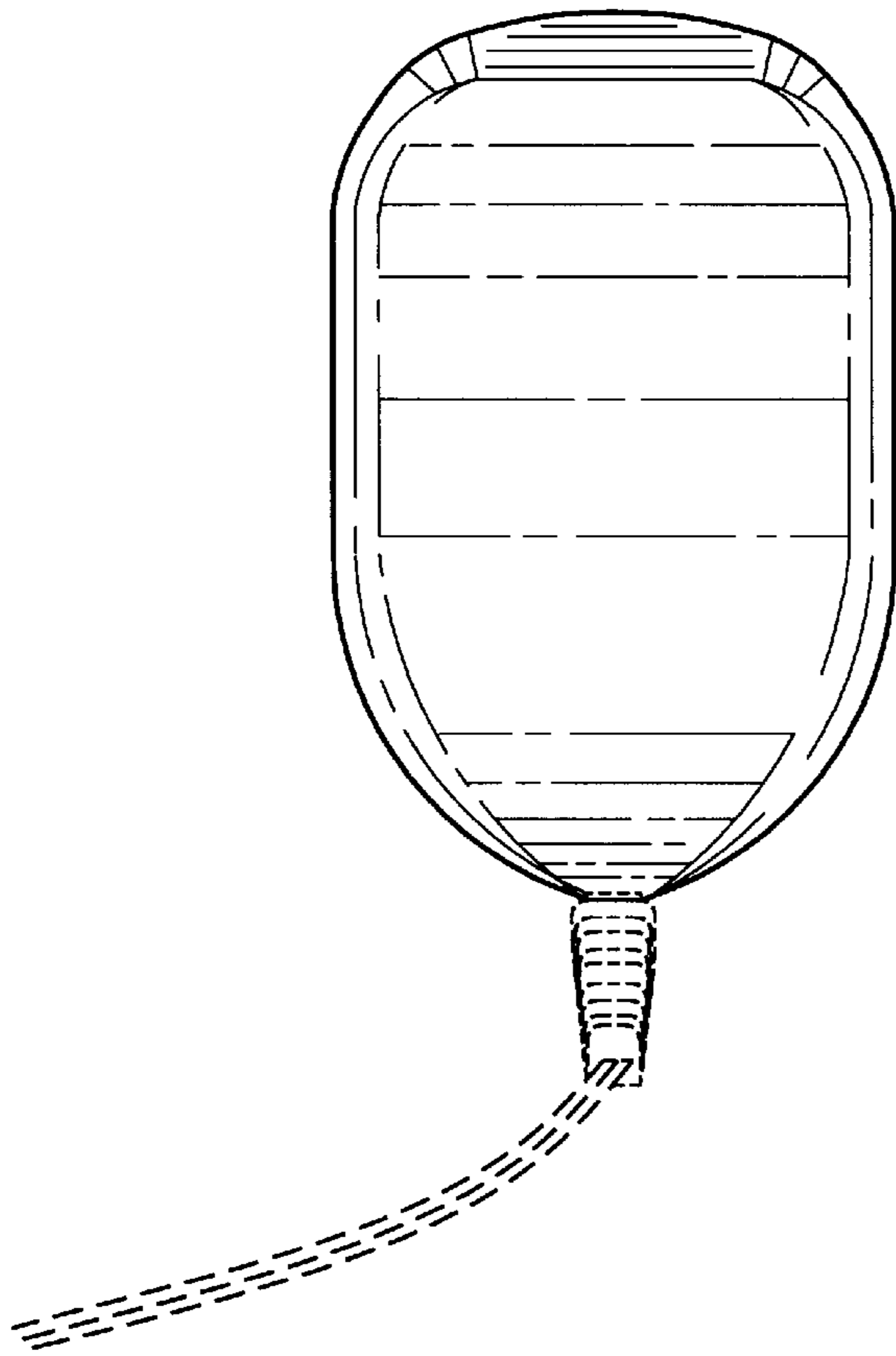


FIG. 5

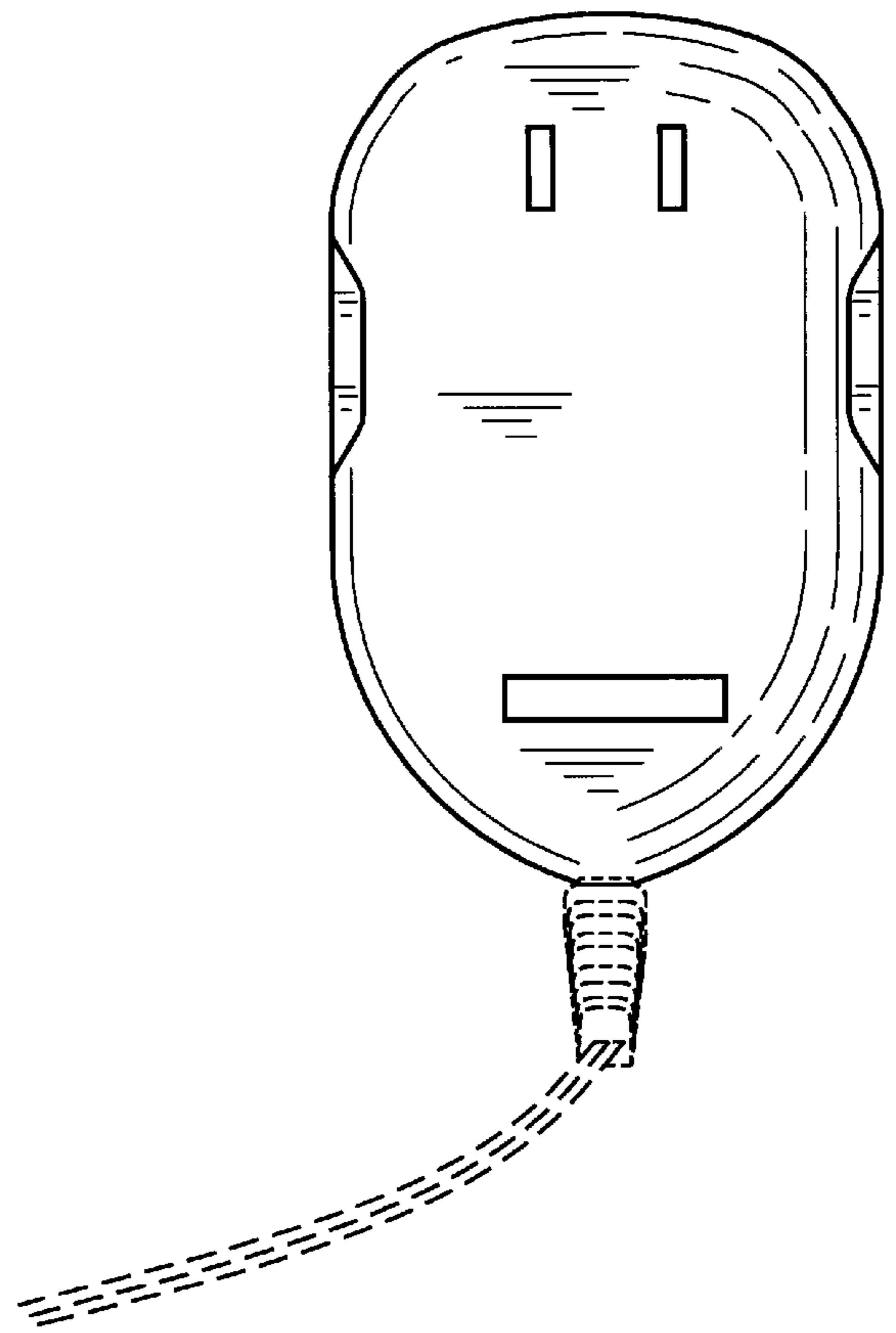


FIG. 6

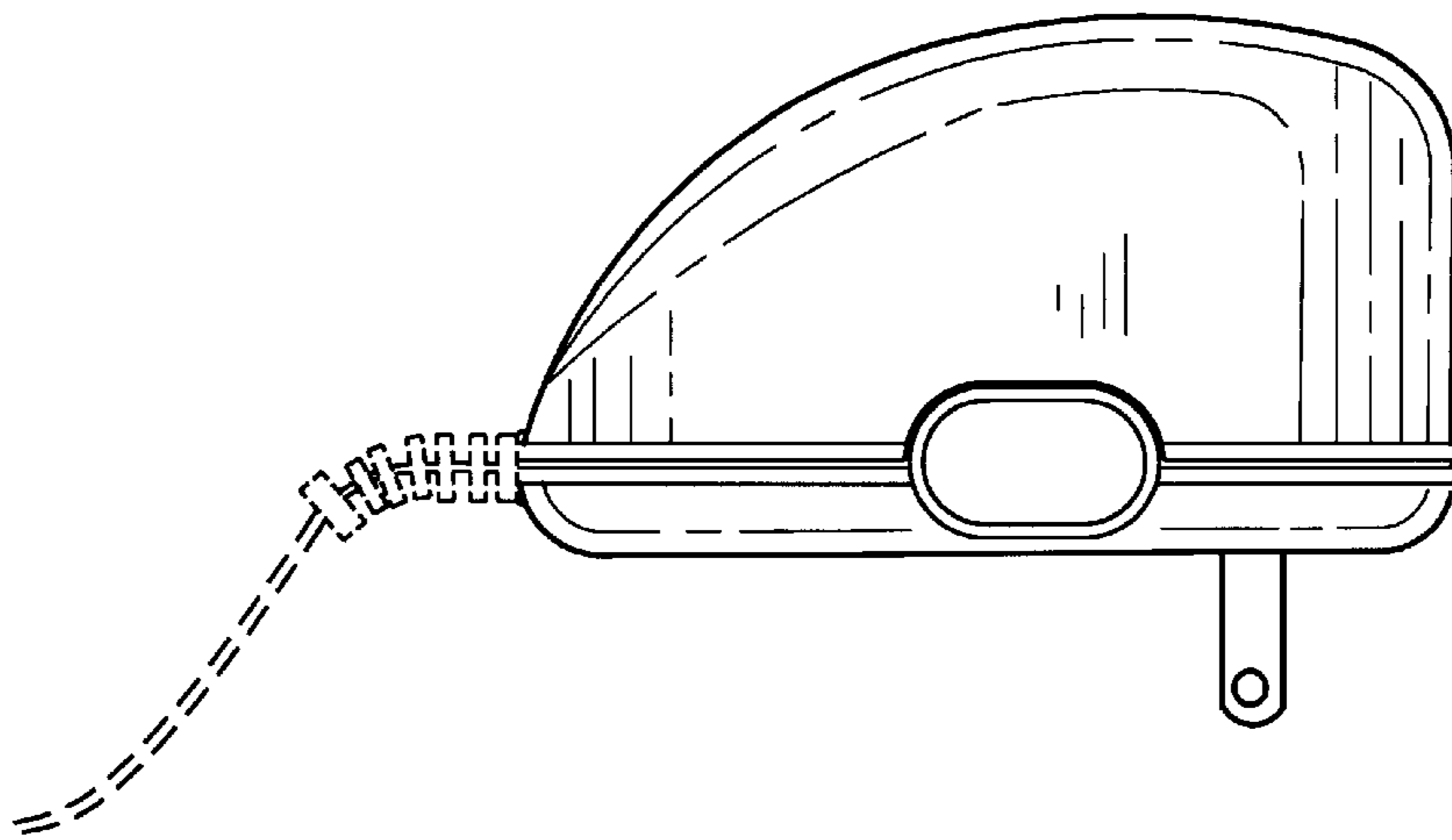


FIG. 4

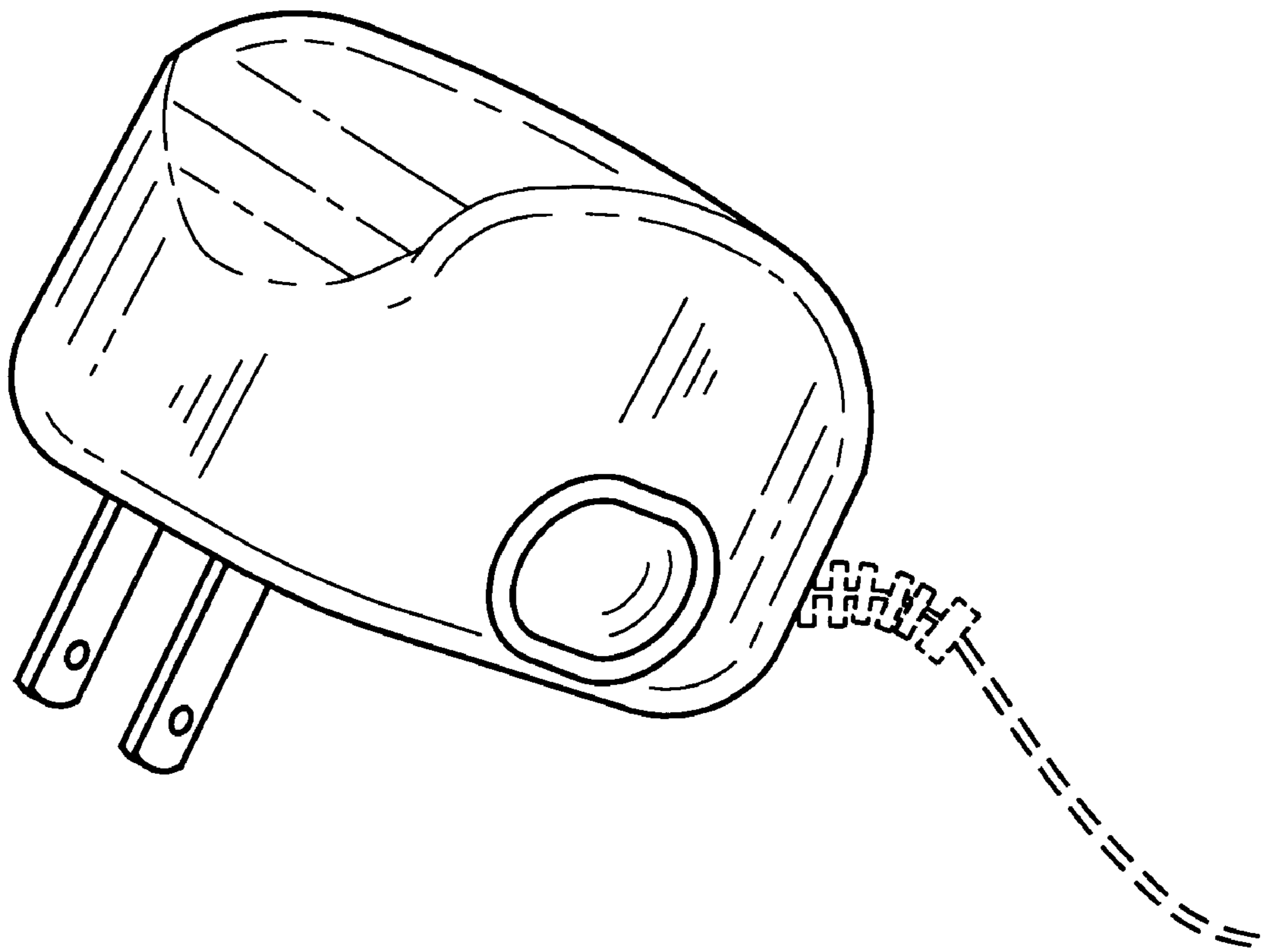


FIG. 7

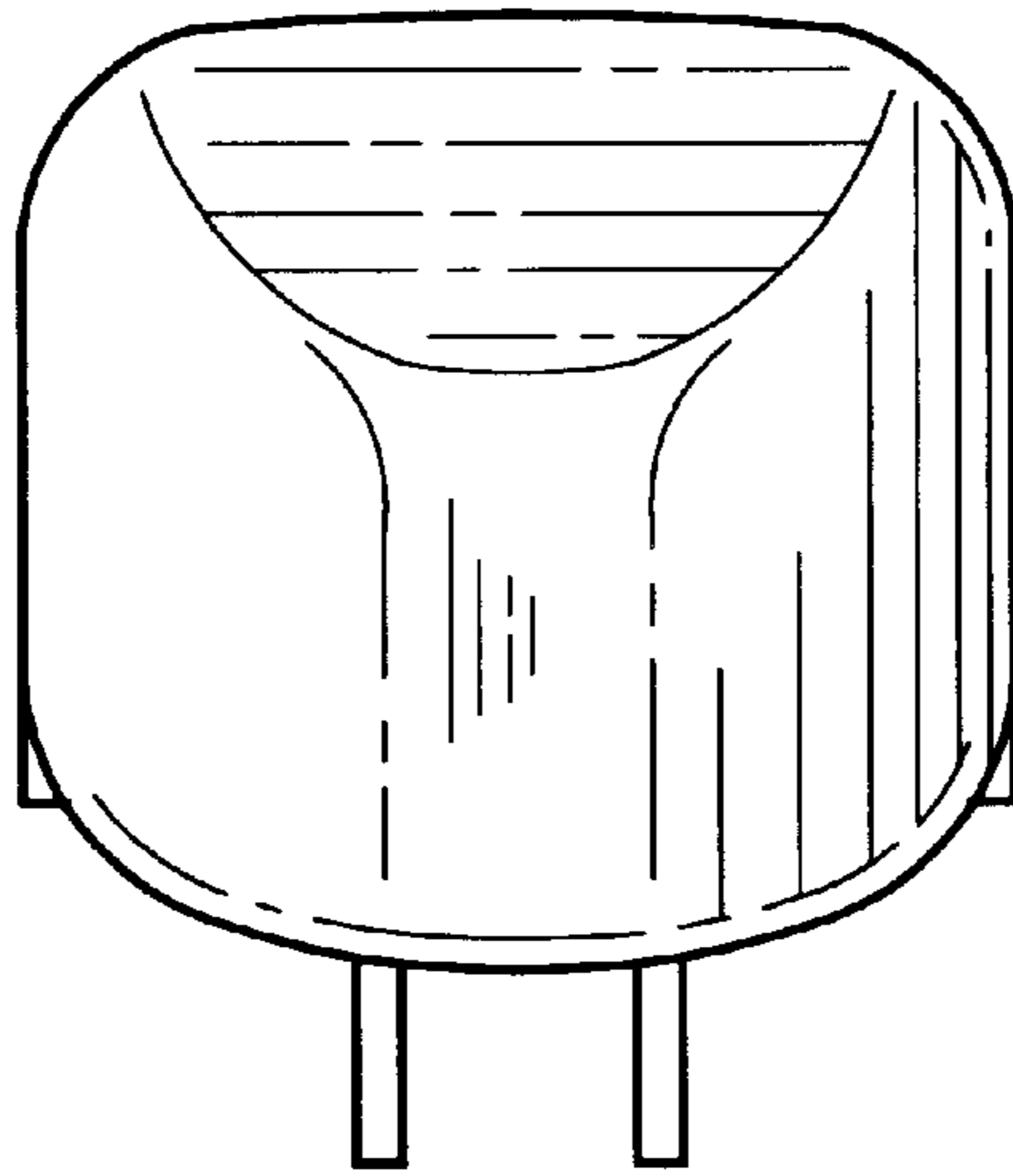


FIG. 9

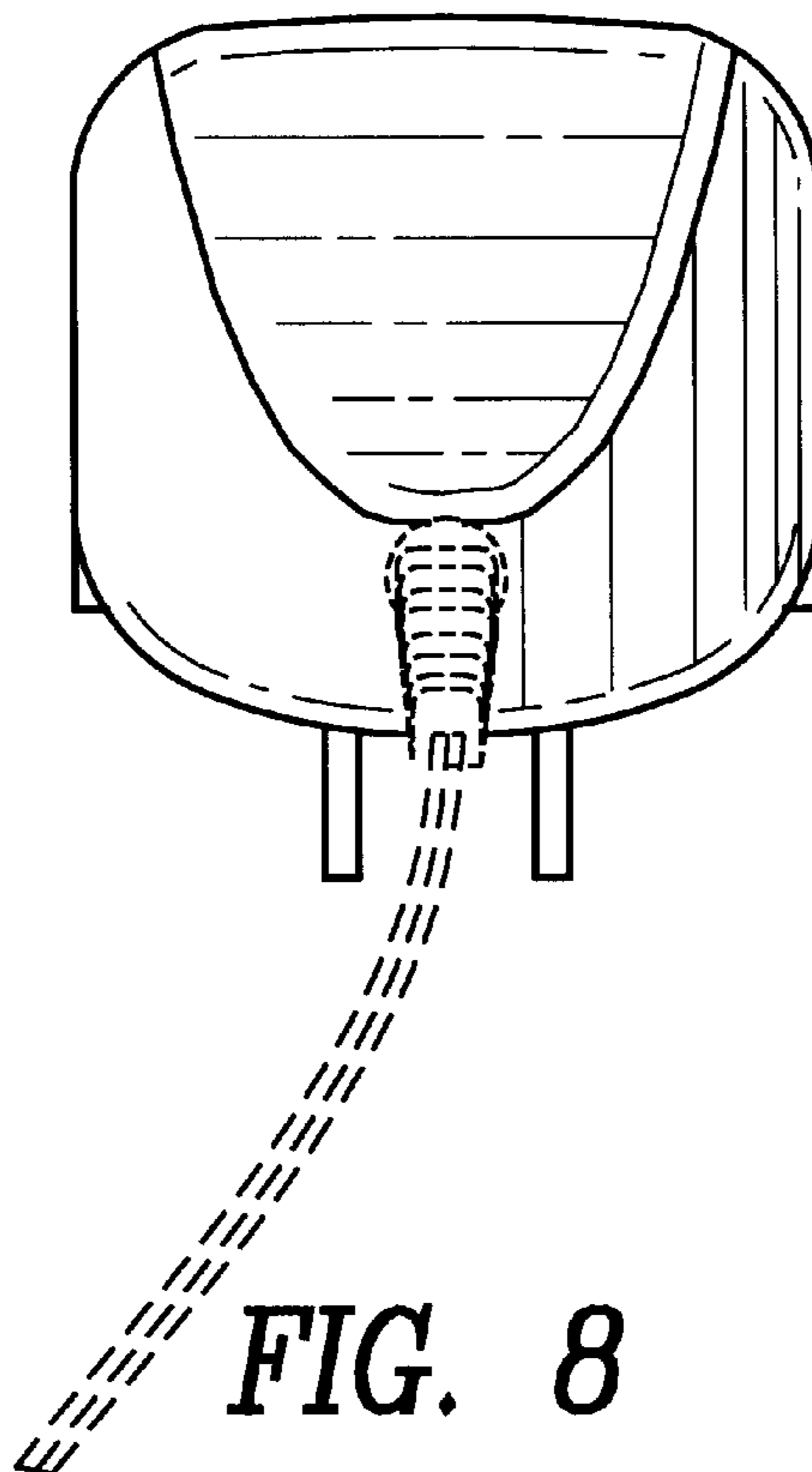


FIG. 8

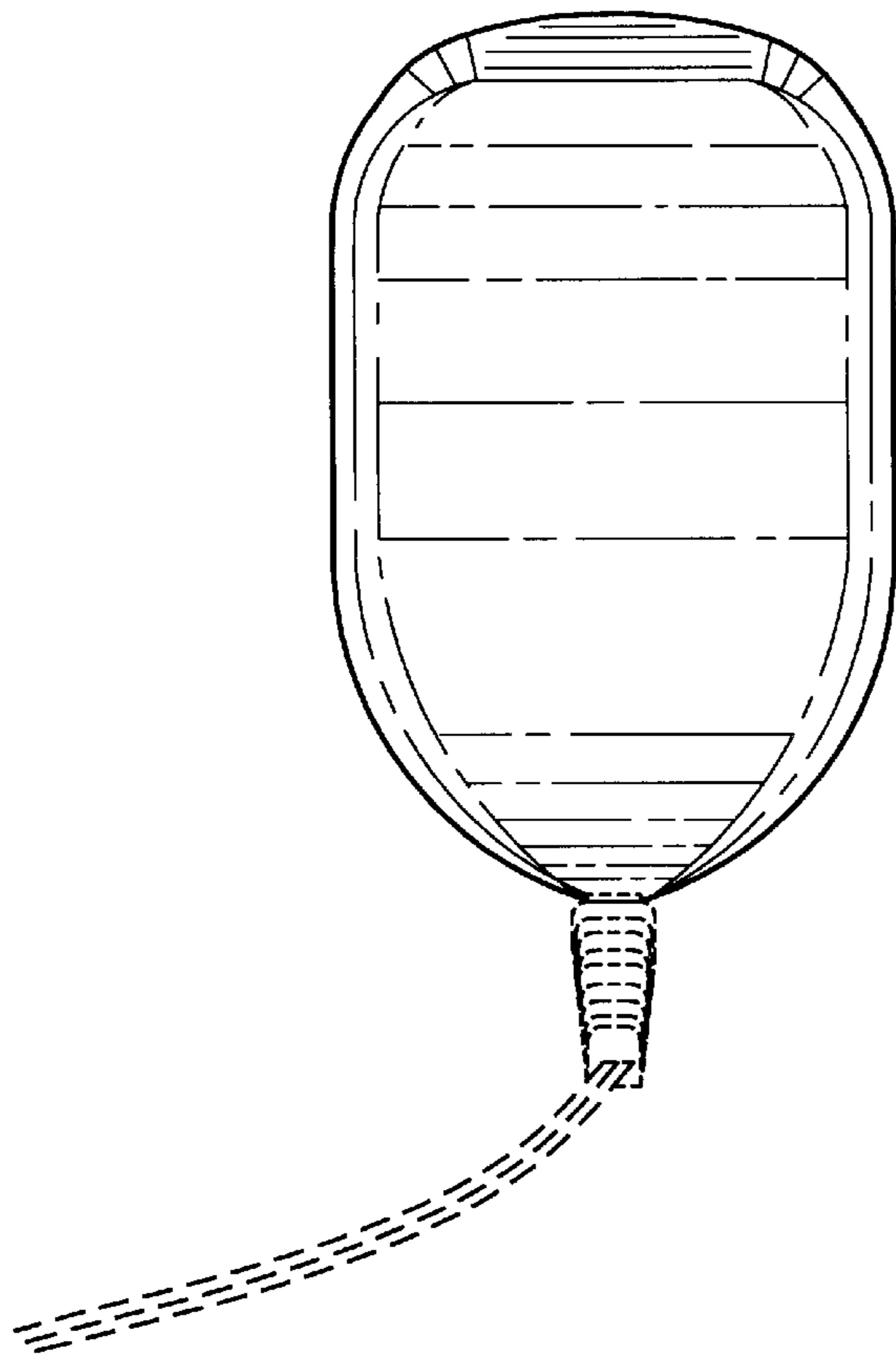


FIG. 11

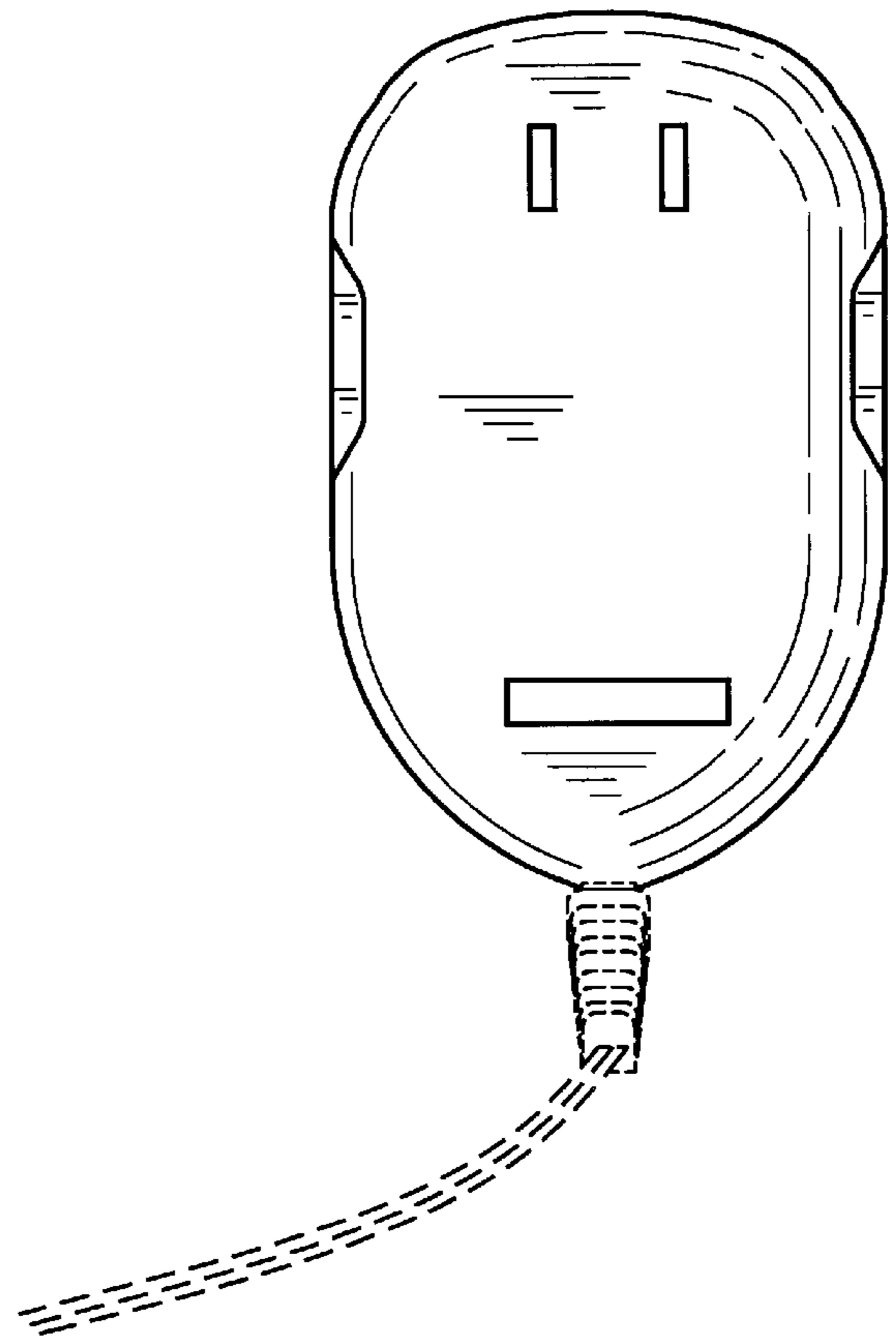


FIG. 12

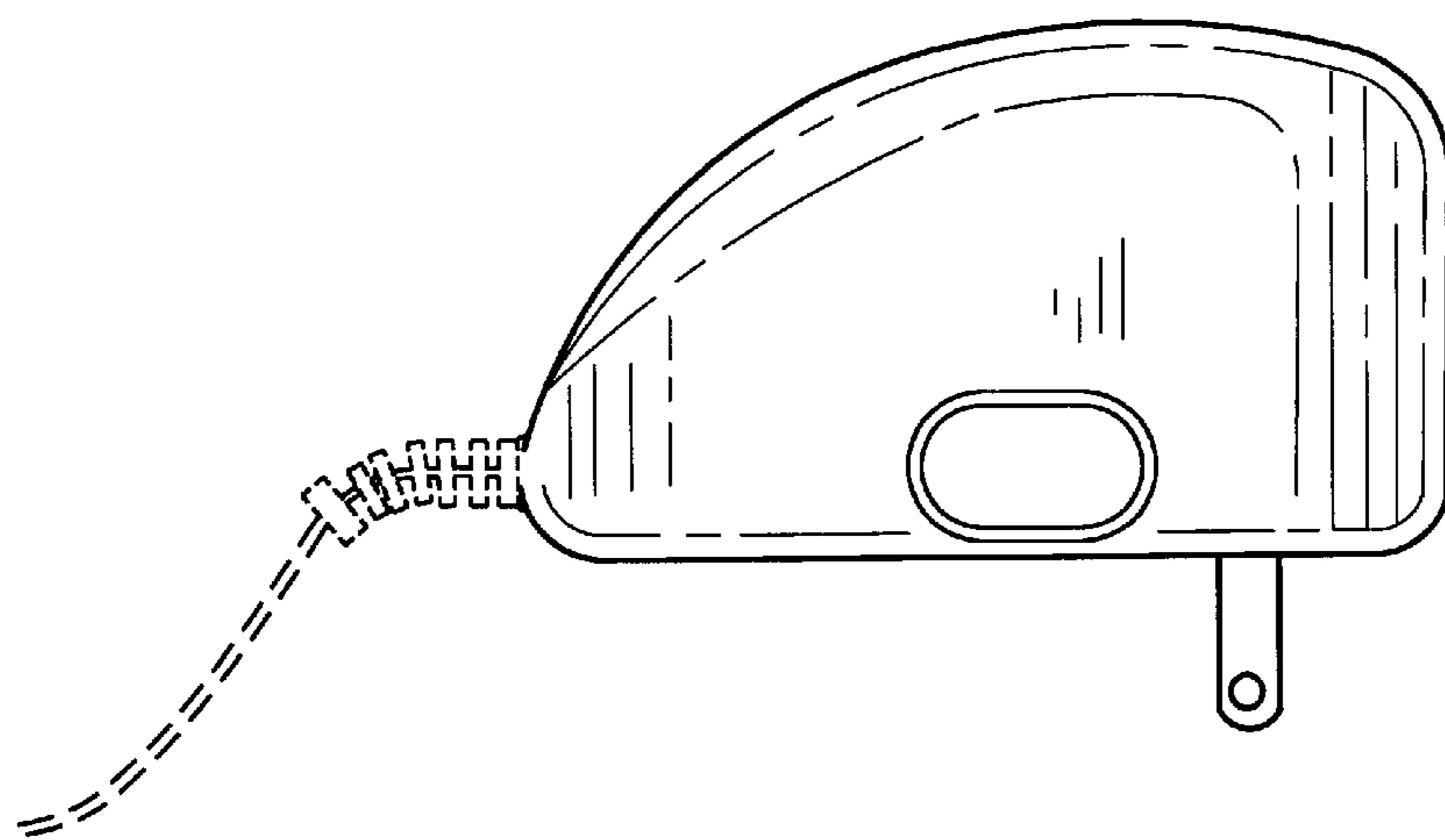


FIG. 10