



US00D430847S

# United States Patent [19]

LaCour et al.

[11] **Patent Number: Des. 430,847**

[45] **Date of Patent: \*\* Sep. 12, 2000**

[54] **MOLDED INSULATOR FOR ELECTRICAL APPARATUS**

D. 317,749	6/1991	Swanson et al.	.....	D13/132
D. 360,399	7/1995	Tillery et al.	.....	D13/132
3,179,851	4/1965	Smith, Jr.	.....	361/124

[75] Inventors: **Keith LaCour**, Waukegan; **Ginger B. Kamber**, Park Ridge, both of Ill.

*Primary Examiner*—Joel Sincavage  
*Attorney, Agent, or Firm*—James V. Lapacek

[73] Assignee: **S&C Electric Company**, Chicago, Ill.

[57] **CLAIM**

[\*\*] Term: **14 Years**

The ornamental design for a molded insulator for electrical apparatus, as shown and described.

[21] Appl. No.: **29/103,102**

**DESCRIPTION**

[22] Filed: **Apr. 9, 1999**

FIG. 1 is a perspective view of the molded insulator for electrical apparatus showing our new design; FIG. 2 is a right side elevational view thereof; FIG. 3 is a left side elevational view thereof; FIG. 4 is a front elevational view thereof; FIG. 5 is a bottom plan view thereof; FIG. 6 is a rear elevational view thereof; and, FIG. 7 is a top plan view thereof.

[51] **LOC (7) Cl.** ..... **13-03**

[52] **U.S. Cl.** ..... **D13/132**

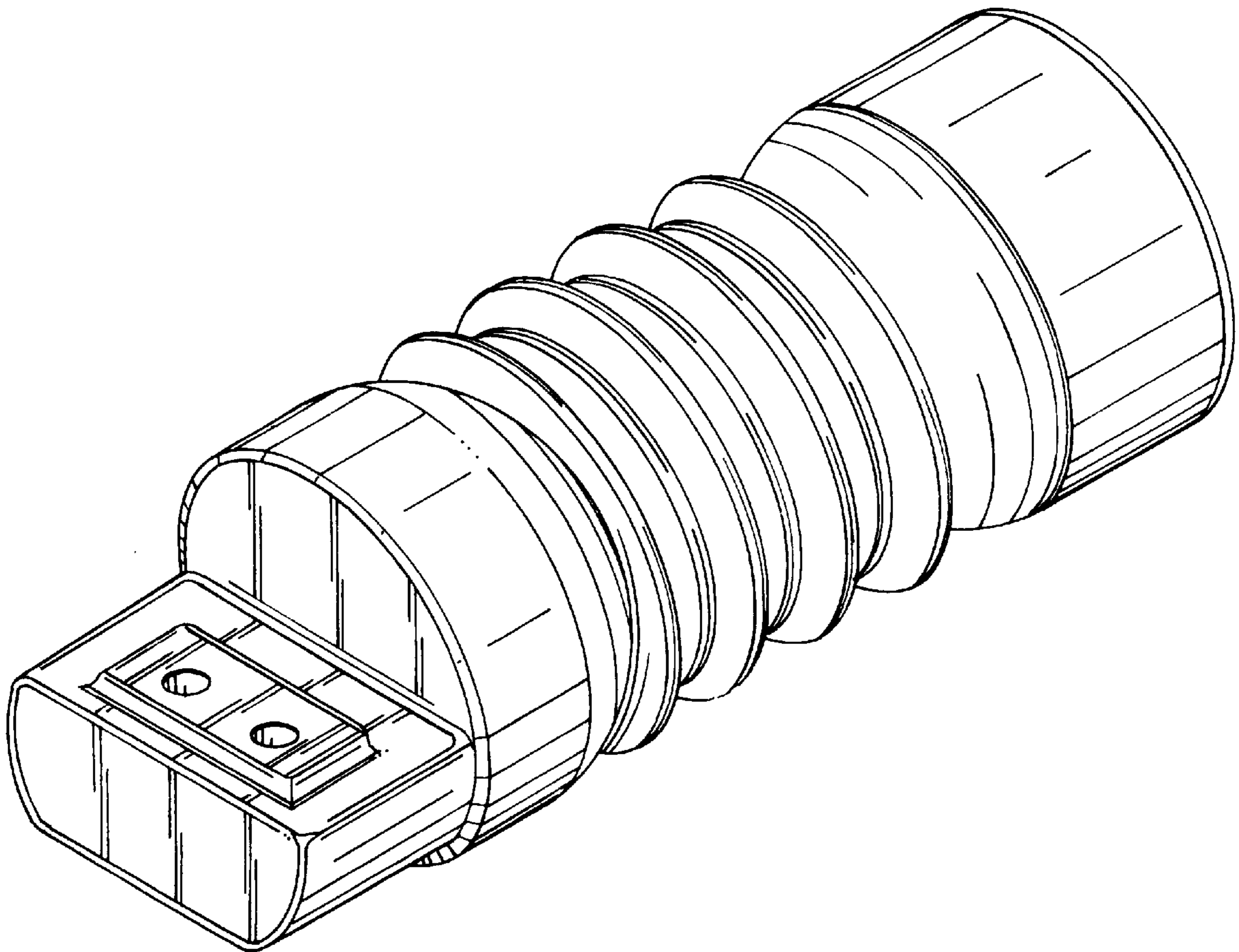
[58] **Field of Search** ..... D13/129, 130, D13/131, 132; 174/176, 158 R, 179

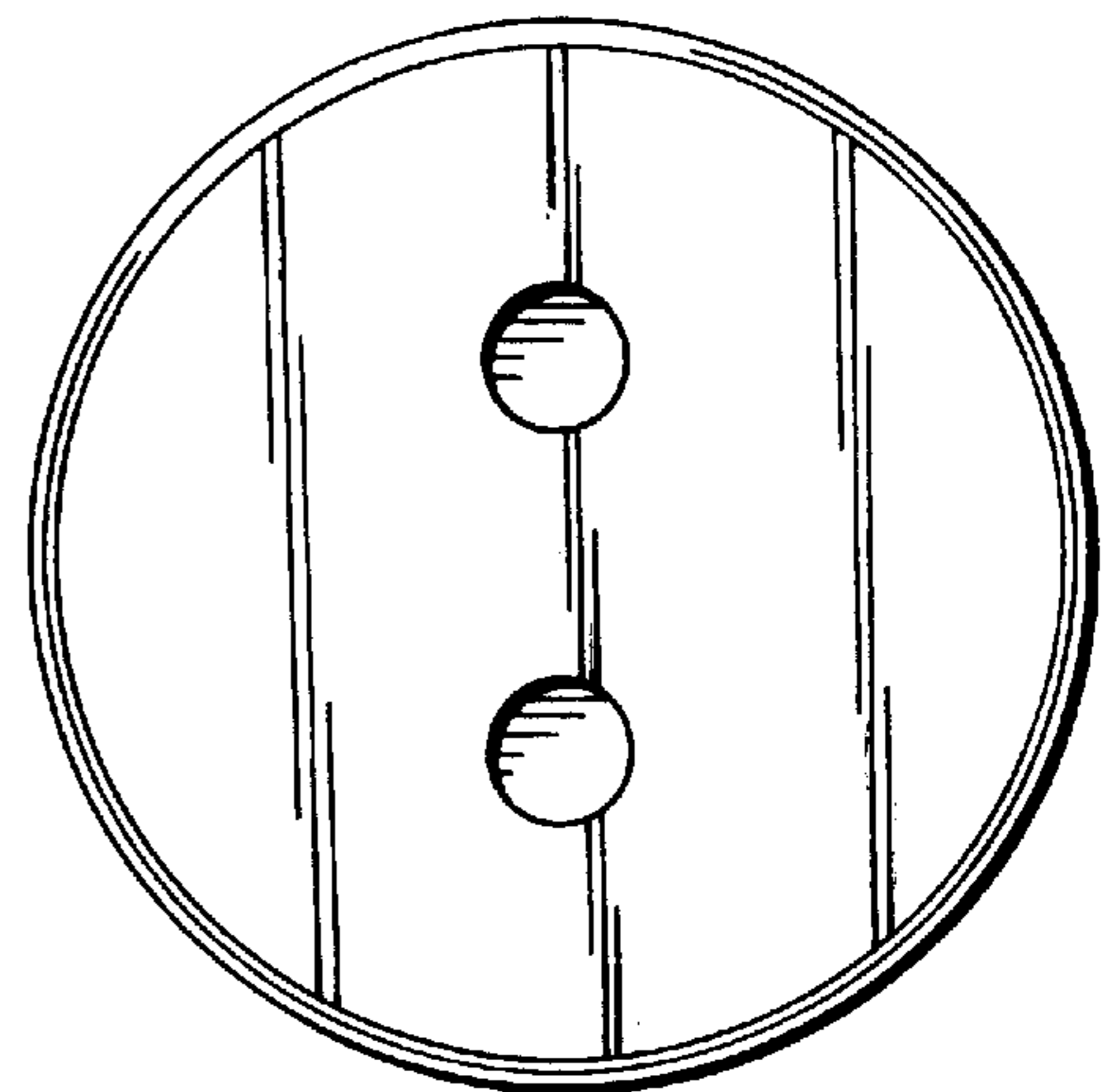
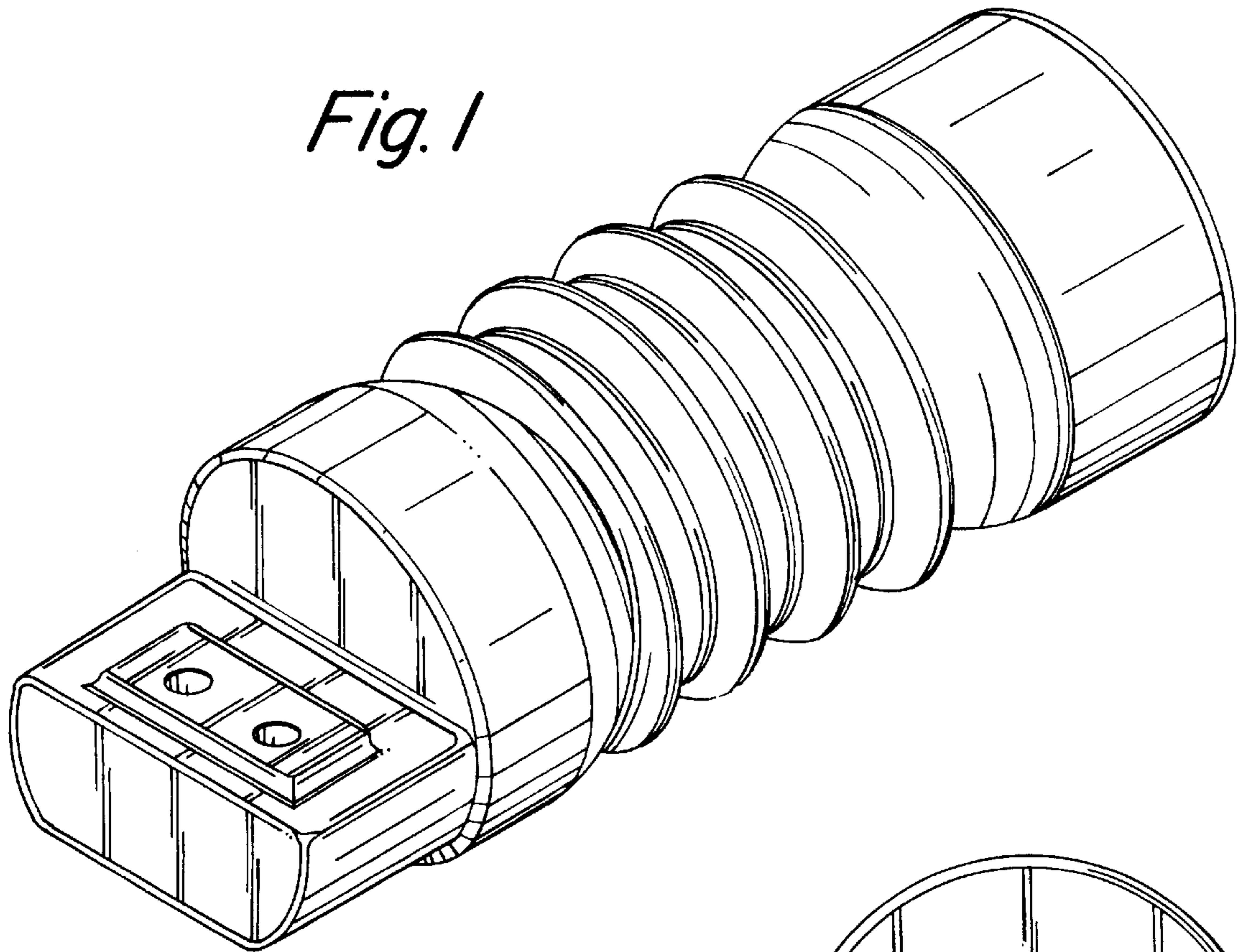
[56] **References Cited**

**U.S. PATENT DOCUMENTS**

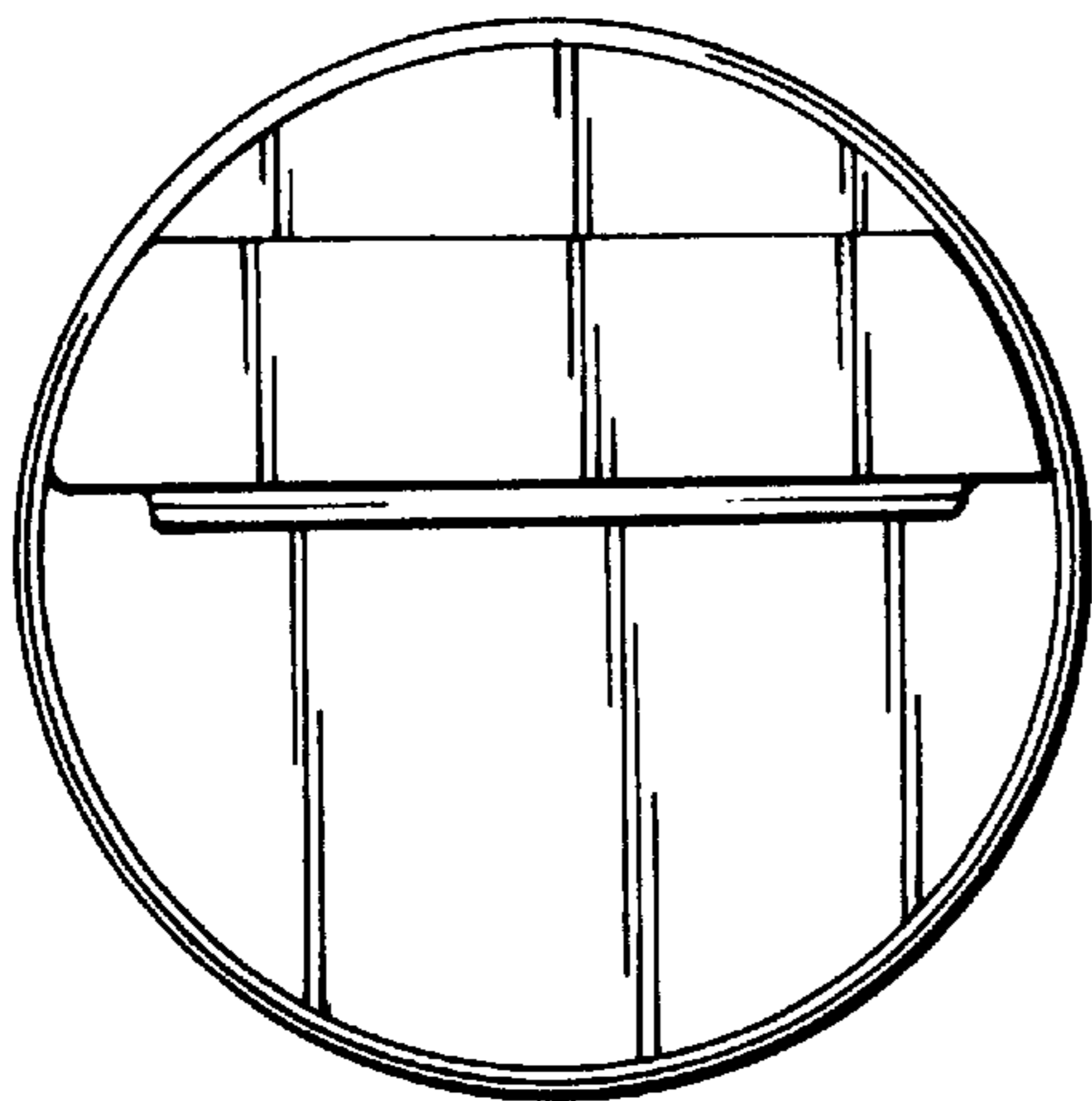
D. 256,354	8/1980	Ramos	.....	D13/129
D. 256,355	8/1980	Evans et al.	.....	D13/129

**1 Claim, 3 Drawing Sheets**



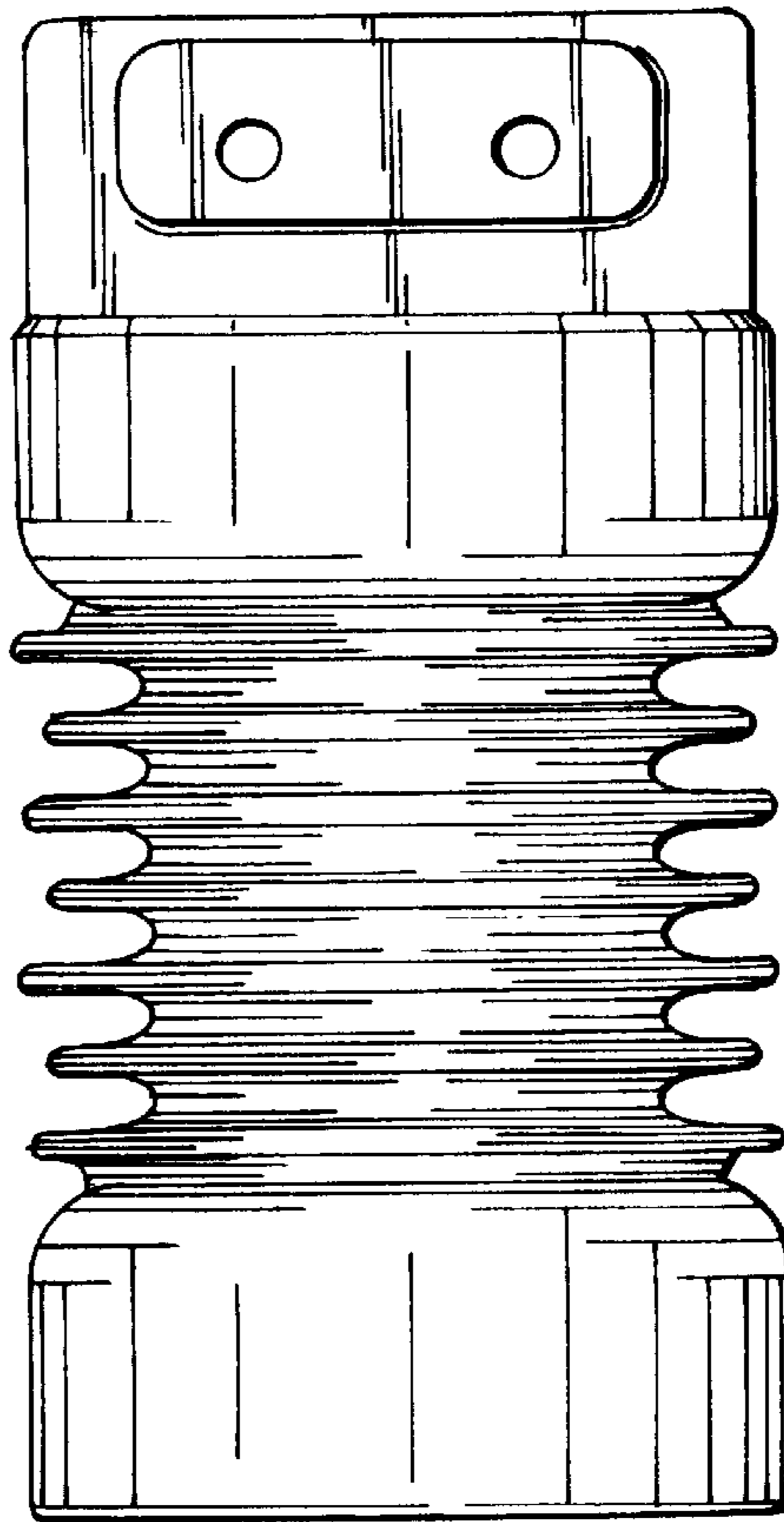


*Fig. 2*

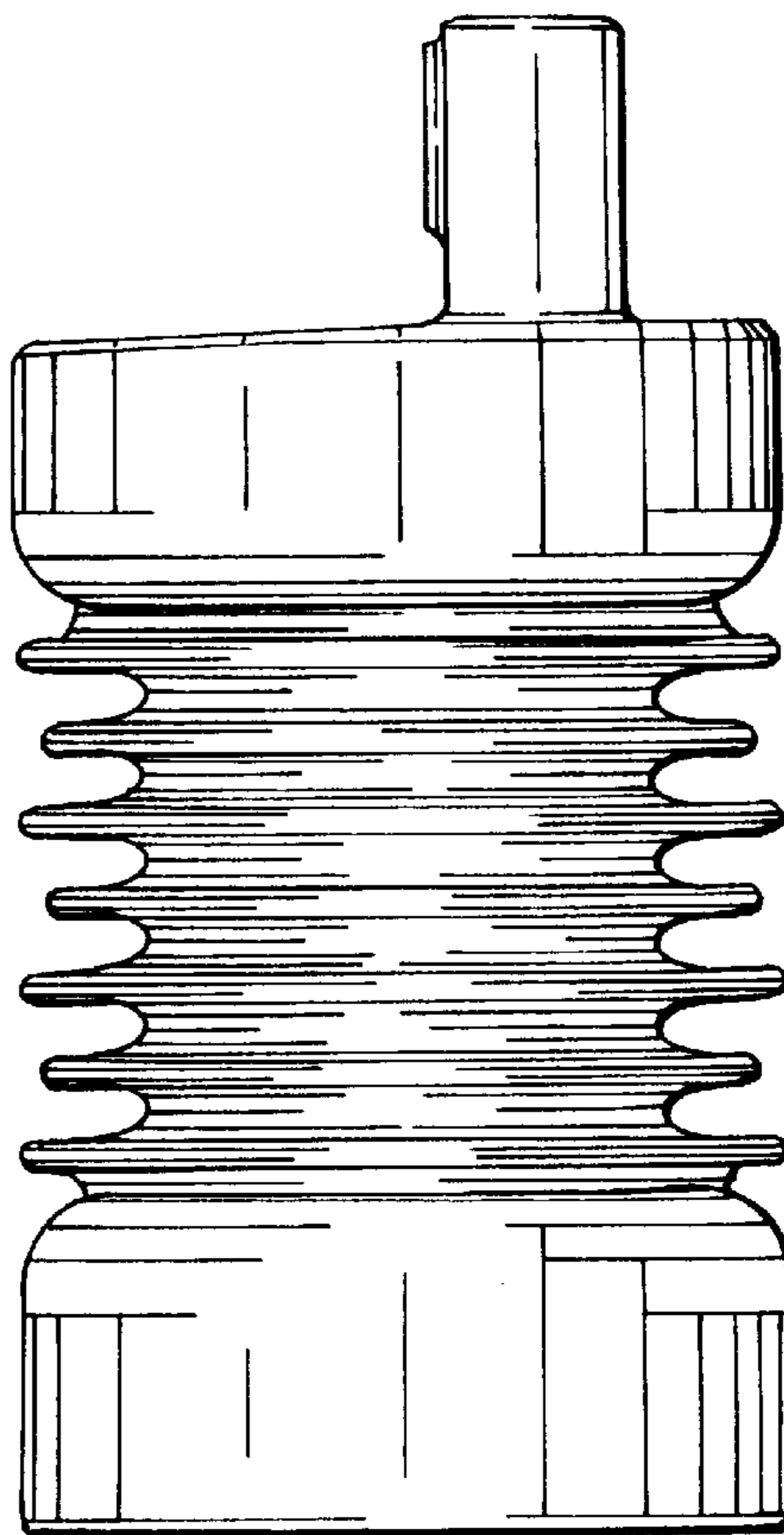


*Fig. 3*

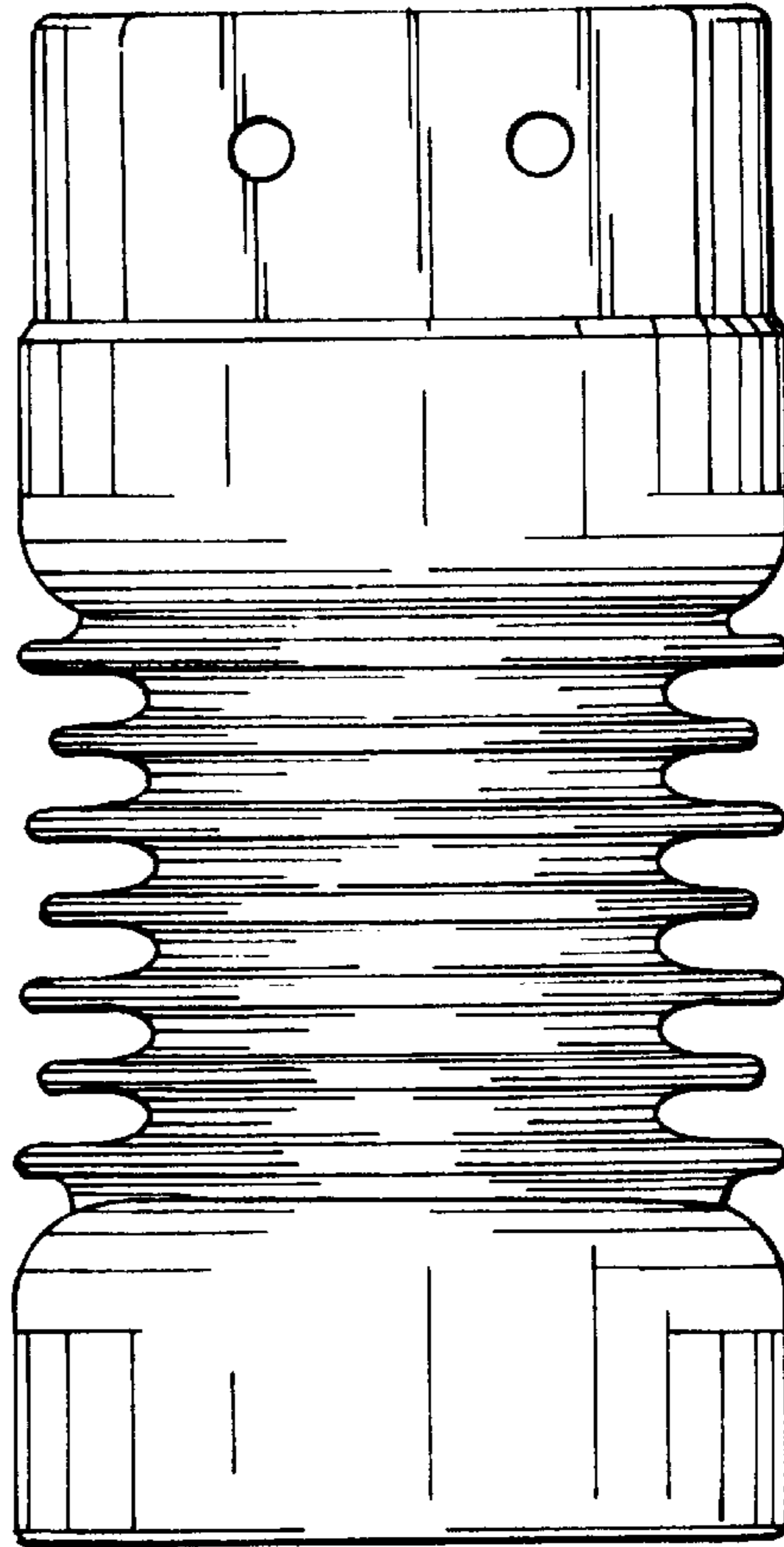
*Fig. 4*



*Fig. 5*



*Fig. 6*



*Fig. 7*

