

US00D430846S

United States Patent [19]

Kawakita et al.

[11] Patent Number: **Des. 430,846**

[45] Date of Patent: **** Sep. 12, 2000**

[54] **BATTERY CHARGER**

[75] Inventors: **Kozo Kawakita; Takeshi Yamagishi; Tsutomu Tsuchiya**, all of Tokyo; **Toru Imai; Nobuyuki Fukui**, both of Nagano, all of Japan

[73] Assignee: **Sony Corporation**, Japan

[**] Term: **14 Years**

[21] Appl. No.: **29/118,126**

[22] Filed: **Feb. 7, 2000**

Related U.S. Application Data

[62] Division of application No. 29/106,121, Jun. 8, 1999.

[51] **LOC (7) Cl.** **13-02**

[52] **U.S. Cl.** **D13/107**

[58] **Field of Search** D13/107, 108, D13/118; D14/251, 253; 320/107-115

[56] References Cited

U.S. PATENT DOCUMENTS

- D. 284,958 8/1986 Tsuji D13/108
- D. 368,098 3/1996 Su D13/108 X

- D. 408,406 4/1999 Shindo D14/149
- 5,220,270 6/1993 Peickert 320/107
- 5,874,723 2/1999 Hasegawa et al. 320/115 X

FOREIGN PATENT DOCUMENTS

DM/041 388 12/1997 WIPO .

OTHER PUBLICATIONS

Catalog "88", p. 158, (Mar. 1998).

Primary Examiner—Joel Sincavage
Attorney, Agent, or Firm—Rader, Fishman&Grauer

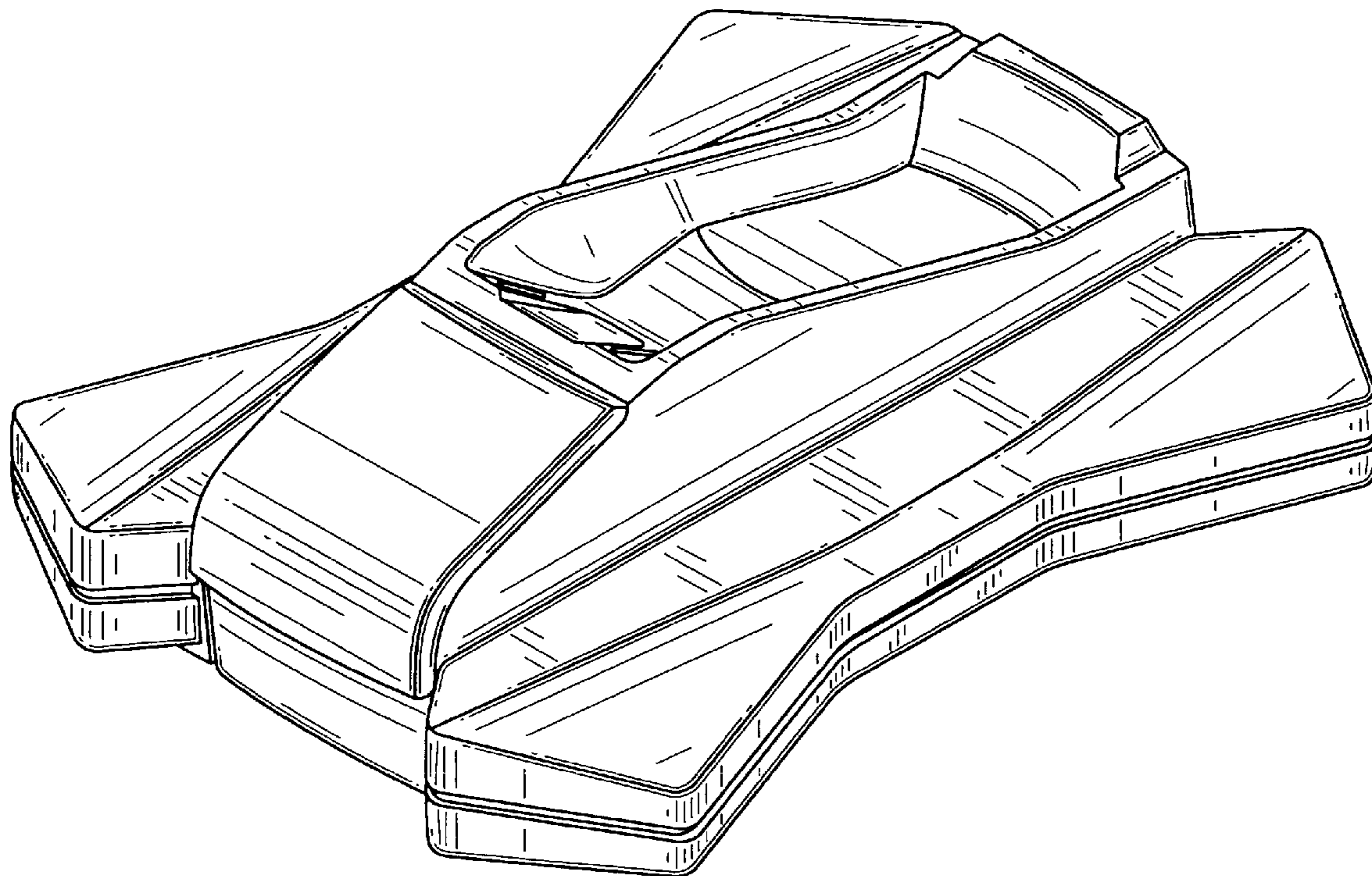
[57] CLAIM

The ornamental design for a battery charger, as shown and described.

DESCRIPTION

FIG. 1 is a perspective view of a battery charger showing our new design;
 FIG. 2 is a top plan view thereof;
 FIG. 3 is a left side elevational view thereof;
 FIG. 4 is a front elevational view thereof;
 FIG. 5 is a bottom plan view thereof;
 FIG. 6 is a right side elevational view thereof; and,
 FIG. 7 is a rear elevational view thereof.

1 Claim, 7 Drawing Sheets



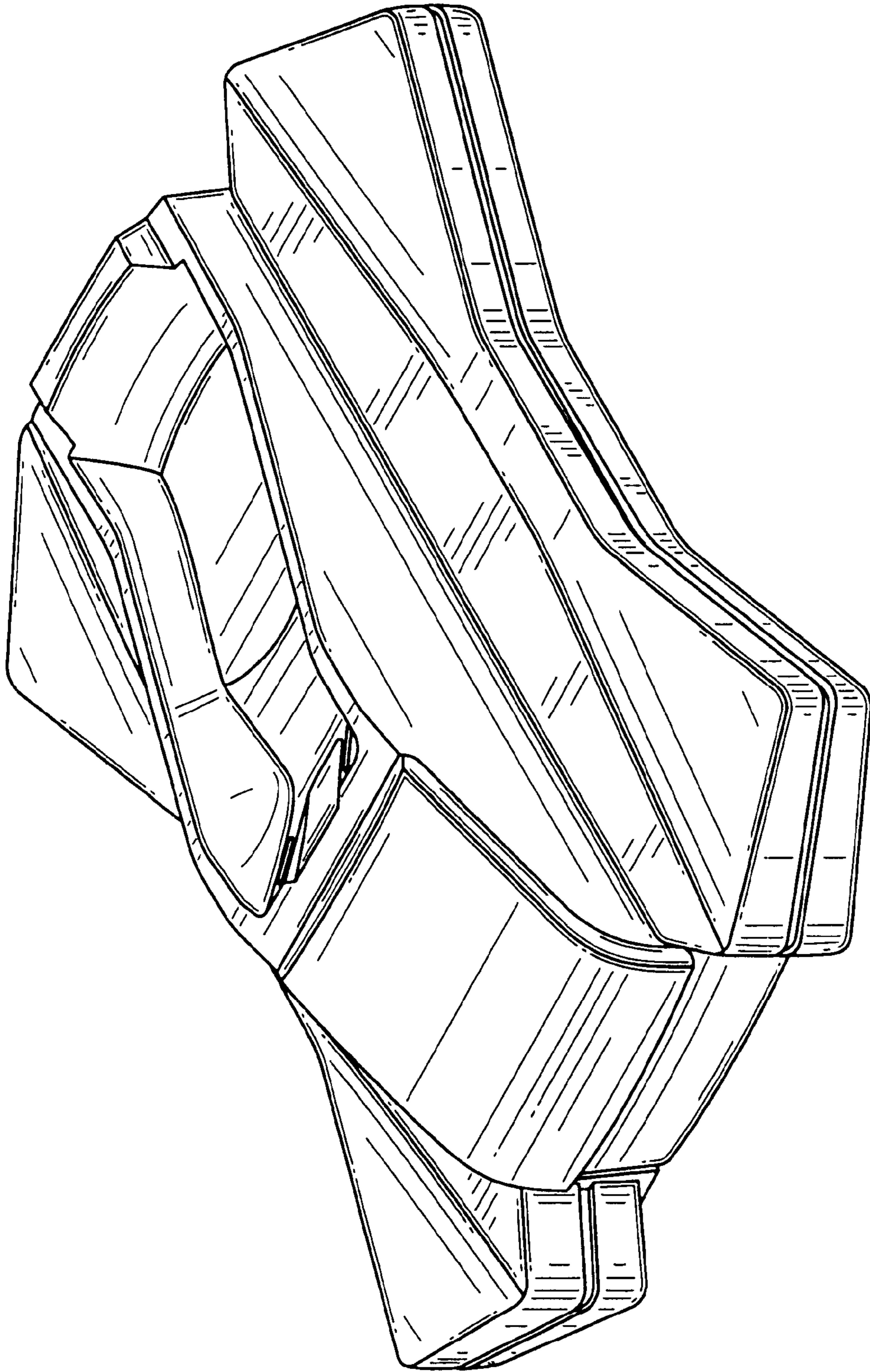


FIG. 1

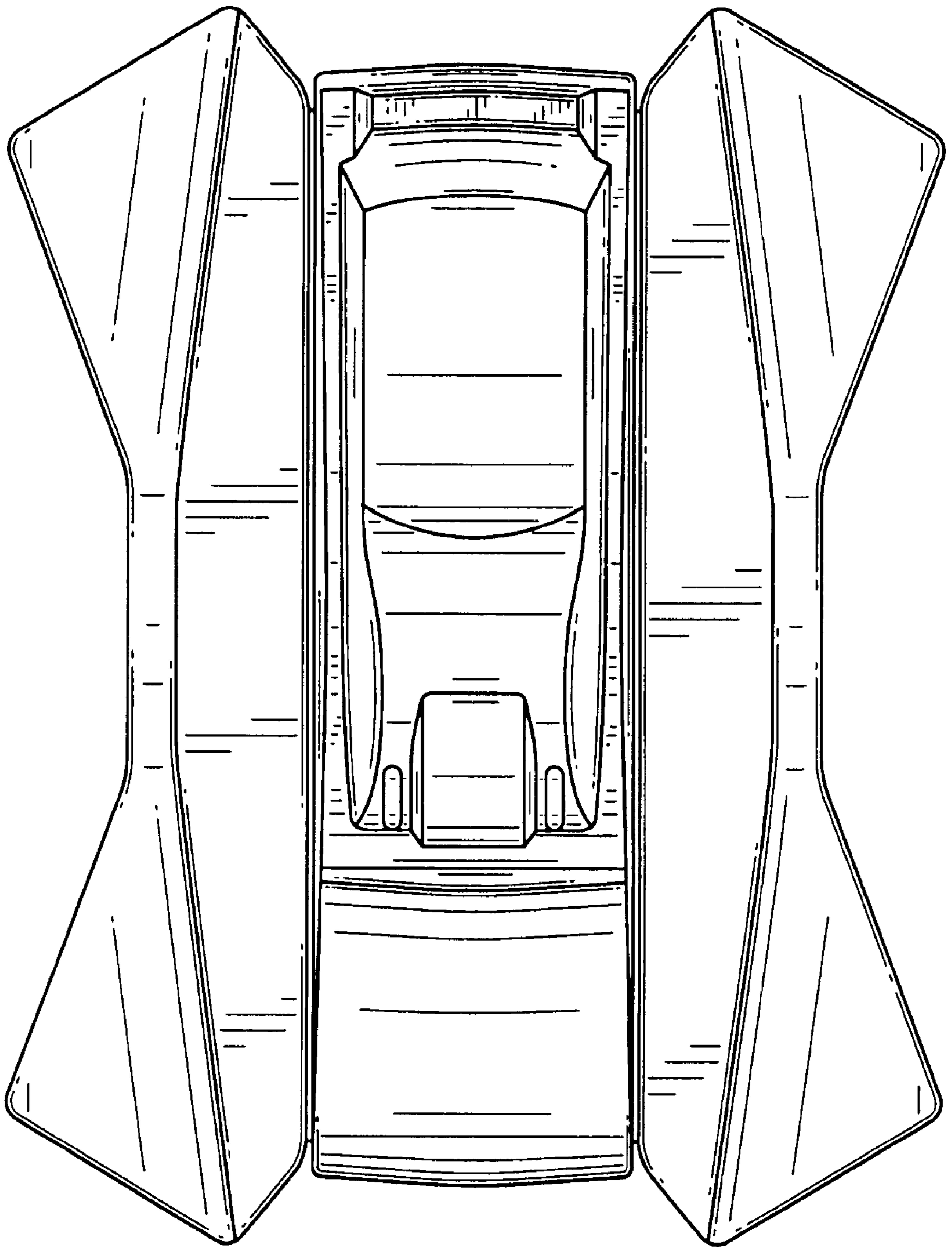


FIG. 2

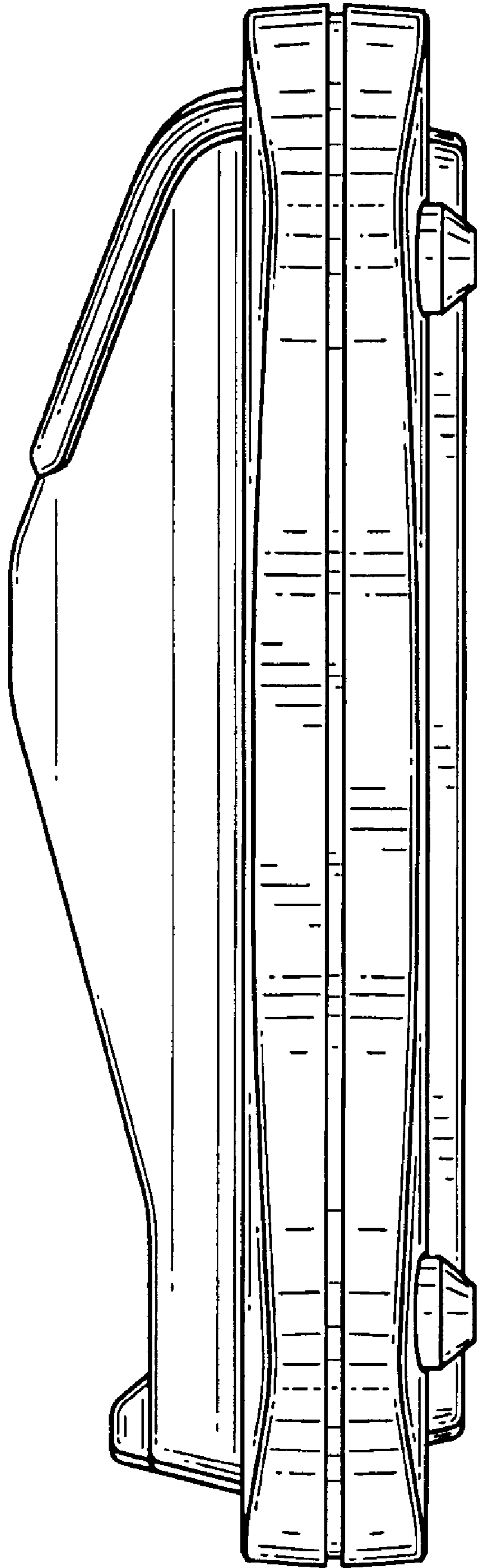


FIG. 3

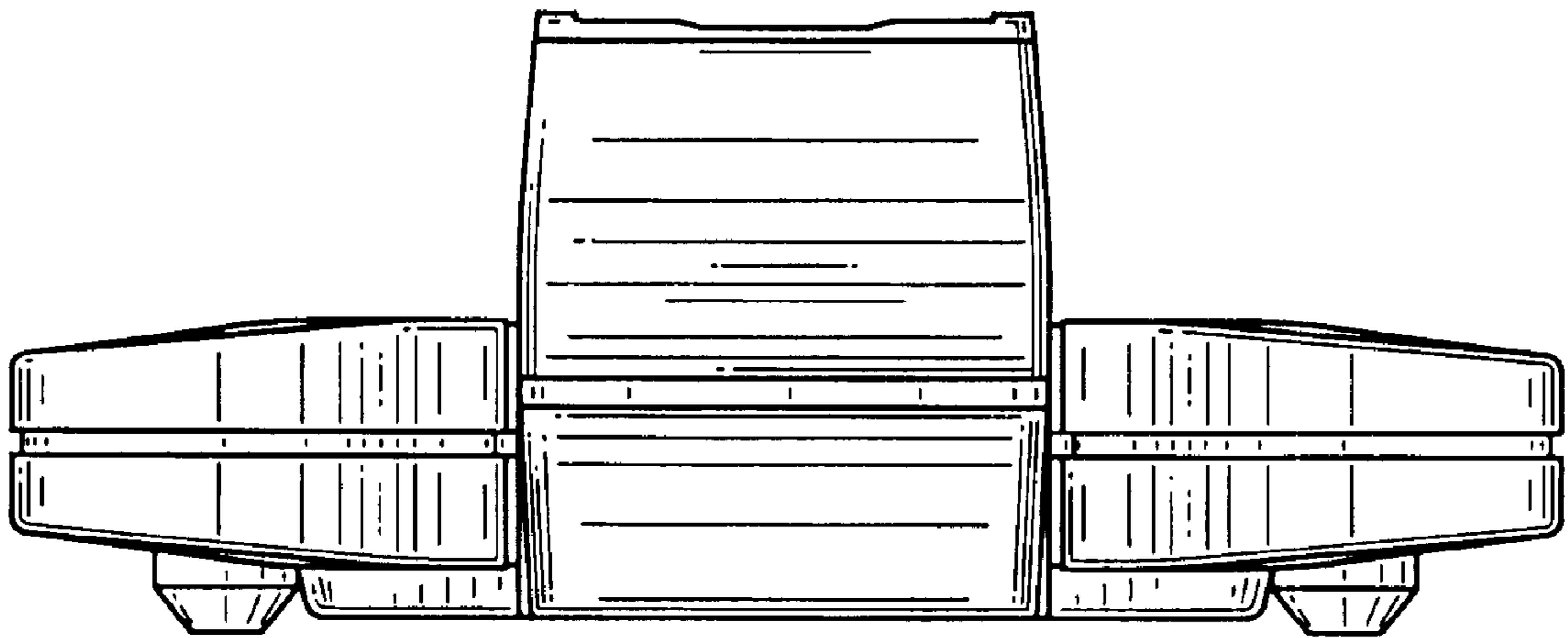


FIG. 4

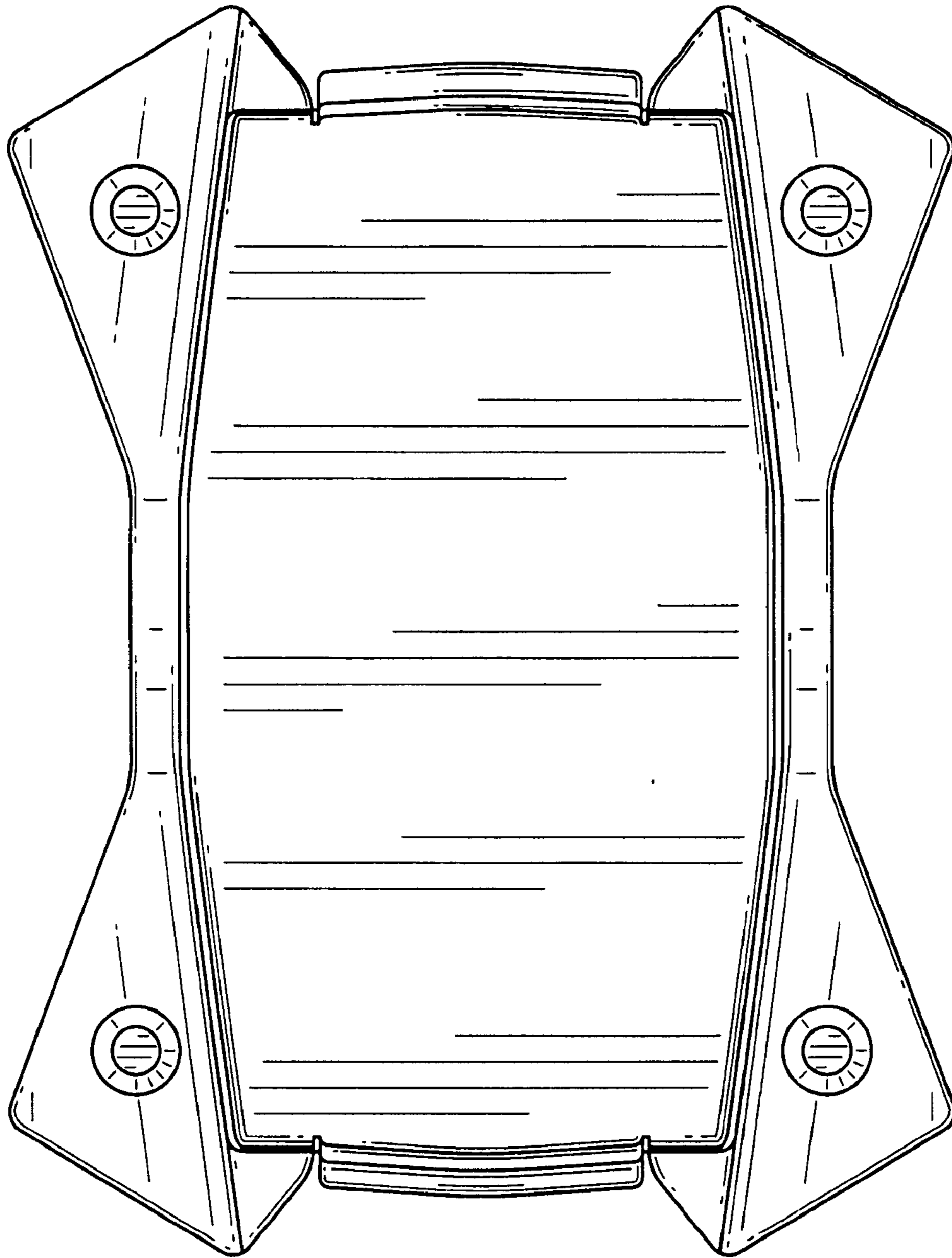


FIG. 5

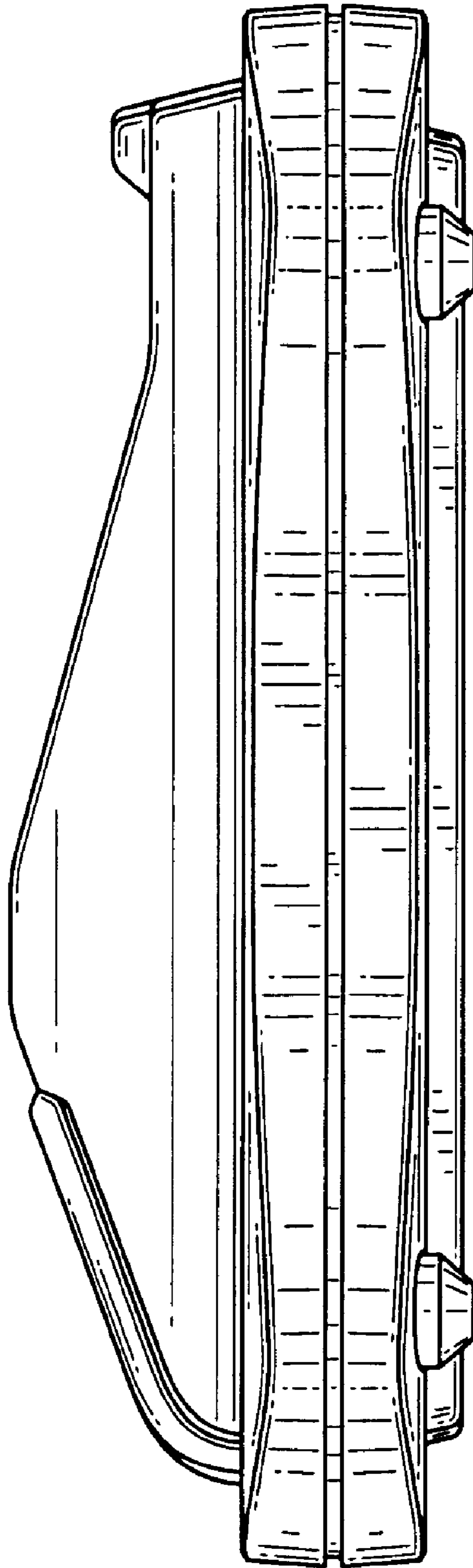


FIG. 6

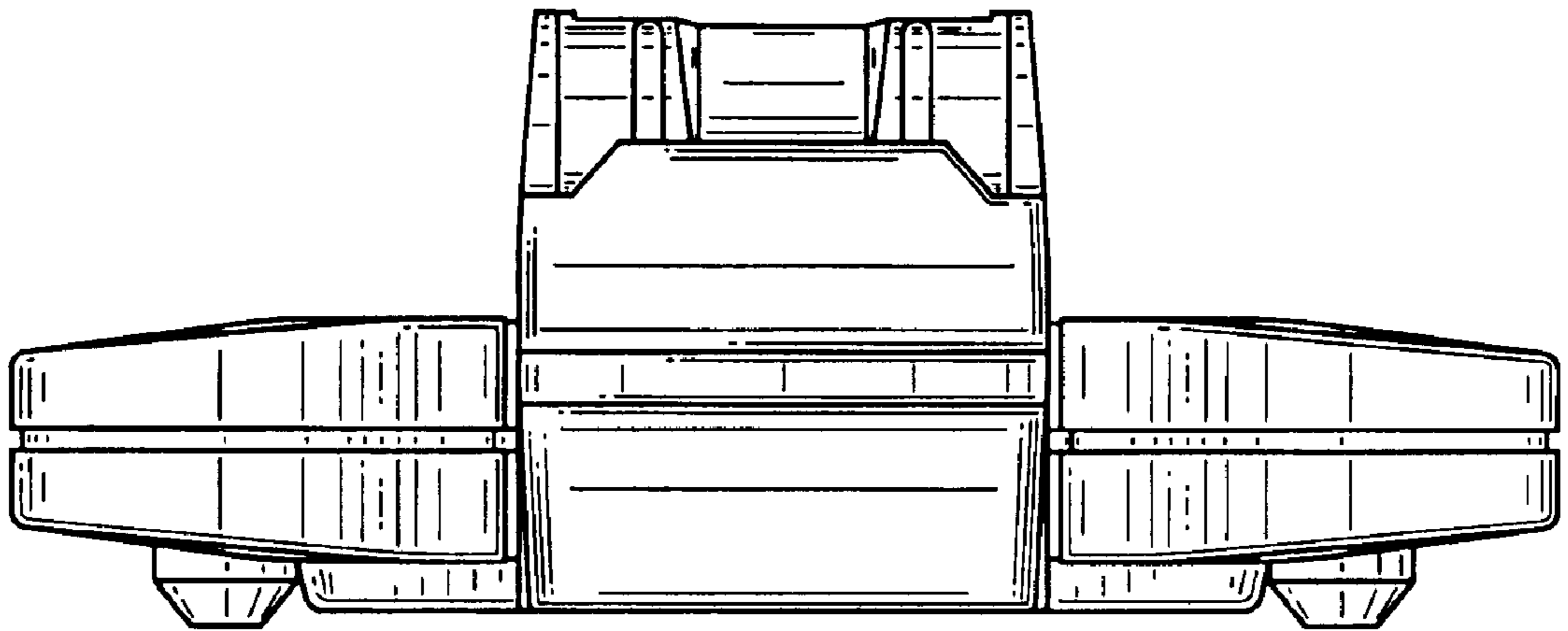


FIG. 7