



US00D430844S

United States Patent [19]
Noriega

[11] **Patent Number: Des. 430,844**

[45] **Date of Patent: ** Sep. 12, 2000**

[54] **WHEEL**

[76] Inventor: **Frank Noriega**, 9246 Claymore St.,
Pico Rivera, Calif. 90660

[**] Term: **14 Years**

[21] Appl. No.: **29/112,120**

[22] Filed: **Oct. 8, 1999**

[51] **LOC (7) Cl.** **12-16**

[52] **U.S. Cl.** **D12/211**

[58] **Field of Search** D12/204-211;
301/37.1, 64.1, 65

[56] **References Cited**

U.S. PATENT DOCUMENTS

D. 271,012 10/1983 Palmer et al. D12/211

D. 277,274 1/1985 Frazee et al. D12/211
D. 281,491 11/1985 Schinella D12/211
D. 292,507 10/1987 Reid D12/211
D. 302,146 7/1989 Black D12/211
D. 408,778 4/1999 Neeper D12/211
D. 418,101 12/1999 Noriega D12/209

Primary Examiner—Stacia Cadmus

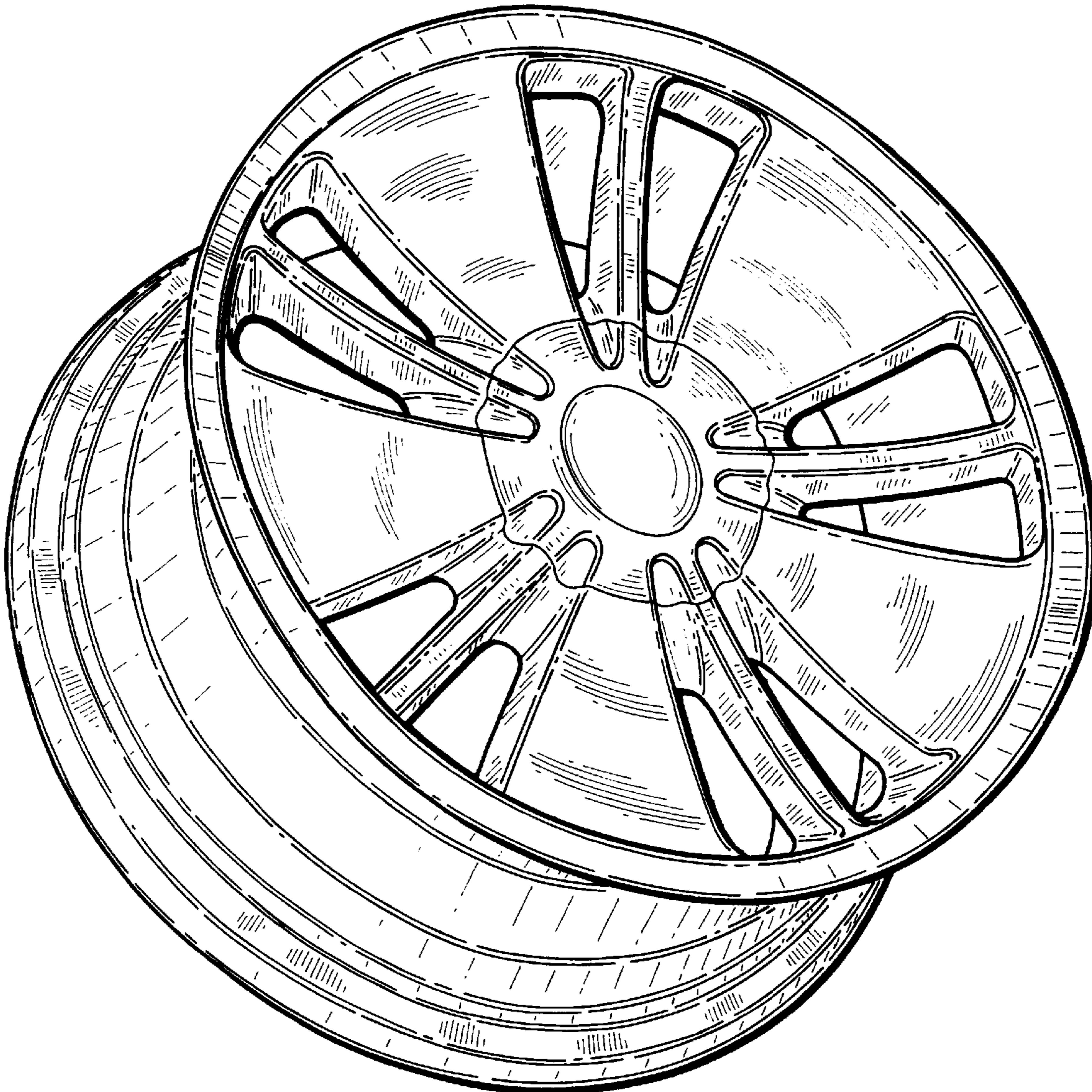
[57] **CLAIM**

The ornamental design for a wheel, as shown and described.

DESCRIPTION

FIG. 1 is a front perspective view of a wheel, showing my new design;
FIG. 2 is an enlarged front view thereof; and,
FIG. 3 is an enlarged side view thereof.

1 Claim, 2 Drawing Sheets



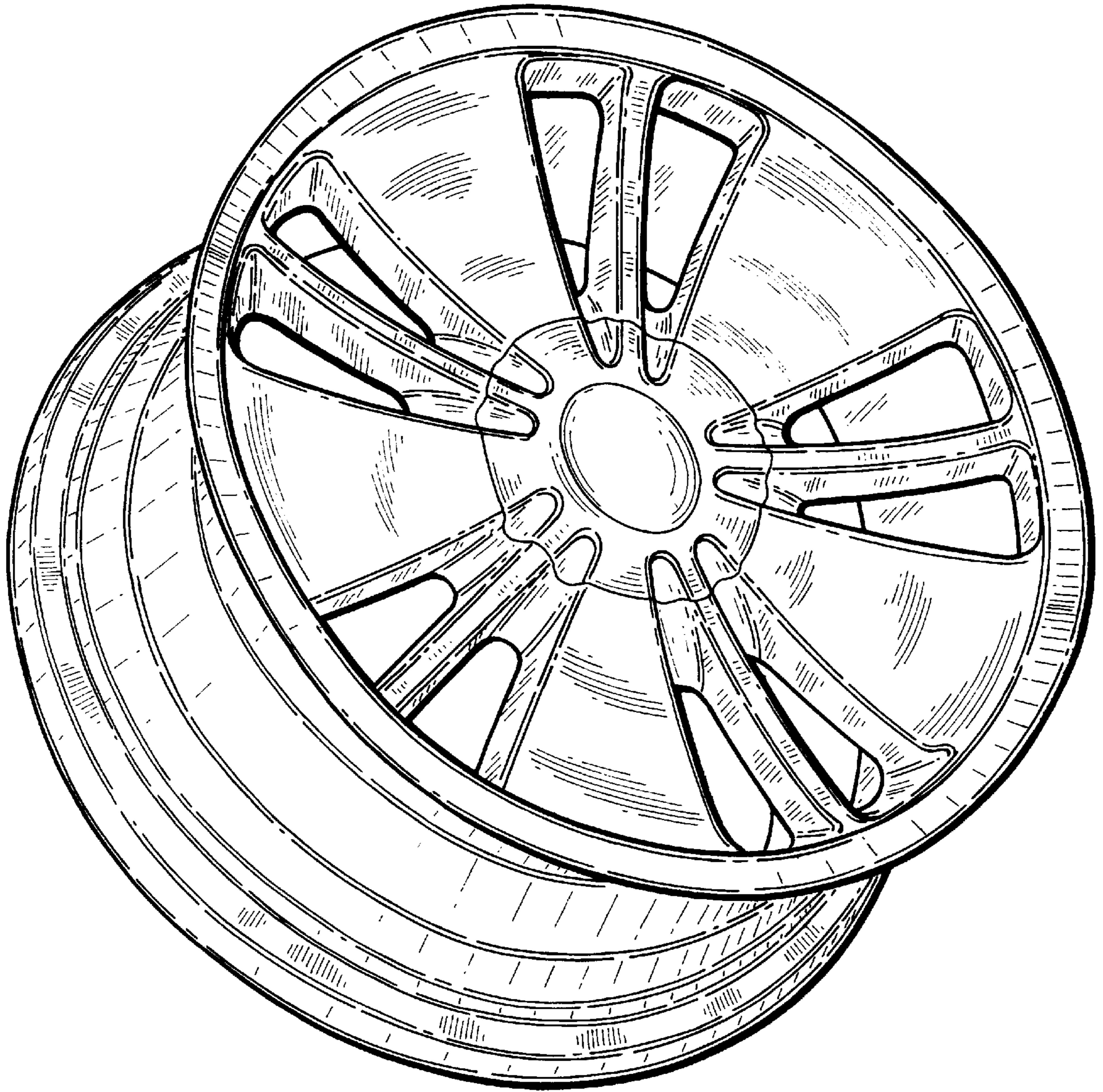


FIG. 1

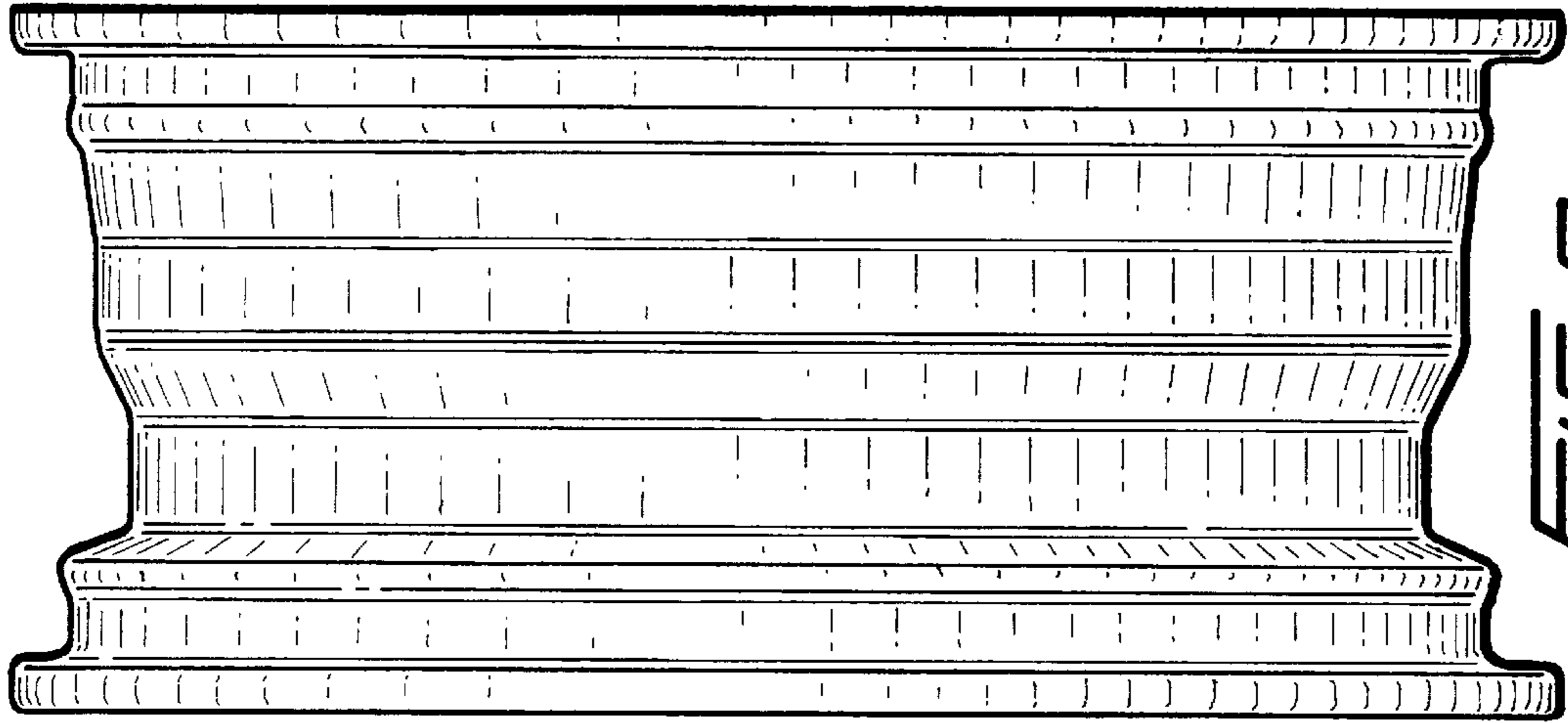


FIG. 3

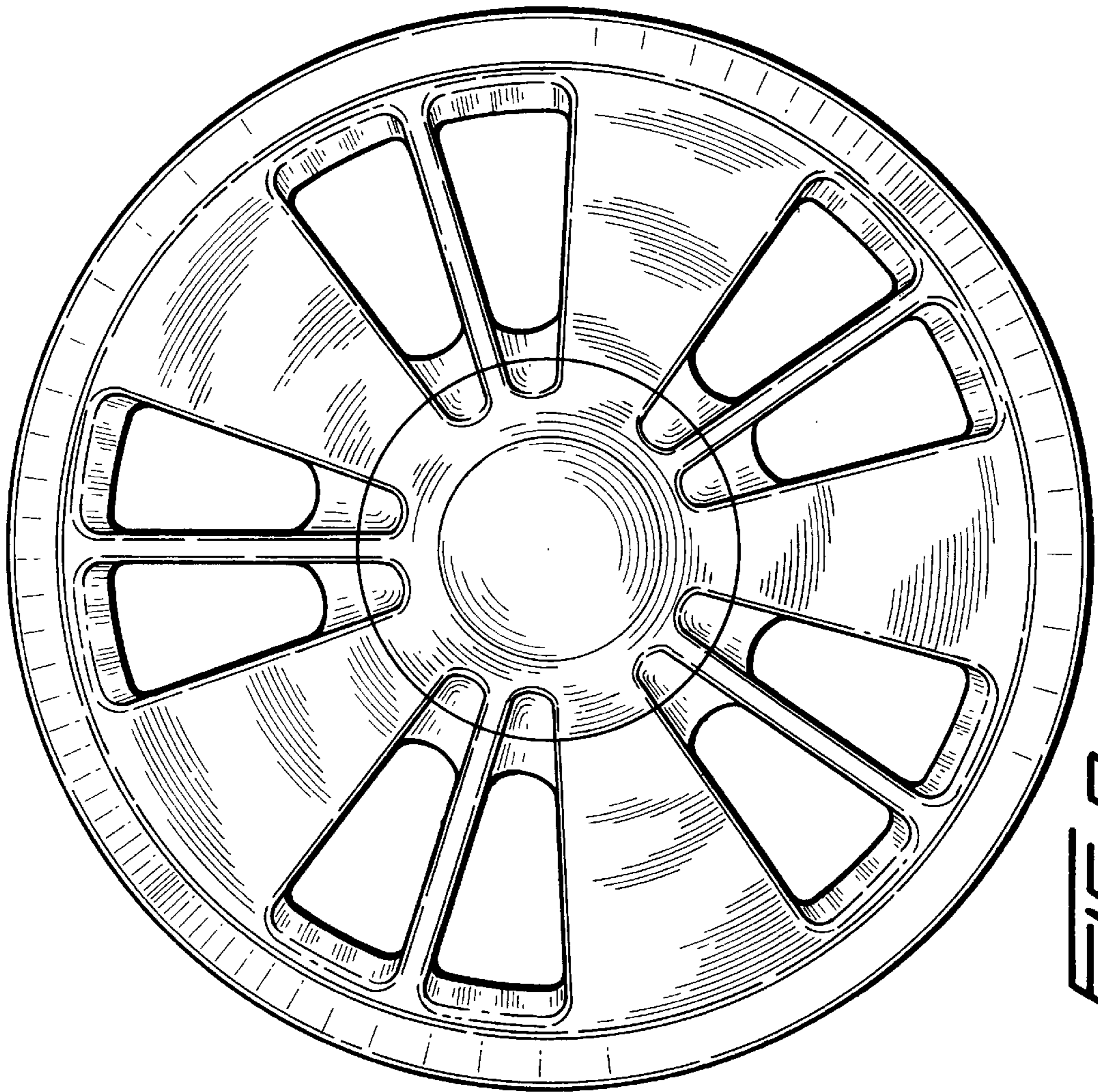


FIG. 2