



US00D430840S

United States Patent [19] Iampen

[11] Patent Number: **Des. 430,840**

[45] Date of Patent: **** Sep. 12, 2000**

[54] TIRE COVER

5,423,599 6/1995 Sherod et al. 301/37.1
5,524,972 6/1996 Cailor et al. 301/37.42

[76] Inventor: **Marcel H. Iampen**, R.R. #1, Site 13-B,
C-21, Peachland, British Columbia,
Canada, V0H 1X0

Primary Examiner—Stacia Cadmus
Attorney, Agent, or Firm—Antony C. Edwards

[**] Term: **14 Years**

[57] **CLAIM**

The ornamental design for a tire cover, as shown and described.

[21] Appl. No.: **29/099,184**

[22] Filed: **Jan. 15, 1999**

DESCRIPTION

[51] LOC (7) Cl. **12-16**

[52] U.S. Cl. **D12/202**

[58] Field of Search D12/204–213,
D12/153, 202; 301/64.1, 65, 37.1

FIG. 1 is a right side perspective view of a tire cover showing my new design;

FIG. 2 is a reduced perspective view thereof;

FIG. 3 is a reduced side elevational view thereof;

FIG. 4 is a reduced top plan view thereof;

FIG. 5 is a section view taken along lines 5—5 in FIG. 4;

FIG. 6 is an enlarged fragmentary view of the area circled in FIG. 5;

FIG. 7 is a reduced bottom plan view thereof;

FIG. 8 is a reduced right side elevational view thereof;

FIG. 9 is a reduced left side elevational view thereof;

FIG. 10 is the cross section view of FIG. 5 with the tire cover shown in its position of use mounted to a tire and wheel hub; and,

FIG. 11 is an enlarged fragmentary view of the area circled in FIG. 10.

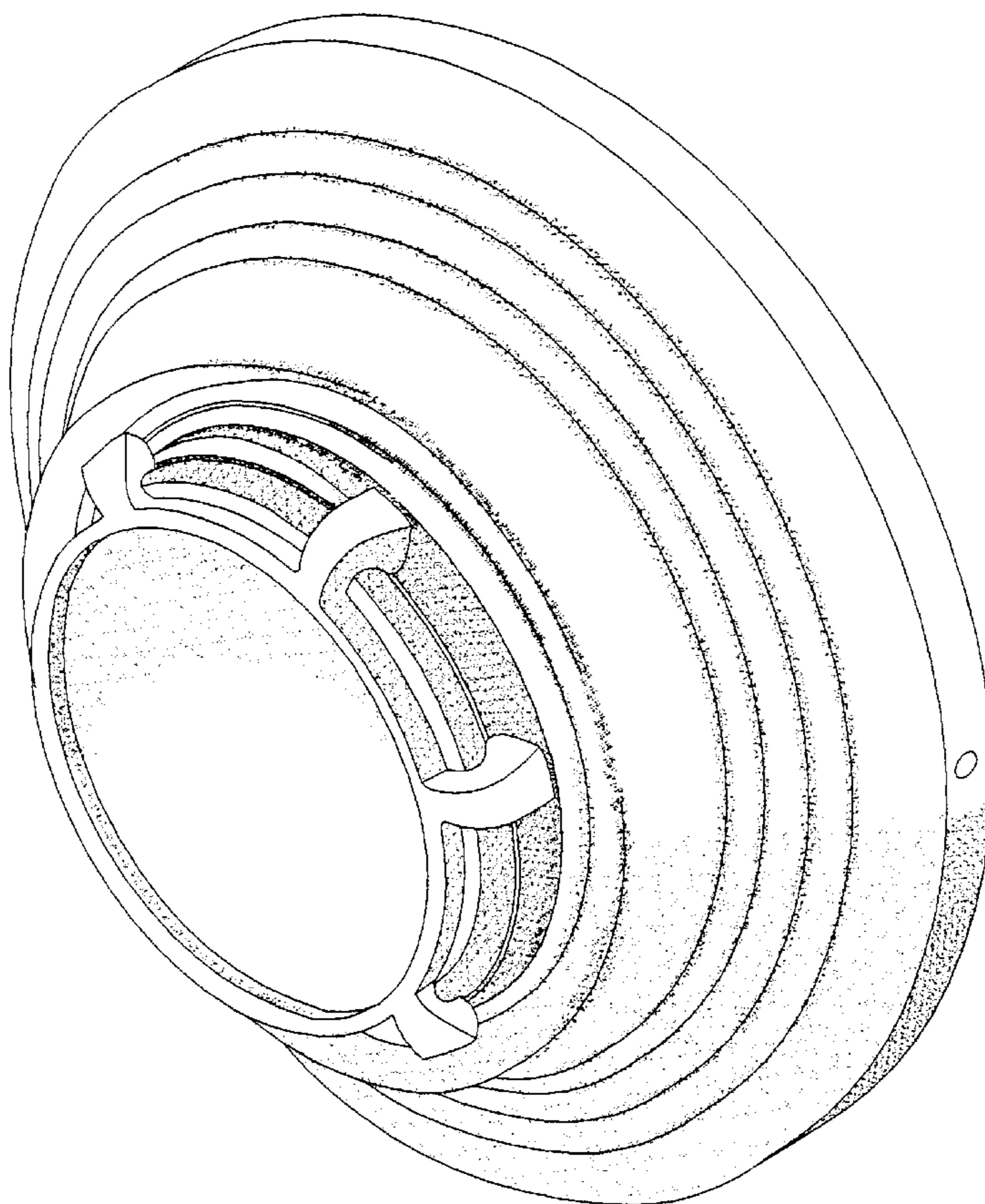
The broken line showing of environment is for illustrative purposes only and forms no part of the claimed design.

[56] References Cited

U.S. PATENT DOCUMENTS

| | | | | |
|------------|---------|---------------|-------|----------|
| D. 175,925 | 11/1955 | Bannister | | D12/213 |
| D. 338,185 | 8/1993 | Dowd | | D12/213 |
| D. 338,867 | 8/1993 | Teufel | | D12/204 |
| D. 340,439 | 10/1993 | Carbone | | D12/213 |
| D. 377,162 | 1/1997 | Maynard | | D12/213 |
| D. 377,332 | 1/1997 | Cruz, III | | D12/213 |
| D. 379,171 | 5/1997 | Hope et al. | | D12/213 |
| D. 379,172 | 5/1997 | Hale | | D12/213 |
| D. 389,445 | 1/1998 | Noriega | | D12/211 |
| D. 390,181 | 2/1998 | Morrison | | D12/213 |
| D. 391,912 | 3/1998 | Nikolaevich | | D12/204 |
| D. 402,614 | 12/1998 | Martinez | | D12/213 |
| 4,811,991 | 3/1989 | Moreno et al. | | 301/37.1 |

1 Claim, 5 Drawing Sheets



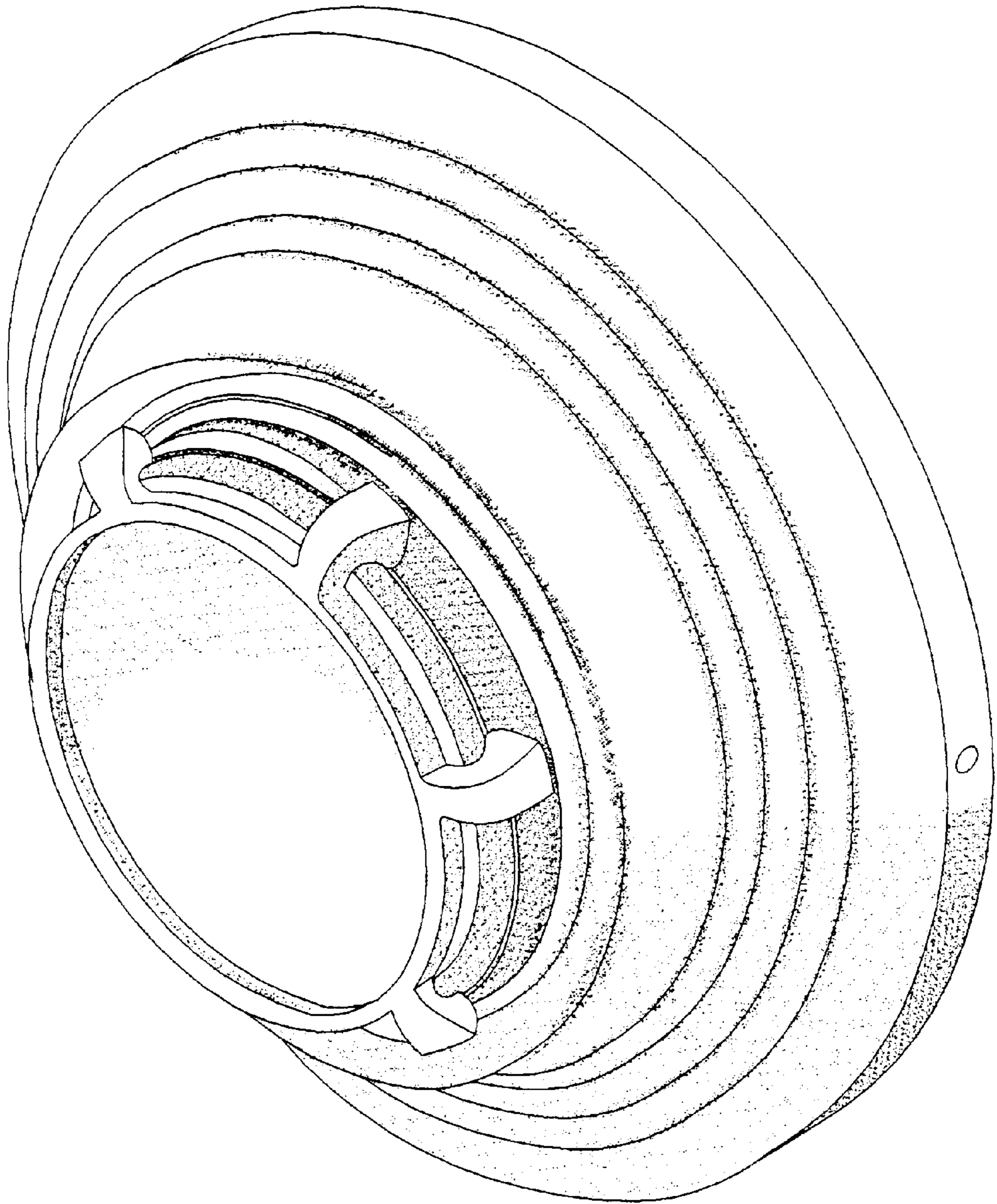


Fig 1

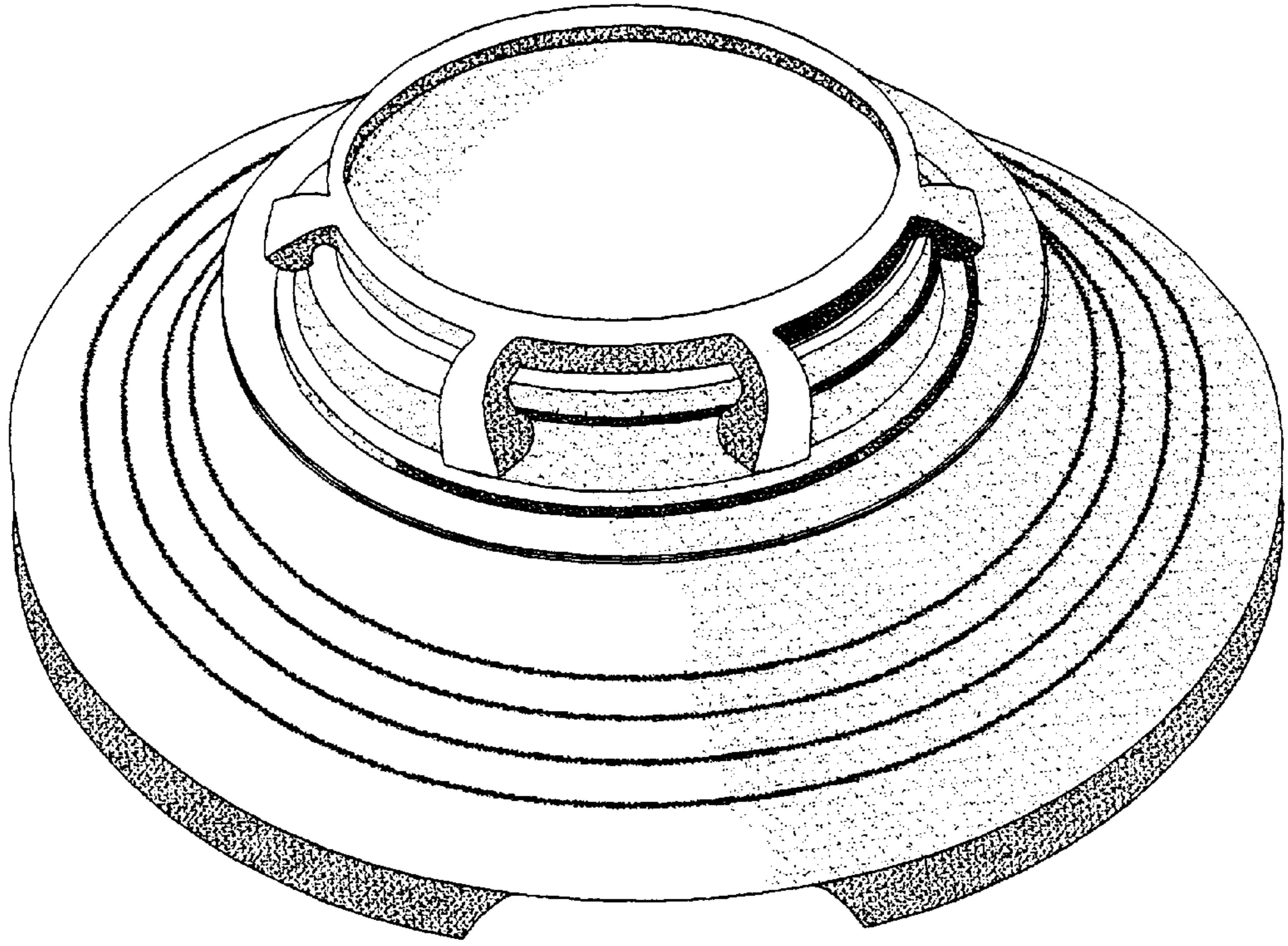


FIG 2

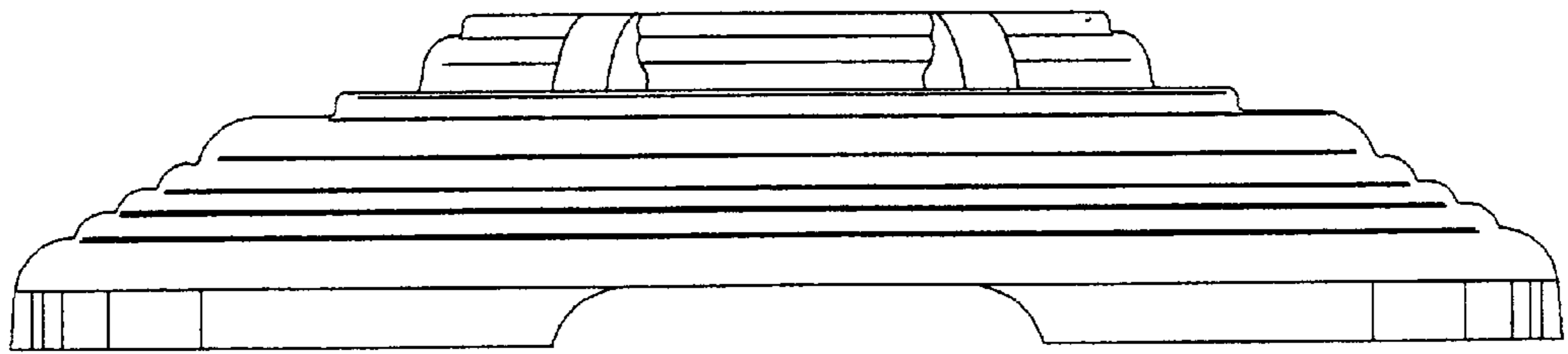


FIG 3

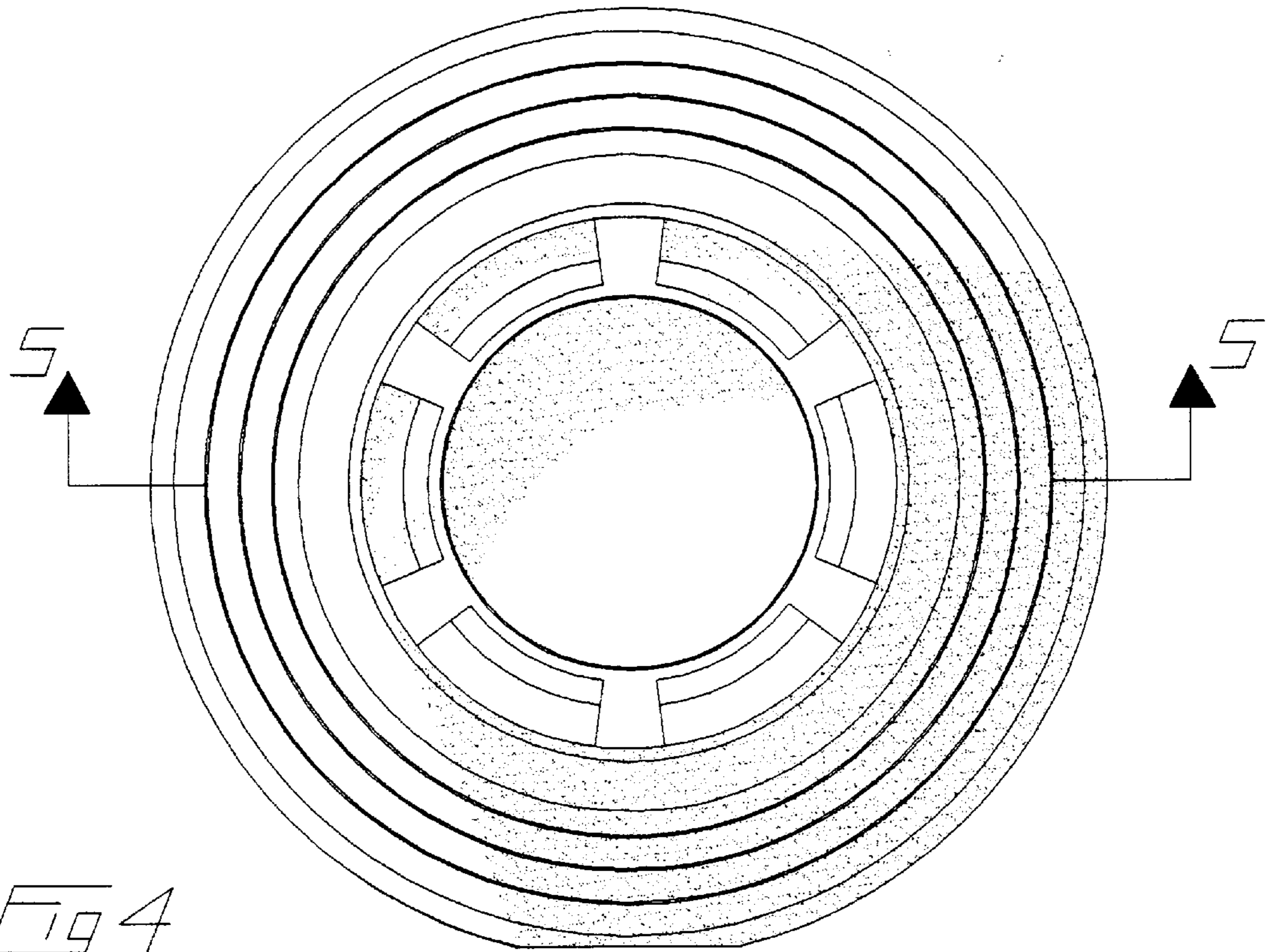


Fig 4

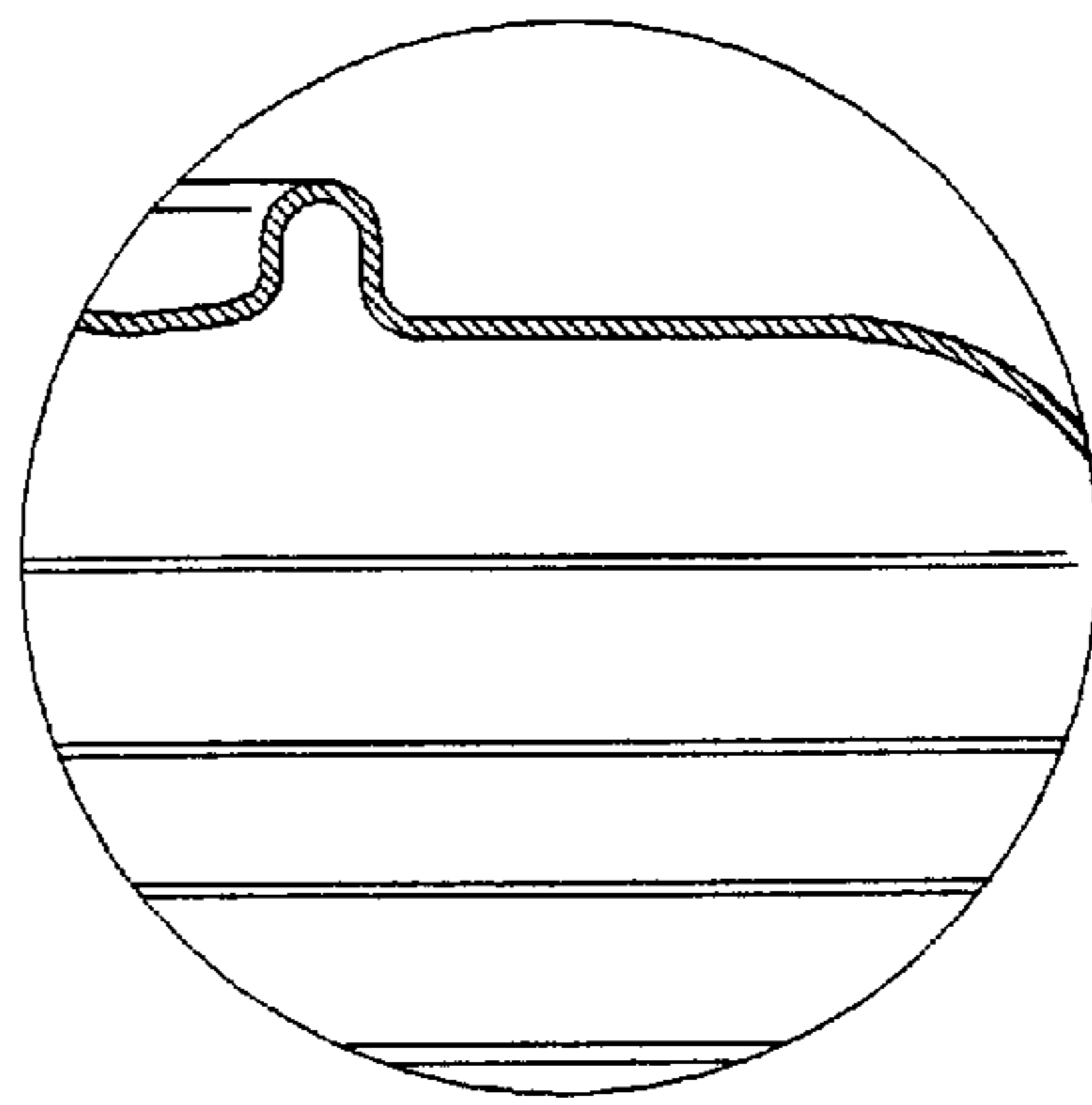
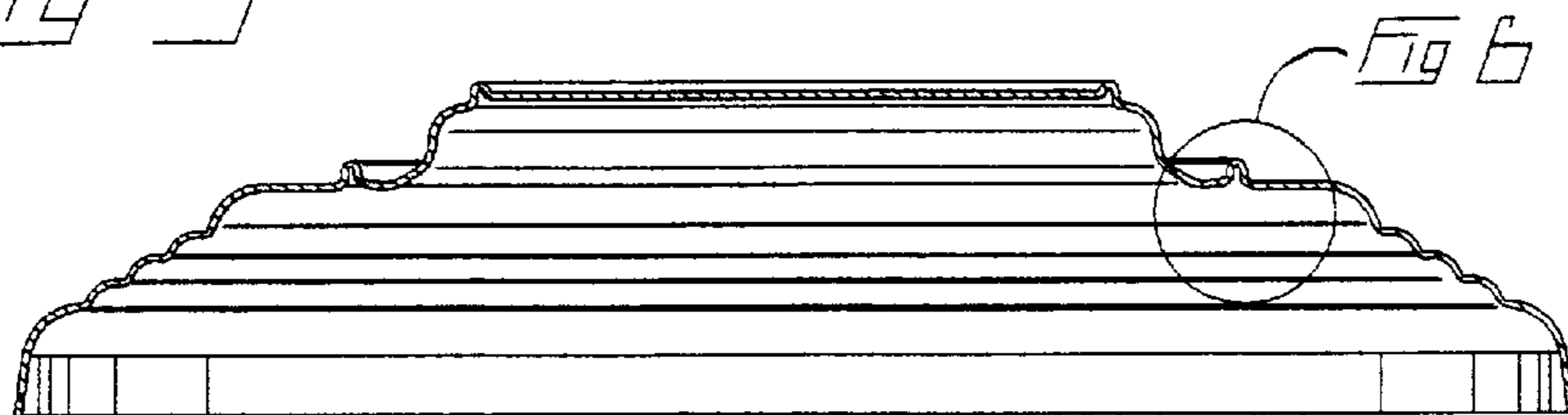
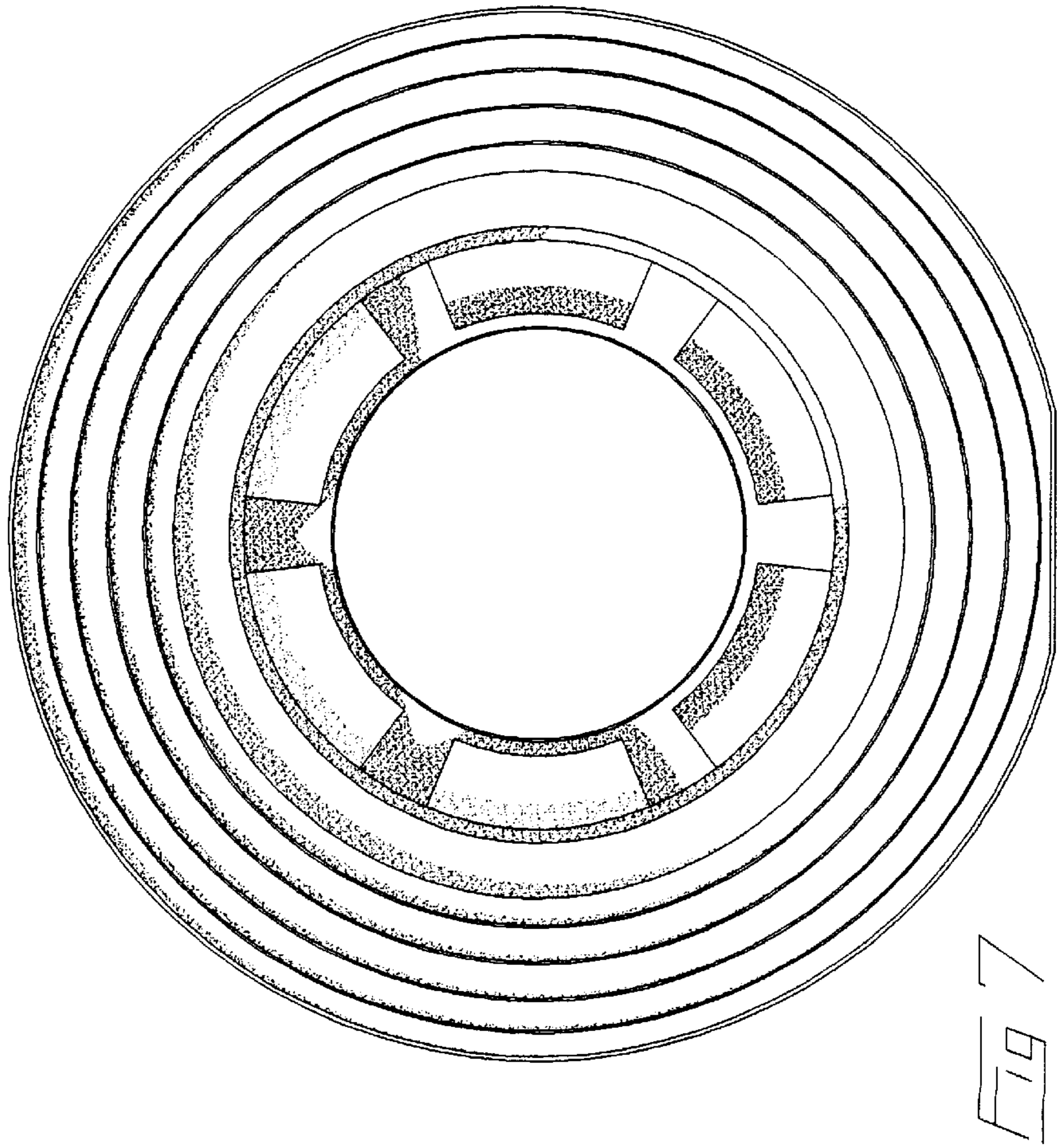
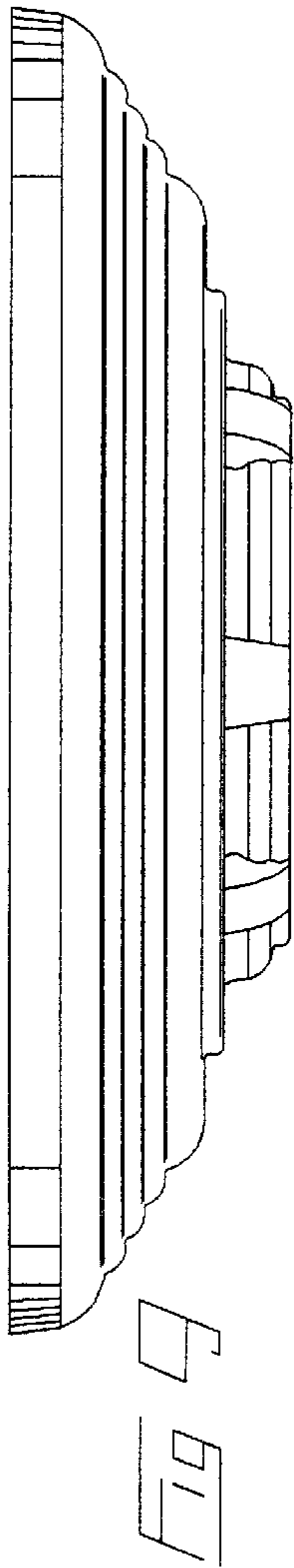
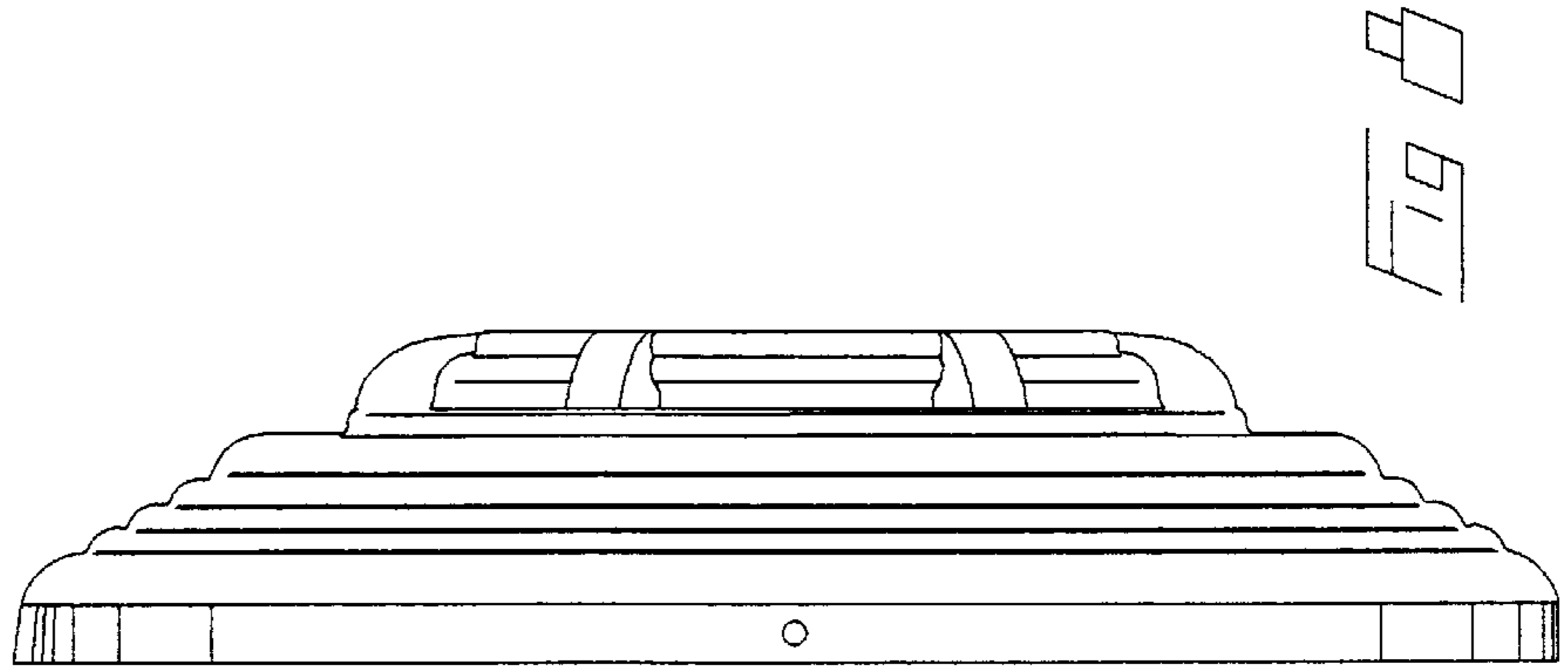


Fig 6

Fig 5





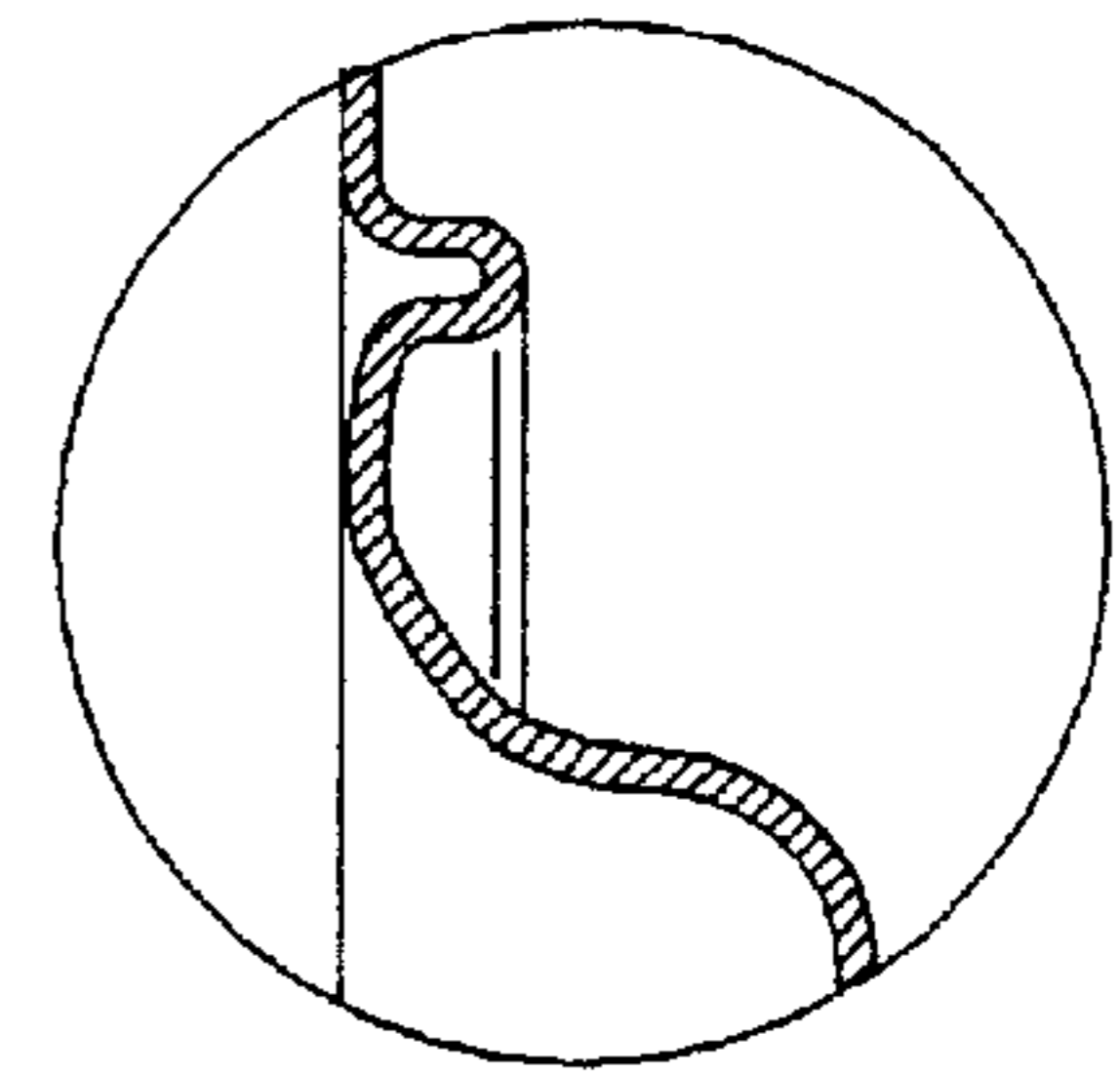
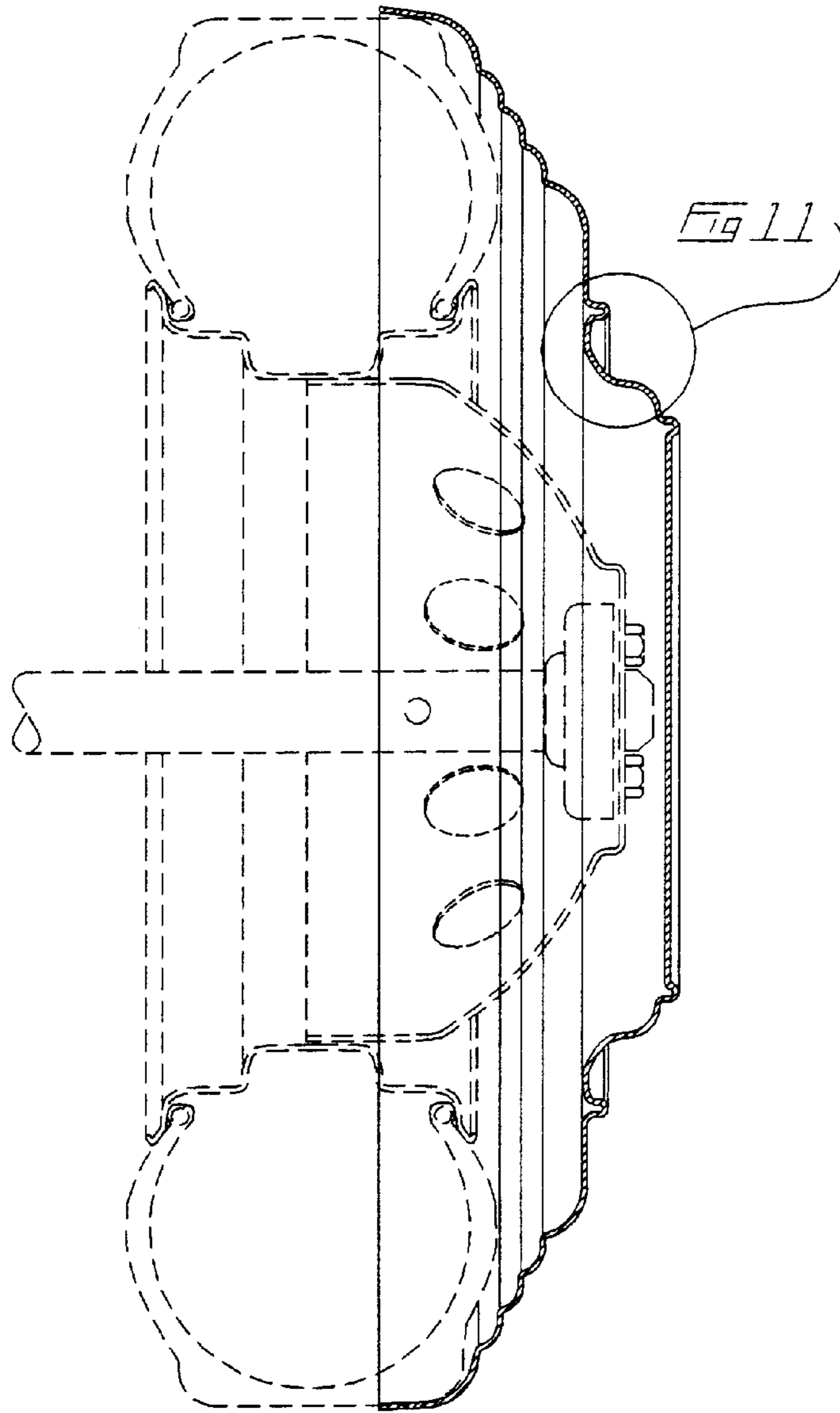


Fig 10

Fig 11