



US00D430837S

United States Patent [19]

[11] Patent Number: Des. 430,837

Kitamura et al.

[45] Date of Patent: ** Sep. 12, 2000

[54] RADIATOR GRILL OF A MOTOR VEHICLE

[75] Inventors: Eiji Kitamura, Hiroshima; Tsuyoshi Toyoda; Yutaka Shimazu, both of Aki-gun; Satoru Akana, Hiroshima, all of Japan

[73] Assignee: Mazda Motor Corporation, Hiroshima-ken, Japan

[**] Term: 14 Years

[21] Appl. No.: 29/111,086

[22] Filed: Sep. 20, 1999

Related U.S. Application Data

[62] Division of application No. 29/097,179, Nov. 30, 1998.

[51] LOC (7) Cl. 12-16

[52] U.S. Cl. D12/163

[58] Field of Search D12/163, 169, D12/90-92; 180/68.6, 68.1, 69.21; 293/102, 115

[56] References Cited

U.S. PATENT DOCUMENTS

D. 307,124	4/1990	Hayashi et al.	D12/163
D. 312,606	12/1990	Guelfi et al.	D12/163
D. 361,968	9/1995	Oyama	D12/163
D. 366,859	2/1996	Davis, Jr.	D12/163
D. 400,836	11/1998	Reynard et al.	D12/163
D. 403,285	12/1998	Abalos et al.	D12/163
D. 404,697	1/1999	Siltavuori	D12/163
D. 411,493	1/1999	Davis, Jr.	D12/163

FOREIGN PATENT DOCUMENTS

895261	3/1994	Japan .
896204	4/1994	Japan .
896282	4/1994	Japan .

Primary Examiner—Melody N. Brown
Attorney, Agent, or Firm—Sidey & Austin; Hugh A. Abrams

[57] CLAIM

The ornamental design for a radiator grill of a motor vehicle, as shown and described.

DESCRIPTION

FIG. 1 is a perspective view of a radiator grill of a motor vehicle showing our new design; FIG. 2 is a front elevational view thereof; FIG. 3 is a rear elevational view thereof; FIG. 4 is a top plan view thereof; FIG. 5 is a bottom plan view thereof; FIG. 6 is a left side elevational view thereof; FIG. 7 is a right side elevational view thereof; FIG. 8 is an enlarged sectional end view taken along the line 8—8 in FIG. 2; FIG. 9 is an enlarged sectional end view taken along the line 9—9 in FIG. 2; FIG. 10 is an enlarged sectional end view taken along the line 10—10 in FIG. 2; FIG. 11 is an enlarged sectional end view taken along line 11—11 in FIG. 2; FIG. 12 is a perspective view of a radiator grill of a motor vehicle showing a second embodiment of our new design; FIG. 13 is a front elevational view of FIG. 12; FIG. 14 is a rear elevational view of FIG. 12; FIG. 15 is a top plan view of FIG. 12; FIG. 16 is a bottom plan view of FIG. 12; FIG. 17 is a left side elevational view of FIG. 12; FIG. 18 is a right side elevational view of FIG. 12; FIG. 19 is an enlarged sectional view of FIG. 12 taken along the line 19—19 in FIG. 13; FIG. 20 is an enlarged sectional end view of FIG. 12 taken along the line 20—20 in FIG. 13; FIG. 21 is an enlarged sectional end view of FIG. 12 taken along the line 21—21 in FIG. 13; and, FIG. 22 is an enlarged sectional end view of FIG. 12 taken along the line 22—22 in FIG. 13.

The portion of the radiator grill shown in broken lines is for illustrative purpose only and forms no part of the claimed design.

1 Claim, 12 Drawing Sheets

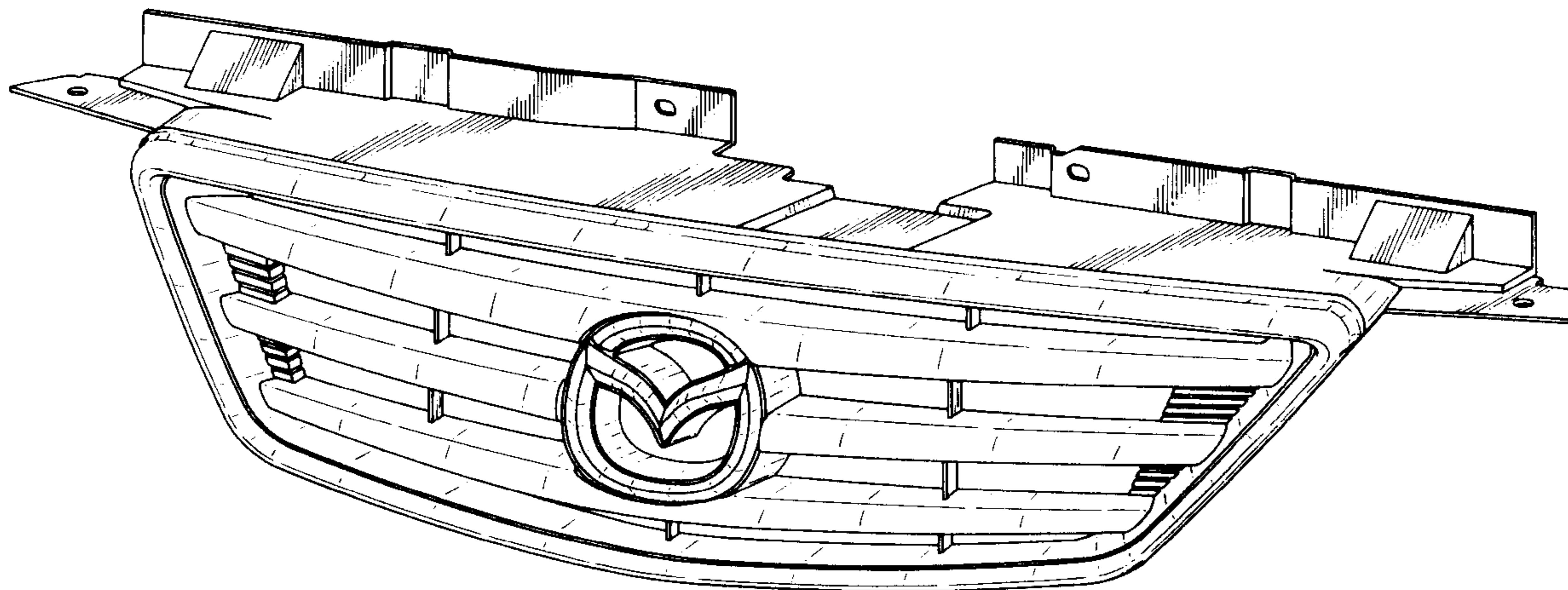


FIG. 1

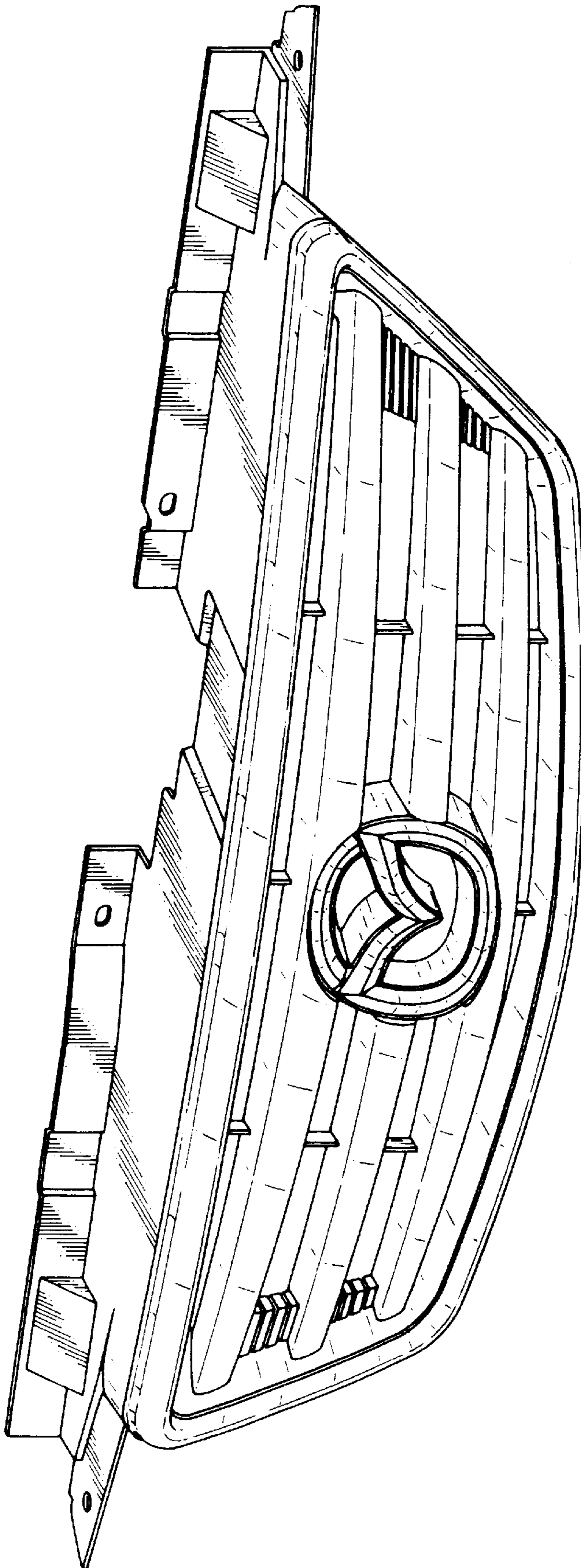


FIG. 2

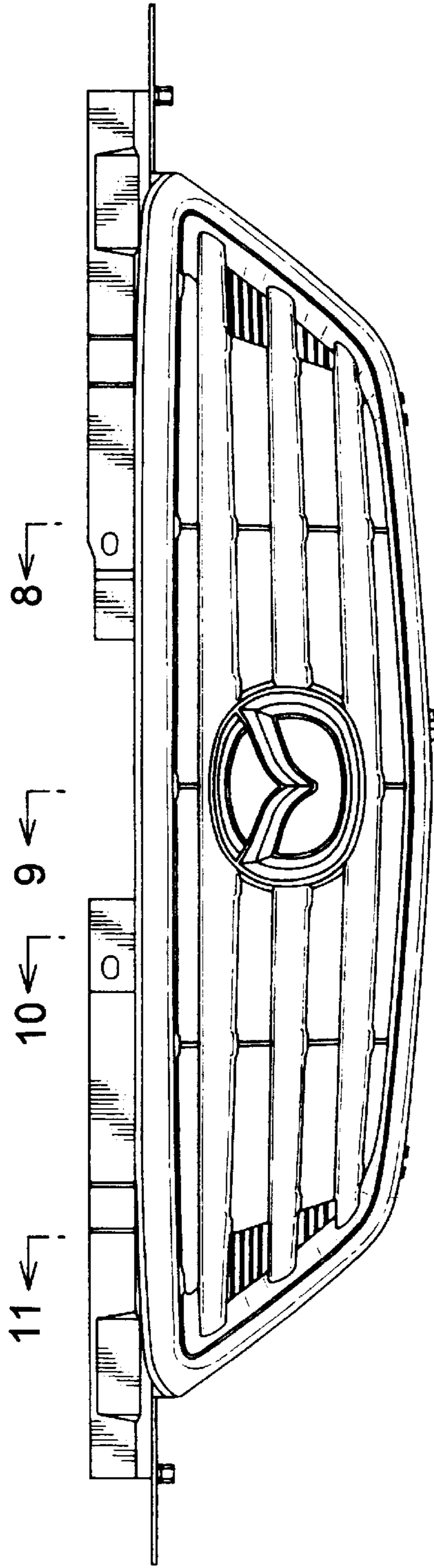


FIG. 3

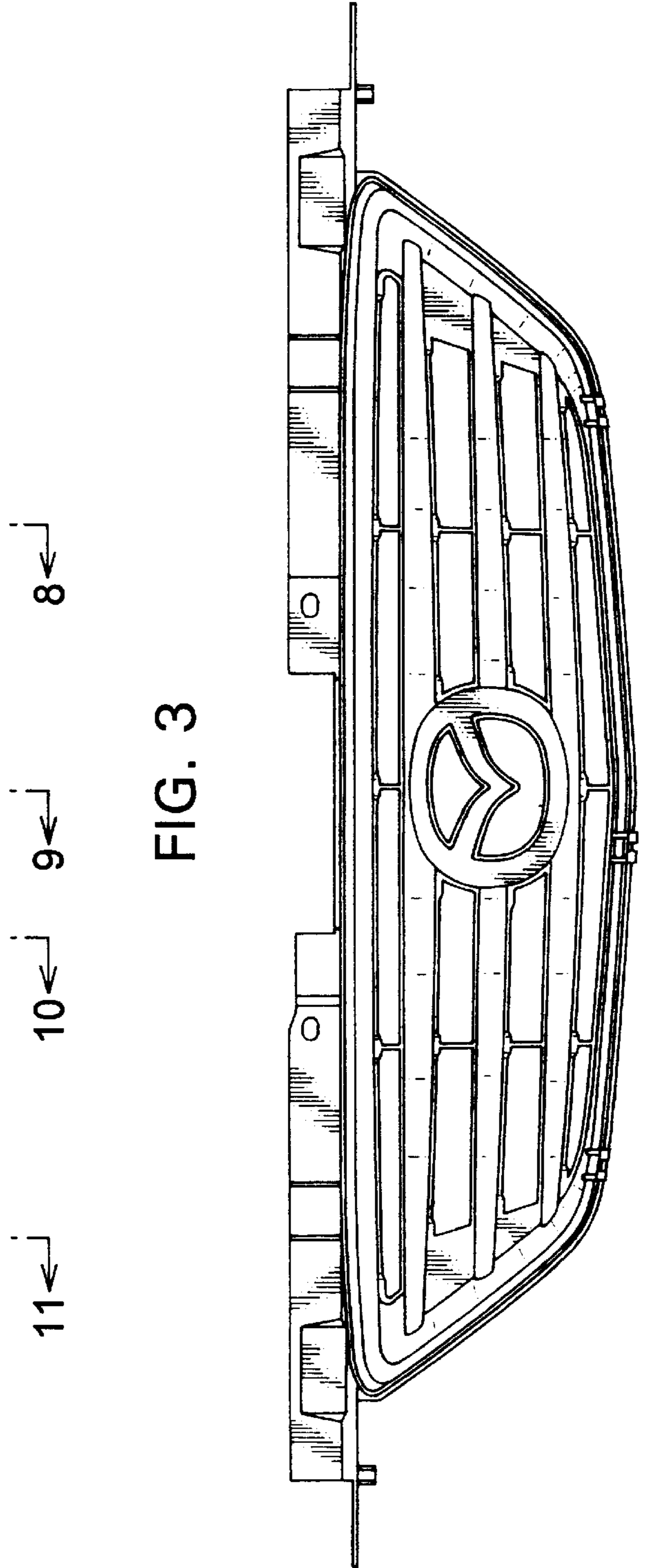


FIG. 4

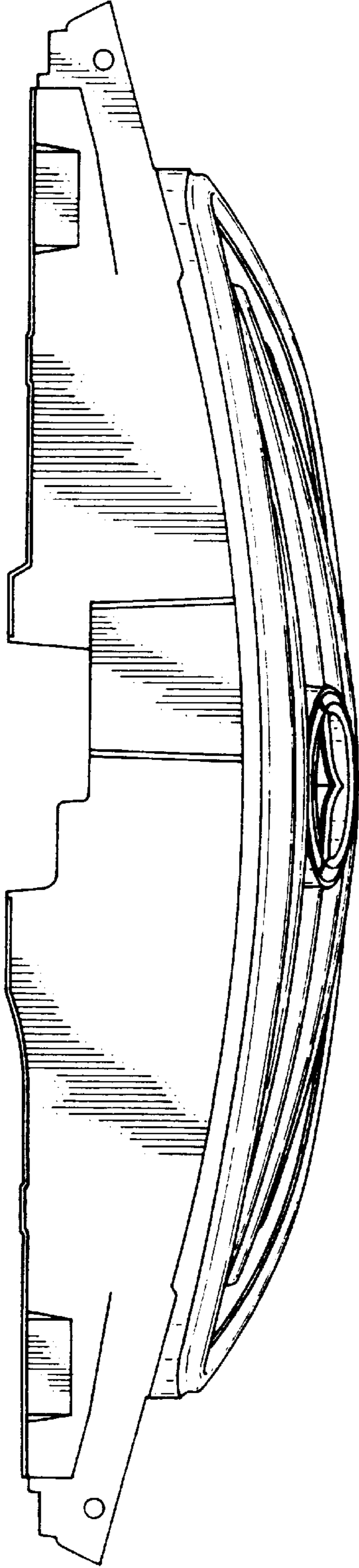


FIG. 5

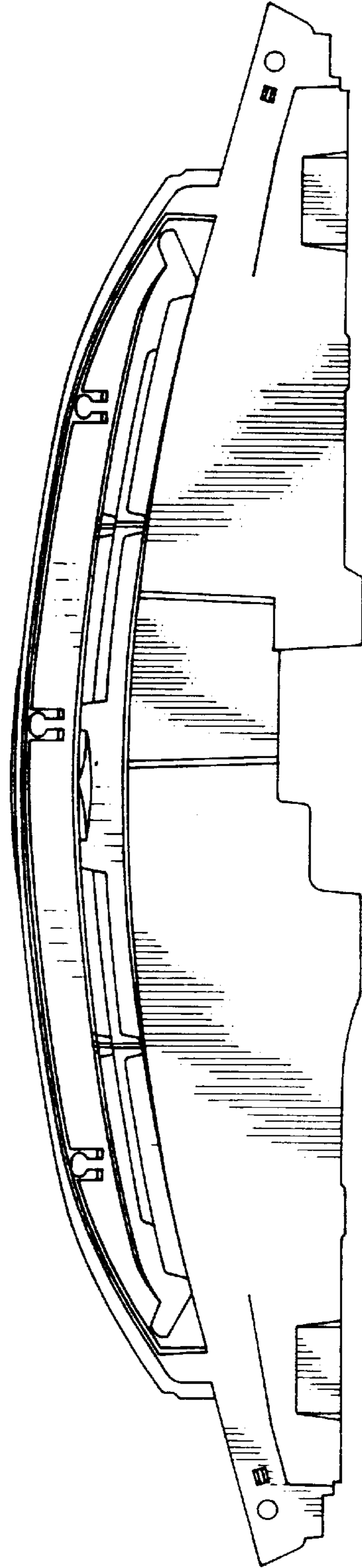


FIG. 7

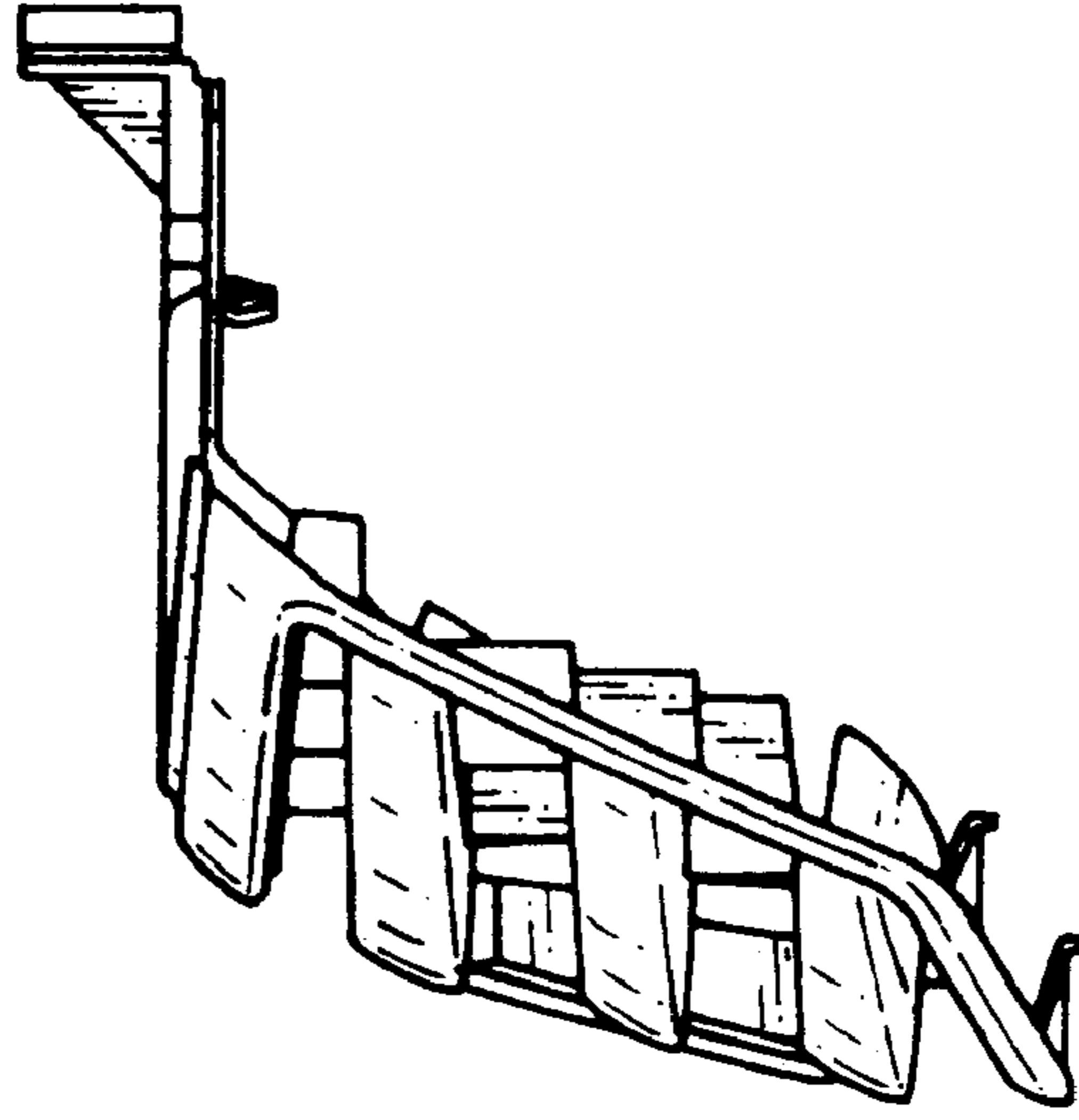


FIG. 6

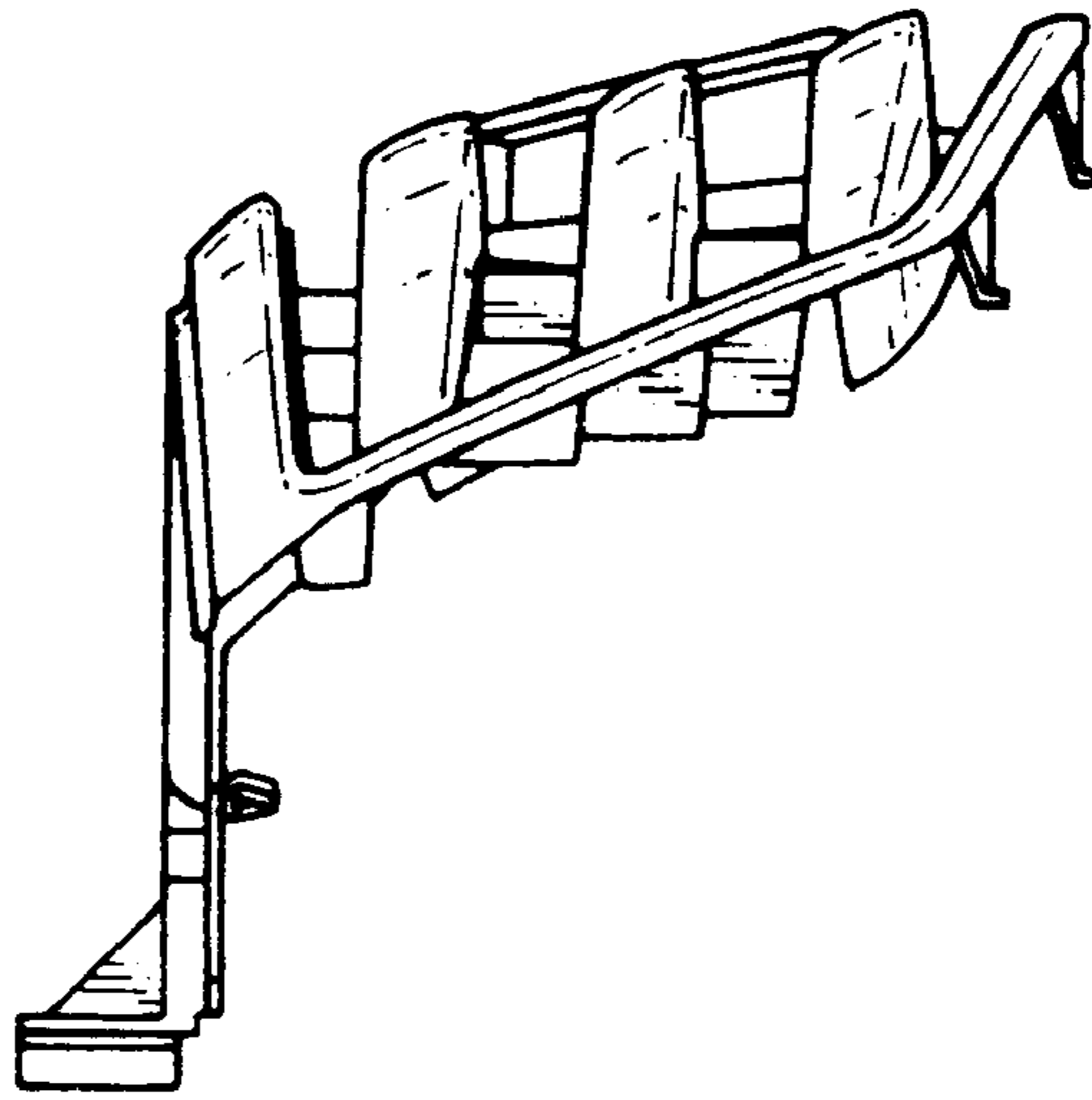


FIG. 8

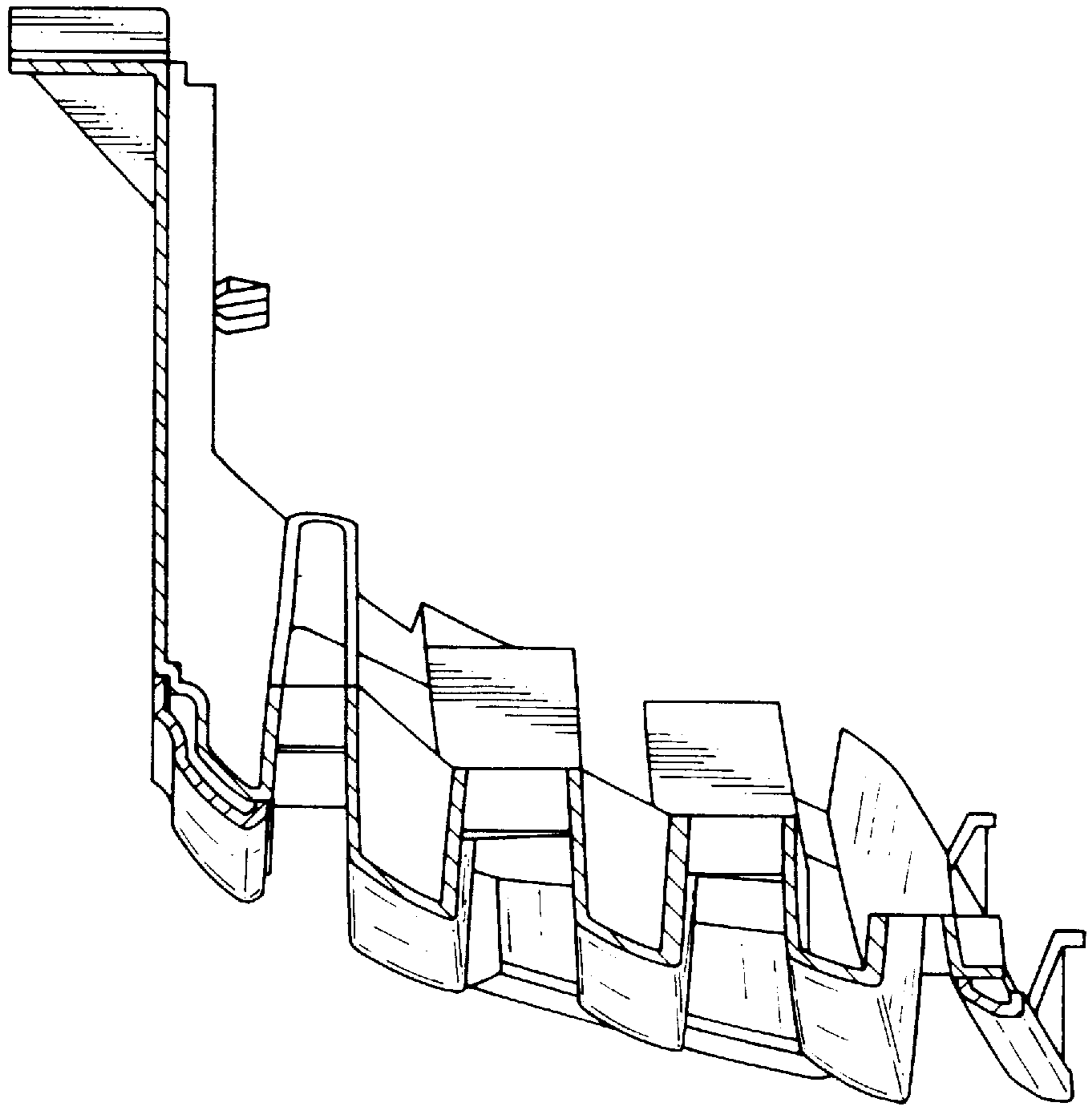


FIG. 9

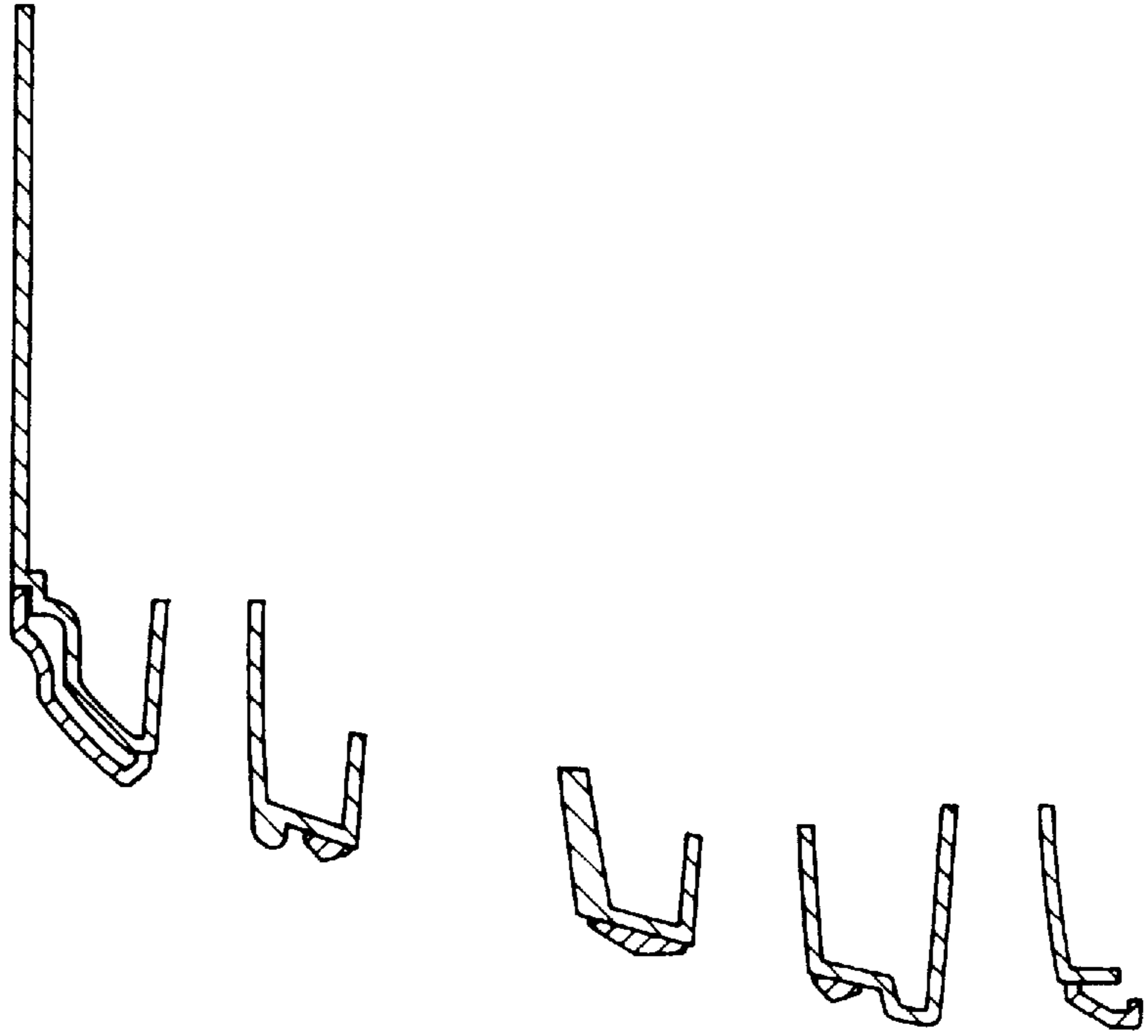


FIG. 11

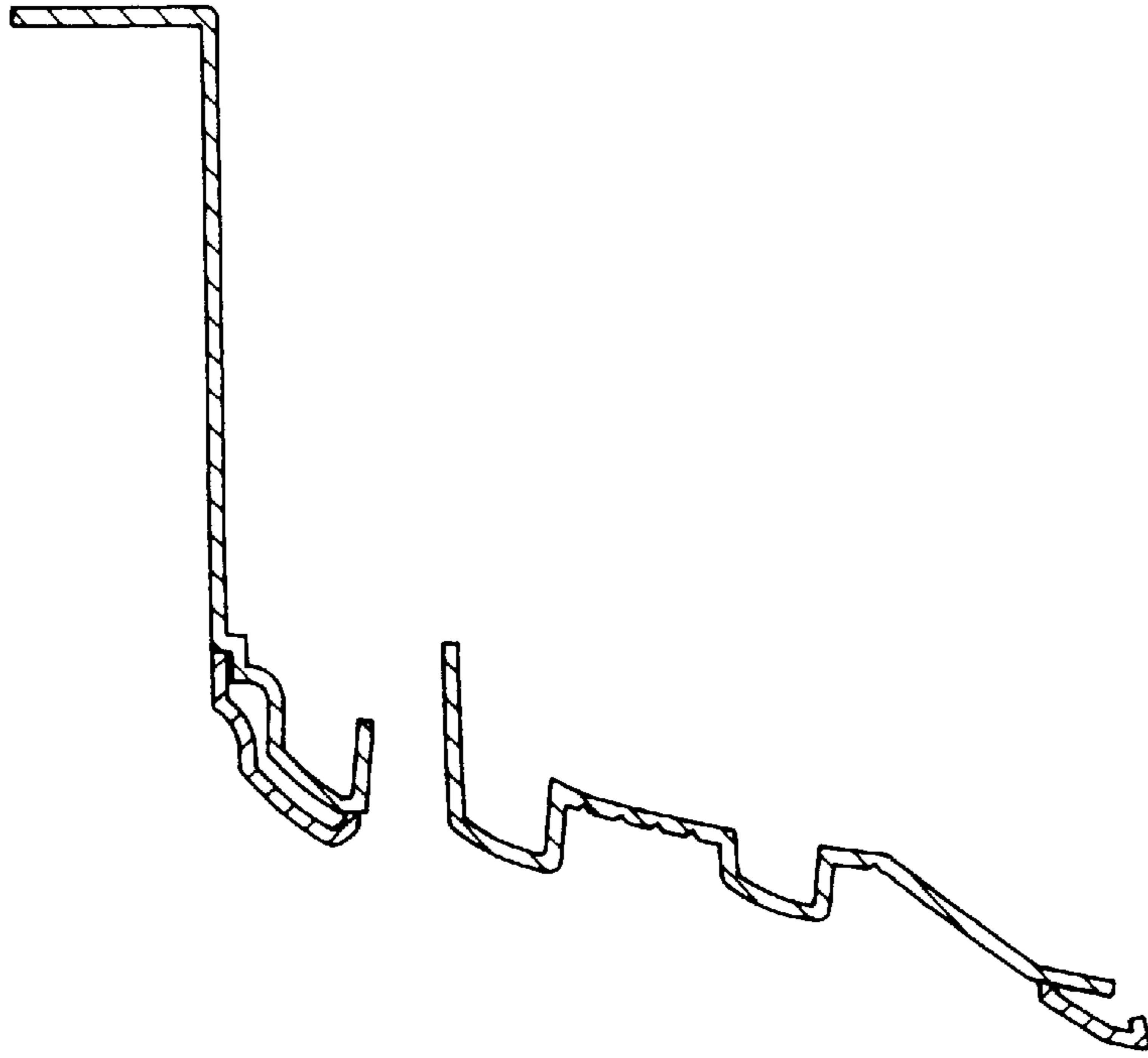


FIG. 10

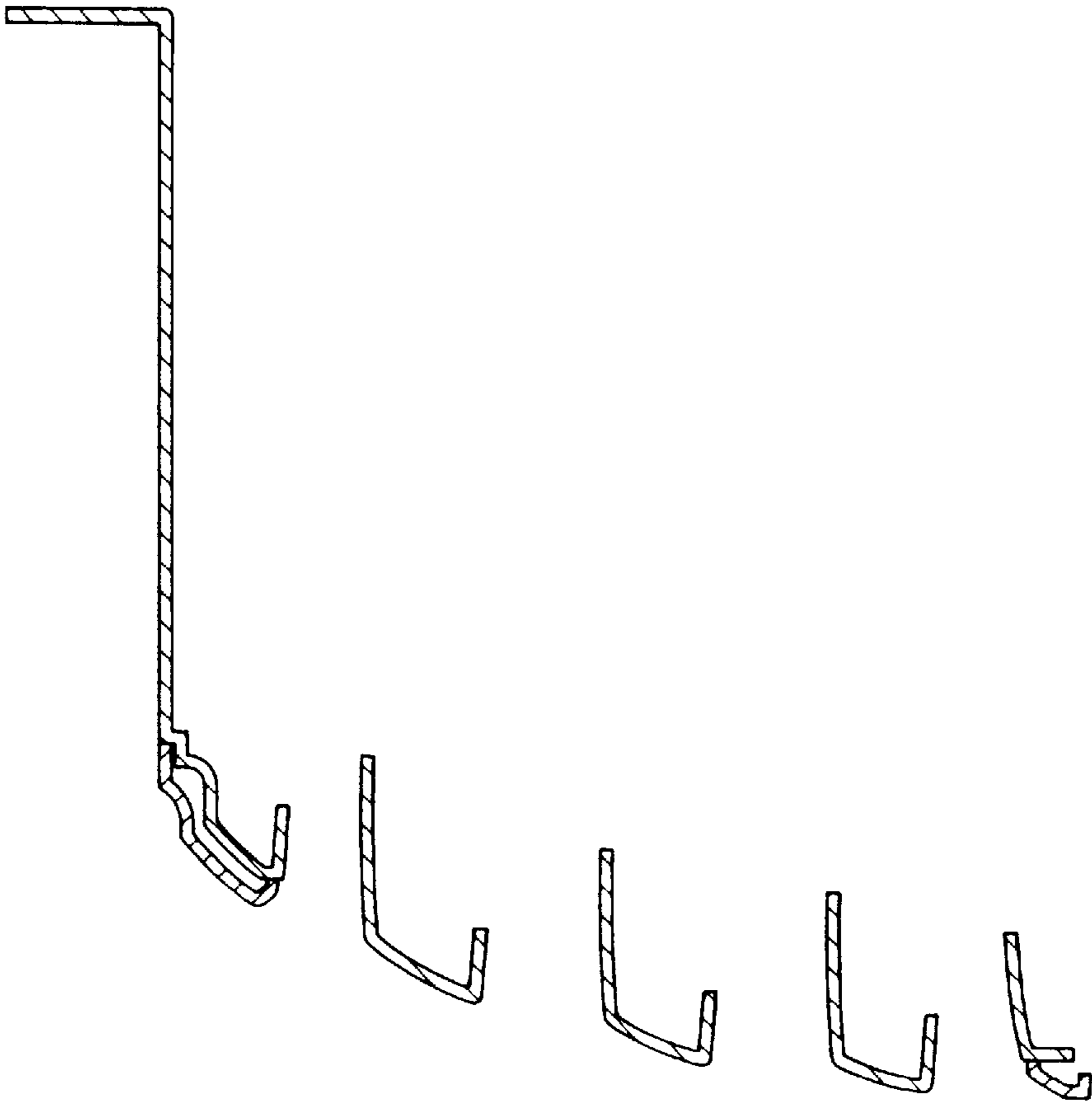


FIG. 12

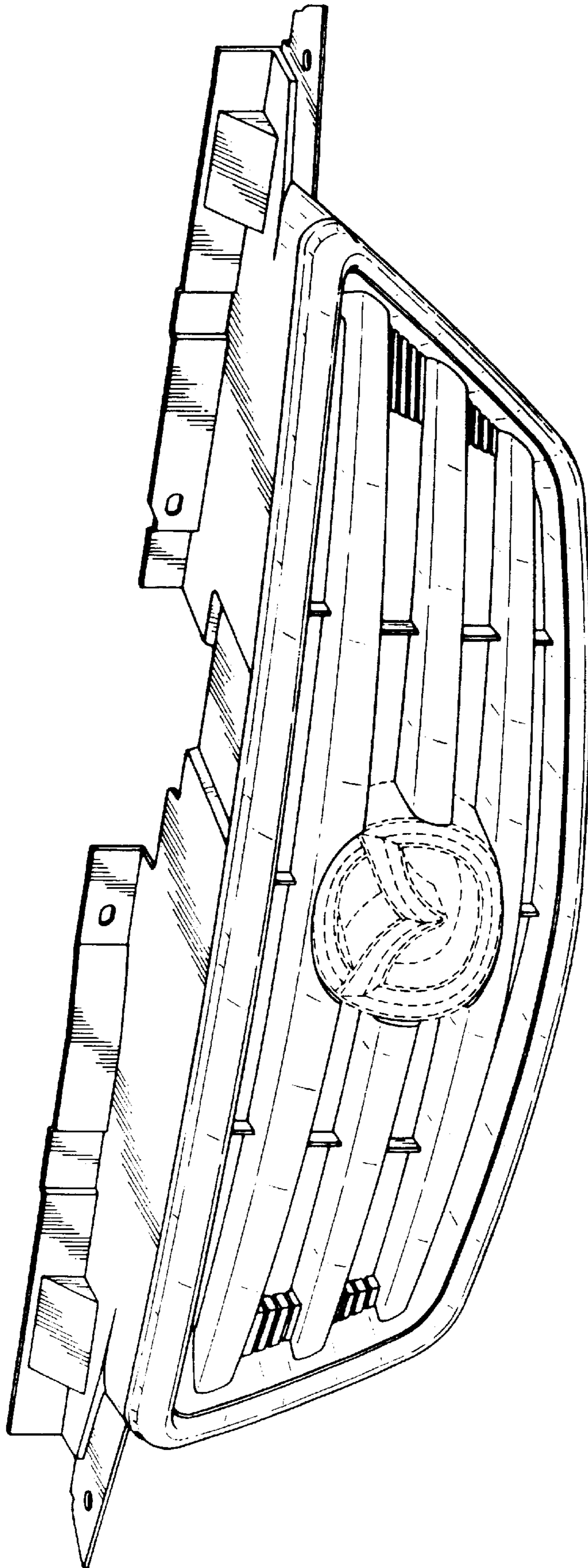


FIG. 13

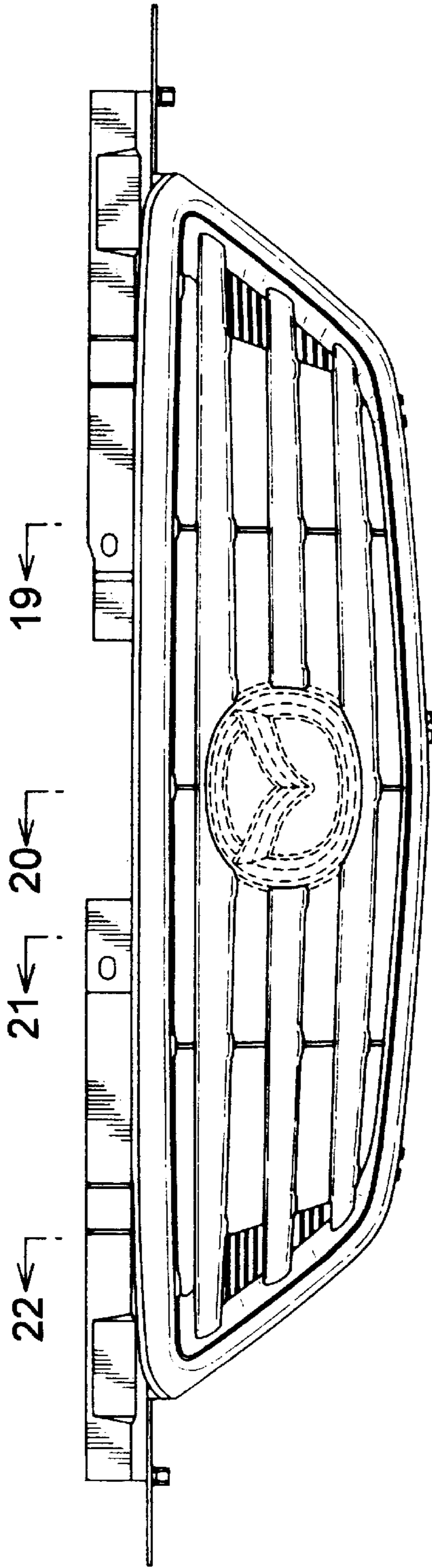


FIG. 14

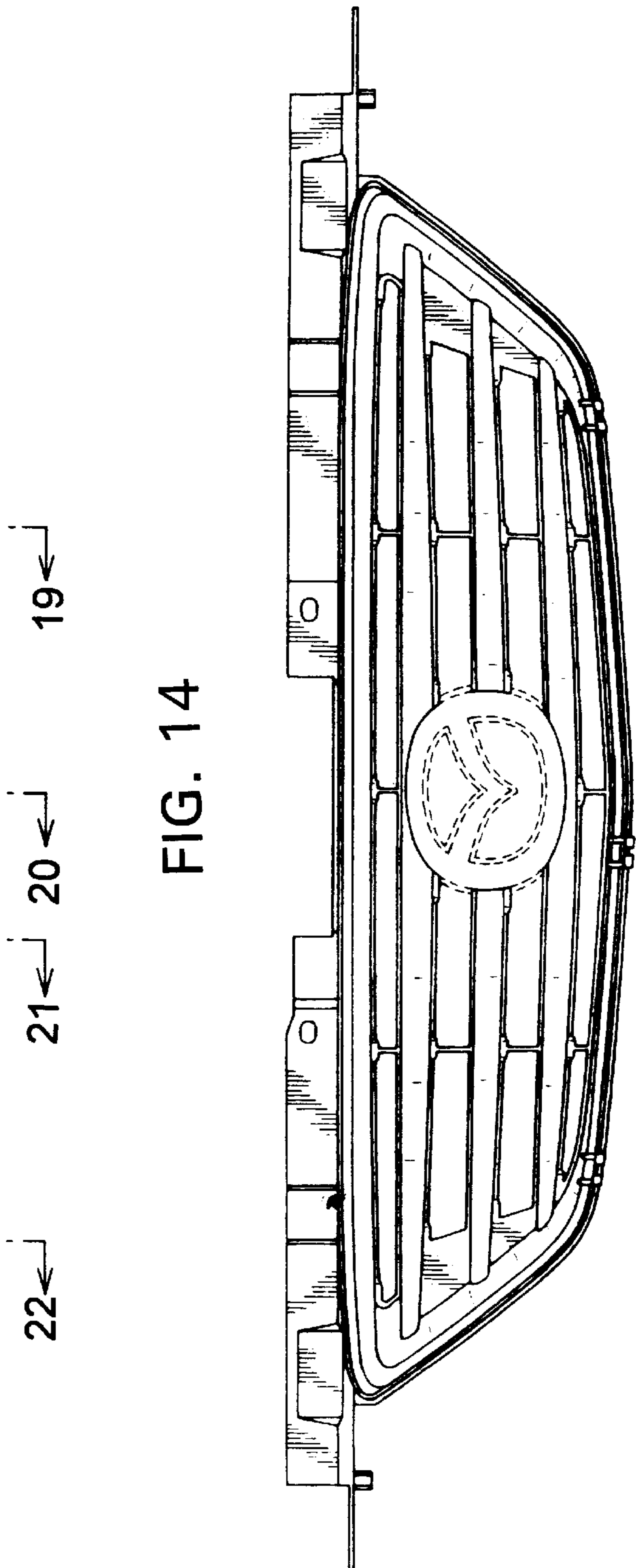


FIG. 15

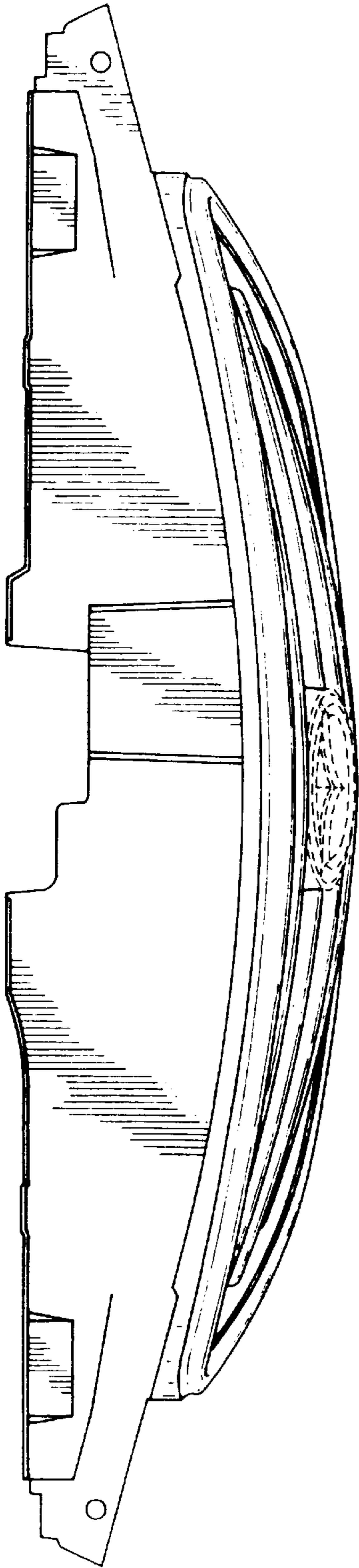


FIG. 16

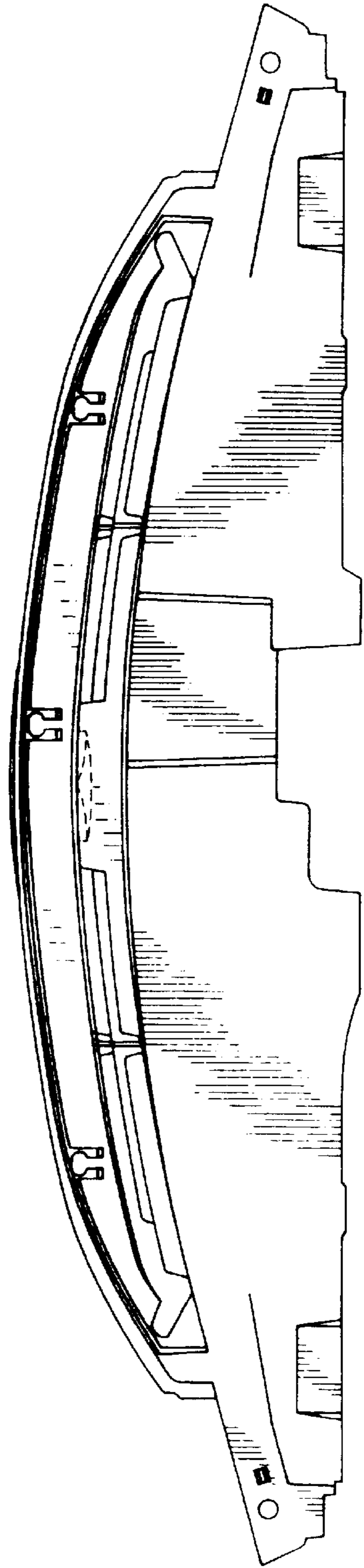


FIG. 18

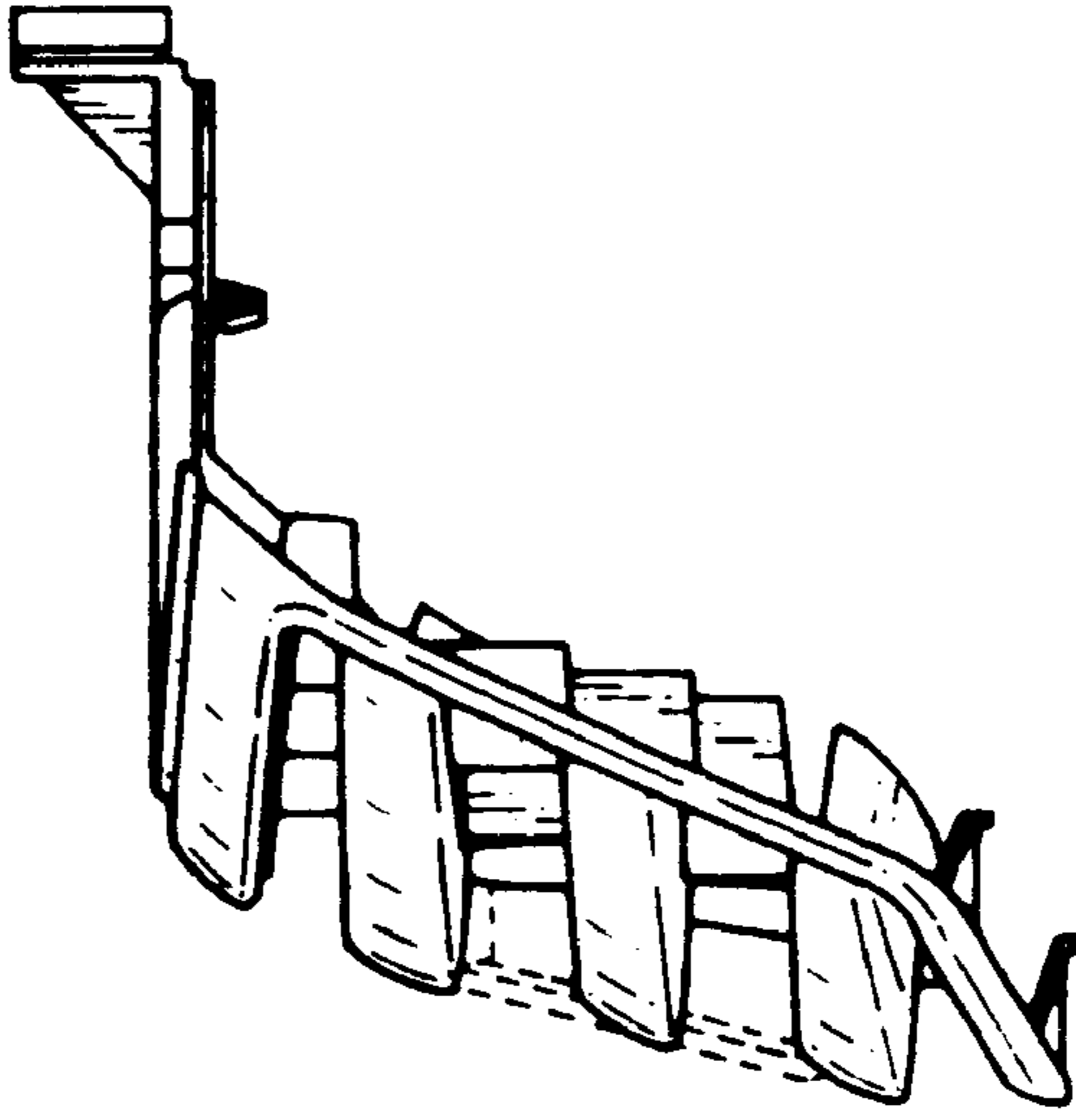


FIG. 17

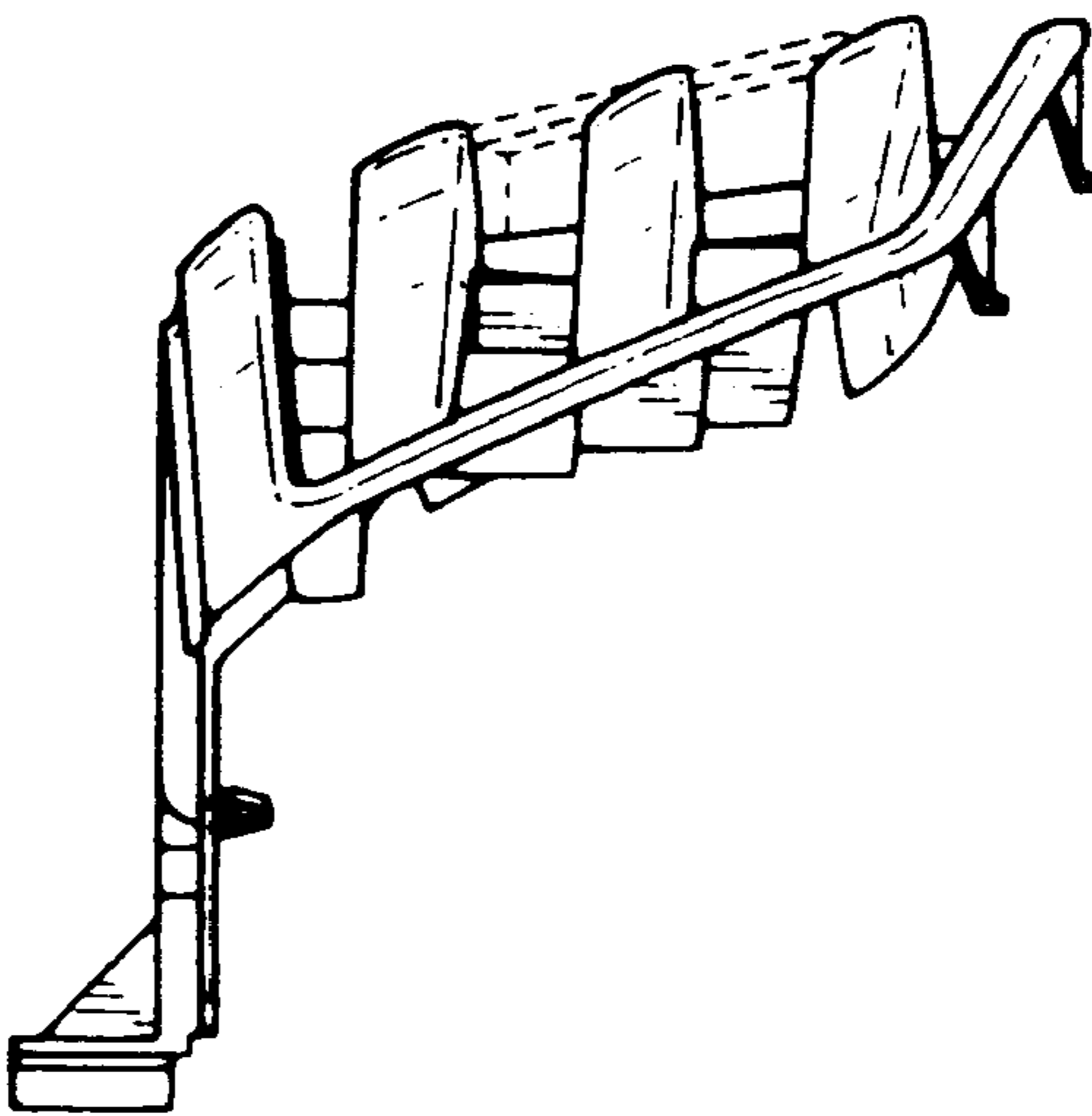


FIG. 20



FIG. 19

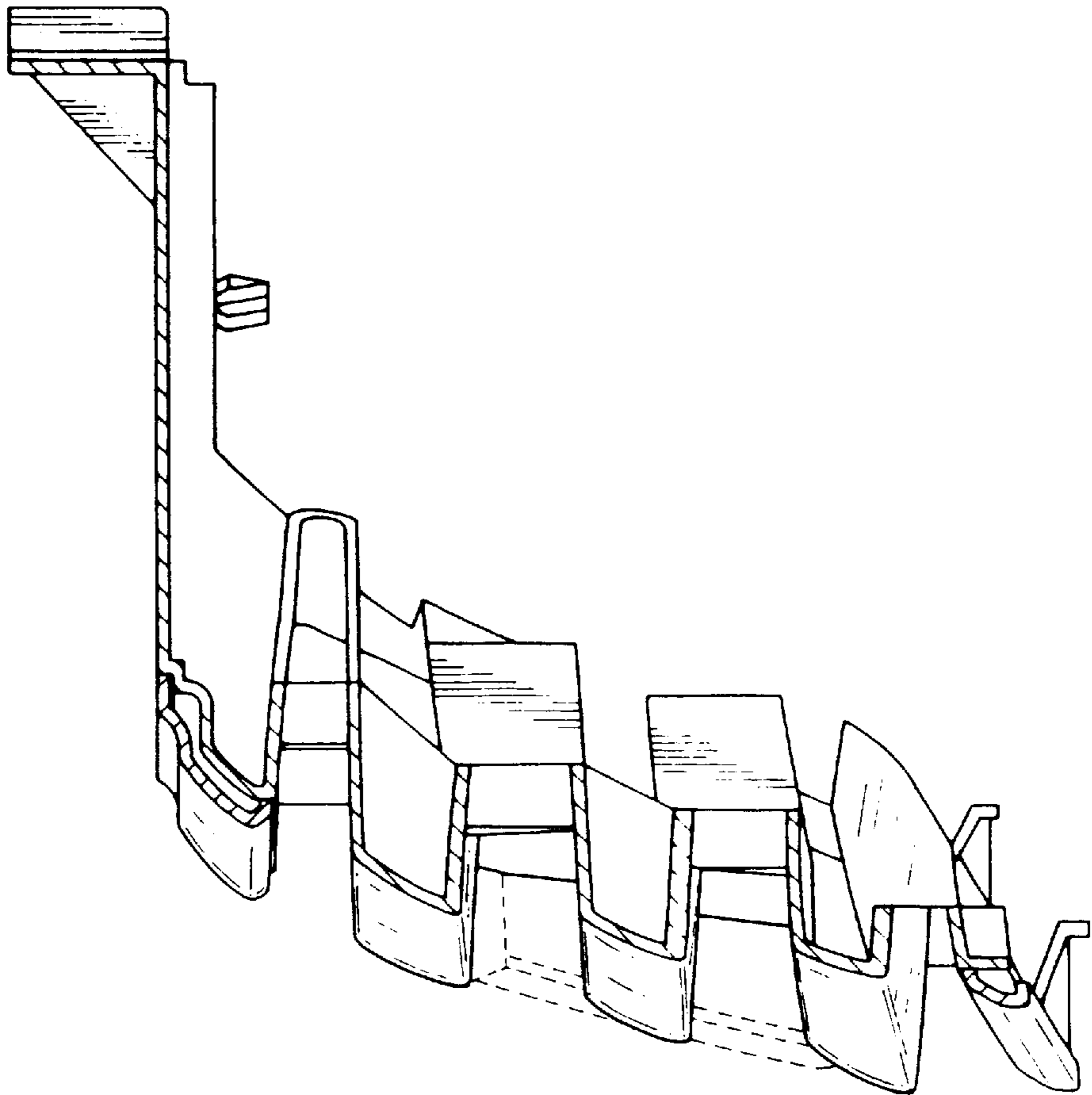


FIG. 22

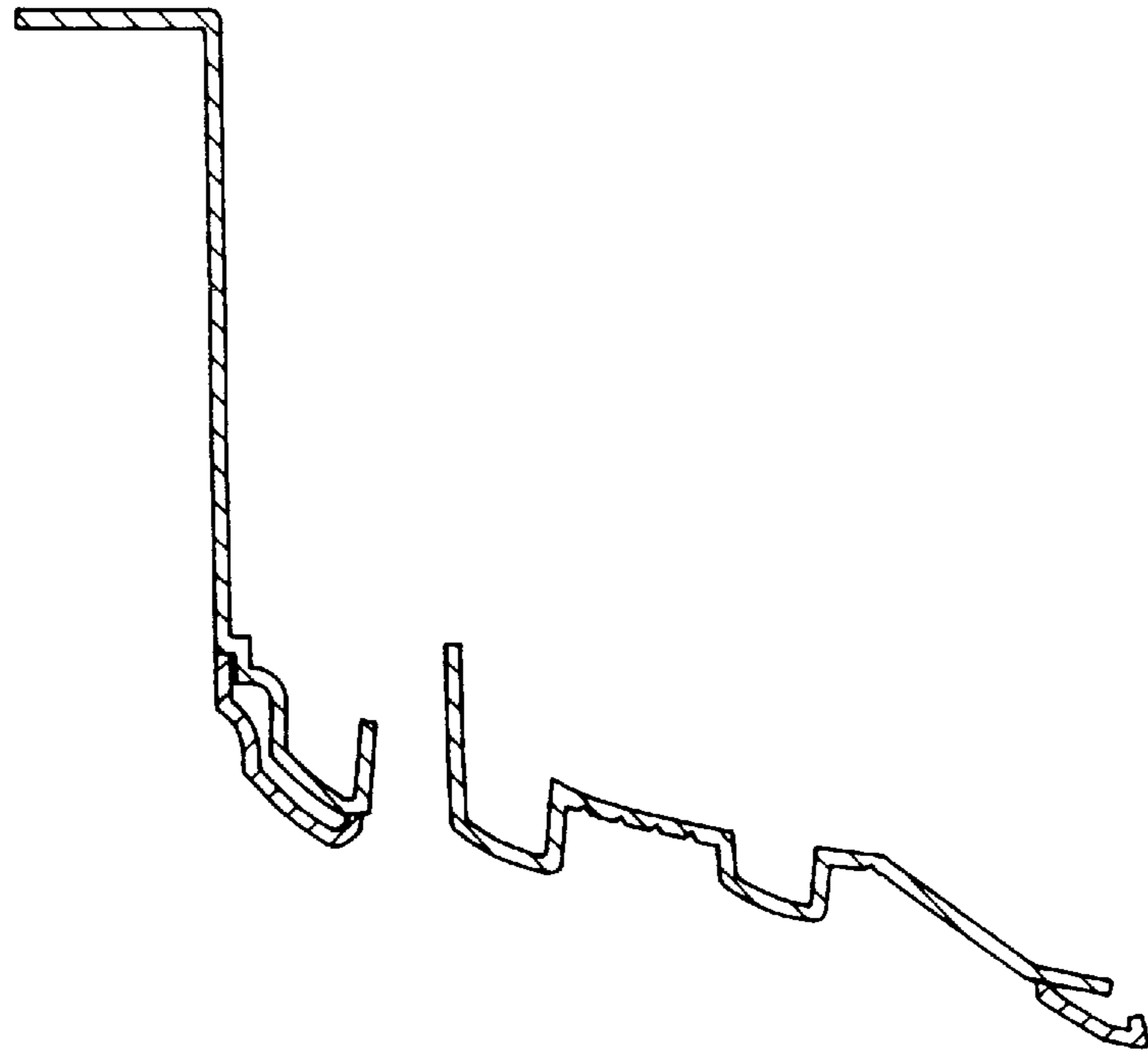


FIG. 21

