



US00D430816S

United States Patent [19] Pomponi

[11] Patent Number: **Des. 430,816**

[45] Date of Patent: **** Sep. 12, 2000**

[54] **CROSS STRUCTURE FOR A SMALL JEWEL, COSTUME JEWELRY, A CHURCH CROSS OR A STATUE**

[76] Inventor: **Oreste Pomponi**, Via Donatello, 33 - 00196 Rome, Italy

[**] Term: **14 Years**

[21] Appl. No.: **29/098,891**

[22] Filed: **Jan. 8, 1999**

[51] **LOC (7) Cl.** **11-03**

[52] **U.S. Cl.** **D11/96; D11/131**

[58] **Field of Search** **D11/1, 2, 7, 40, D11/43-48, 61, 62, 79-85, 95-101, 116, 13, 131**

[56] **References Cited**

U.S. PATENT DOCUMENTS

D. 213,785	4/1969	Mock	D11/81
D. 247,615	3/1978	Linick	D11/96
D. 250,900	1/1979	Newman	D11/96
D. 329,402	9/1992	Zears	D11/81
D. 338,315	8/1993	Lorson	D11/131

Primary Examiner—Ralf Seifert
Attorney, Agent, or Firm—Stevens, Davis, Miller & Mosher, LLP

[57] **CLAIM**

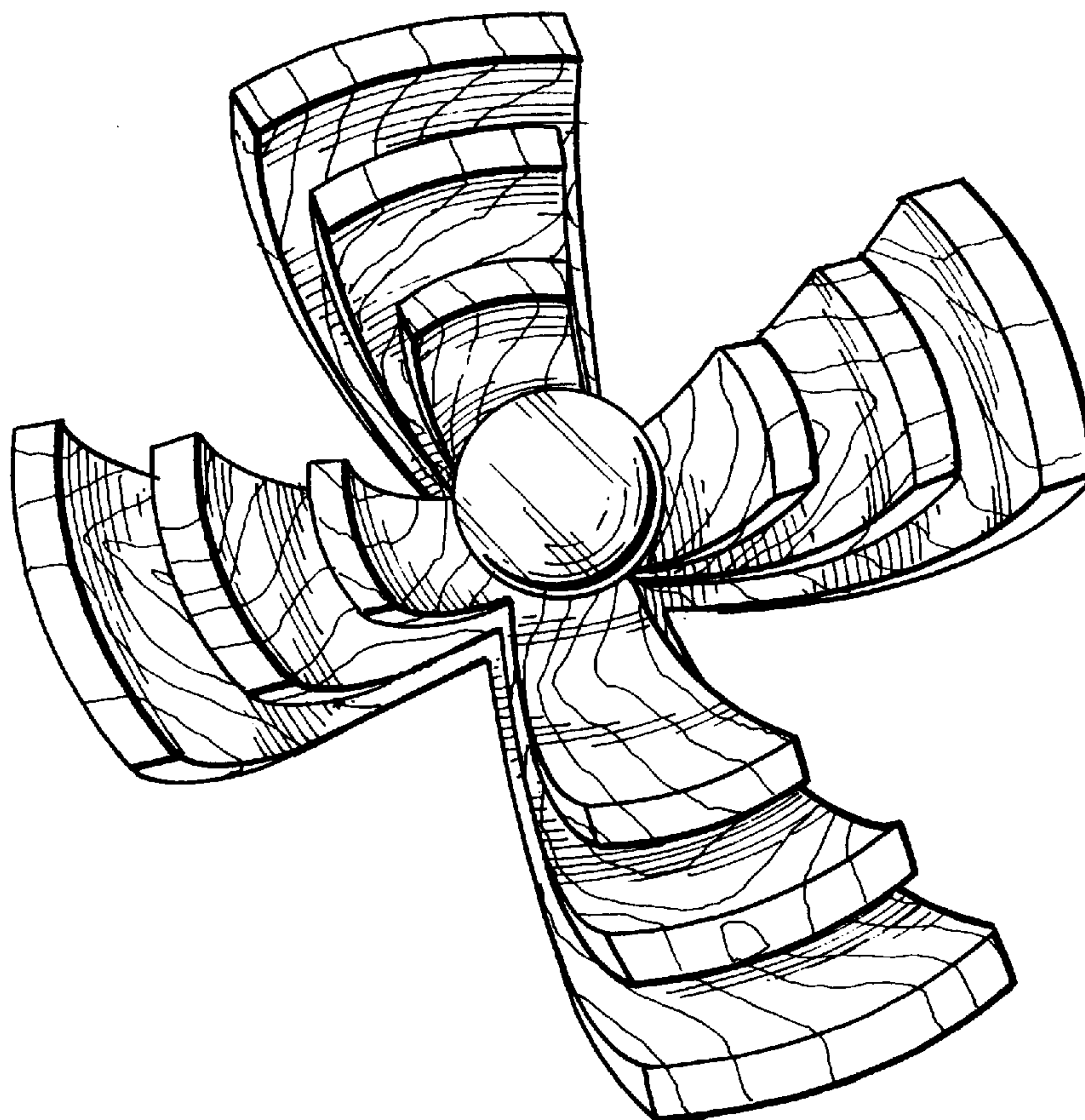
The ornamental design for a cross structure, for a small jewel, costume jewelry, a church cross or a statue as shown and described.

DESCRIPTION

FIG. 1 is a top plan view of a first embodiment of a cross showing the above-identified invention; FIG. 2 is a bottom plan view of the embodiment of FIG. 1; FIG. 3 is a front elevated view of the embodiment of FIG. 1; FIG. 4 is a back elevated view of the embodiment of FIG. 1; FIG. 5 is a right side elevated view of the embodiment of FIG. 1; FIG. 6 is a left side elevated view of the embodiment of FIG. 1; FIG. 7 is a perspective view of a second embodiment of the present invention. FIG. 8 is a perspective view of a third embodiment of the present invention. FIG. 9 is a perspective view of a fourth embodiment of the present invention. FIG. 10 is a perspective view of a fifth embodiment of the present invention; and, FIG. 11 is a perspective view of a sixth embodiment of the present invention.

The inventor disclaims surface indicia or colors in the drawings.

1 Claim, 5 Drawing Sheets



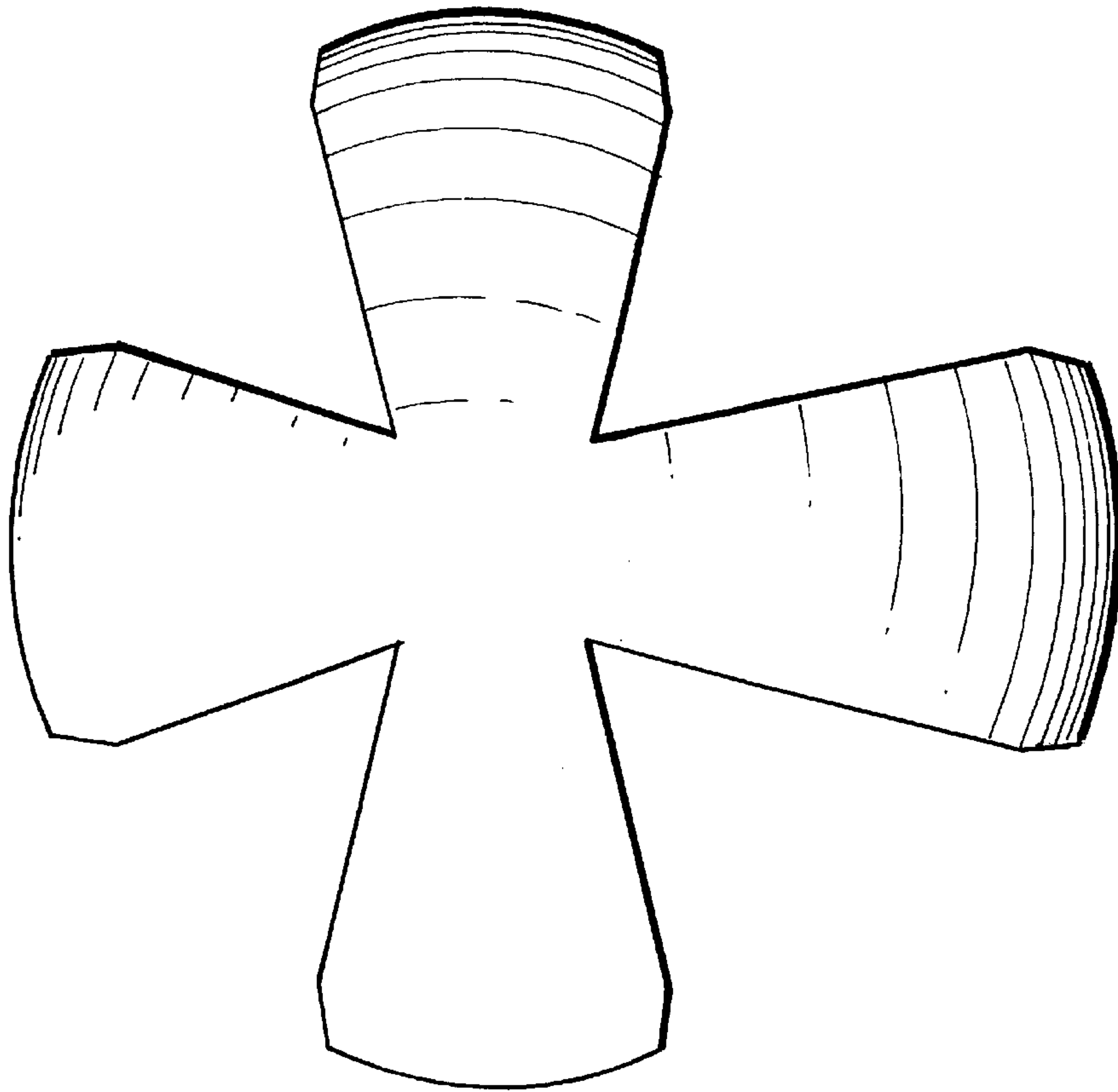


FIG. 2

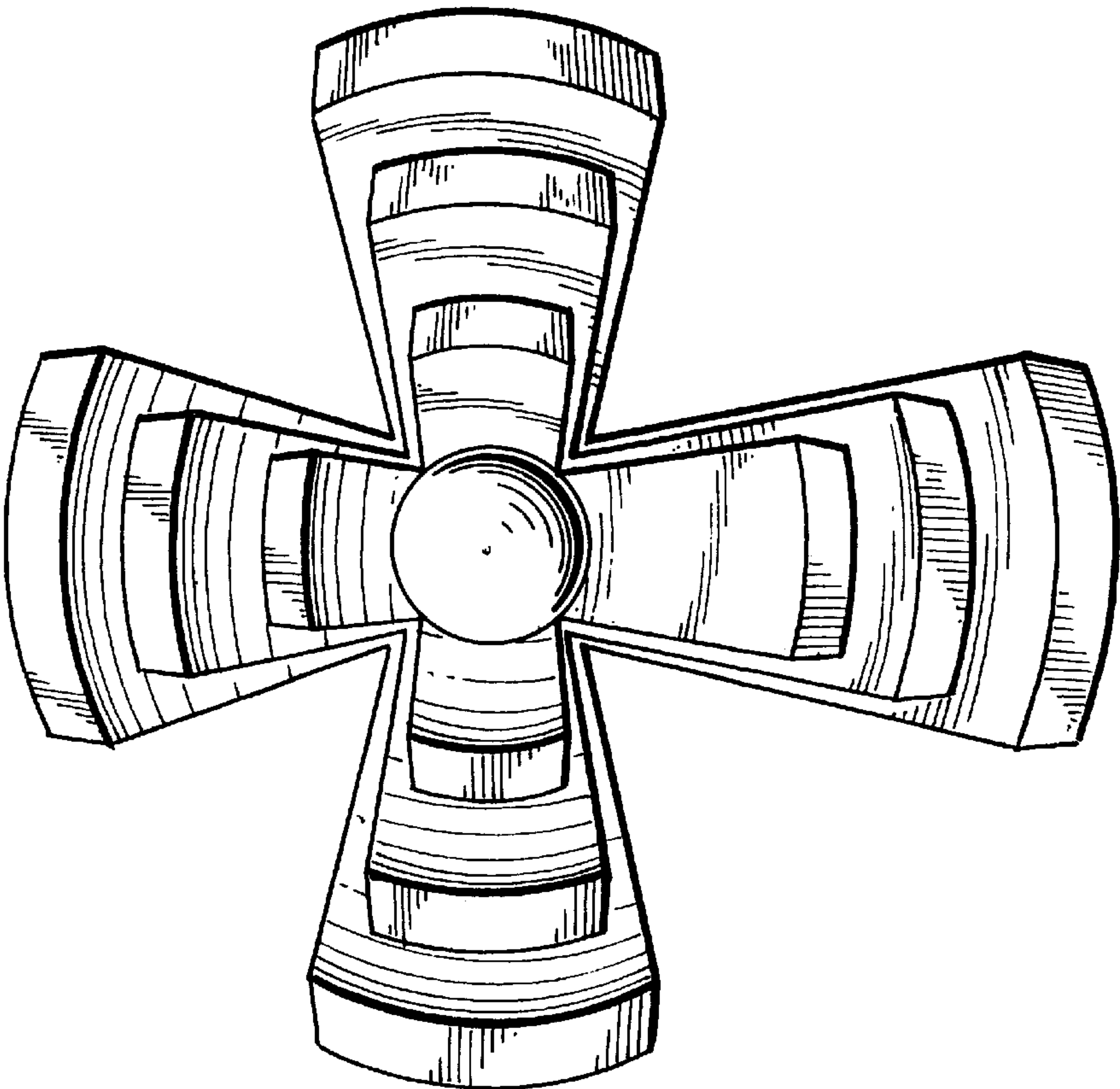


FIG. 1

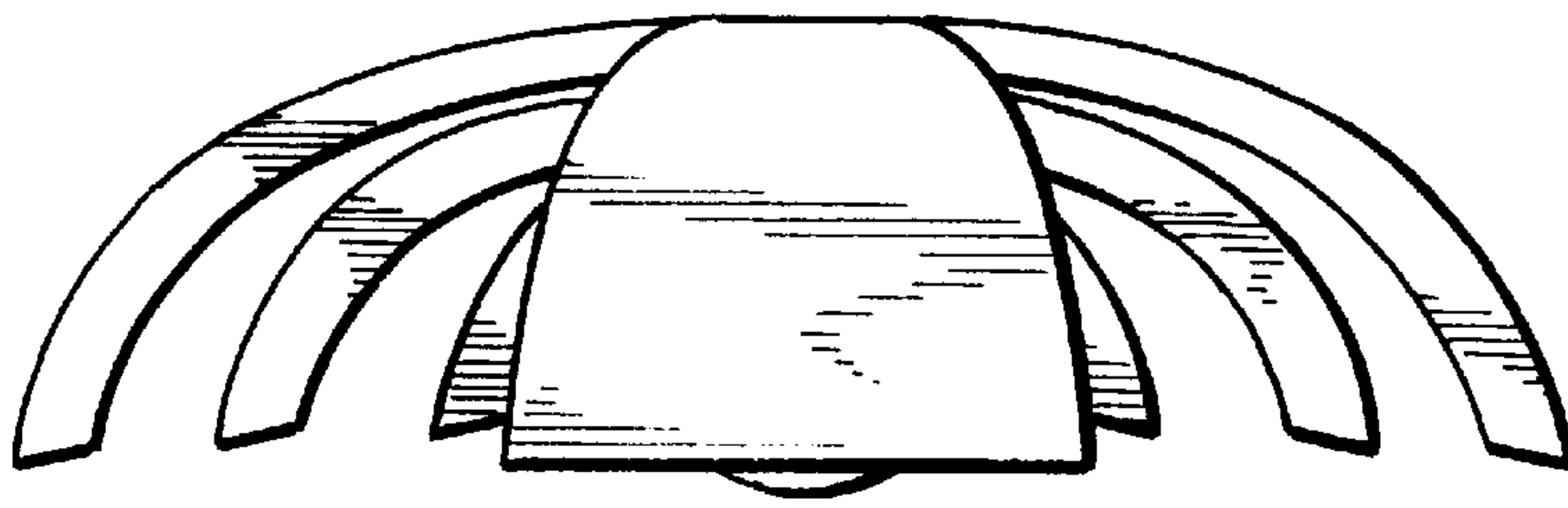


FIG. 3

FIG. 4

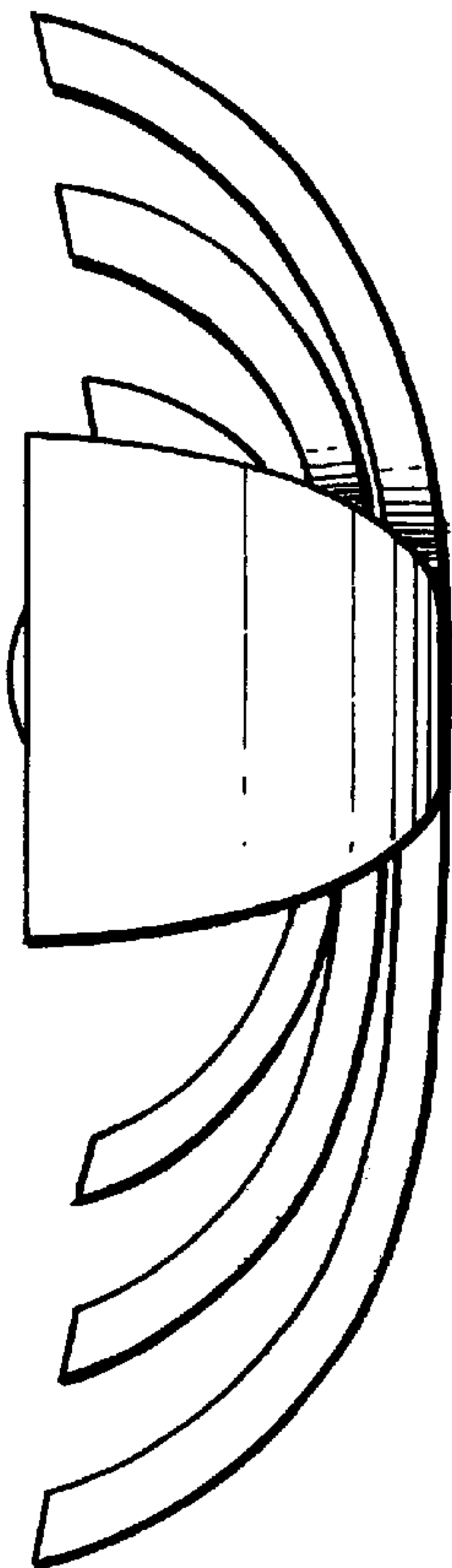
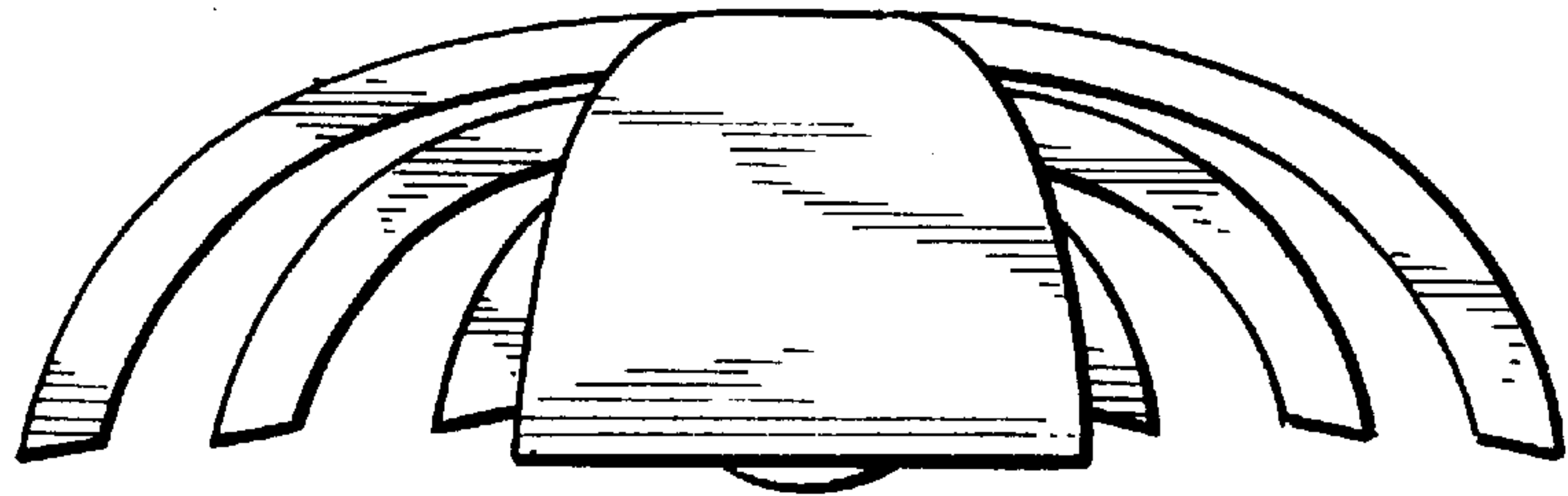


FIG. 5

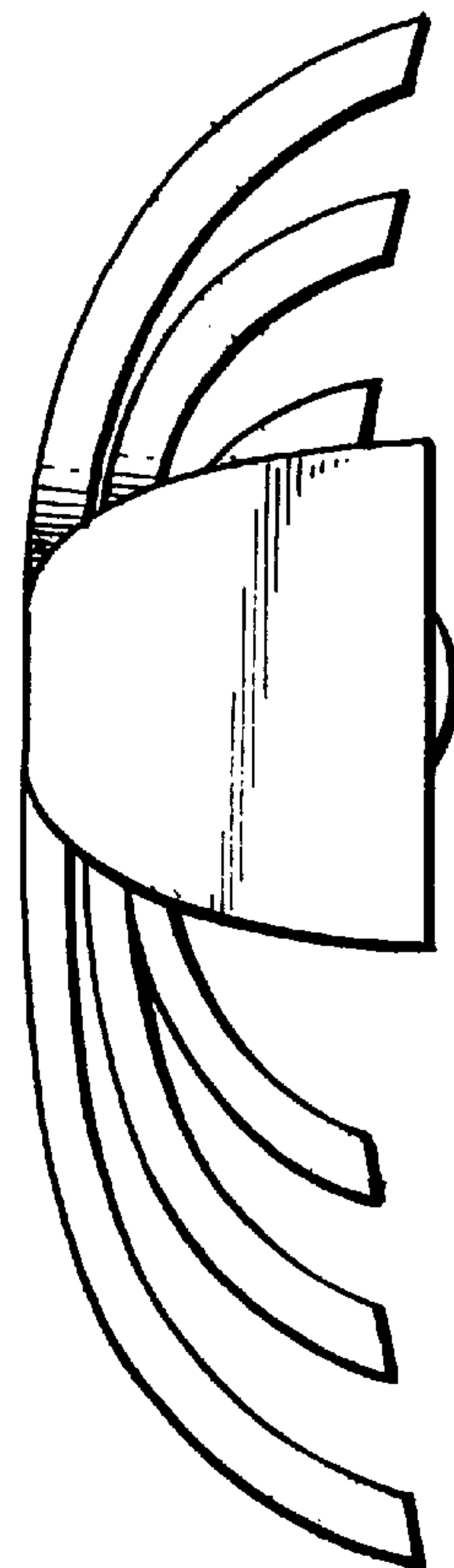


FIG. 6

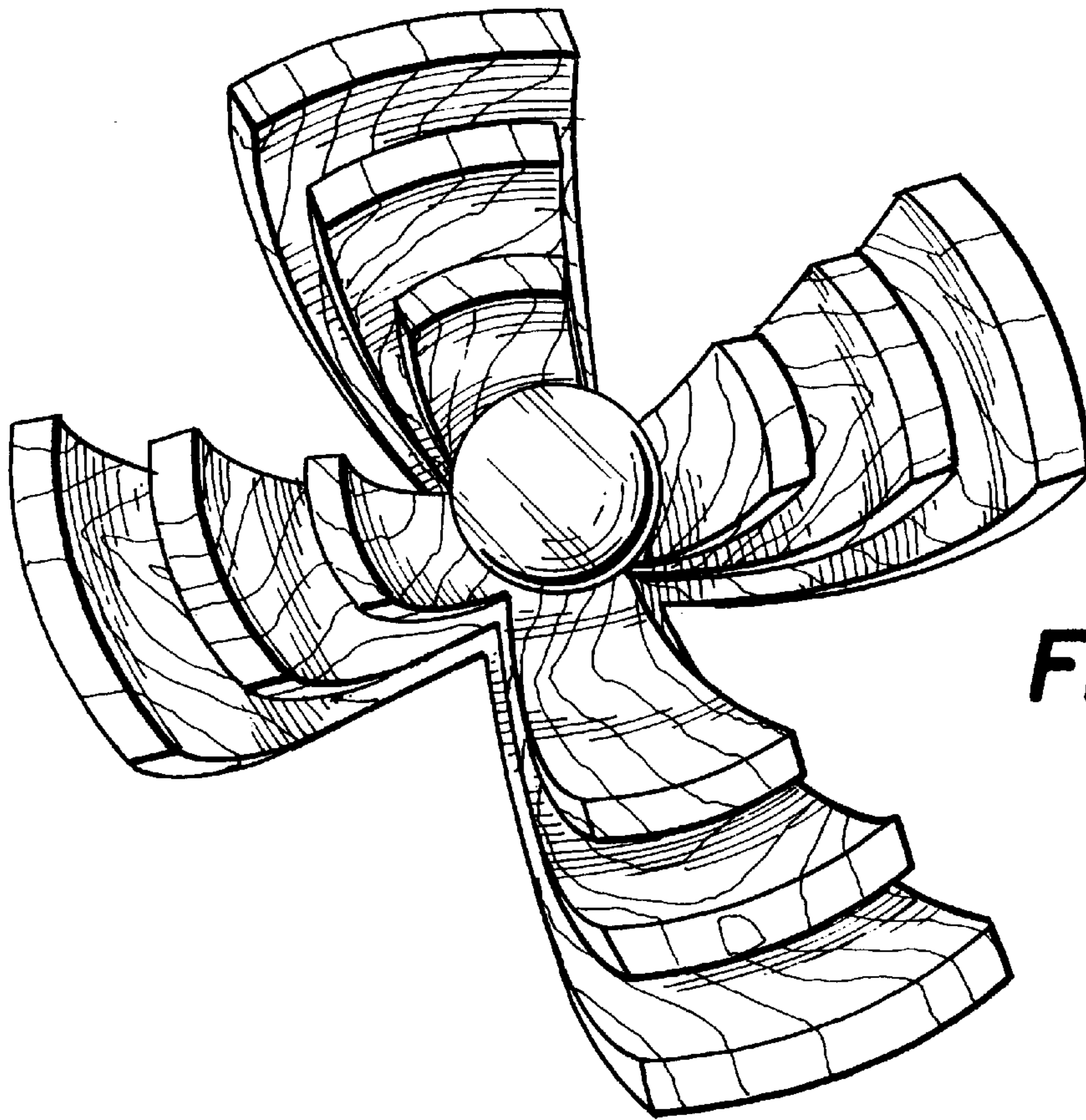
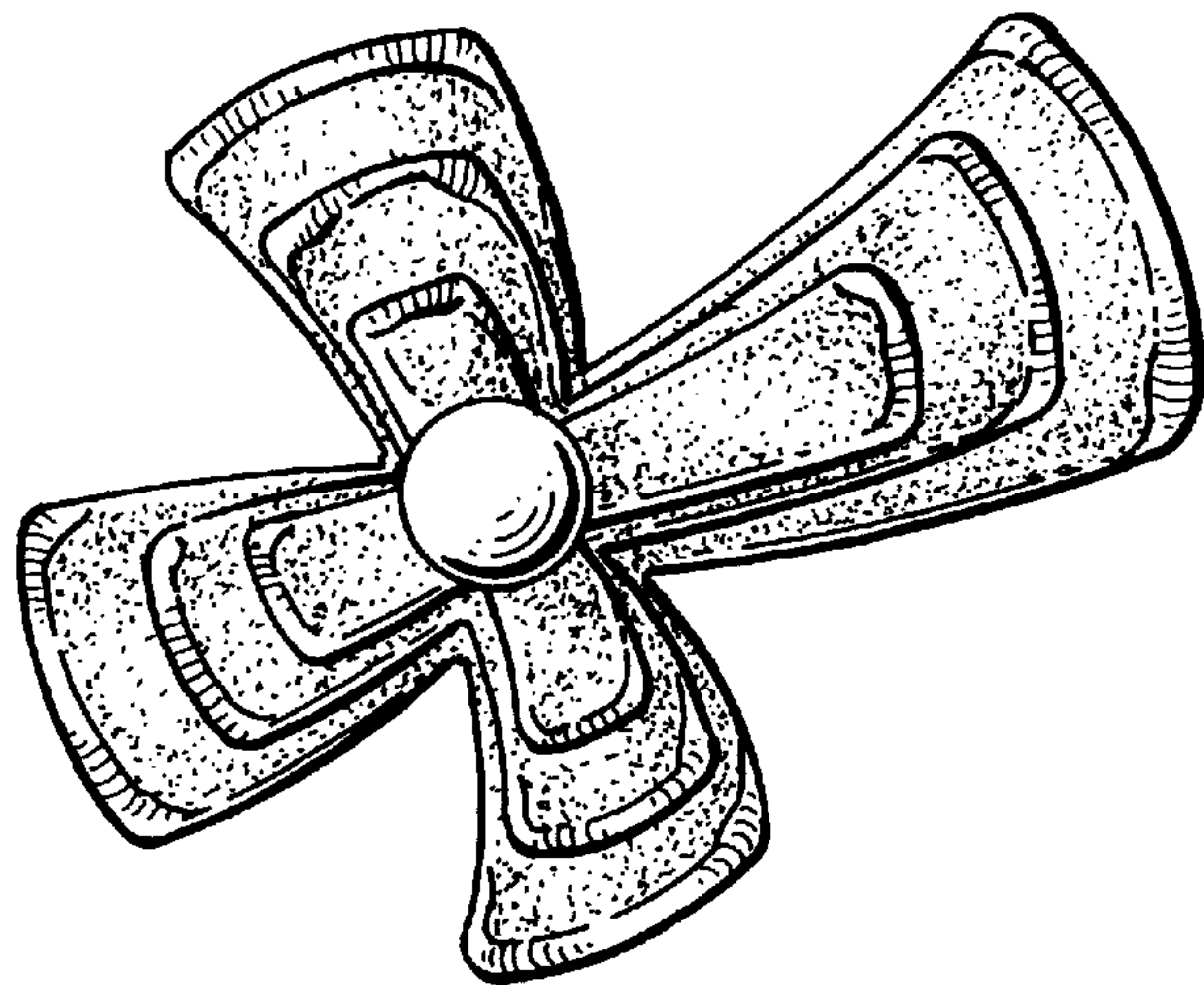


FIG. 7

FIG. 8



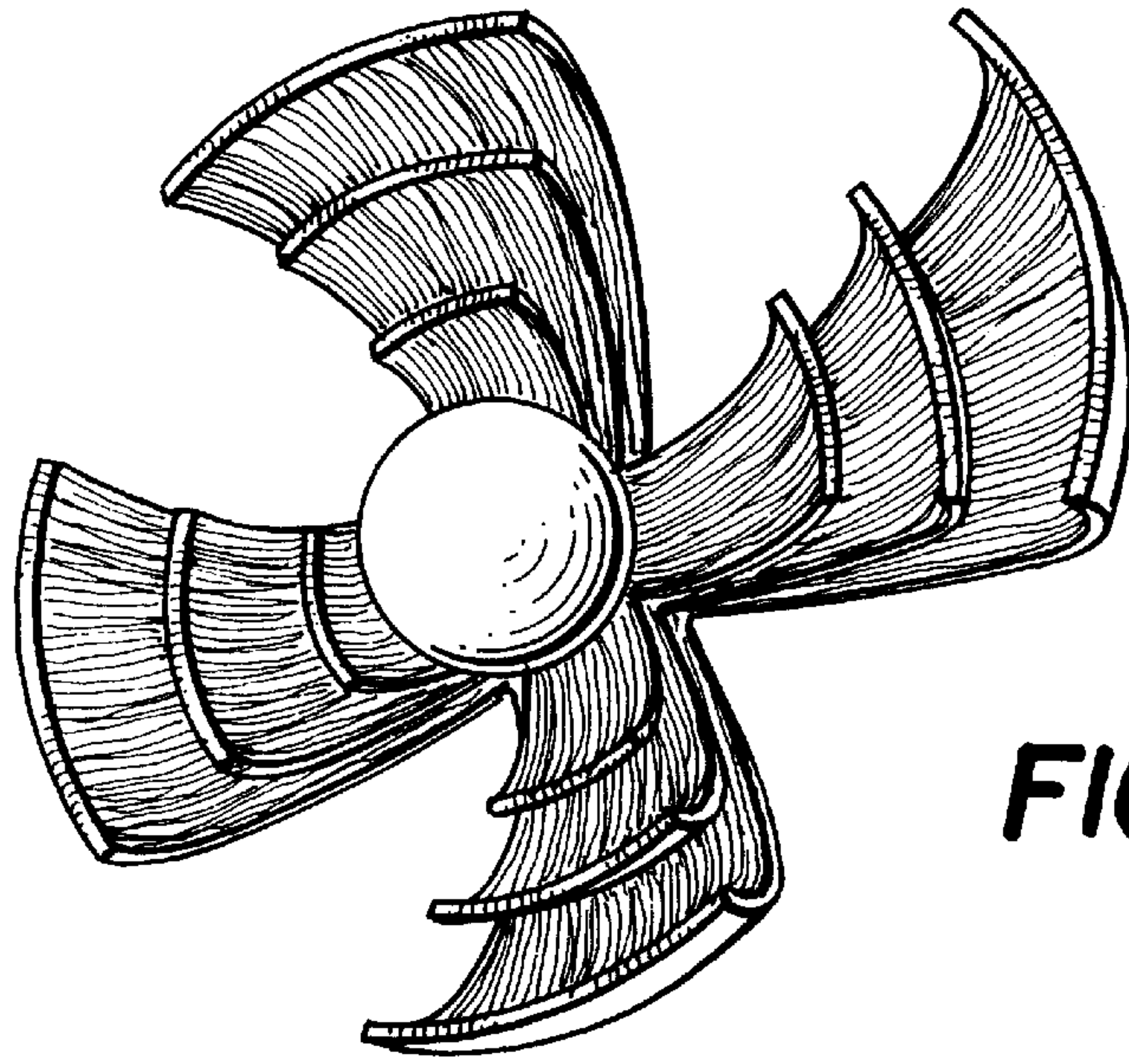


FIG. 9

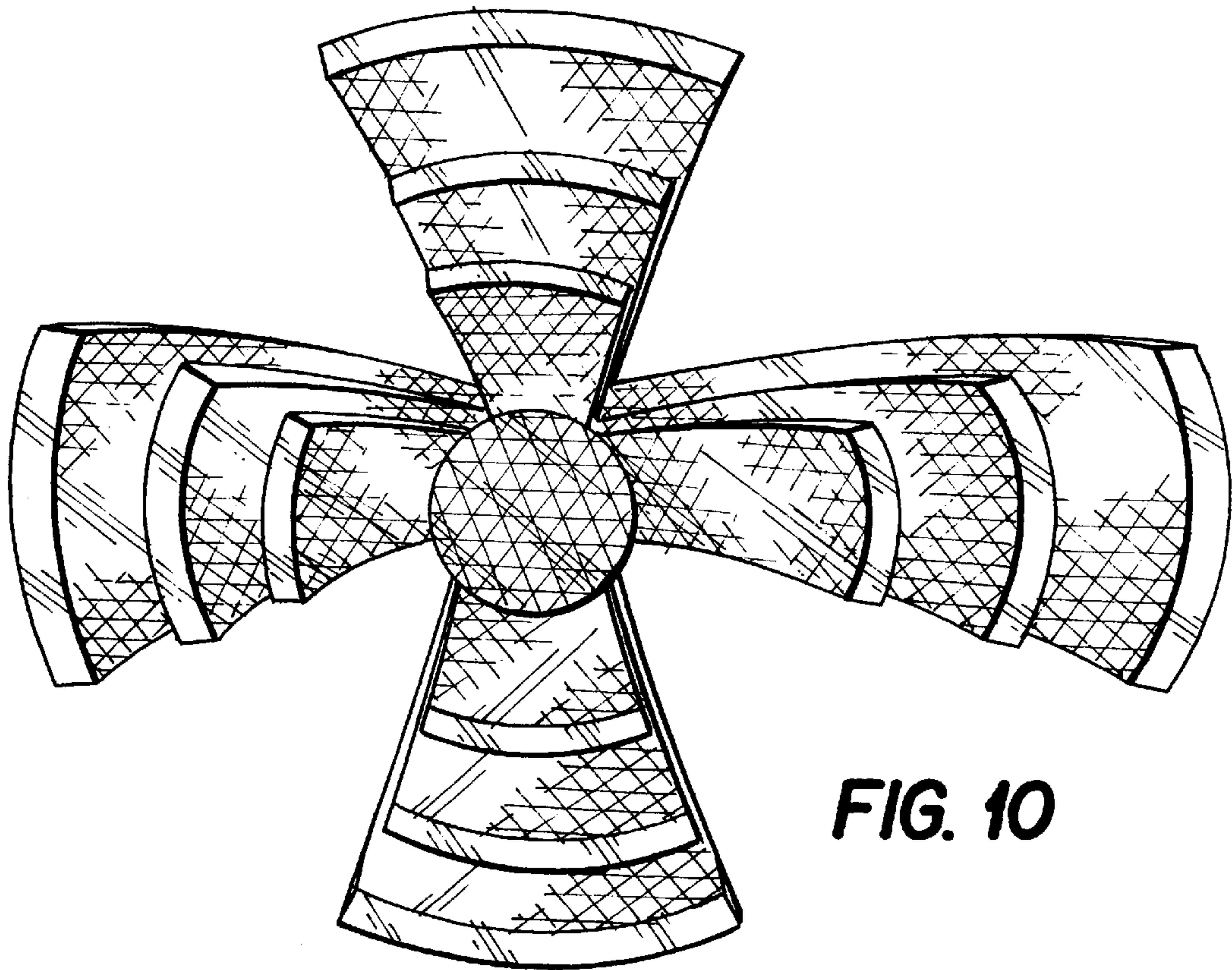


FIG. 10

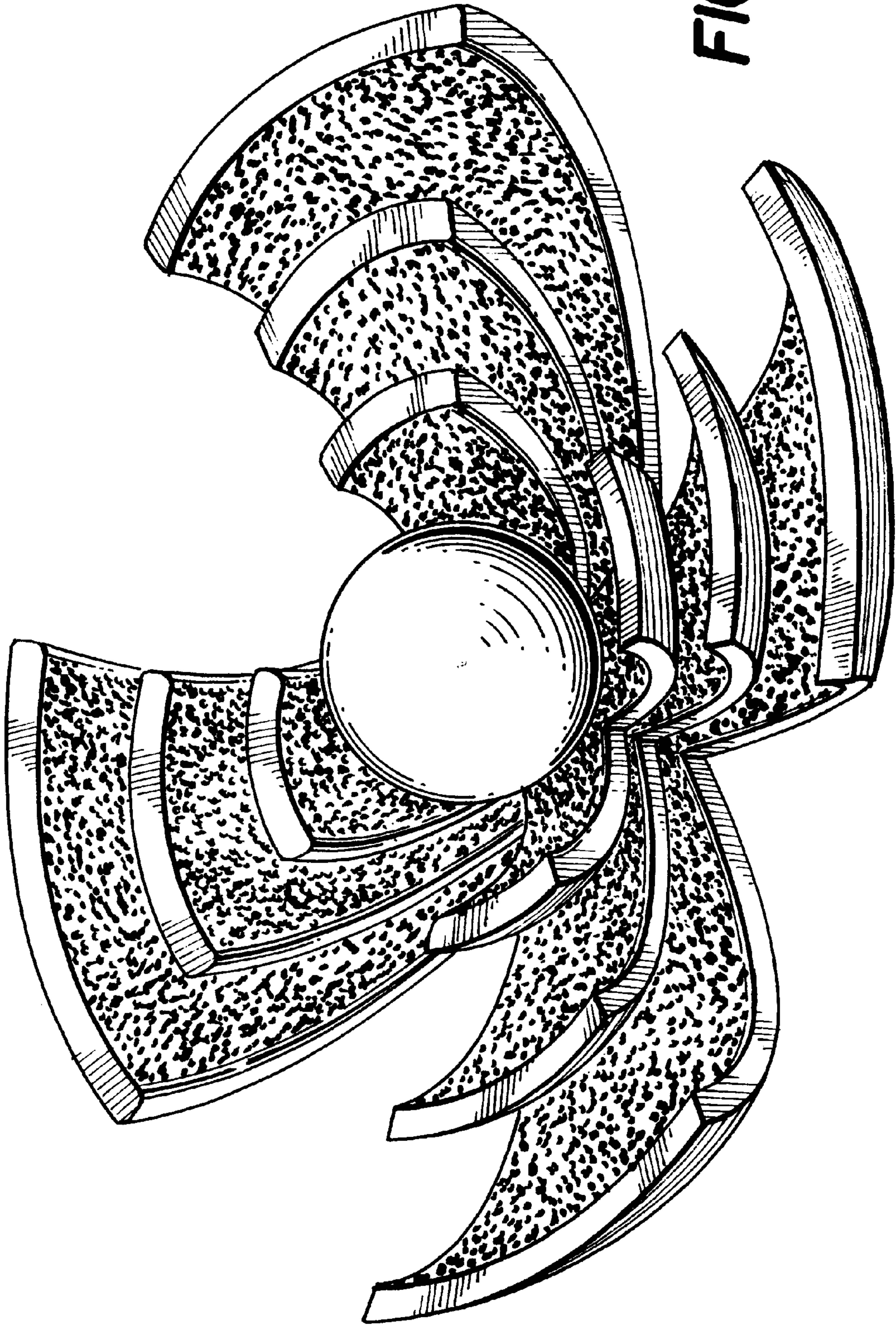


FIG. 11