



US00D430815S

# United States Patent [19] Montaquila

[11] Patent Number: Des. 430,815

[45] Date of Patent: \*\* Sep. 12, 2000

[54] EARRING CLIP BACK

[75] Inventor: Robert A. Montaquila, Cranston, R.I.

[73] Assignee: Aro-Sac Inc., North Providence, R.I.

[\*\*] Term: 14 Years

[21] Appl. No.: 29/103,448

[22] Filed: Apr. 12, 1999

[51] LOC (7) Cl. .... 11-01

[52] U.S. Cl. .... D11/88

[58] Field of Search ..... D11/1, 20, 40-78,  
D11/87-88; 63/1.1, 12, 13, 14.4, 14.5,  
14.6, 14.1; 24/499

## [56] References Cited

### U.S. PATENT DOCUMENTS

- 122,328 1/1872 Northup .
- 148,390 1/1874 Tappen .
- D. 156,452 12/1949 Moulson .
- D. 162,382 3/1951 Carroll, Jr. .
- D. 189,360 11/1960 Ebertin ..... D11/88
- D. 200,490 3/1965 Berzner .
- 208,230 9/1878 Fuller .
- 227,922 5/1880 Purdy .
- 241,462 5/1881 Washburn .
- D. 242,817 12/1976 Saccoccio .
- 249,238 11/1881 Heggie et al. .
- D. 254,055 1/1980 Pisano et al. .
- 306,143 10/1884 Feeley .
- 326,135 9/1885 Merritt .
- 364,140 5/1887 Smitten .
- 371,283 10/1887 Smitten .
- D. 378,360 3/1997 Montaquila .
- D. 381,925 8/1997 Bergannini .
- D. 386,108 11/1997 Montaquila .
- D. 388,357 12/1997 Montaquila .
- D. 388,734 1/1998 Montaquila .
- D. 389,085 1/1998 Montaquila .
- D. 389,424 1/1998 Montaquila .
- D. 389,776 1/1998 Montaquila .
- D. 394,281 5/1998 Montaquila .
- 687,446 11/1901 Washburn .

- 983,598 2/1911 Auerbach .
- 1,561,128 11/1925 Waller .
- 2,013,760 9/1935 McSoley .

(List continued on next page.)

### FOREIGN PATENT DOCUMENTS

- 67733 7/1914 Austria .
- 582590 6/1924 France .
- 39908 9/1886 Germany .
- 80620 5/1920 Germany .
- 202616 4/1939 Switzerland .
- 14786 6/1913 United Kingdom .

### OTHER PUBLICATIONS

Advertisement, page 95, Dec. 1994 issue of *The American Jewelry Manufacture*.

Advertisement, page 122, Mar. 1995 issue of *The American Jewelry Manufacture*.

Phenix Tool Catalog.

Aro-Sac Anniversary Catalog (1995).

*Primary Examiner*—Ralf Seifert

*Attorney, Agent, or Firm*—David S. Resnick; Nixon Peabody LLP

## [57] CLAIM

The ornamental design of a earring clip back, as shown and described.

### DESCRIPTION

FIG. 1 is a perspective view of an earring clip embodying the present invention;

FIG. 2 is a top plan view thereof;

FIG. 3 is a bottom plan view thereof;

FIG. 4 is a side elevational view thereof;

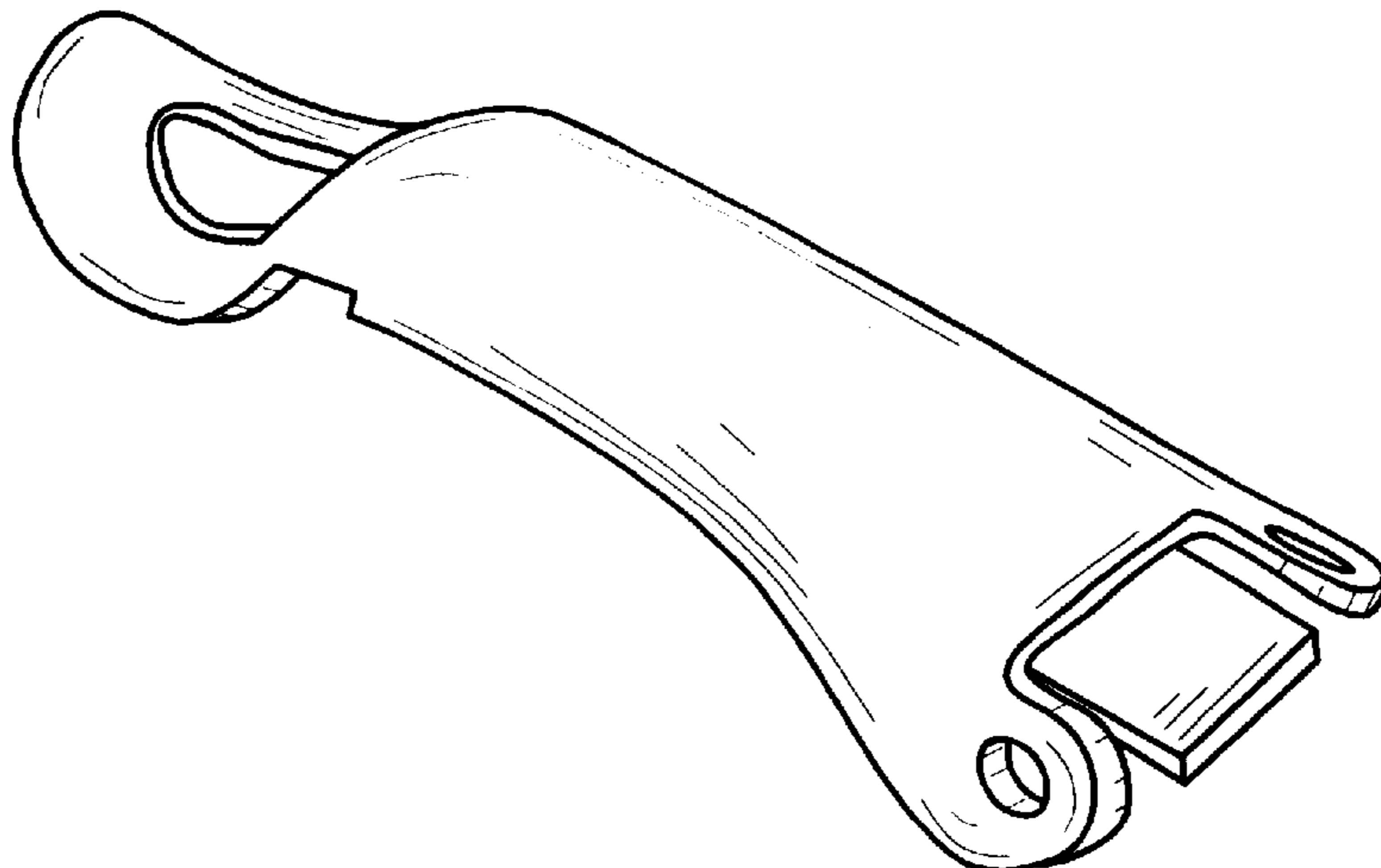
FIG. 5 is an end view of the clip taken from the right of FIG. 2;

FIG. 6 is an end view of the clip taken from the left of FIG. 2;

FIG. 7 is a top plan view of another embodiment of the article of this invention; and,

FIG. 8 is a bottom plan view of the embodiment of FIG. 7.

1 Claim, 2 Drawing Sheets



U.S. PATENT DOCUMENTS

2,313,668	3/1943	Placco .	3,990,266	11/1976	Saccoccio .
2,398,995	4/1946	Beck .	4,003,216	1/1977	Cecere et al. .
2,446,252	8/1948	Stromelly .	4,682,477	7/1987	Vaillancourt .
2,733,491	2/1956	Saccoccio .	4,700,552	10/1987	Haley .
2,795,833	6/1957	Gray .	4,864,699	9/1989	Whitcomb ..... 24/499
3,158,011	11/1964	Carroll ..... D11/88	5,048,310	9/1991	Riley .
3,418,826	12/1968	Wieshuber .	5,588,309	12/1996	Chioffe .
3,533,247	8/1968	Douglas .	5,644,823	7/1997	Montaquila .
			5,755,017	5/1998	Montaquila .

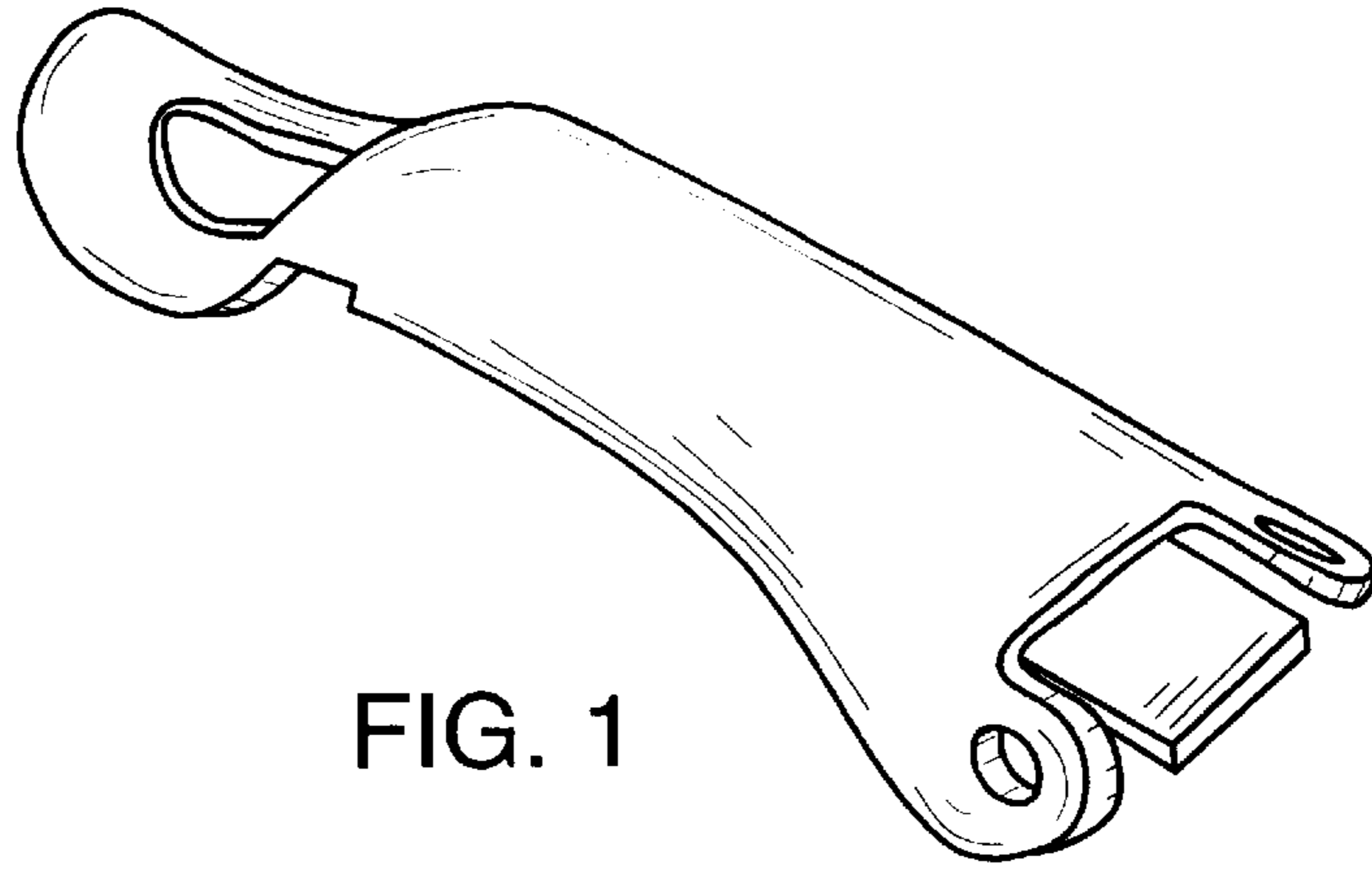


FIG. 1

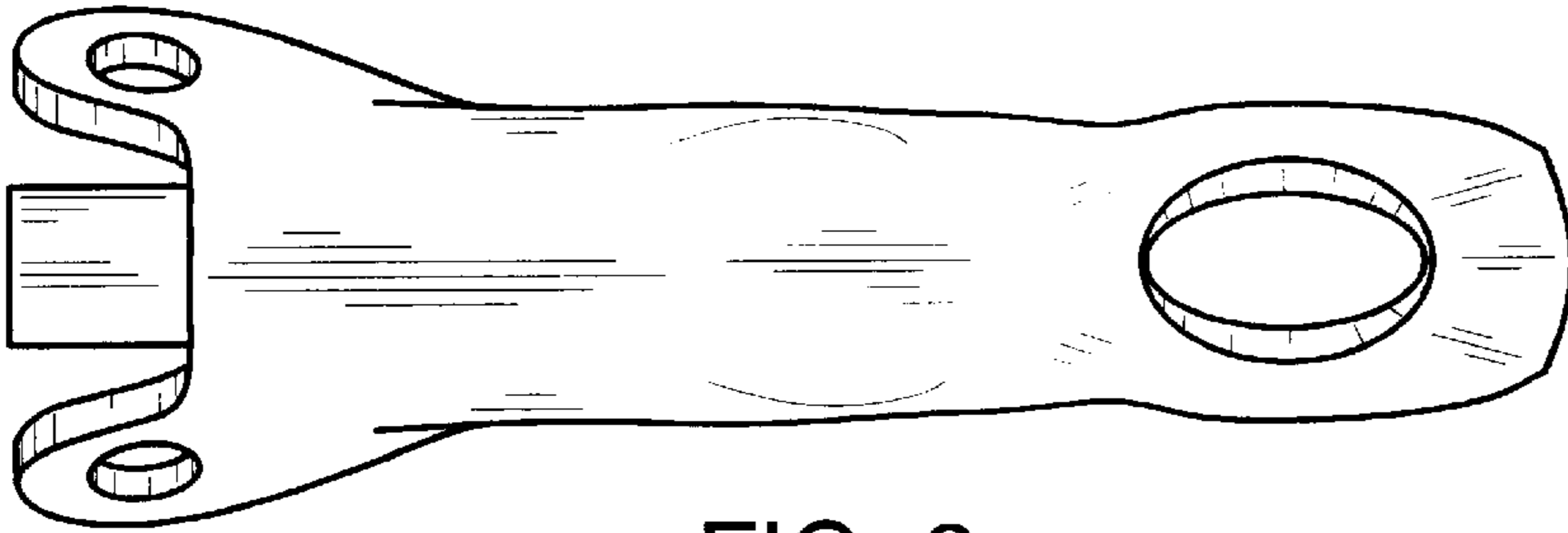


FIG. 2

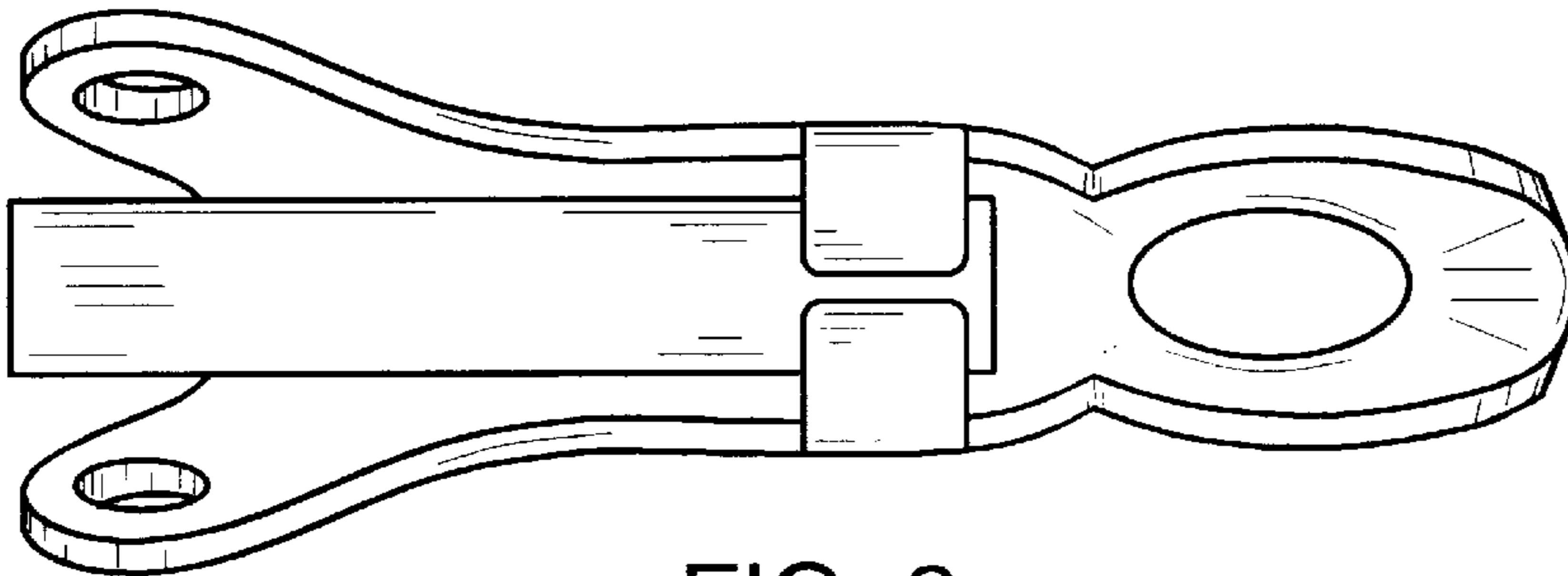


FIG. 3

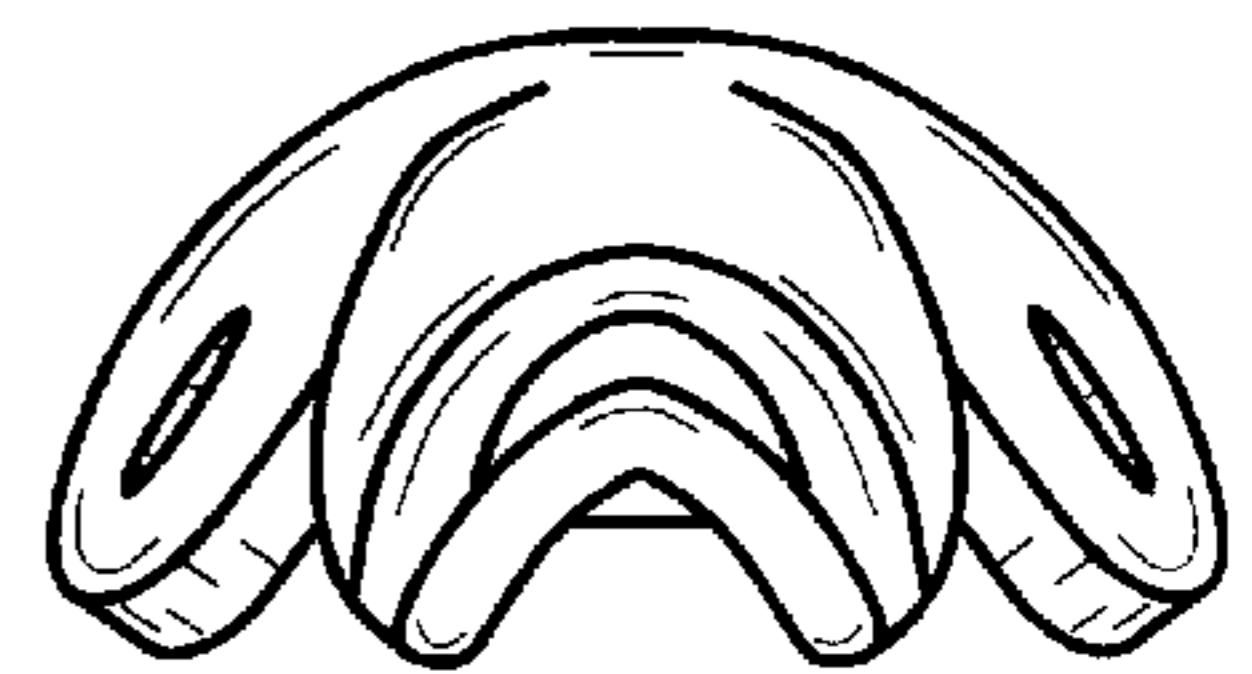


FIG. 5



FIG. 4

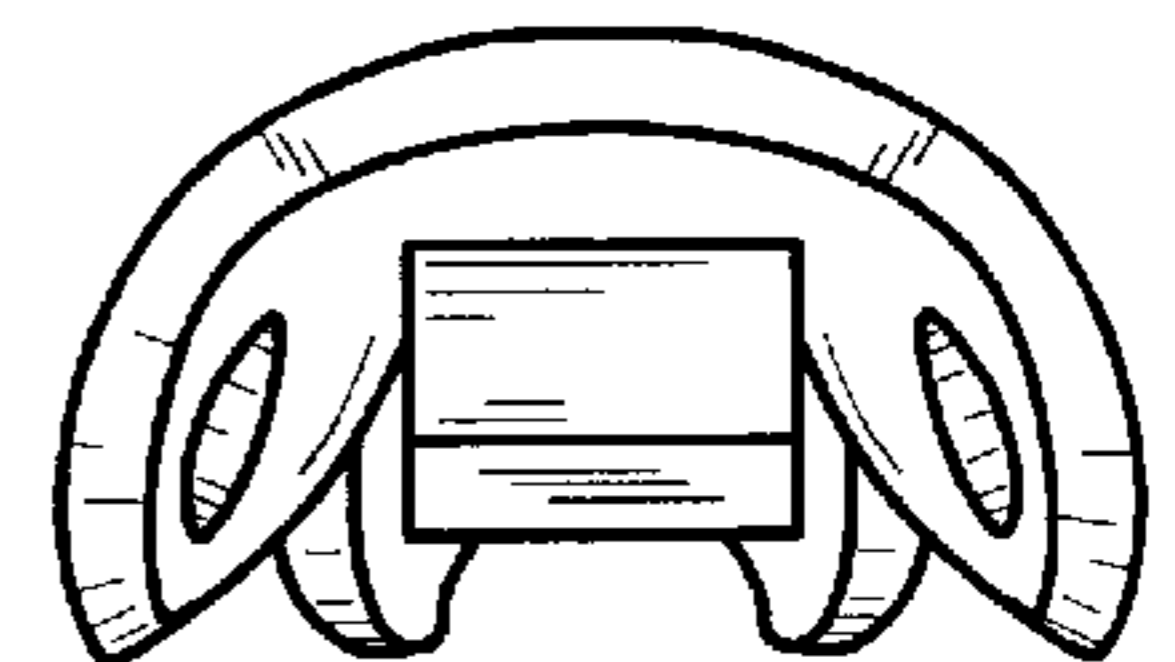


FIG. 6

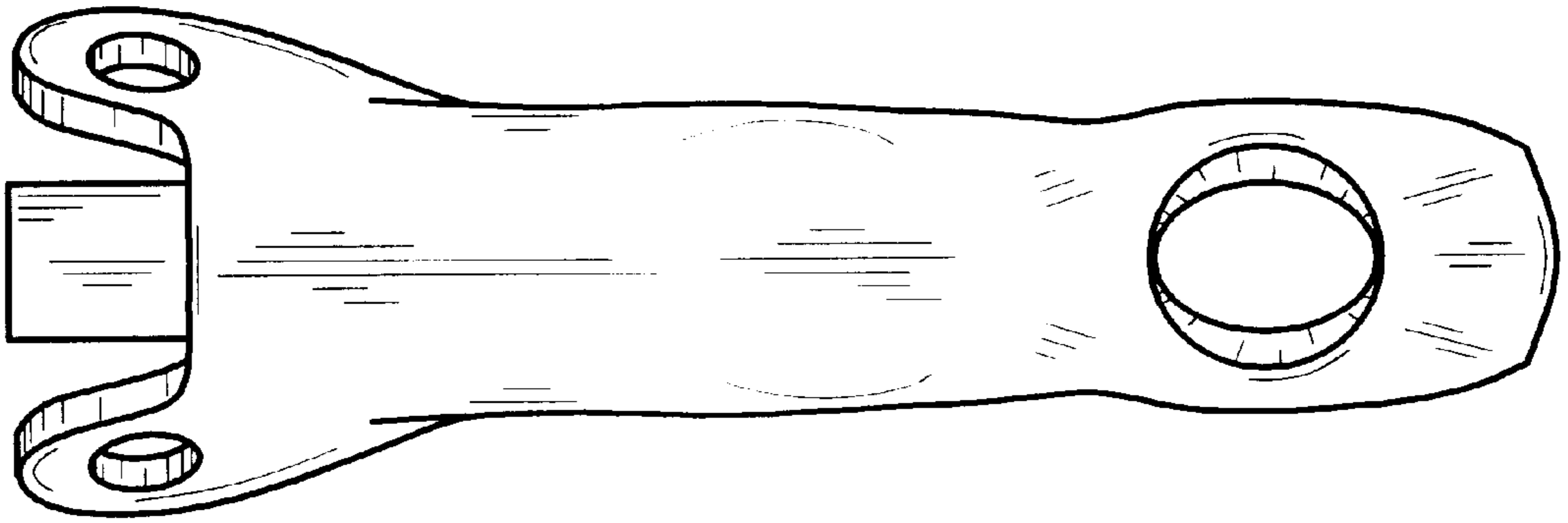


FIG. 7

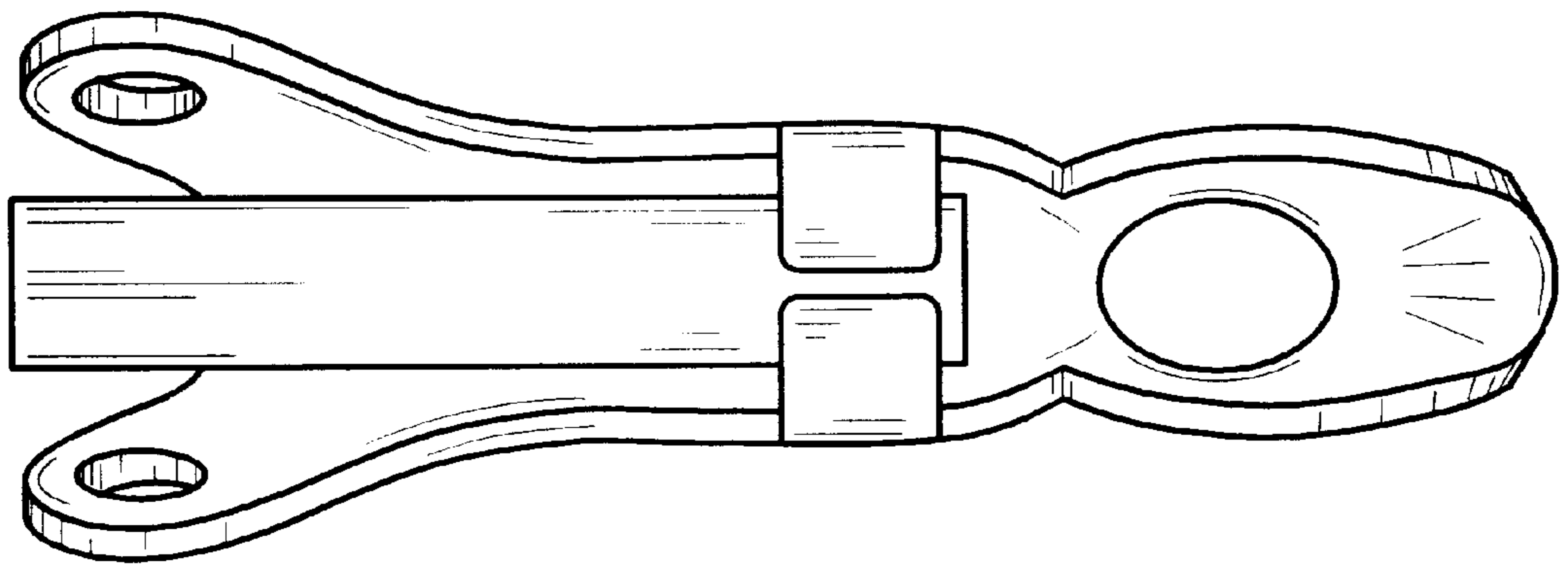


FIG. 8