



US00D430804S

**United States Patent** [19]  
**Bulsink**

[11] **Patent Number: Des. 430,804**  
[45] **Date of Patent: \*\* Sep. 12, 2000**

[54] **COMBINED BOTTLE AND CAP**  
[75] Inventor: **Dirk Jan Bulsink**, Leiden, Netherlands  
[73] Assignee: **Sara Lee/DE N.V.**, Utrecht, Netherlands  
[\*\*] Term: **14 Years**  
[21] Appl. No.: **29/082,990**  
[22] Filed: **Feb. 3, 1998**  
[30] **Foreign Application Priority Data**

Aug. 4, 1997 [XH] Hague Agreement ..... DM/040997

[51] **LOC (7) Cl.** ..... **09-01**  
[52] **U.S. Cl.** ..... **D9/543; D9/540; D9/558**  
[58] **Field of Search** ..... **D9/539, 542, 558, D9/553, 447, 540, 545; 215/382, 383, 384**

[56] **References Cited**

**U.S. PATENT DOCUMENTS**

D. 204,103	3/1966	Lydon	.....	D9/447
D. 236,802	9/1975	McDonald	.....	D9/558
D. 266,990	11/1982	Cook	.....	D9/558
D. 336,430	6/1993	Maguire et al.	.....	D9/447
D. 384,892	10/1997	Tolentino	.....	D9/542

*Primary Examiner*—Lucy Lieberman

*Attorney, Agent, or Firm*—Rhodes & Mason, P.L.L.C.

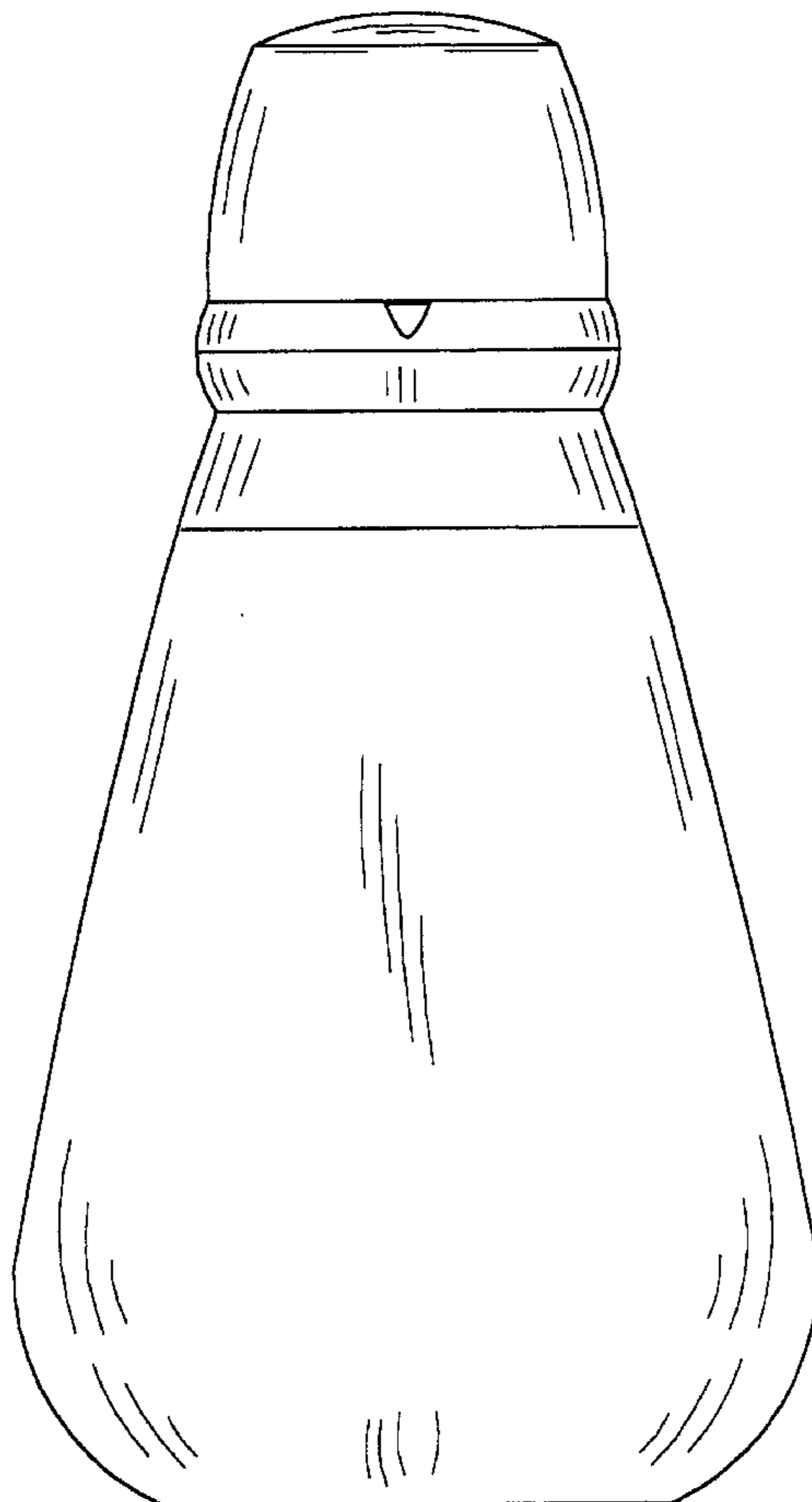
[57] **CLAIM**

The ornamental design for a combined bottle and cap, as shown and described.

**DESCRIPTION**

FIG. 1 is a front elevational view of a combined bottle and cap showing my new design;  
FIG. 2 is a side elevational view thereof, the opposite side elevational view being a mirror image thereof;  
FIG. 3 is a rear elevational view thereof;  
FIG. 4 is a top view thereof;  
FIG. 5 is a bottom view thereof;  
FIG. 6 is a top front perspective view thereof;  
FIG. 7 is a top right front perspective view thereof;  
FIG. 8 is a front elevational view showing my new design without the cap;  
FIG. 9 is a side elevational view thereof, the opposite side elevational view being a mirror image thereof;  
FIG. 10 is a rear elevational view thereof;  
FIG. 11 is a top view thereof;  
FIG. 12 is a top front perspective view thereof; and,  
FIG. 13 is a top right front perspective view thereof.  
The bottle is shown without the cap in FIGS. 8 through 13 for clarity of illustration.

**1 Claim, 6 Drawing Sheets**



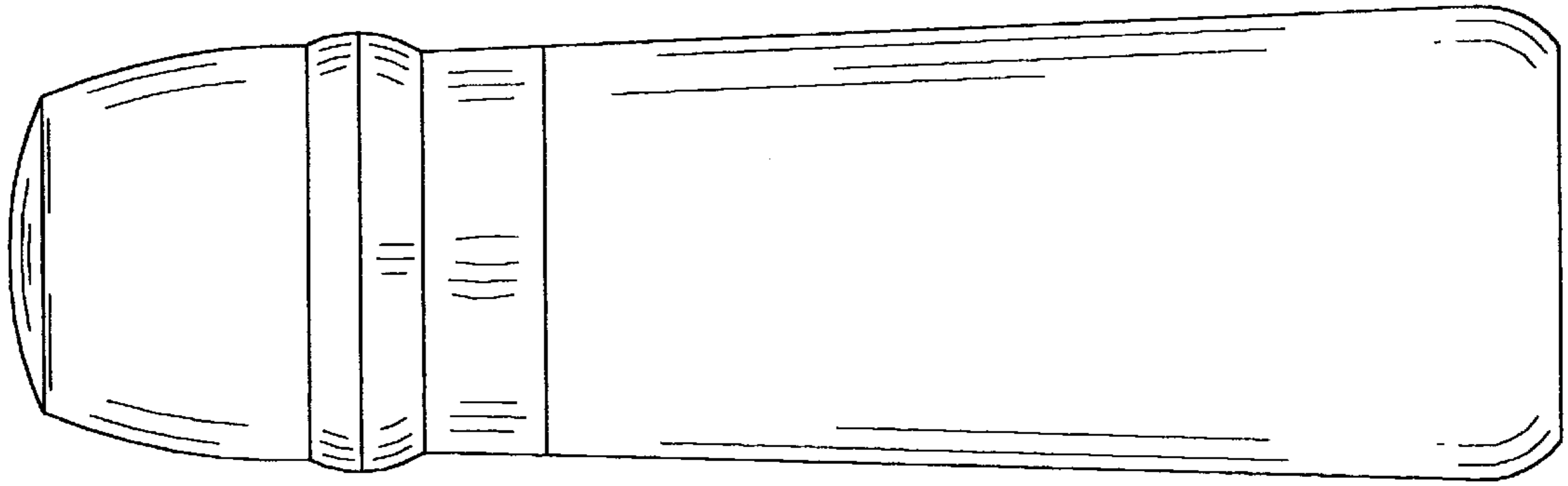


FIG. 2

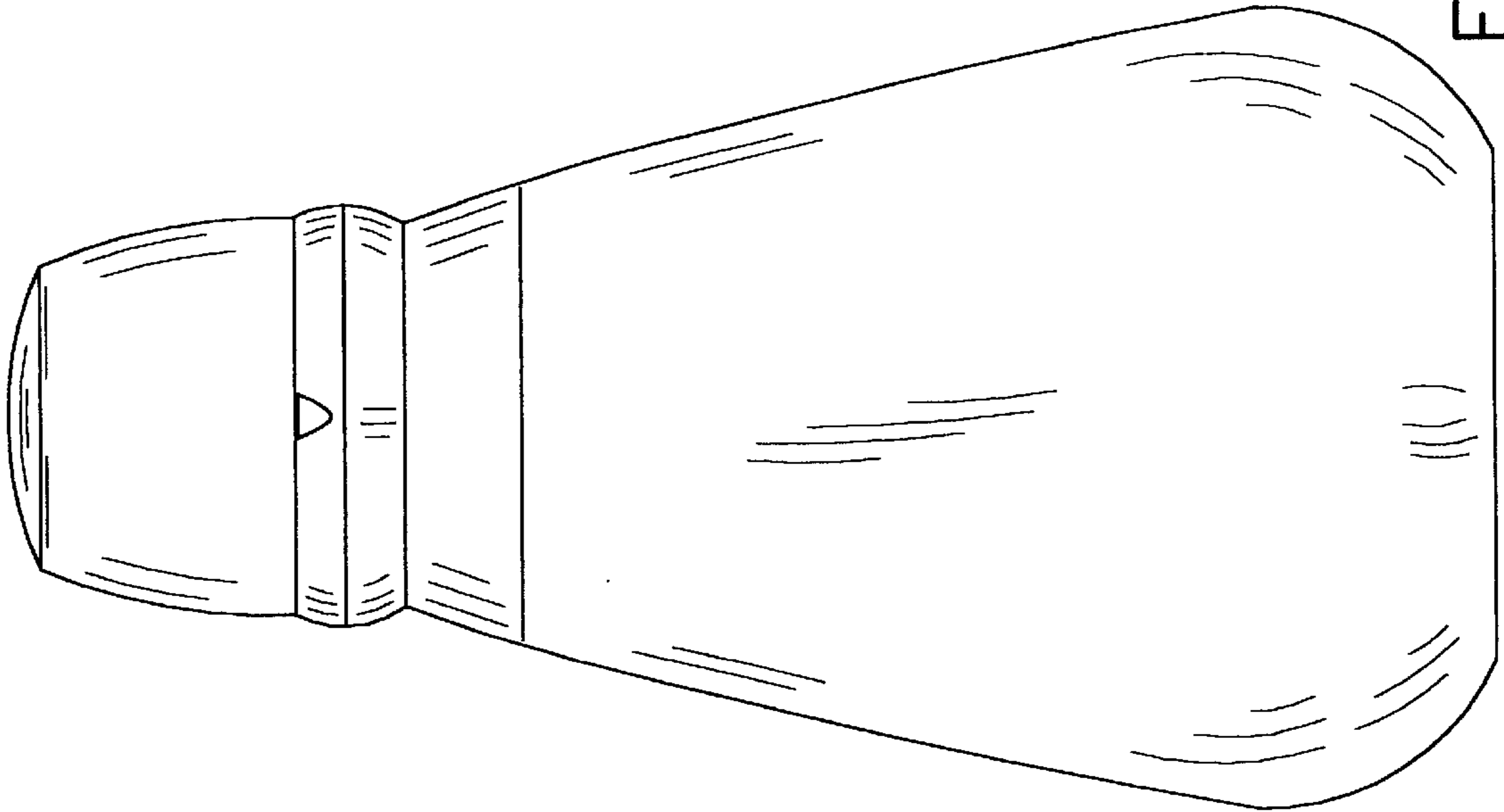


FIG. 1

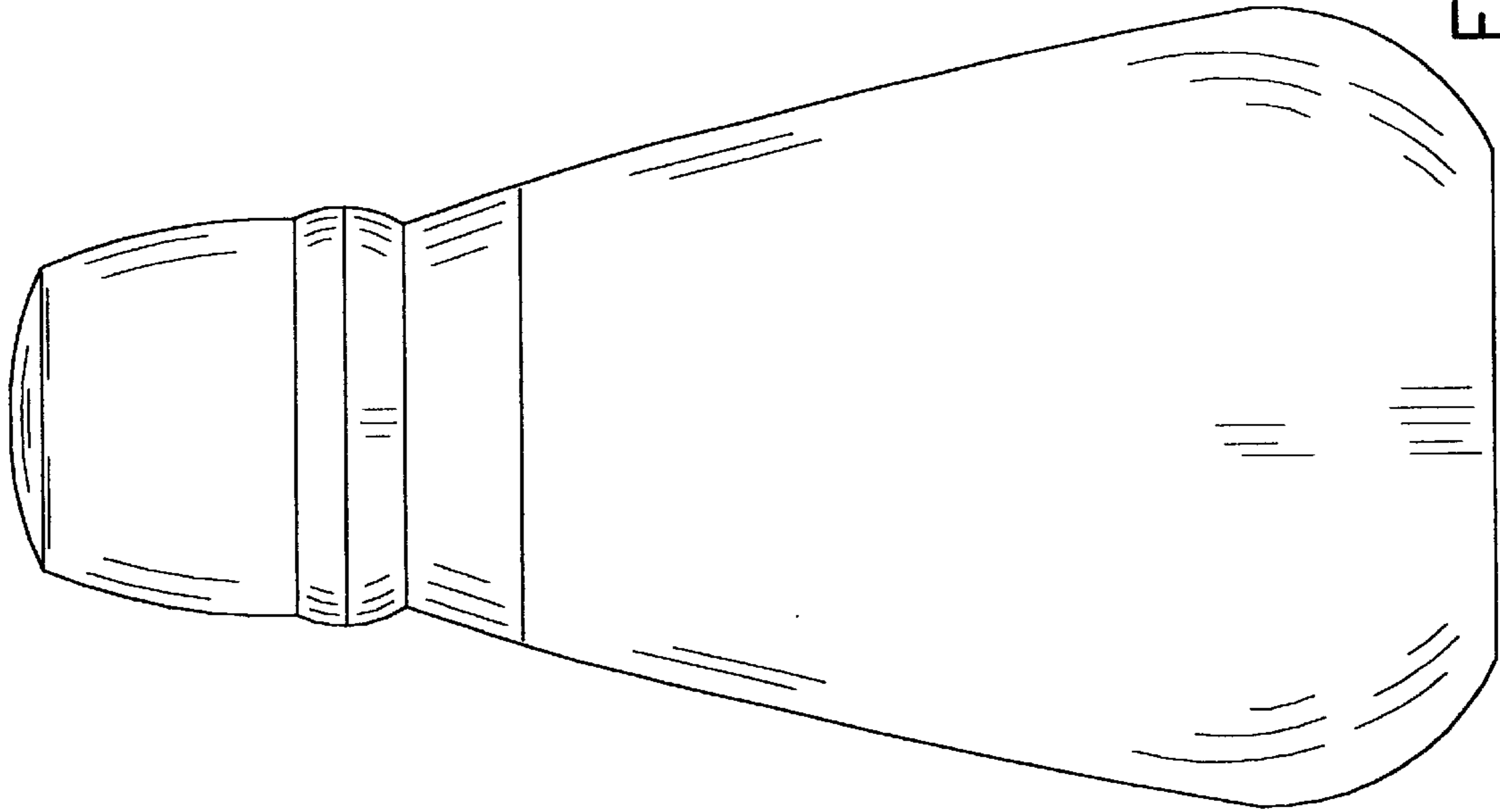


FIG. 3

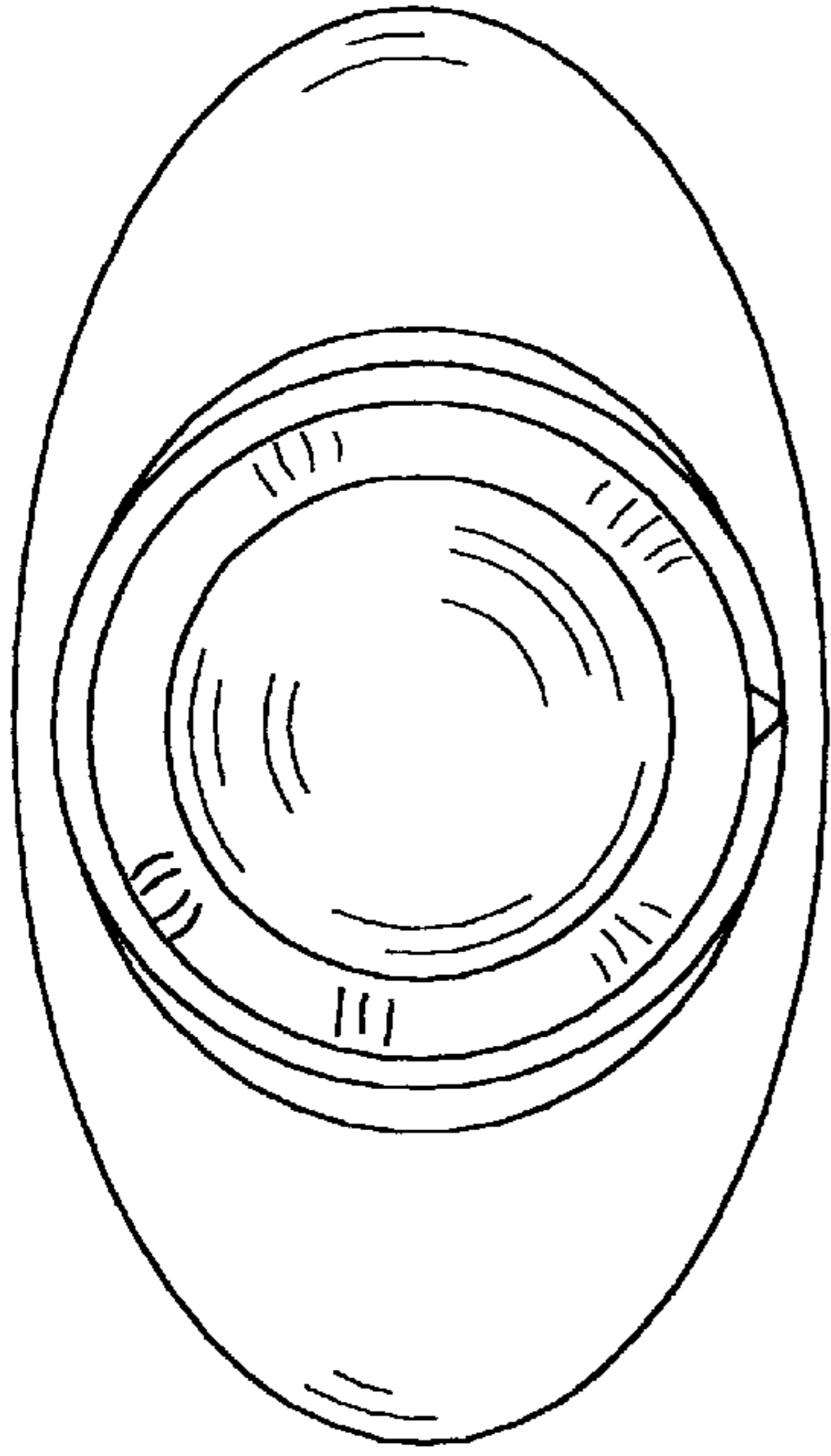


FIG. 4

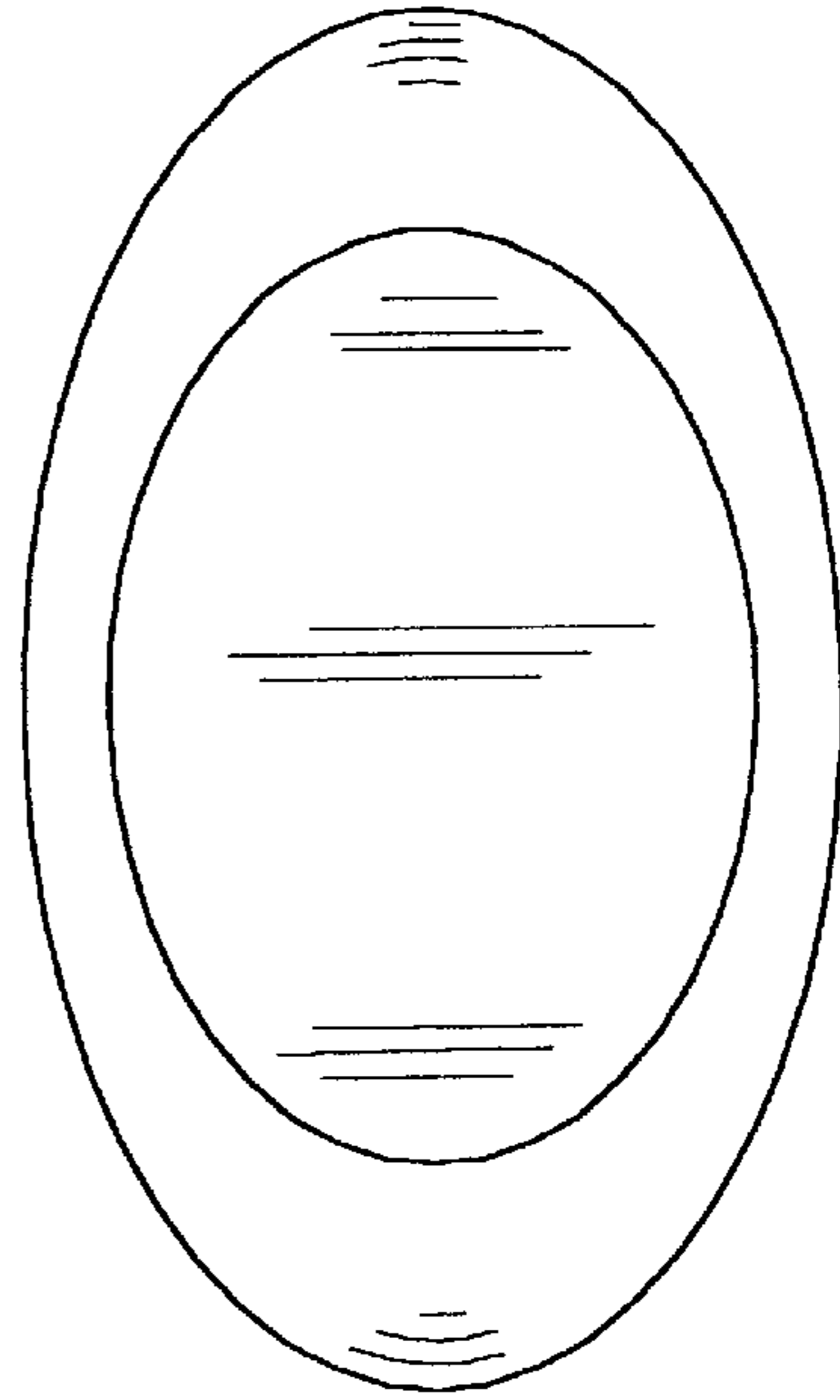


FIG. 5

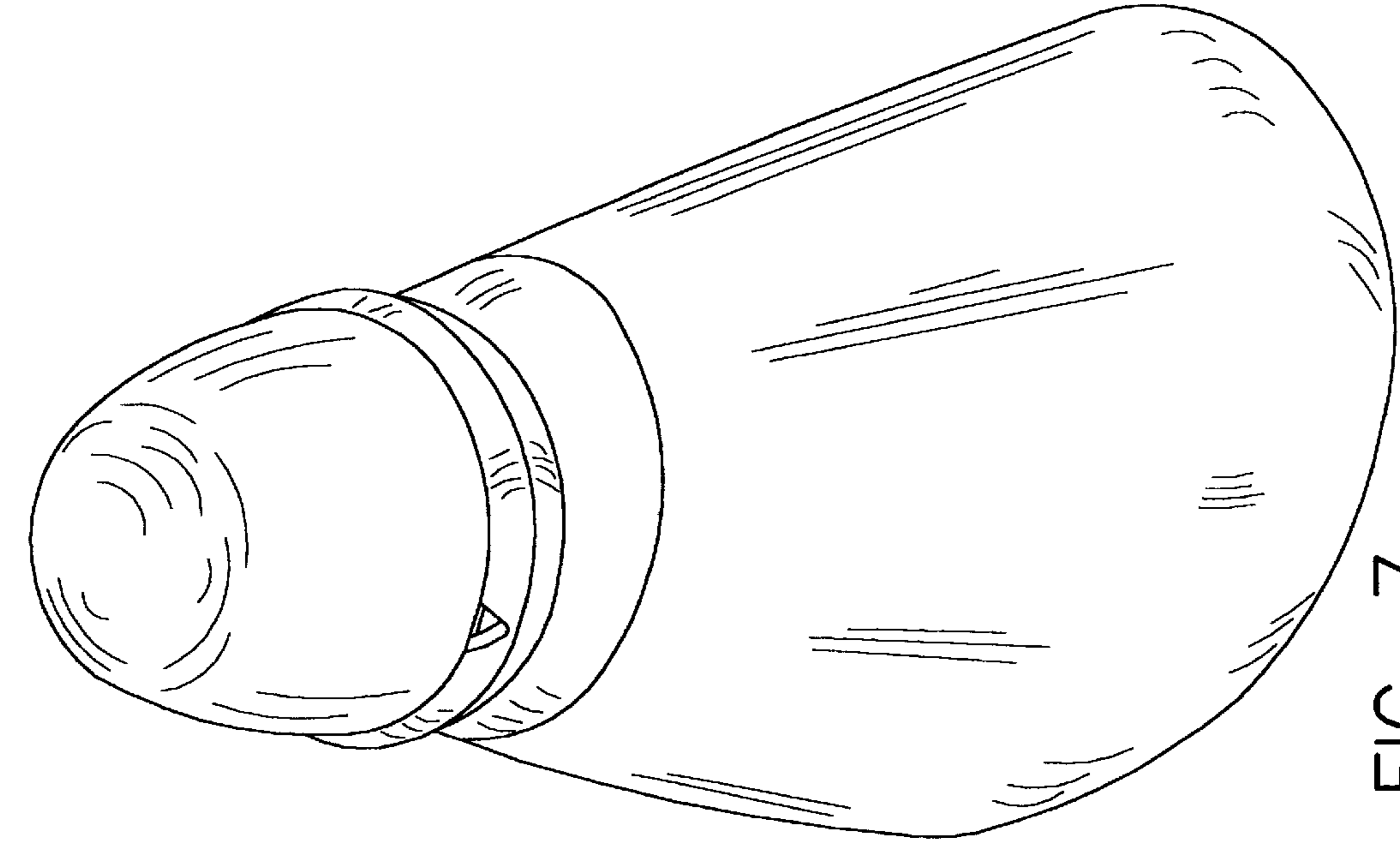


FIG. 7

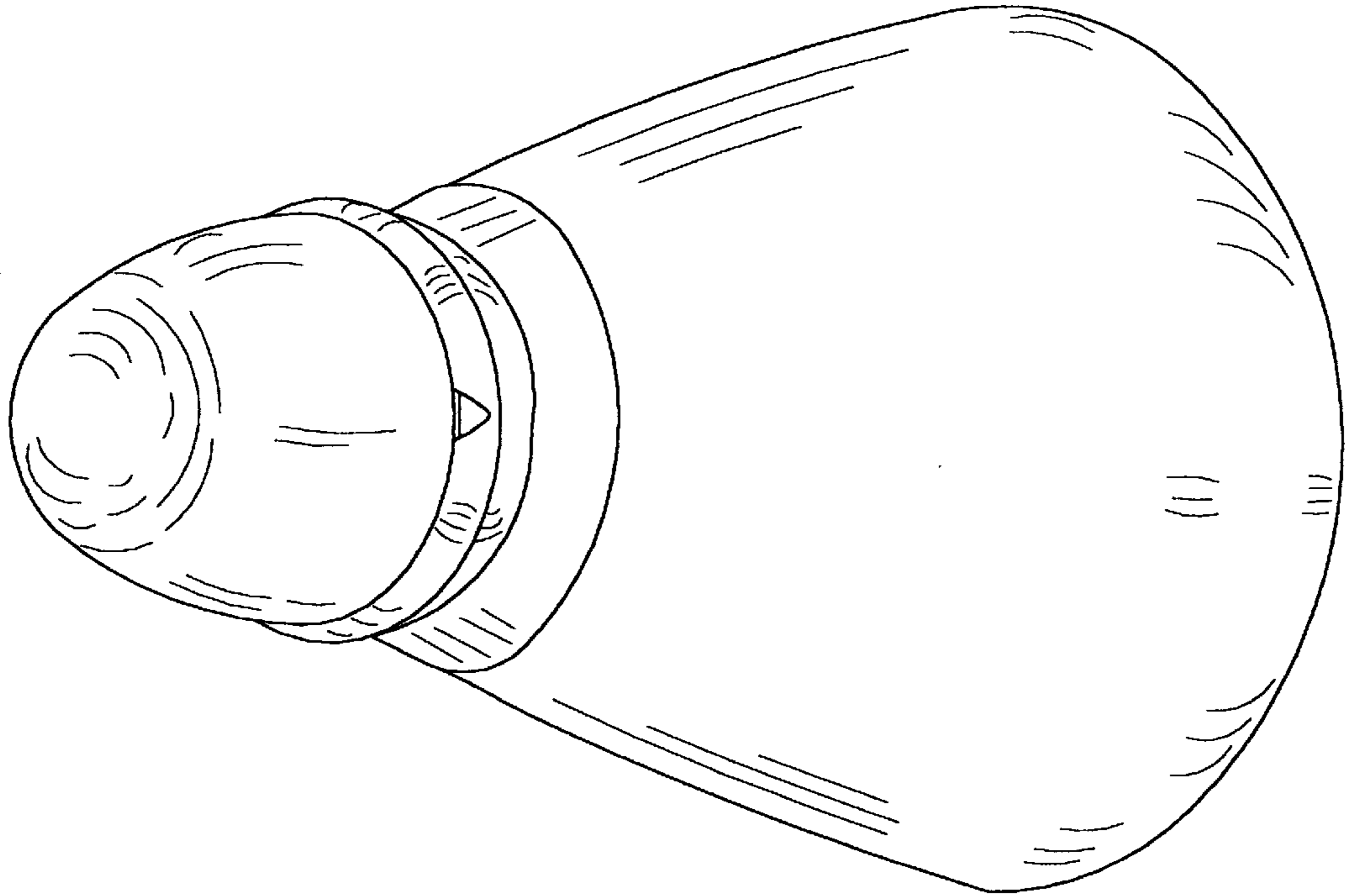


FIG. 6

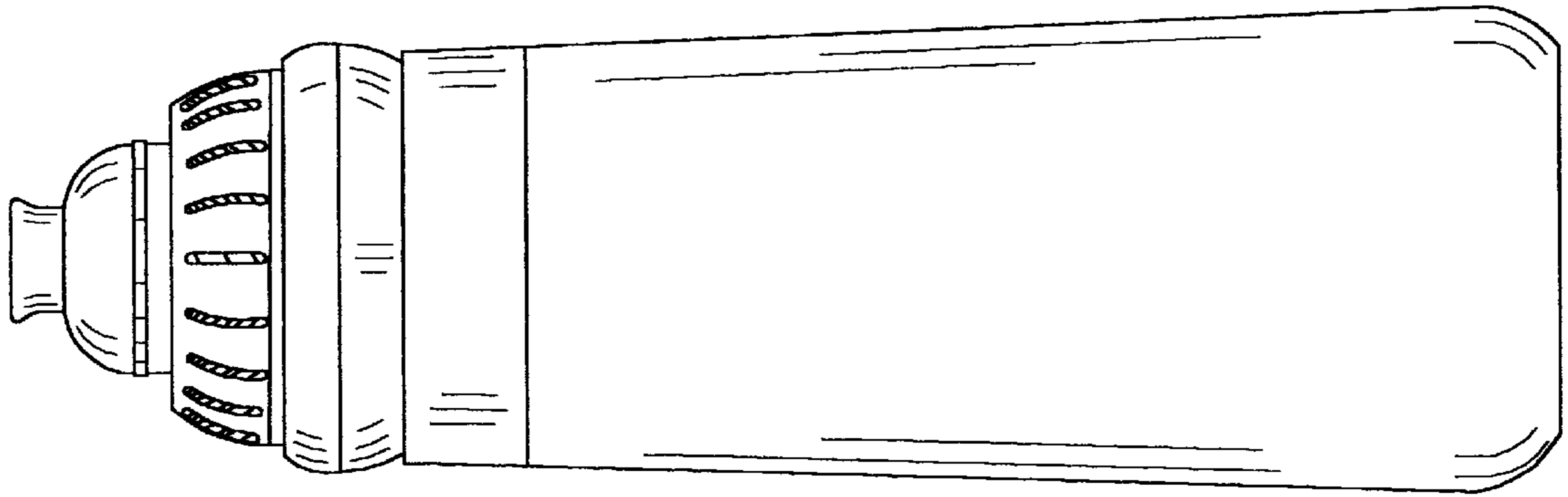


FIG. 9

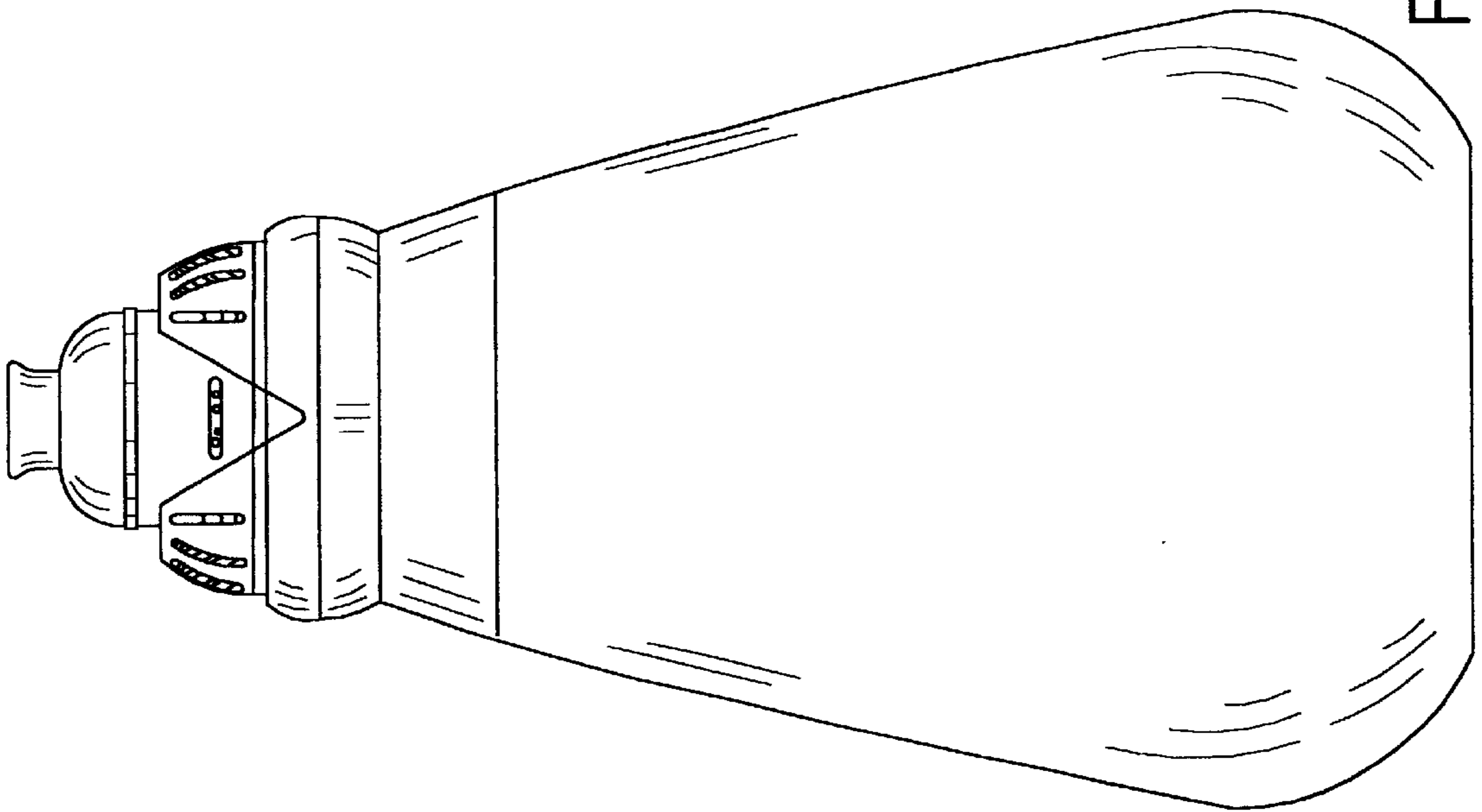


FIG. 8

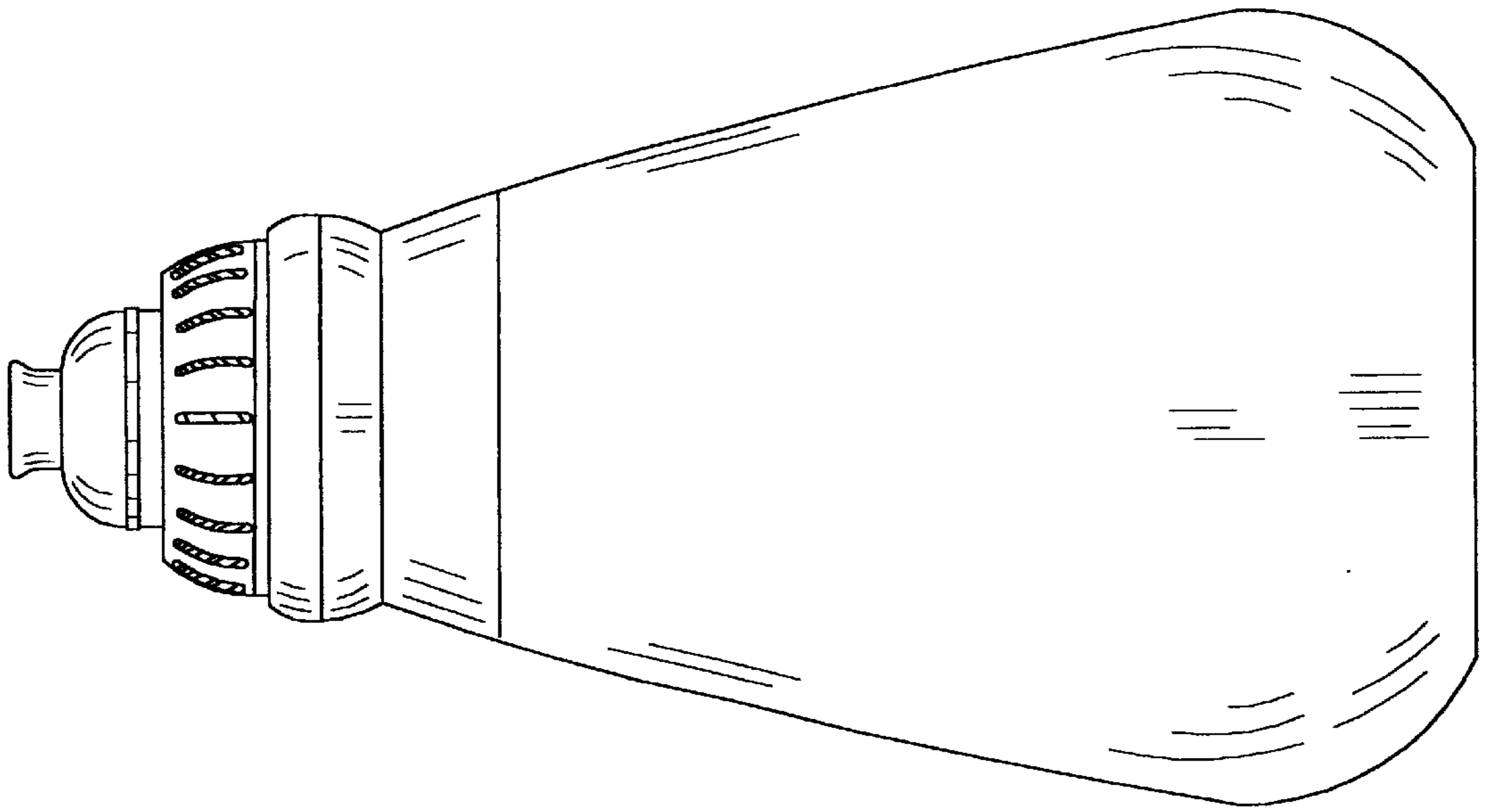


FIG. 10

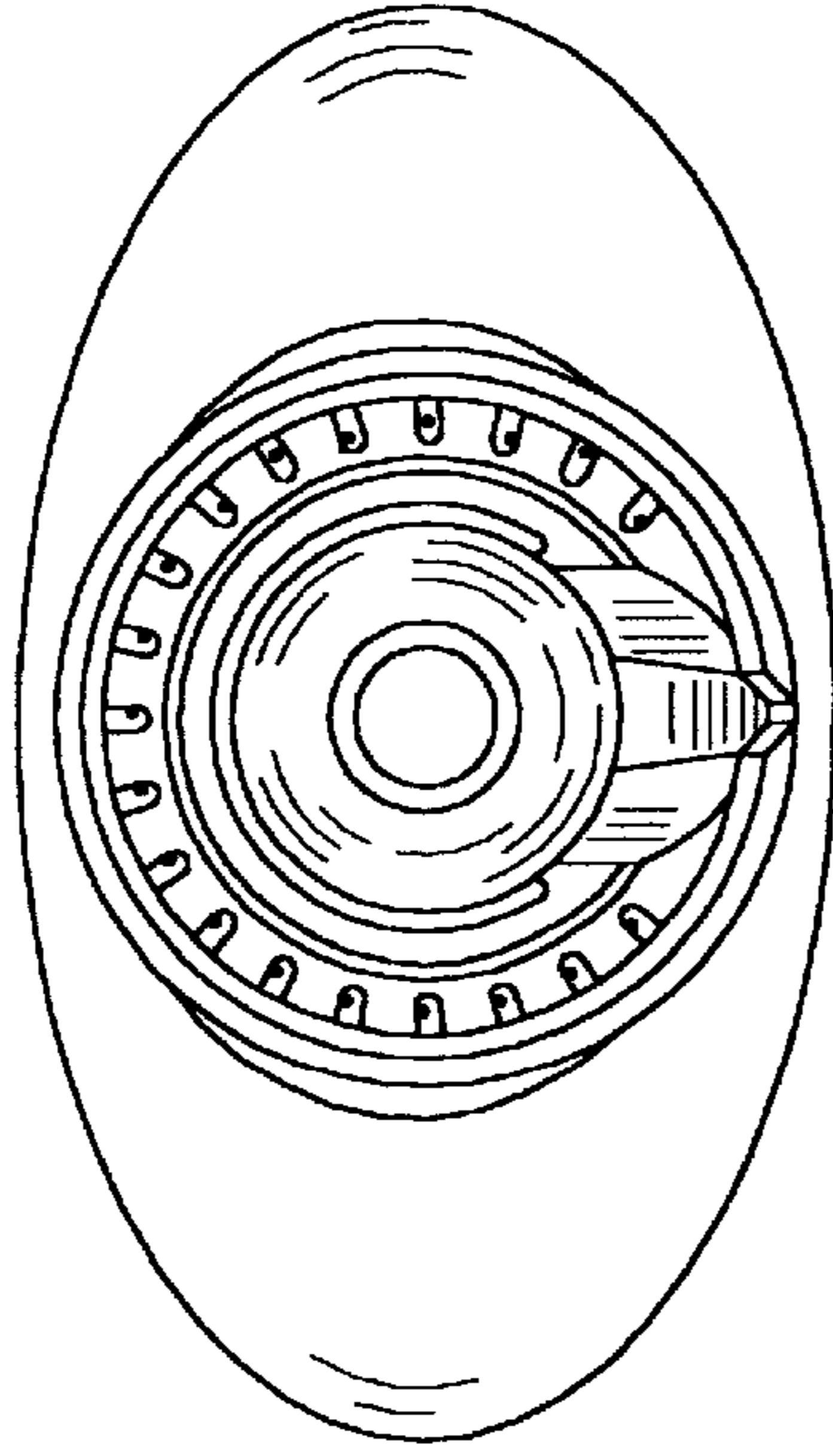


FIG. 11

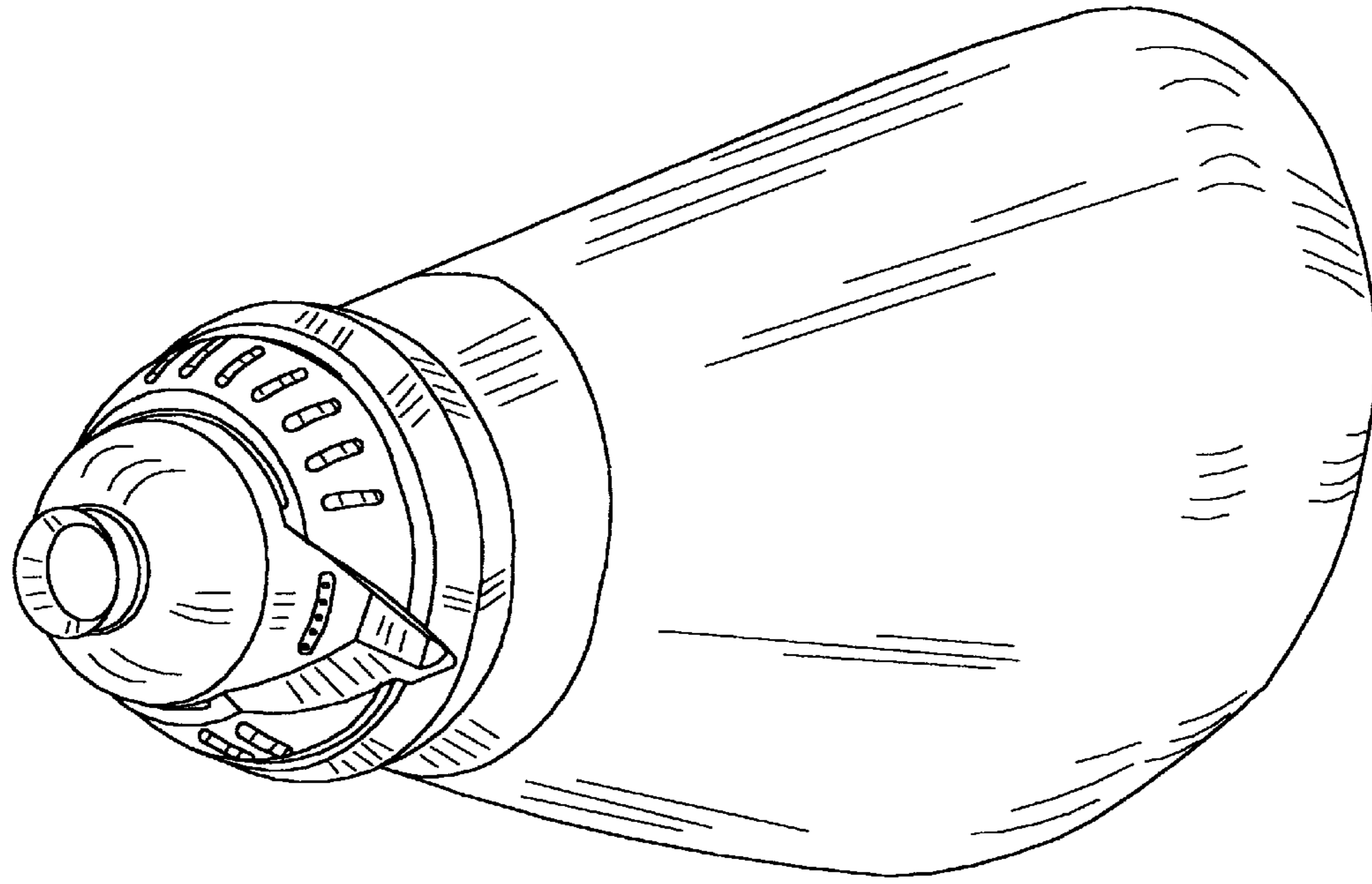


FIG. 12

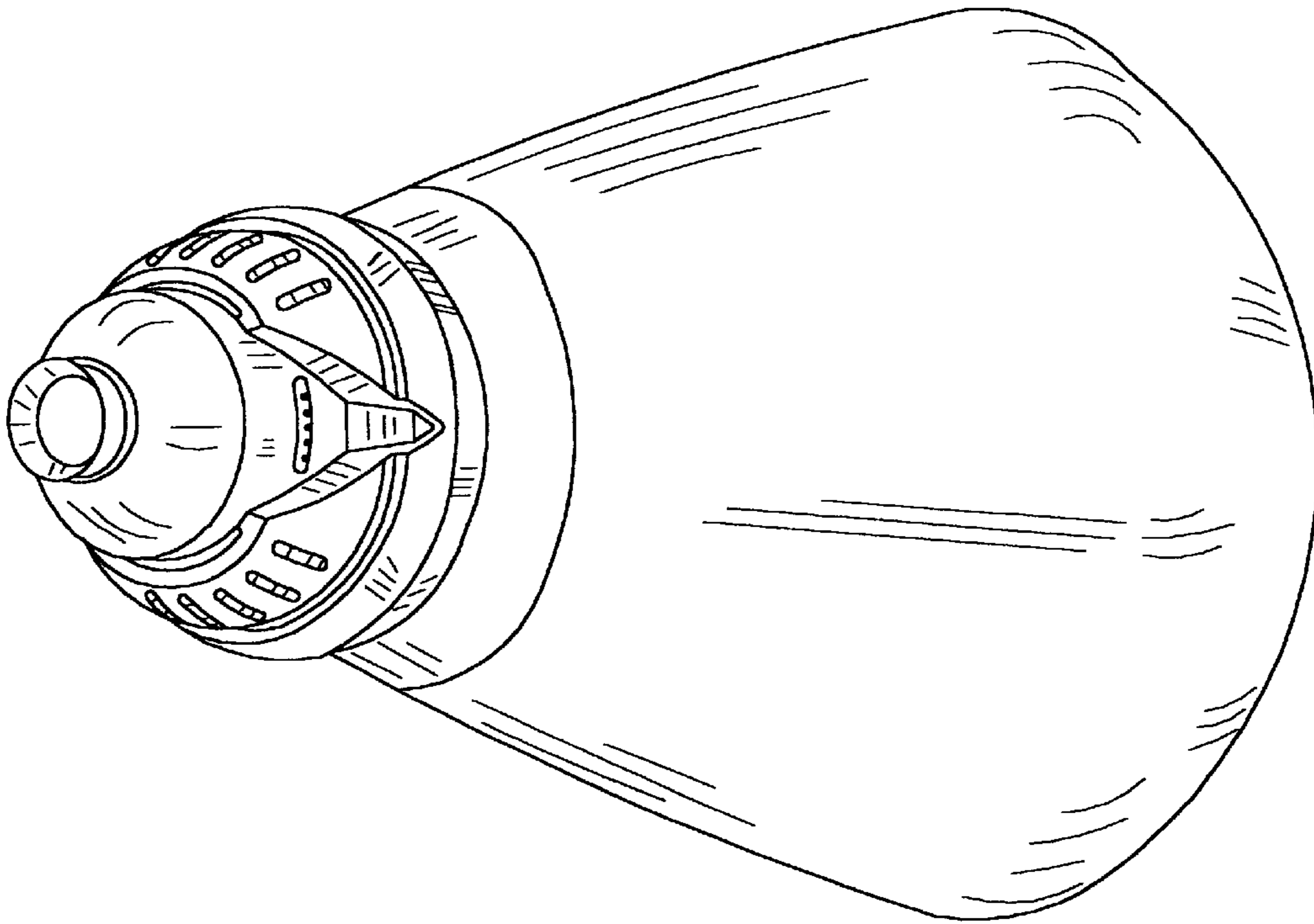


FIG. 13